



US00D486062S

(12) **United States Design Patent**  
**Huang**

(10) **Patent No.:** **US D486,062 S**

(45) **Date of Patent:** **\*\* Feb. 3, 2004**

(54) **LOTION BOTTLE**

D372,859 S \* 8/1996 Lathrop et al. .... D9/300  
D470,750 S \* 2/2003 Yang ..... D9/300

(76) Inventor: **Ching-An Huang**, 3F, No. 6, Alley 70,  
Lane 113, Tung Hu Rd., Nei Hu(114),  
Taipei (TW)

\* cited by examiner

(\*\*) Term: **14 Years**

*Primary Examiner*—Paula A. Mortimer  
(74) *Attorney, Agent, or Firm*—Troxell Law Office PLLC

(21) Appl. No.: **29/174,243**

(57) **CLAIM**

(22) Filed: **Jan. 15, 2003**

The ornamental design lotion bottle, as shown and described.

(51) **LOC (7) Cl.** ..... **09-01**

**DESCRIPTION**

(52) **U.S. Cl.** ..... **D9/300**

(58) **Field of Search** ..... D9/300, 301, 341,  
D9/448, 573, 569, 520; D28/91.1, 76; 215/370,  
382, 383, 384, 396, 398

FIG. 1 is a perspective view of a lotion bottle showing my new design;

FIG. 2 is a side elevation view thereof;

FIG. 3 is a topside elevation view thereof;

FIG. 4 is a front elevation view thereof;

FIG. 5 is a bottom plan view thereof;

FIG. 6 is an elevation view of side opposite to FIG. 2; and,

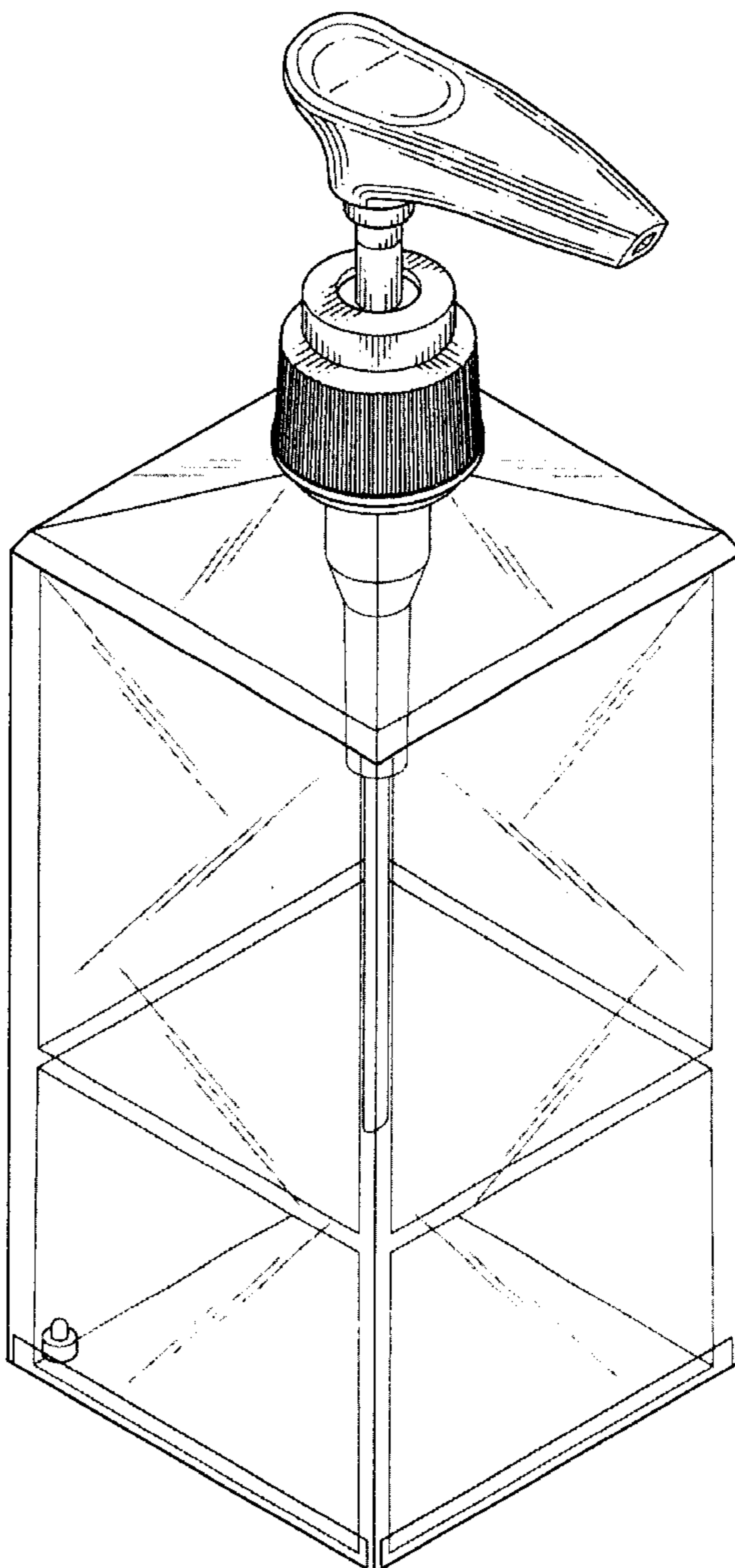
FIG. 7 is a rear elevation view thereof.

(56) **References Cited**

**U.S. PATENT DOCUMENTS**

D275,933 S \* 10/1984 Topor et al. .... D9/300  
D368,023 S \* 3/1996 Leung ..... D9/300

**1 Claim, 4 Drawing Sheets**



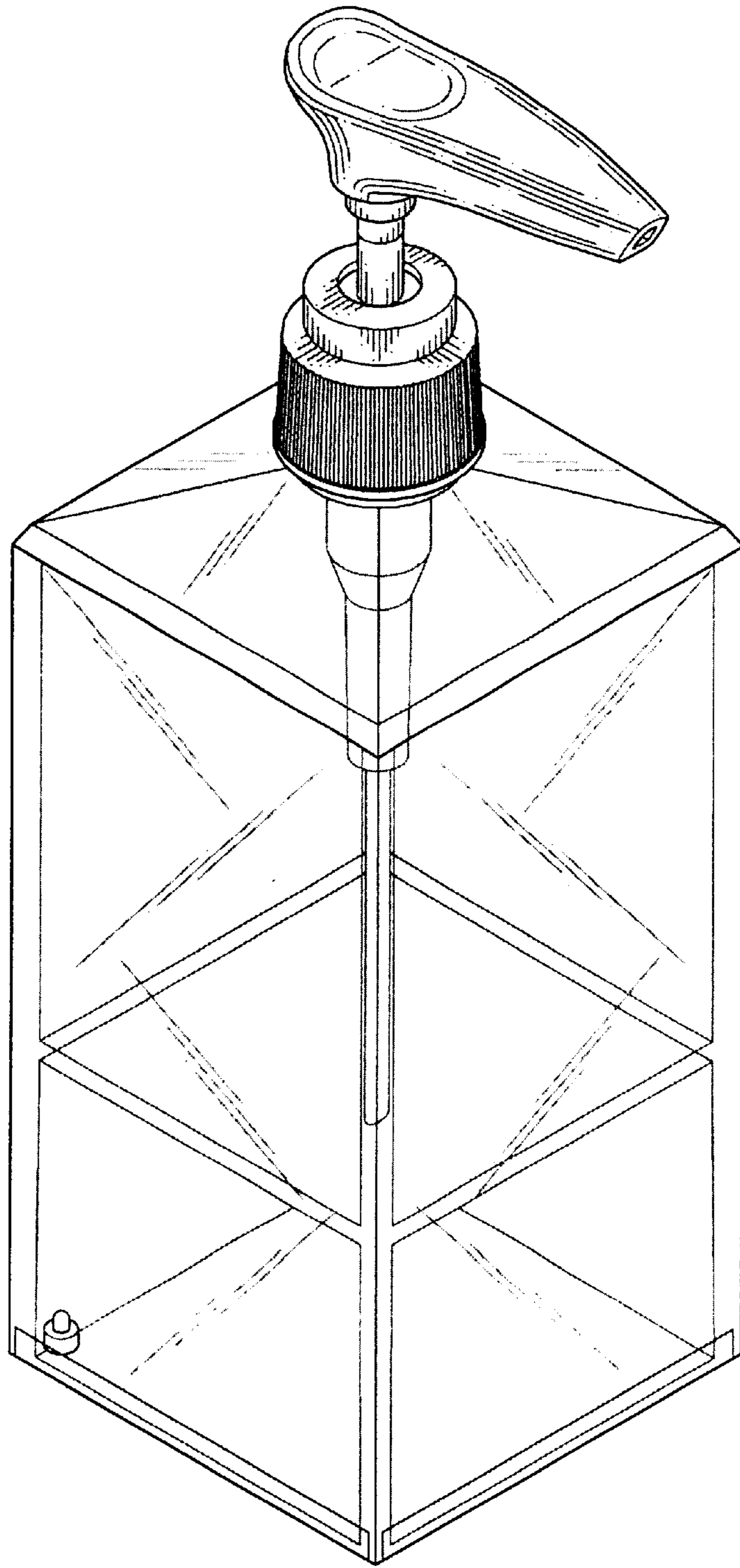


FIG. 1

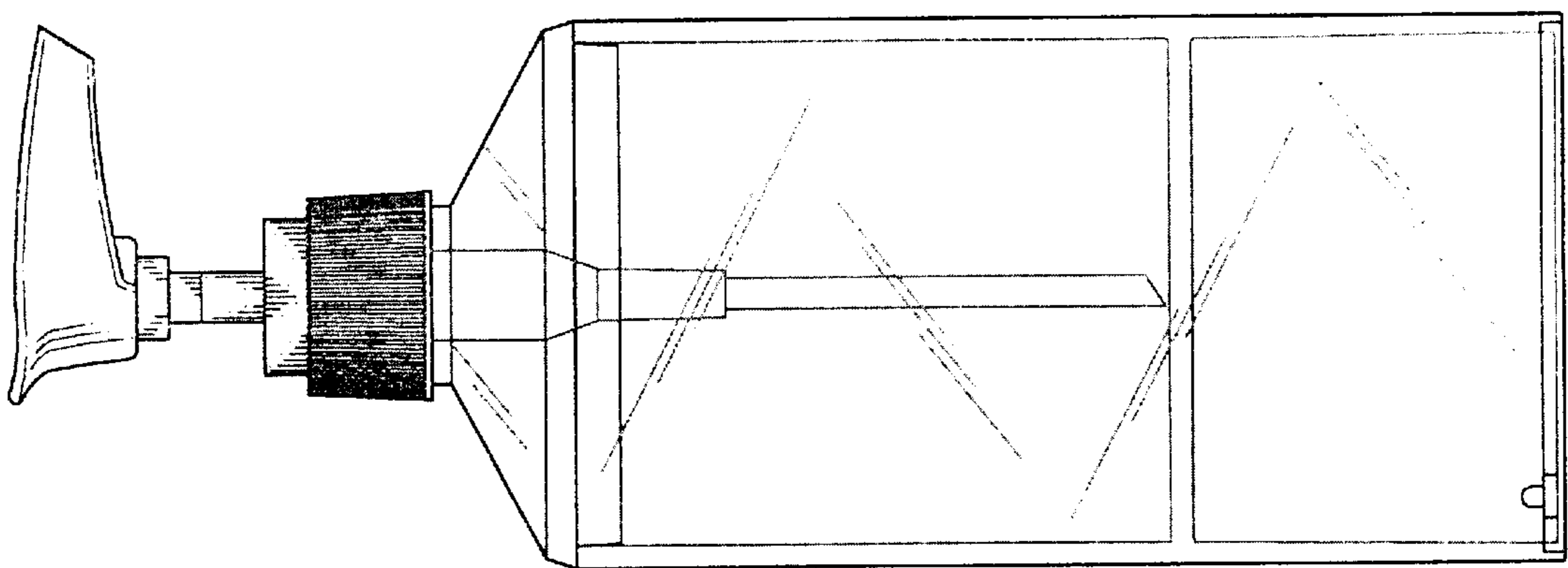


FIG. 2

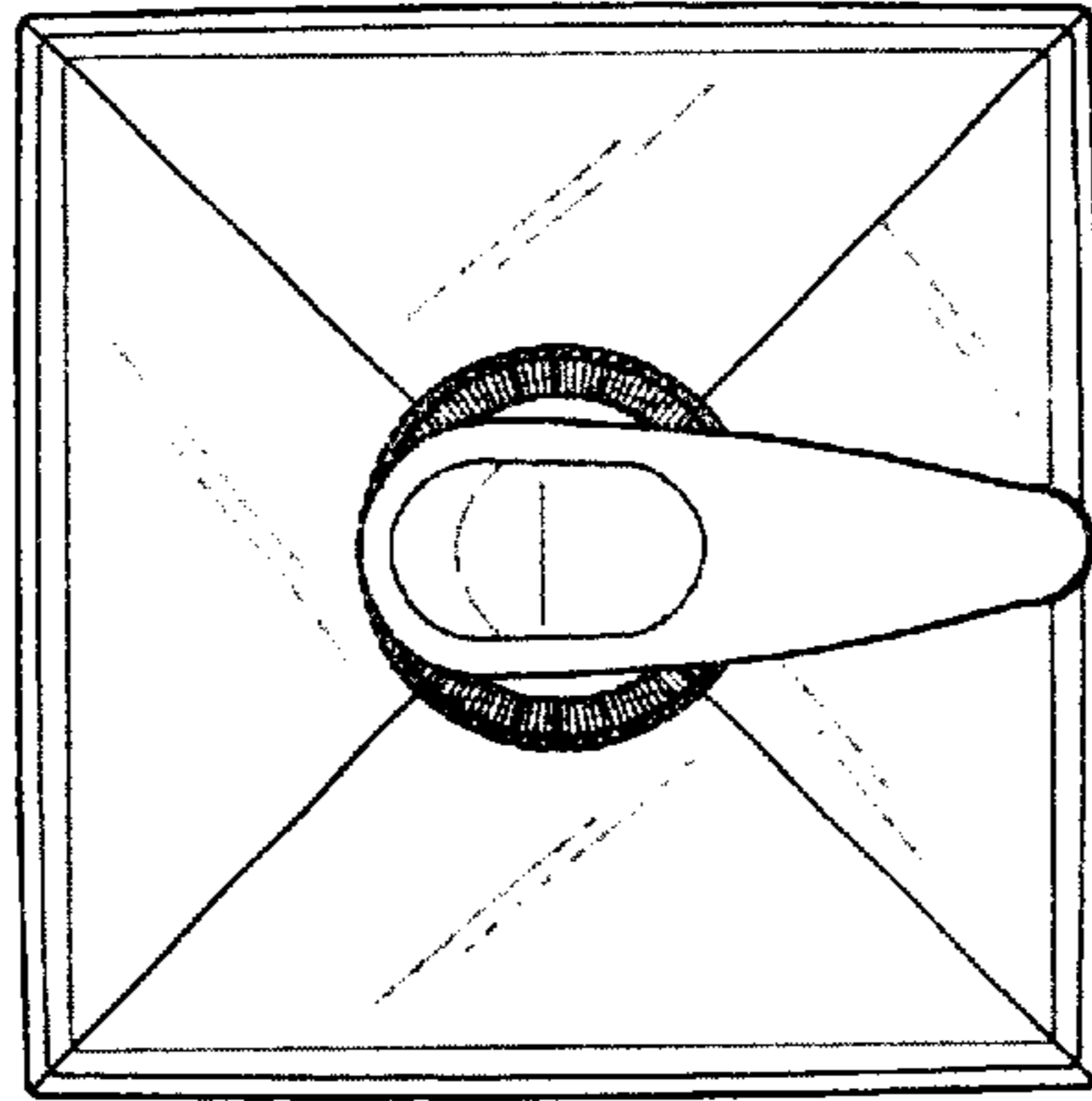


FIG. 3

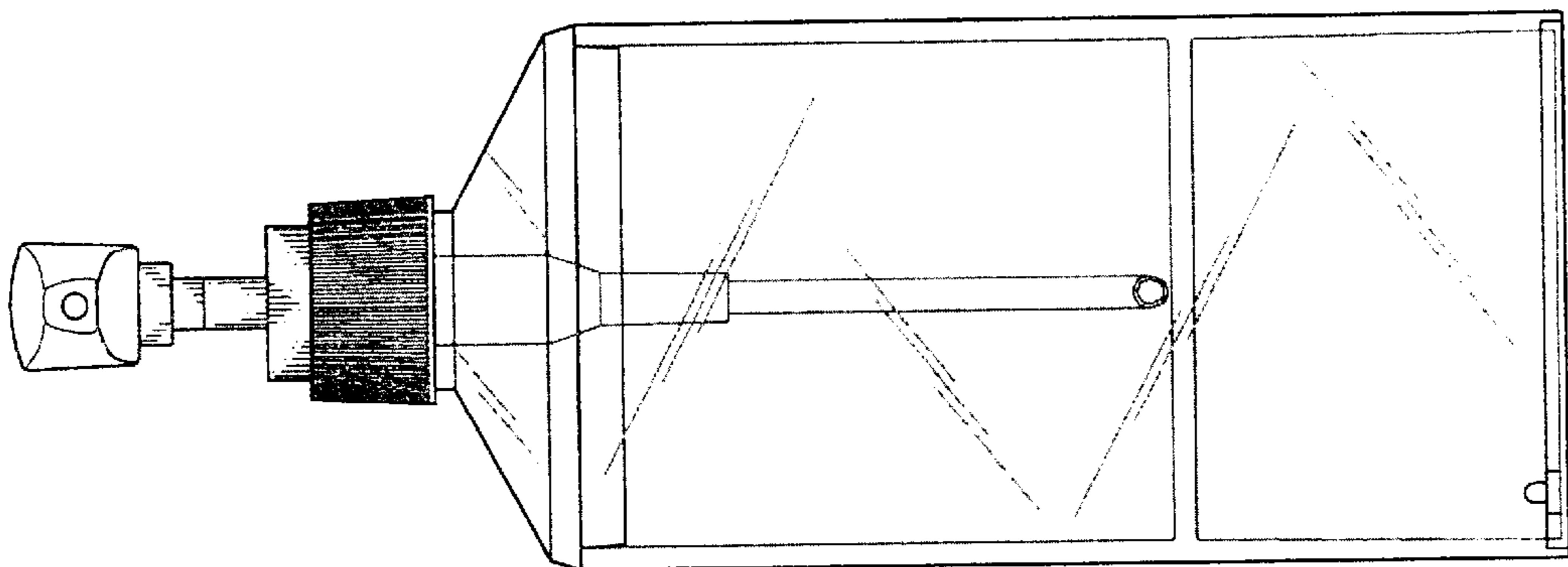


FIG. 4

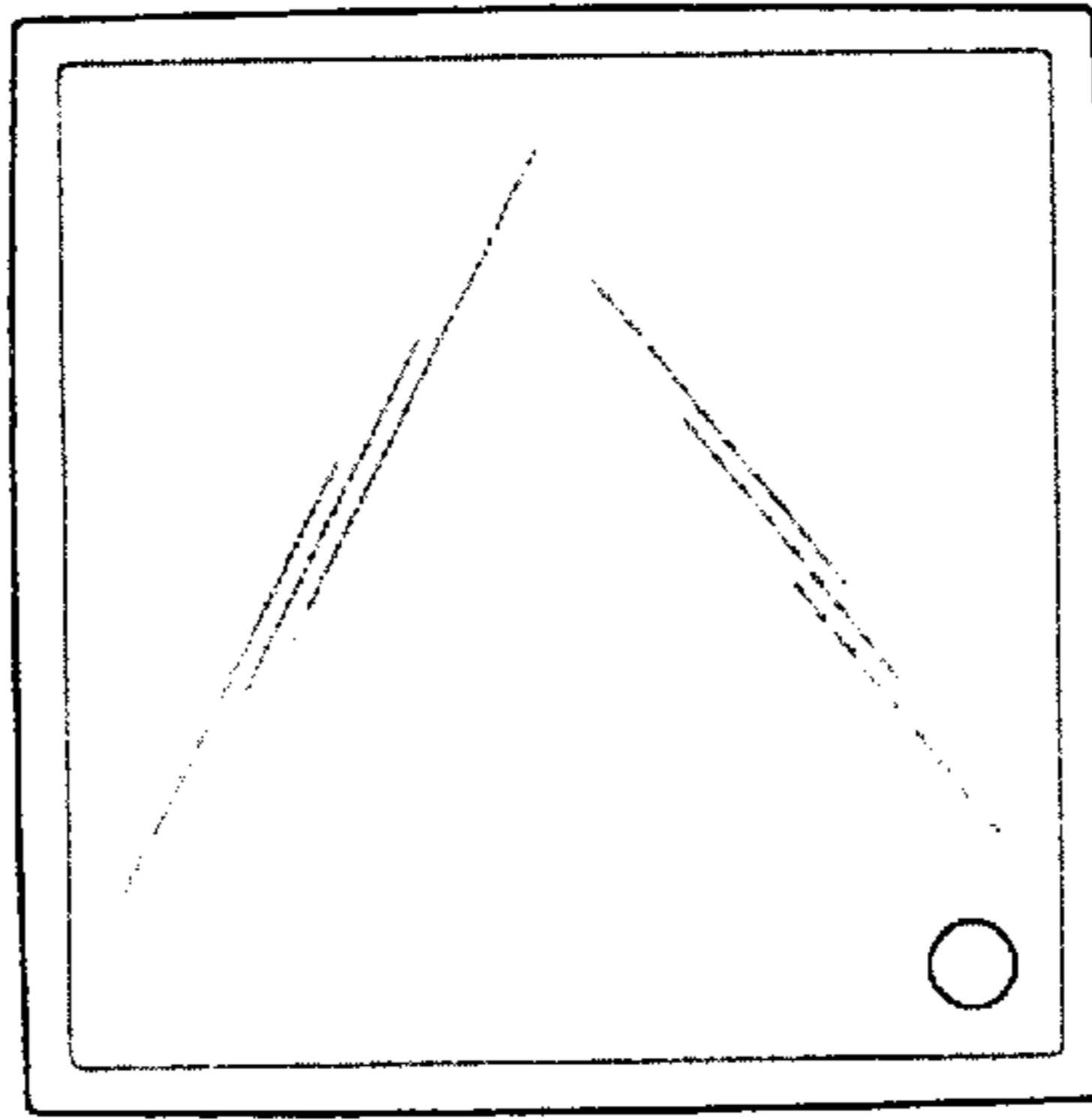


FIG. 5

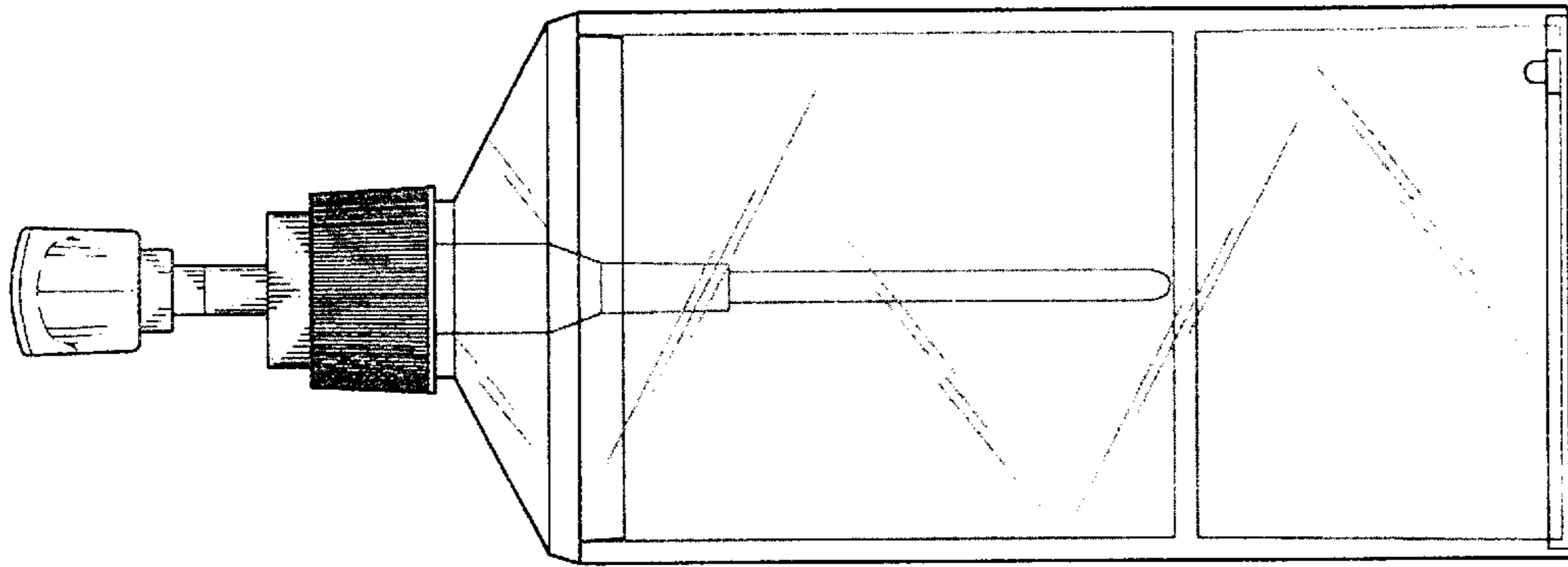


FIG. 6

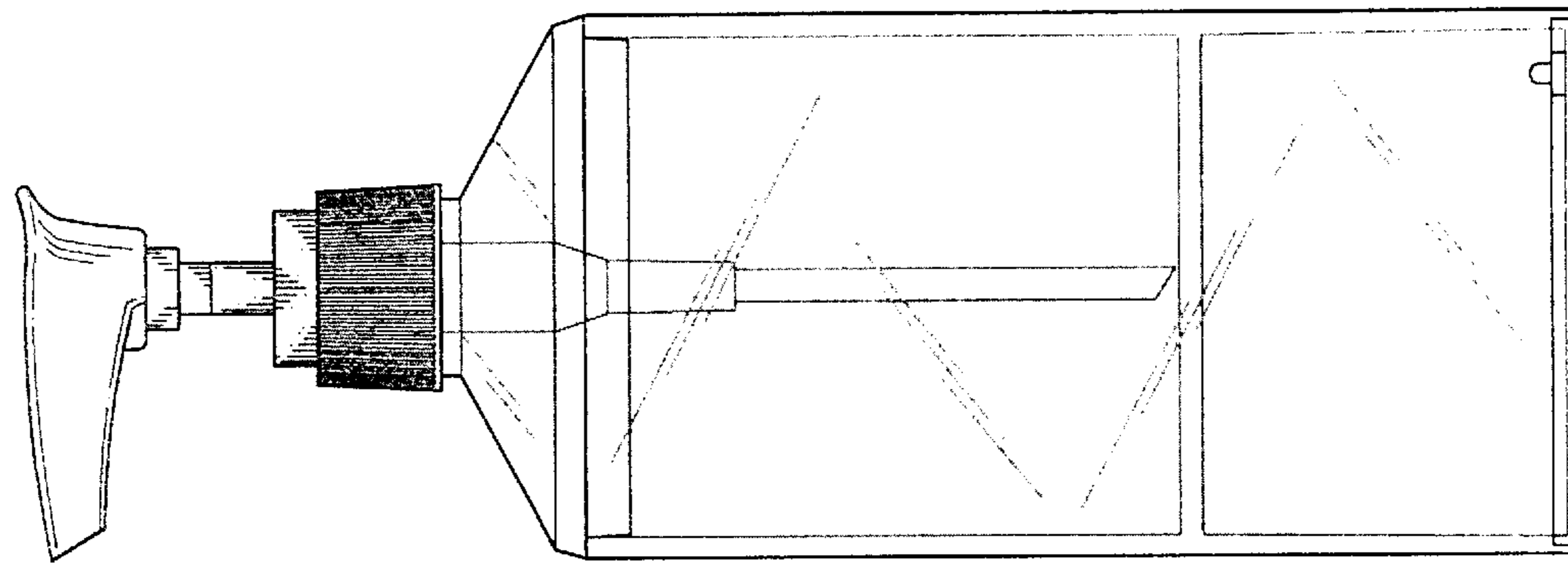


FIG. 7