



US00D486061S

(12) **United States Design Patent**
Mullins et al.

(10) **Patent No.:** **US D486,061 S**
(45) **Date of Patent:** **** Feb. 3, 2004**

(54) **NON SLIP INSERT FOR A COT LEG OR OTHER STRUCTURE**

(75) Inventors: **Michael Mullins**, St. Charles County, MO (US); **Michael A. Richter**, St. Louis County, MO (US); **Dale E. Emge**, St. Charles County, MO (US)

(73) Assignee: **The Children's Factory Inc.**, Kirkwood, MO (US)

(**) Term: **14 Years**

(21) Appl. No.: **29/173,718**

(22) Filed: **Jan. 6, 2003**

(51) **LOC (7) Cl.** **08-09**

(52) **U.S. Cl.** **D8/400**

(58) **Field of Search** D8/400, 402, 499; D6/495; 248/188, 188.1, 188.2, 188.3, 188.4, 188.5, 188.9

(56) **References Cited**

U.S. PATENT DOCUMENTS

1,820,284	A	8/1931	Mills	
1,820,285	A	8/1931	Mills	
2,852,883	A *	9/1958	Walsh	248/188.9
2,916,239	A	12/1959	Stopps	
2,924,830	A	2/1960	De Long	
2,935,813	A *	5/1960	Berman et al.	248/188.2
3,342,445	A *	9/1967	Bouwkamp	248/188.9

3,720,978	A	3/1973	Miller, Jr. et al.	
4,078,271	A	3/1978	Tambascio	
4,958,390	A	9/1990	Mendenhall	
5,003,649	A	4/1991	Kelly	
D326,408	S *	5/1992	Smith	D8/499
5,287,595	A	2/1994	Stevens, Jr.	
5,647,286	A *	7/1997	Dunn	248/188.2 X
D382,426	S *	8/1997	Frederick	D6/495
5,960,739	A	10/1999	Storm	
D427,461	S *	7/2000	Burns et al.	D6/495
6,345,400	B2	2/2002	Elliott et al.	
D460,681	S *	7/2002	Edwards	D6/495 X

* cited by examiner

Primary Examiner—Brian N. Vinson

(74) *Attorney, Agent, or Firm*—Paul M. Denk

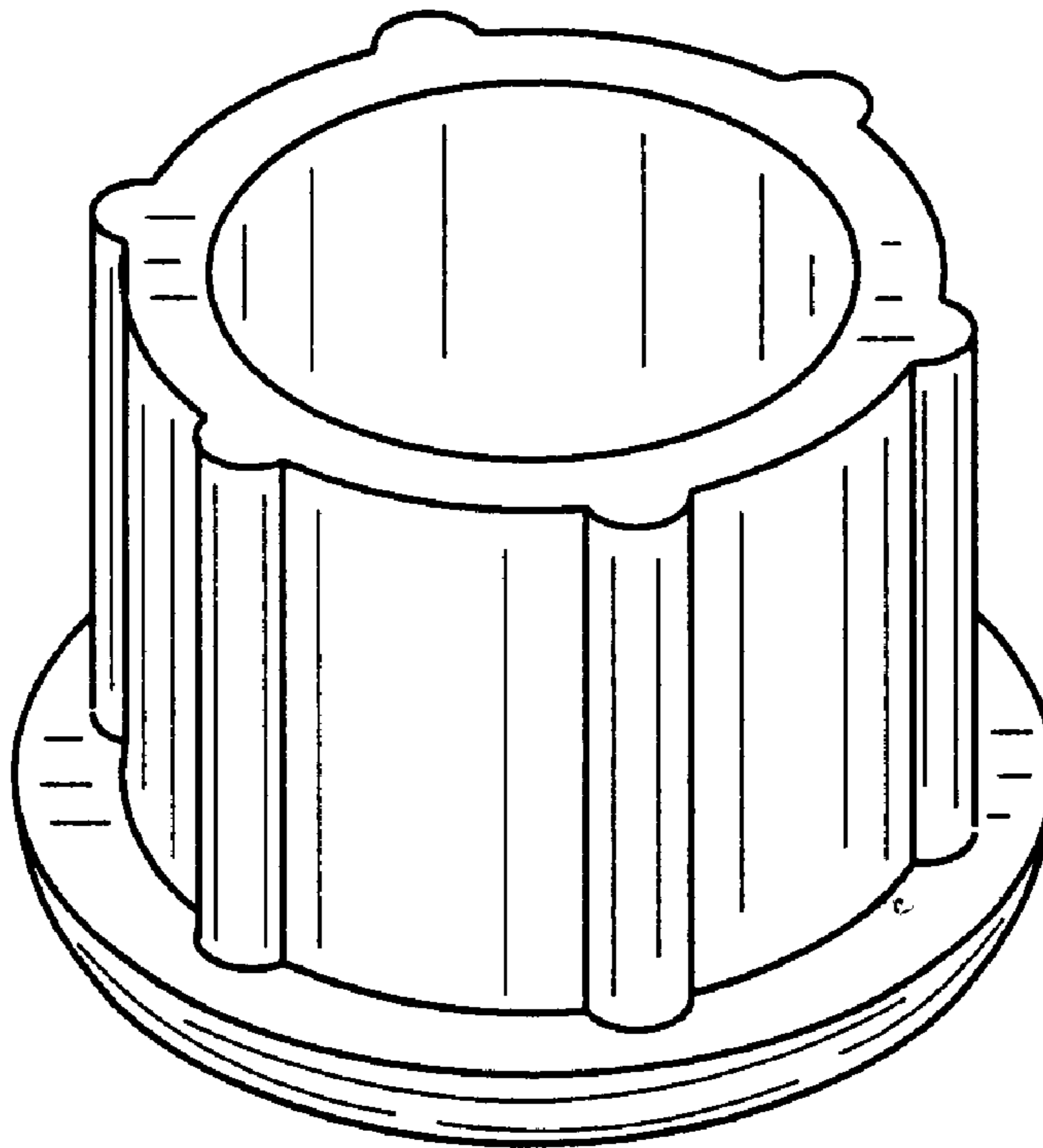
(57) **CLAIM**

The ornamental design for a non slip insert for a cot leg or other structure, as shown and described.

DESCRIPTION

FIG. 1 is an oblate view of the non slip for insert for cot leg or other structure of this invention;
FIG. 2 is a front view thereof, the rear view being a mere image thereof;
FIG. 3 is a right side view, the left side view being a mirror image thereof;
FIG. 4 is a top plan view; and,
FIG. 5 is a bottom view.

1 Claim, 1 Drawing Sheet



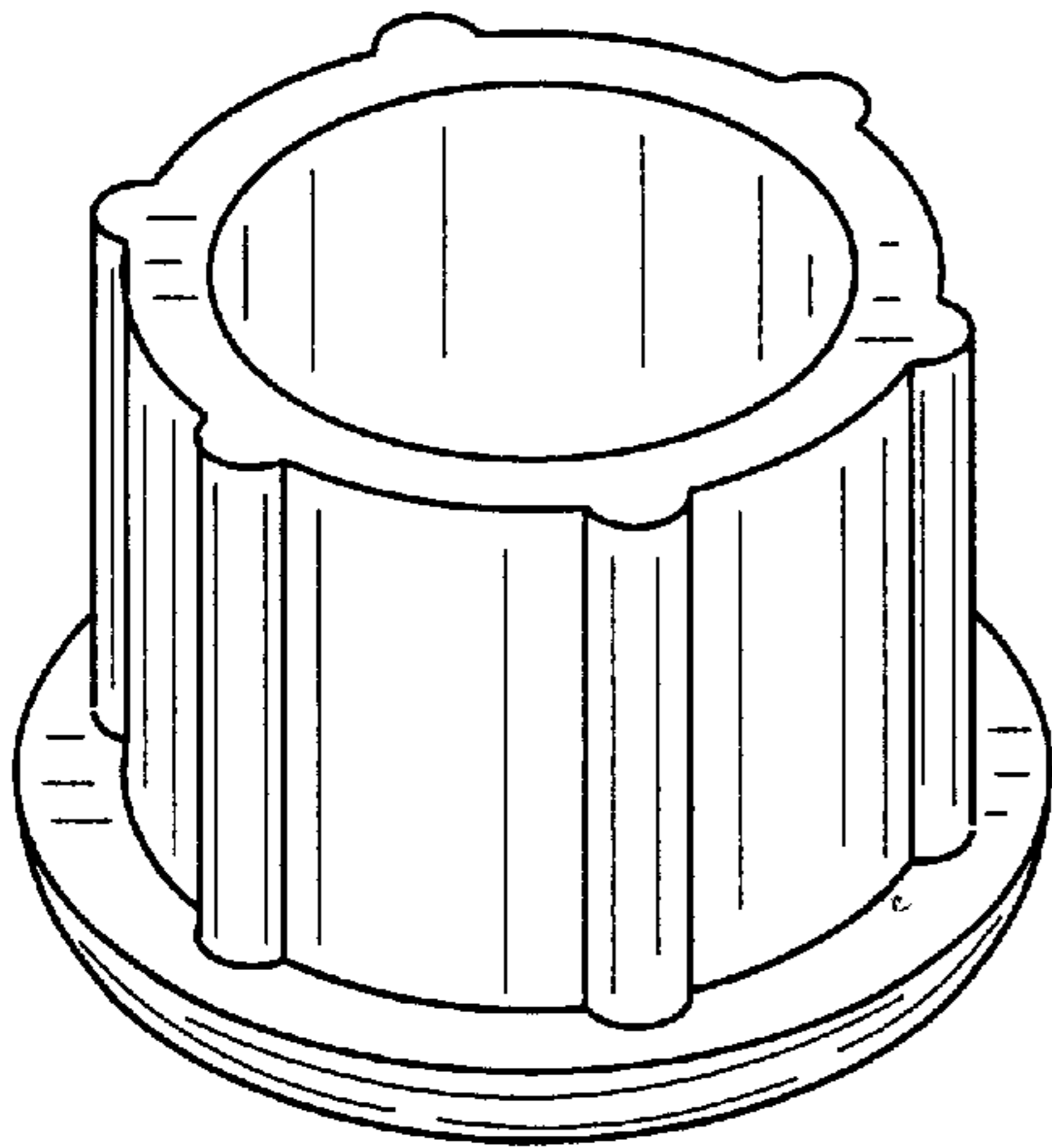


FIG. 1

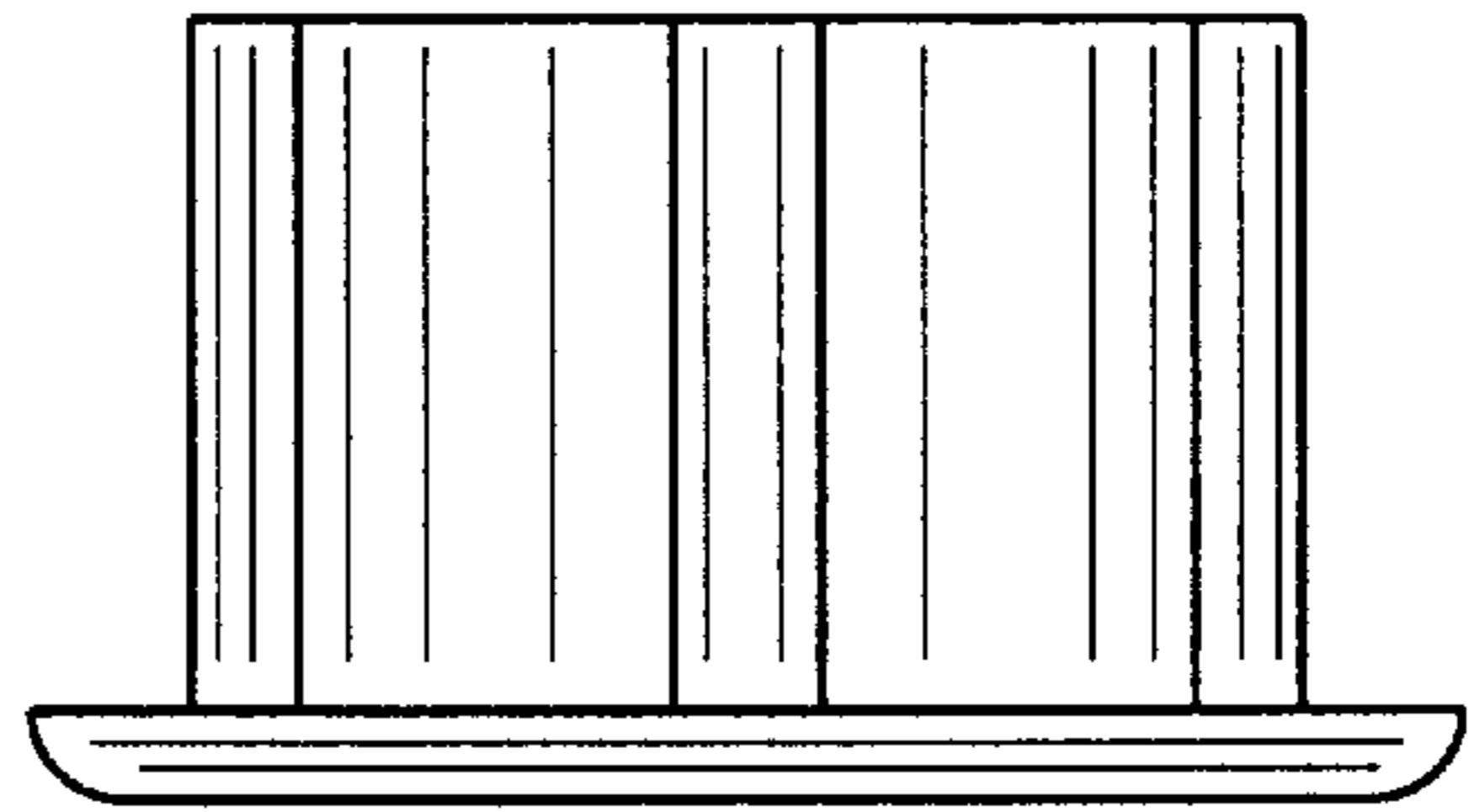


FIG. 2

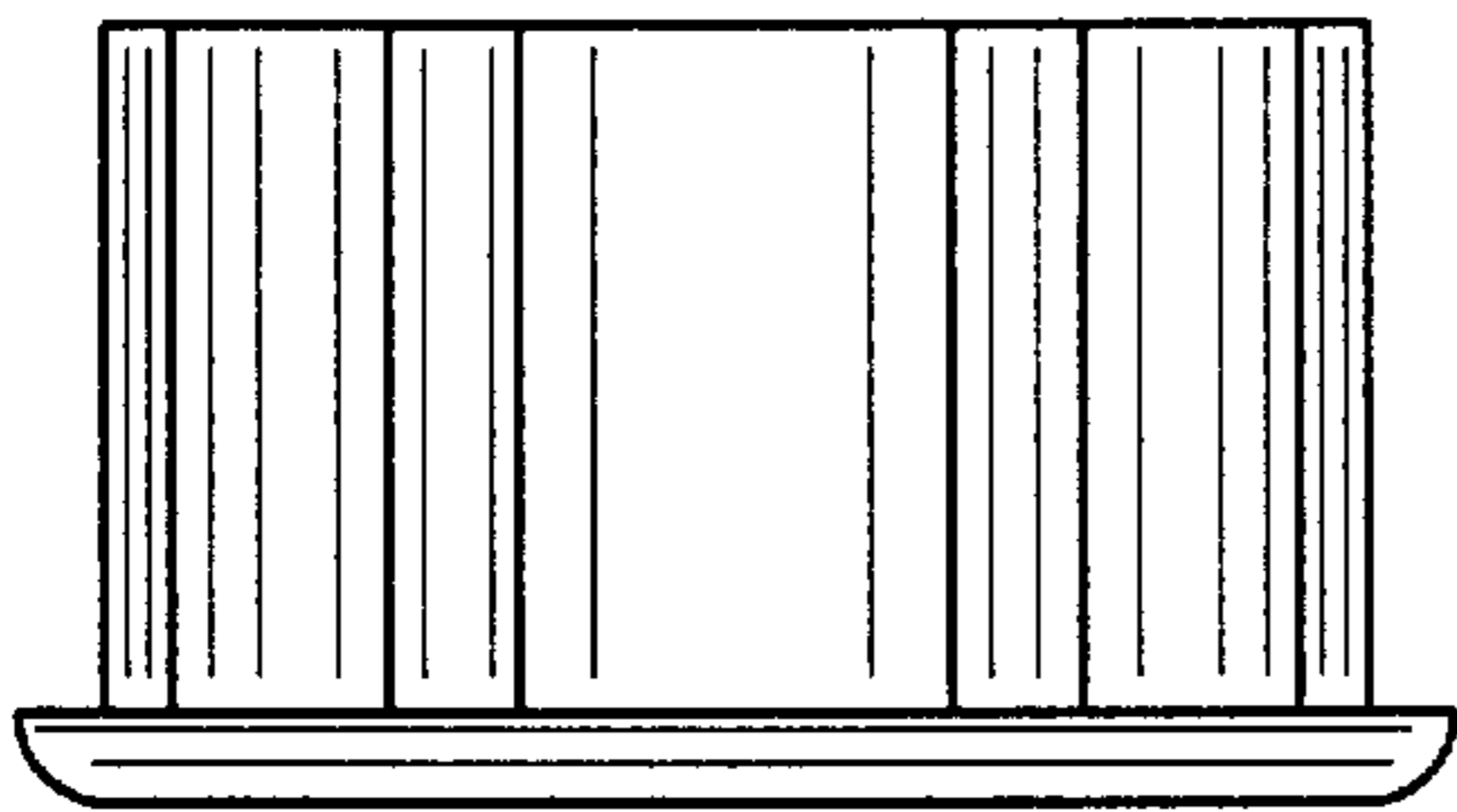


FIG. 3

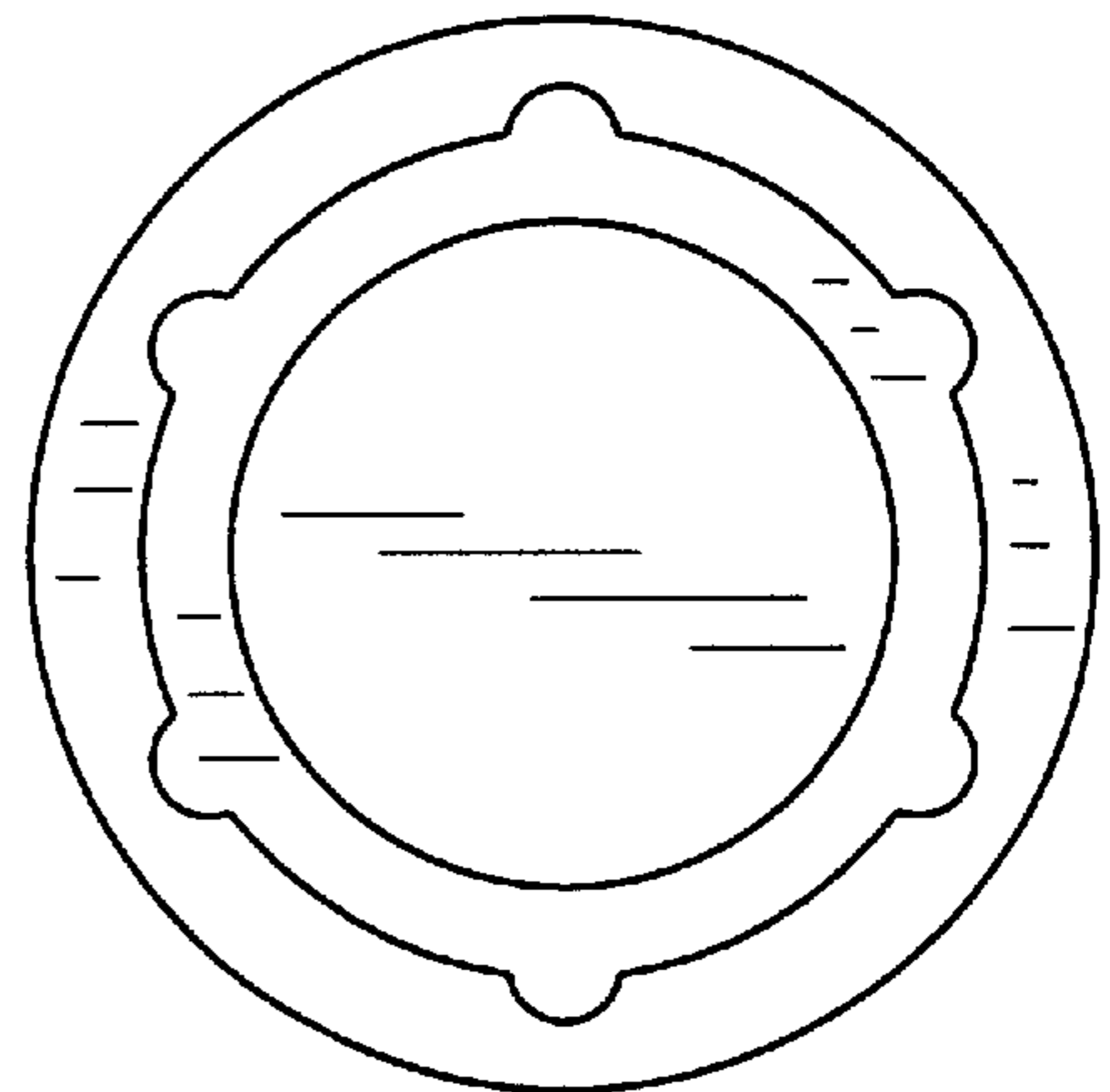


FIG. 4

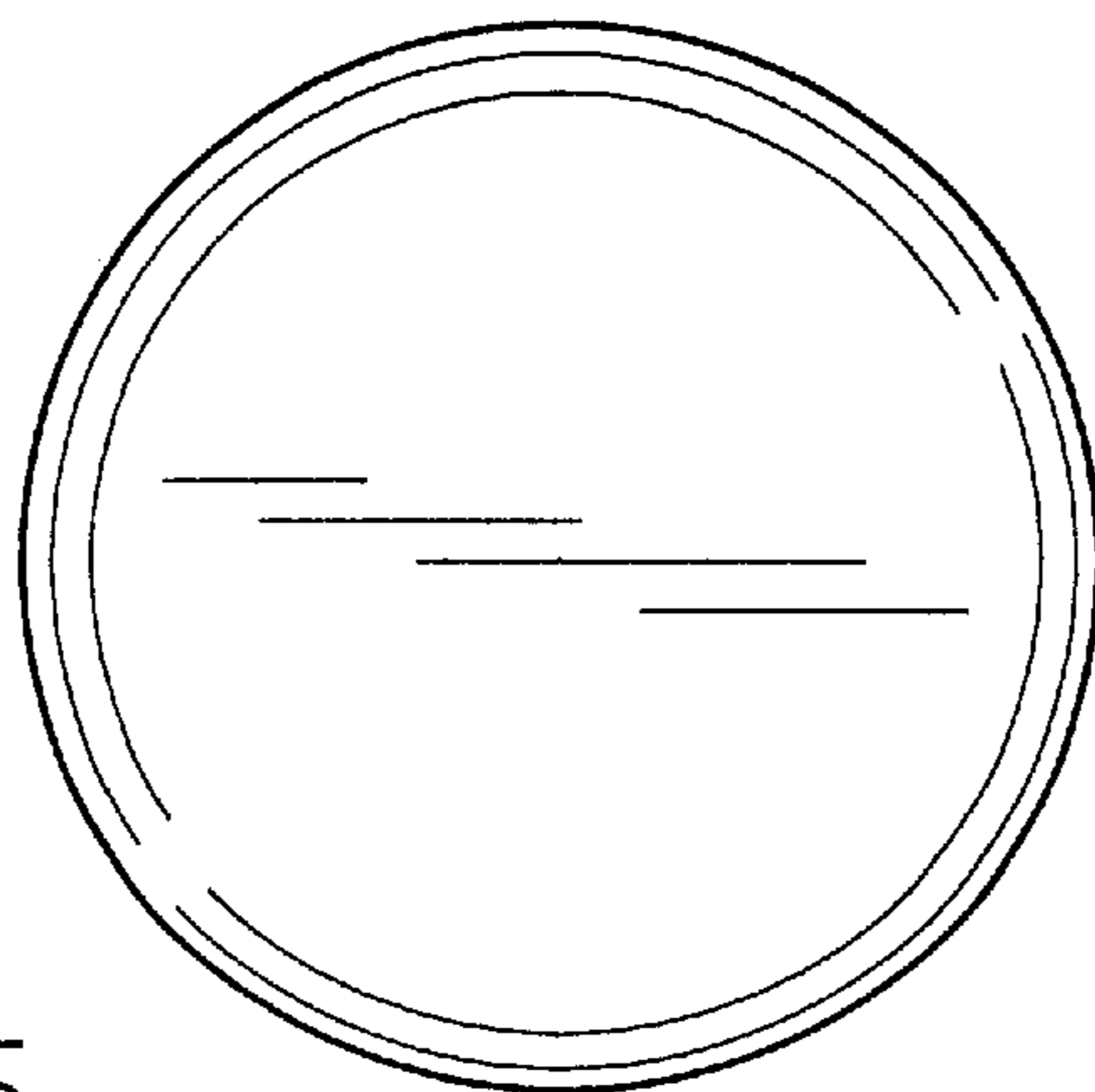


FIG. 5