



US00D486057S

(12) **United States Design Patent**
Chen

(10) **Patent No.:** **US D486,057 S**

(45) **Date of Patent:** **** Feb. 3, 2004**

(54) **CUBICAL HOOK**

D436,841 S * 1/2001 Carpenter D8/373

(75) Inventor: **Peter Chen**, West Windsor, NJ (US)

* cited by examiner

(73) Assignee: **Officemate International Corp.**,
Edison, NJ (US)

Primary Examiner—Holly Baynham
(74) *Attorney, Agent, or Firm*—Daniel Kirshner, Esq.

(**) Term: **14 Years**

(57) **CLAIM**

The ornamental design for a cubical hook, as shown.

(21) Appl. No.: **29/183,919**

(22) Filed: **Jun. 13, 2003**

DESCRIPTION

(51) **LOC (7) Cl.** **08-05**

(52) **U.S. Cl.** **D8/367**

(58) **Field of Search** D8/367, 373; 248/301,
248/304; D6/323; D19/65

FIG. 1 is a front prospective view of the cubical hook showing the design;

FIG. 2 is a left side elevational thereof;

FIG. 3 is a right side elevational view thereof;

FIG. 4 is a back plan view thereof;

FIG. 5 is a front plan view thereof;

FIG. 6 is a top elevational view thereof; and,

FIG. 7 is a bottom elevational view thereof.

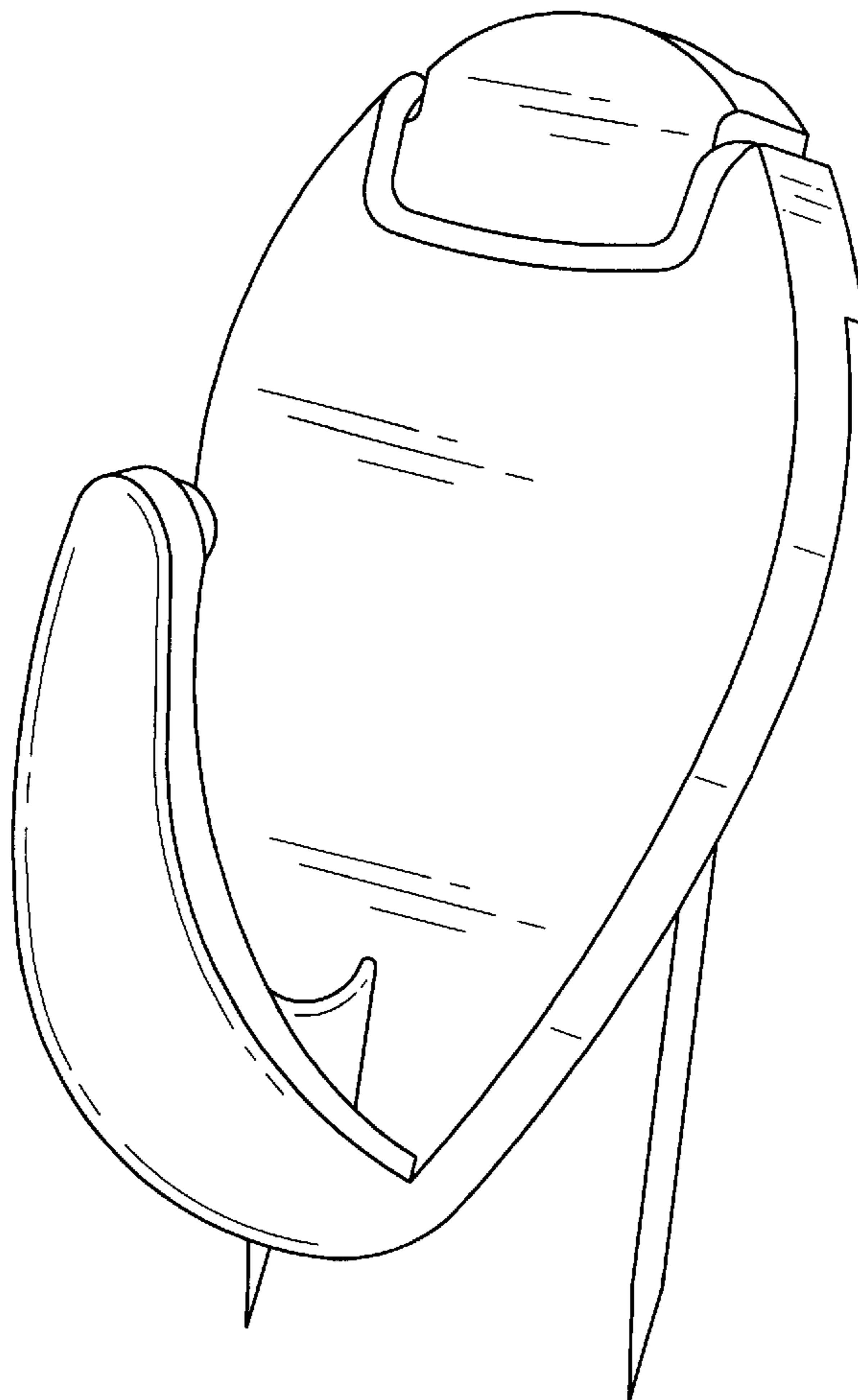
(56) **References Cited**

U.S. PATENT DOCUMENTS

D404,287 S * 1/1999 Hepworth D8/367

D417,385 S * 12/1999 Bries et al. D8/367

1 Claim, 4 Drawing Sheets



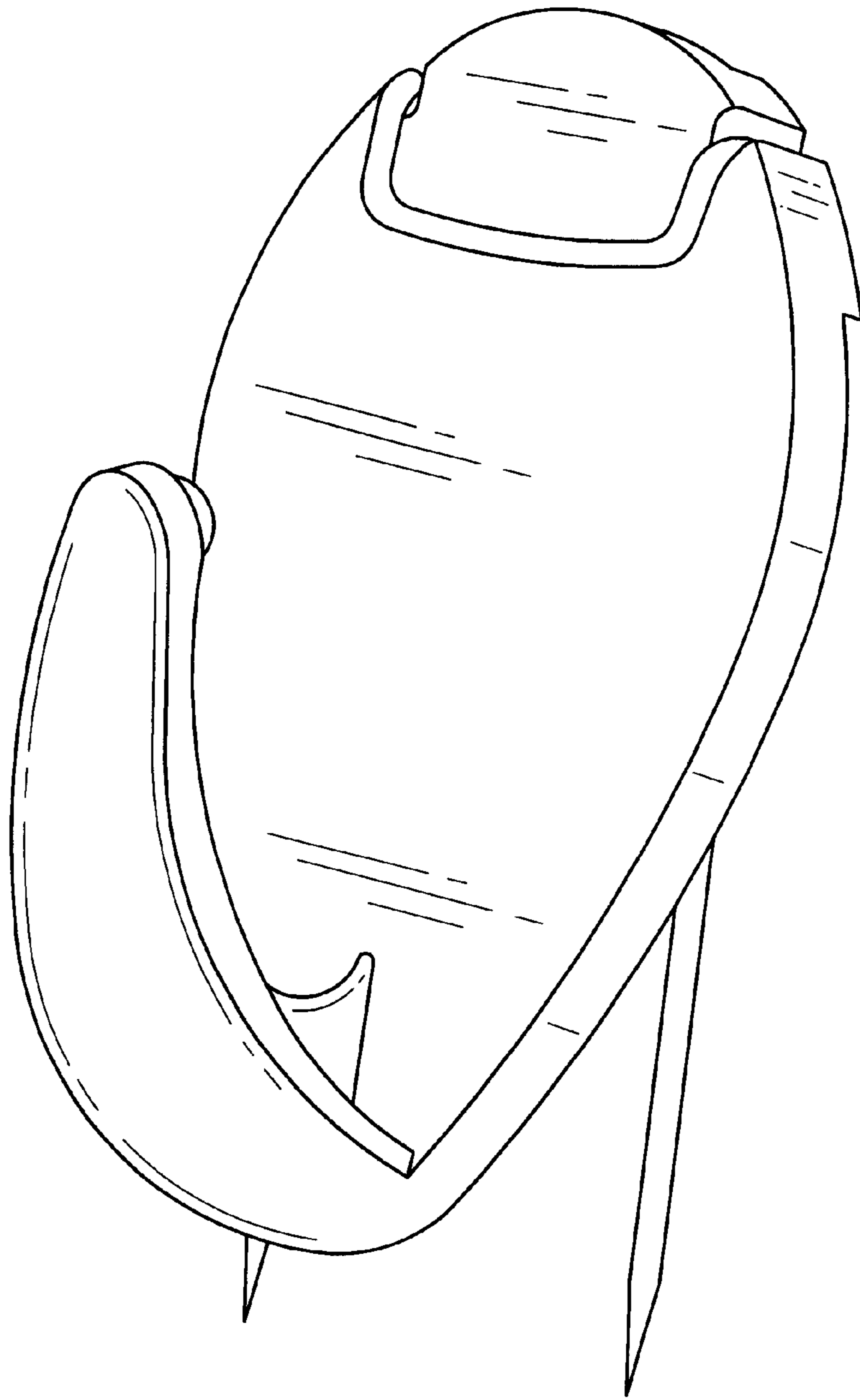


FIG. 1

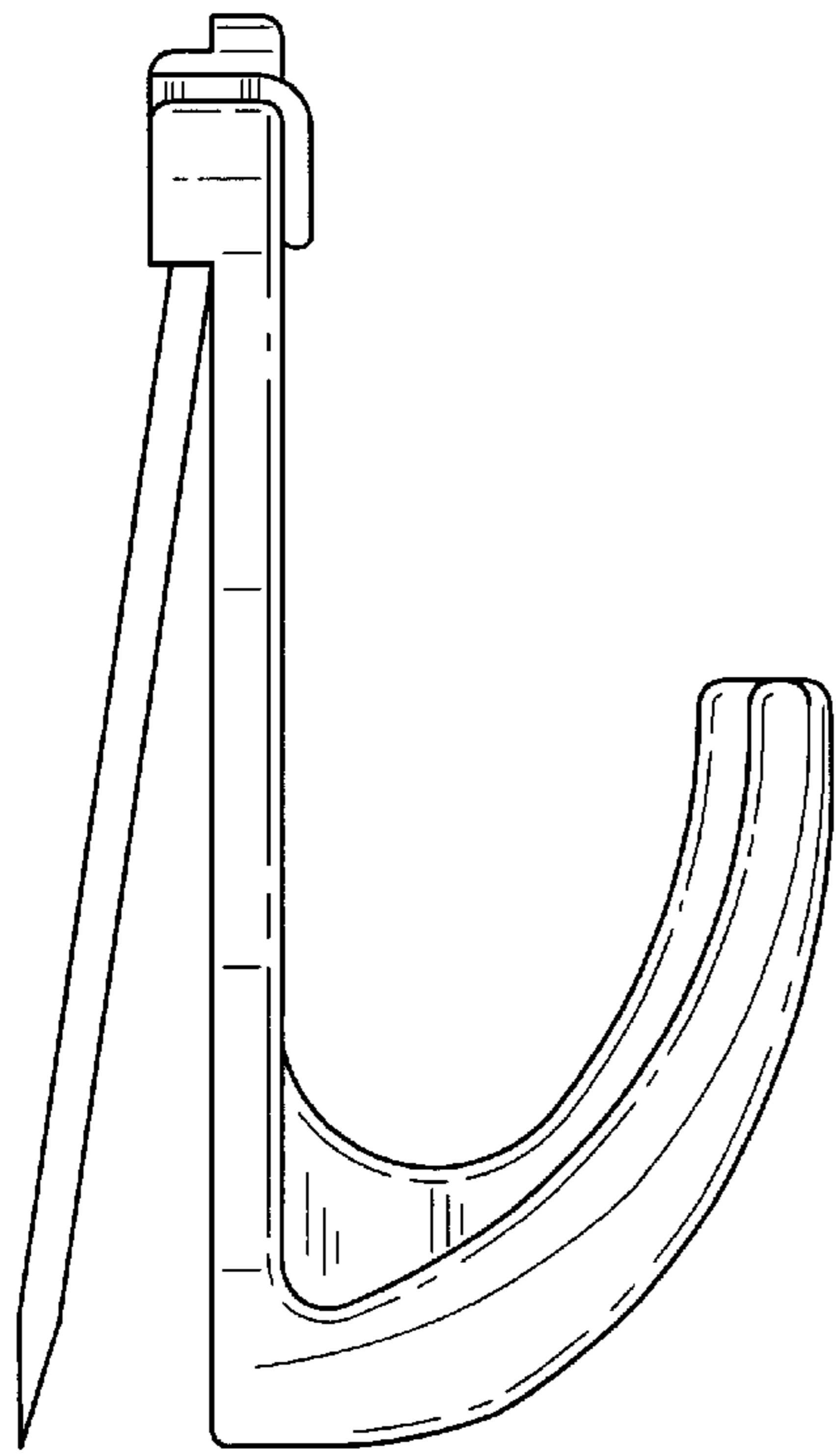


FIG. 2

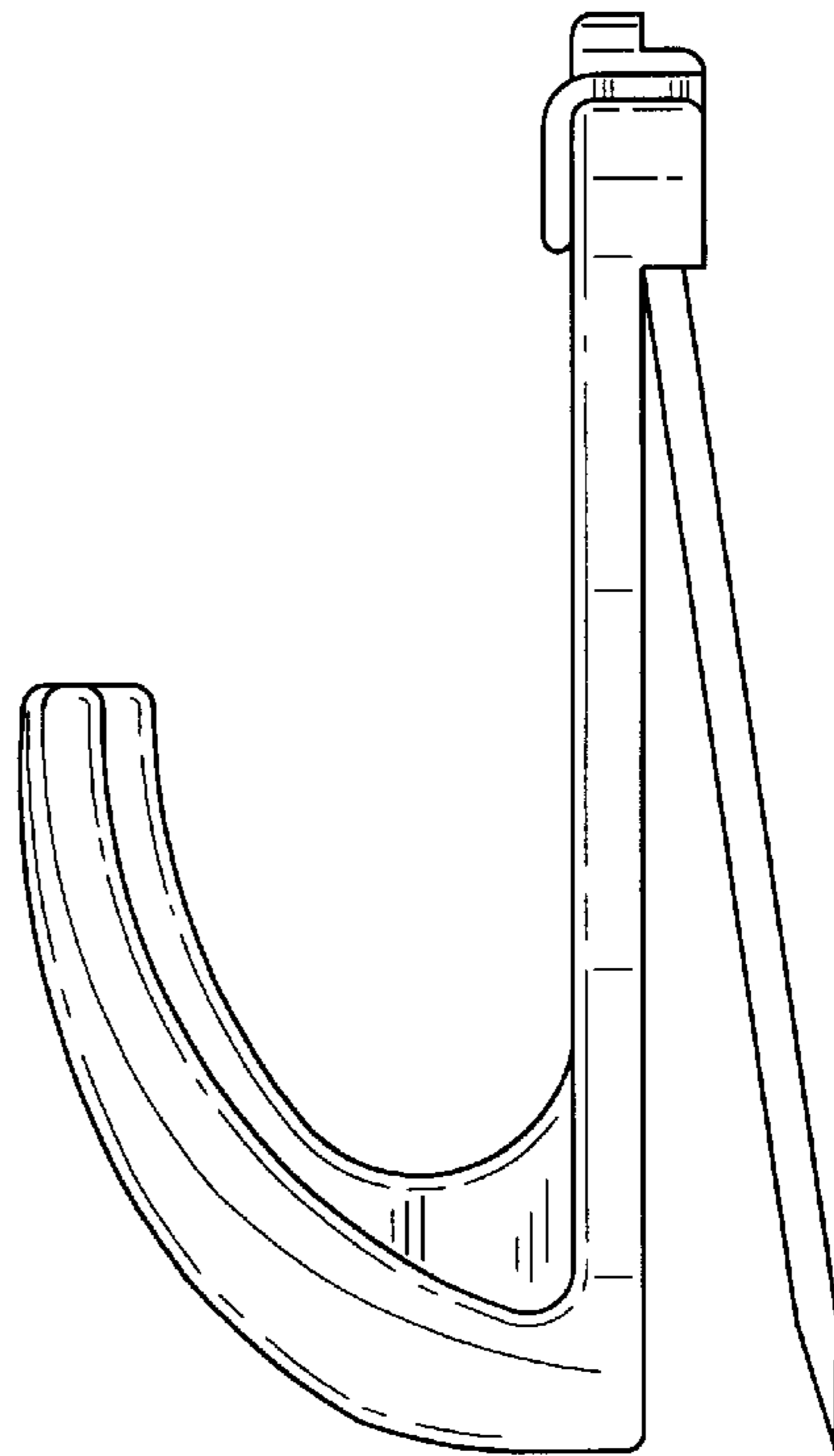


FIG. 3

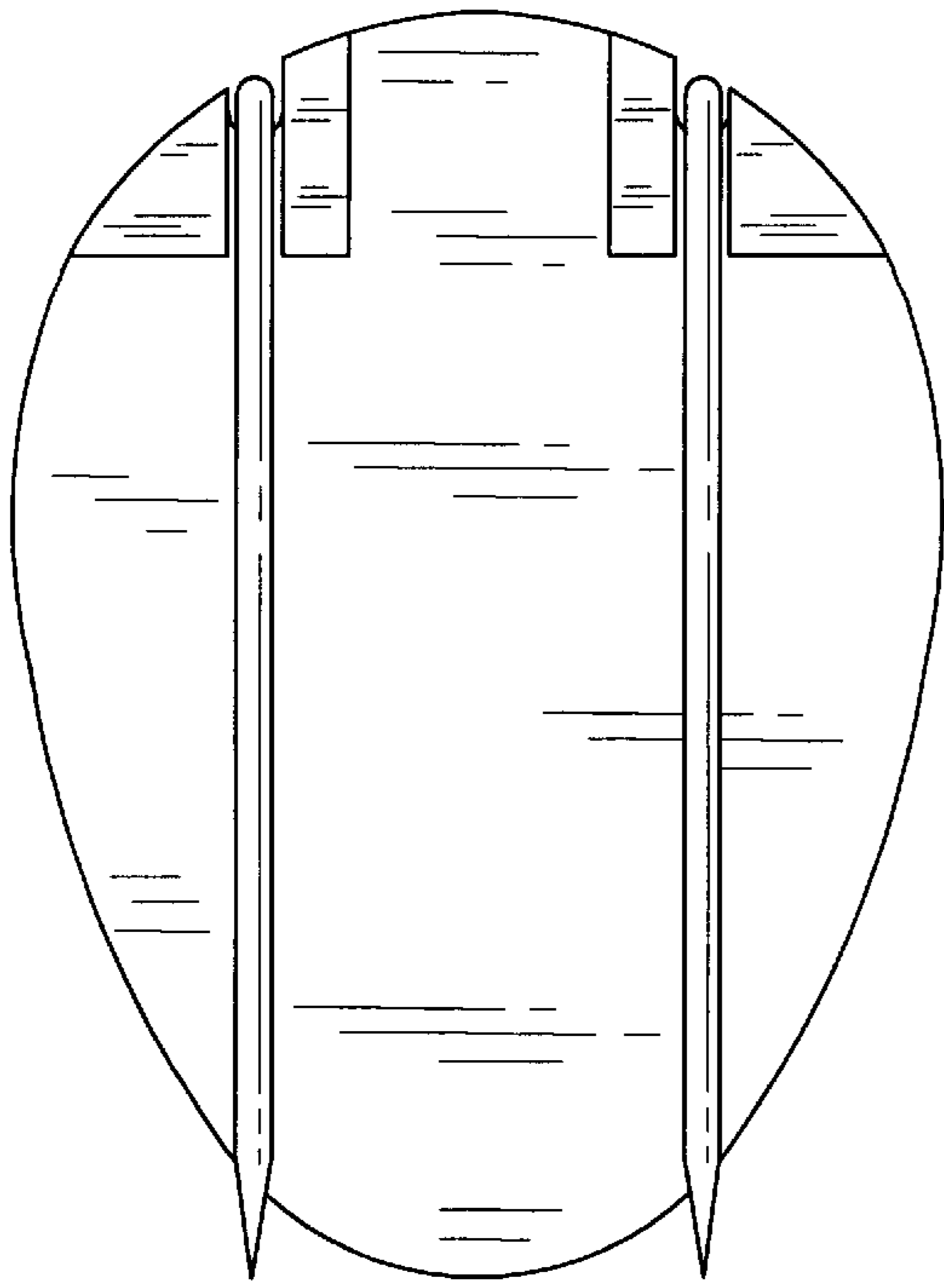


FIG. 4

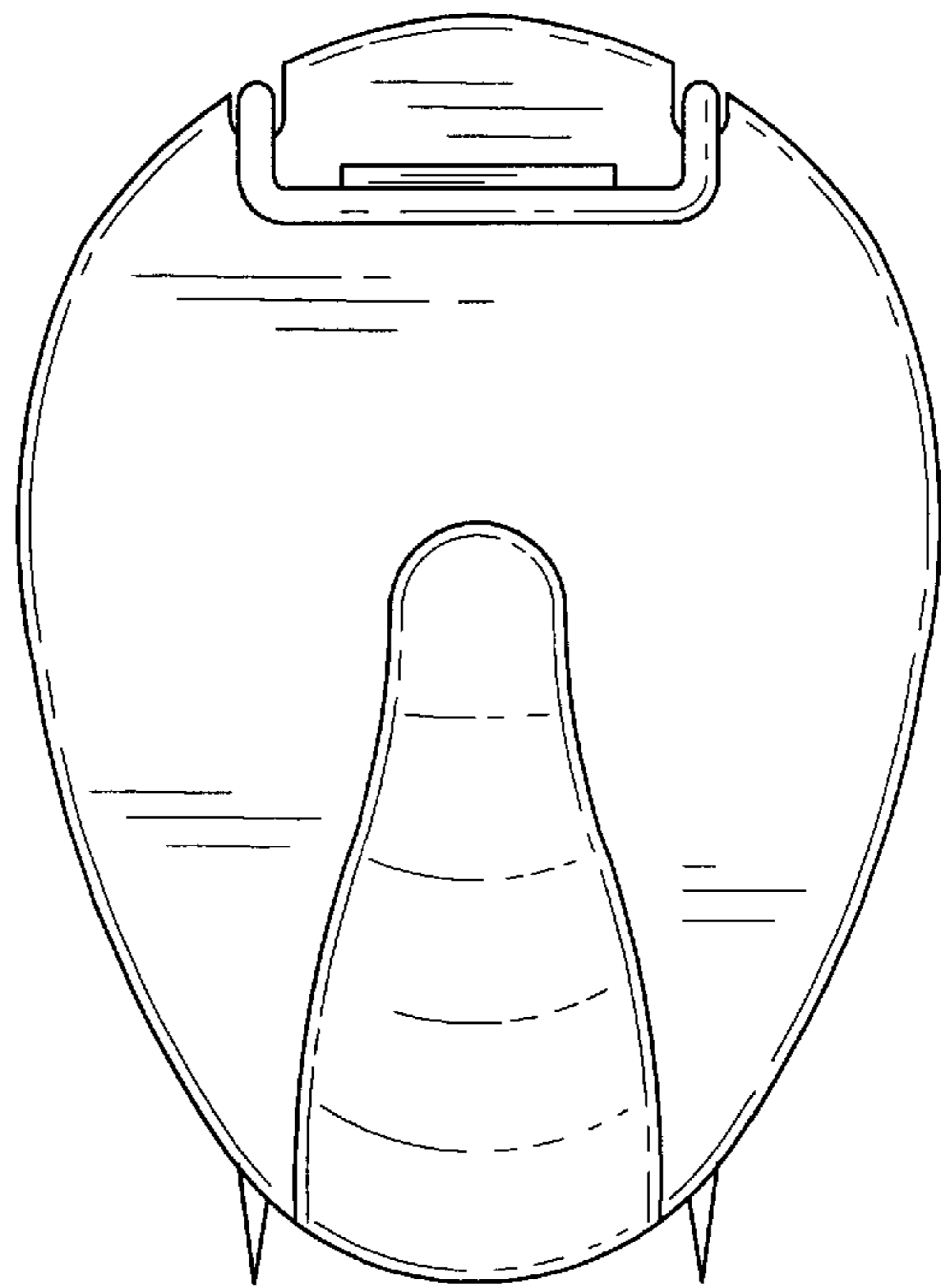


FIG. 5

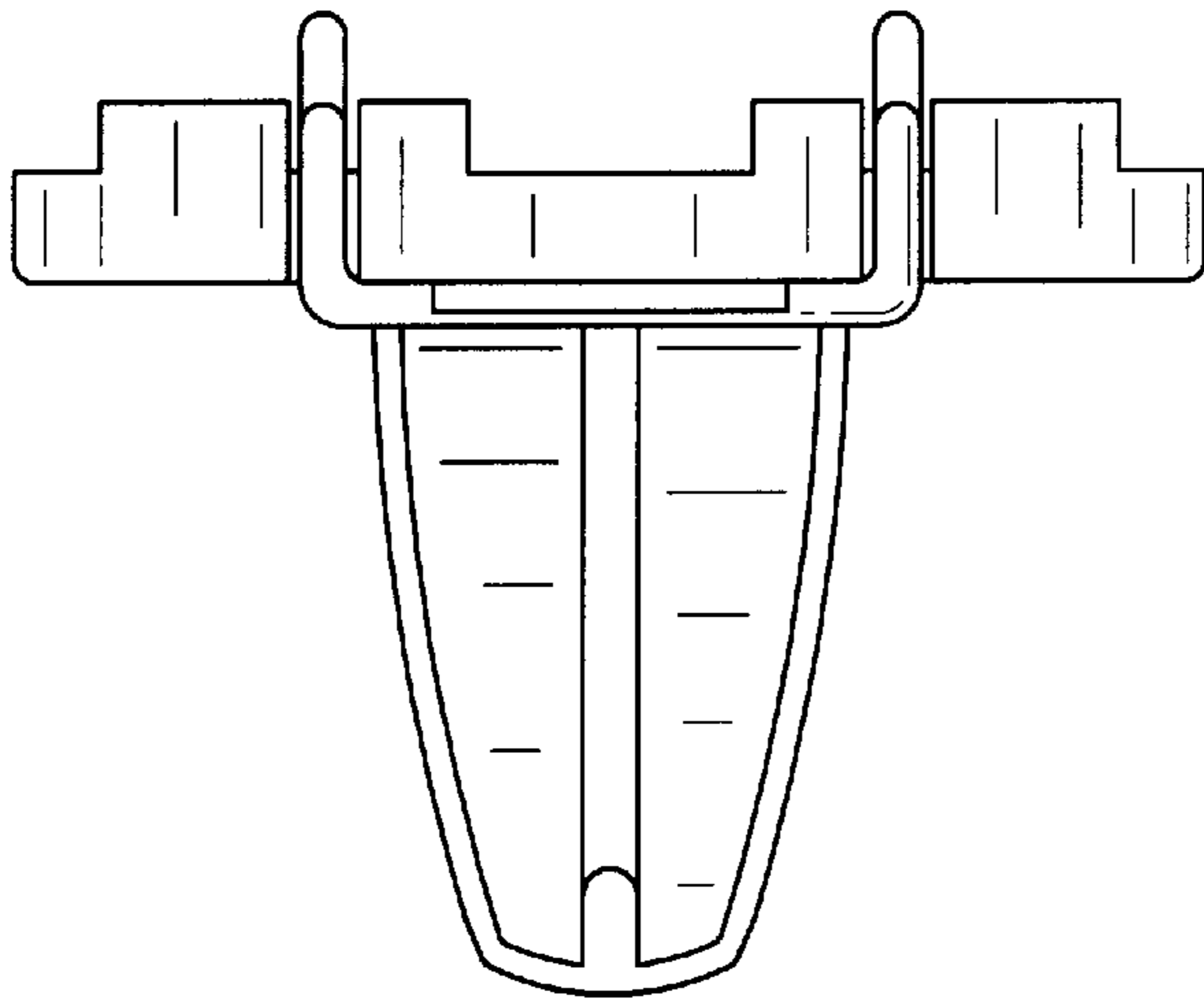


FIG. 6

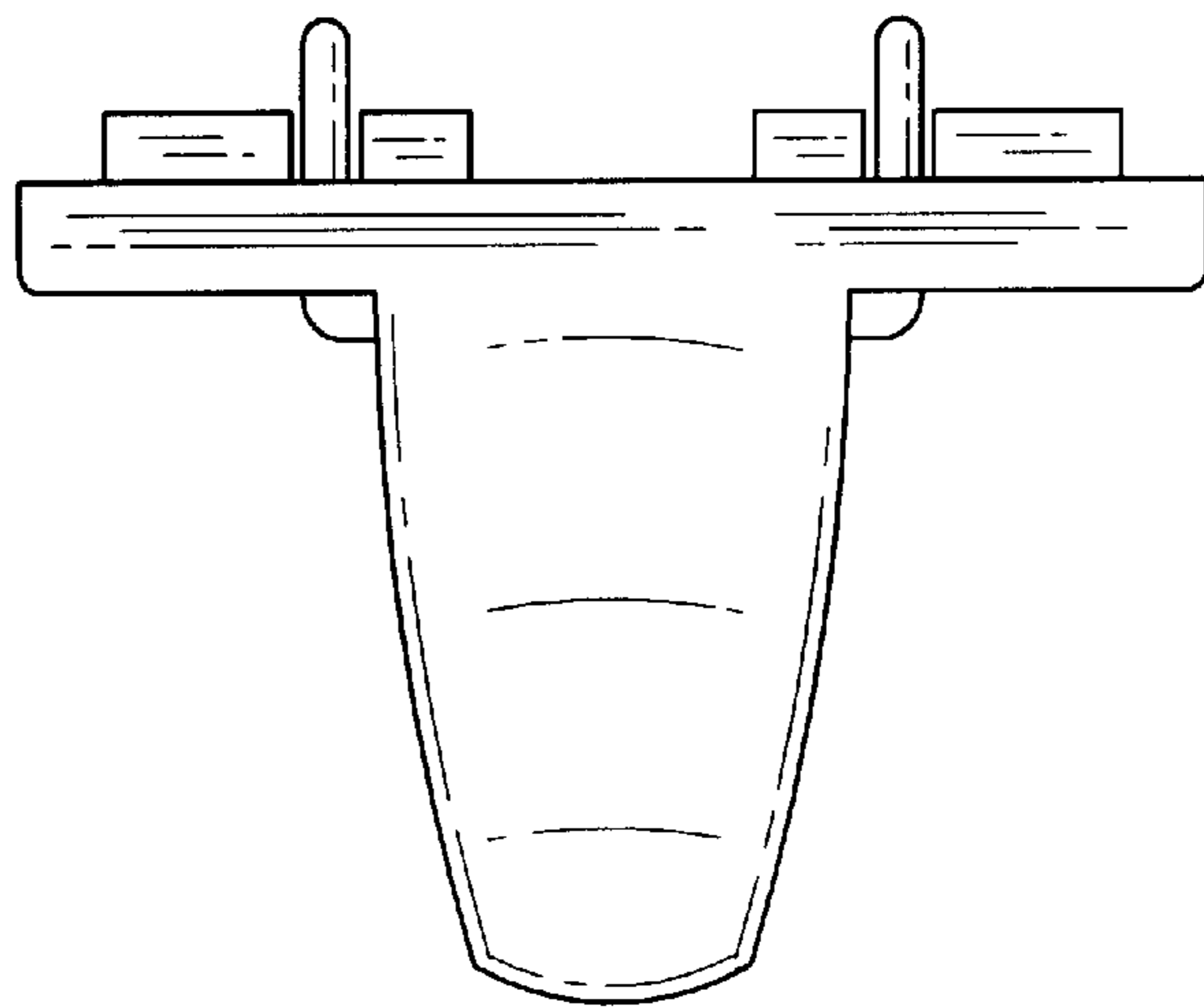


FIG. 7