



US00D486055S

(12) **United States Design Patent**
Fiorentino et al.

(10) **Patent No.:** **US D486,055 S**

(45) **Date of Patent:** **** Feb. 3, 2004**

(54) **STABILIZER RING FOR SEA ANCHOR**

(75) Inventors: **Jenero Fiorentino**, San Pedro, CA
(US); **Zack D. Smith**, Olympia, WA
(US)

(73) Assignee: **Kimberly A. Hadash**, Newport Beach,
CA (US)

(**) Term: **14 Years**

(21) Appl. No.: **29/175,685**

(22) Filed: **Feb. 10, 2003**

(51) **LOC (7) Cl.** **08-05**

(52) **U.S. Cl.** **D8/354**

(58) **Field of Search** D8/349, 354, 355,
D8/356, 367, 373, 380, 382, 499; D12/215;
D34/33, 35; 24/116 R, 265 AL, 265 CD,
600.6, 905; 114/249, 293, 294, 304, 311;
248/499, 500, 505; 294/1.1; 410/101

(56) **References Cited**

U.S. PATENT DOCUMENTS

2,861,534 A * 11/1958 Fehlner 114/311
4,592,686 A * 6/1986 Andrews 410/101
5,248,176 A * 9/1993 Fredriksson 294/1.1

D400,157 S * 10/1998 Fiorentino et al. D12/321
D429,996 S * 8/2000 Fiorentino D8/356
D445,018 S * 7/2001 Fiorentino et al. D8/349
D474,394 S * 5/2003 Smith D8/349

* cited by examiner

Primary Examiner—Doris V. Coles
Assistant Examiner—Elizabeth A. Albert

(57) **CLAIM**

We claim the ornamental design for a stabilizer ring for sea anchor, as shown and described.

DESCRIPTION

FIG. 1 is a perspective view of the stabilizer ring for sea anchor of the present invention;
FIG. 2 is a bottom plan view of the stabilizer ring for sea anchor;
FIG. 3 is a left side elevational view of the stabilizer ring for sea anchor;
FIG. 4 is a front elevational view of the stabilizer ring for sea anchor;
FIG. 5 is a rear elevational view of the stabilizer ring sea anchor; and,
FIG. 6 is a top plan view of the stabilizer ring for sea anchor.

1 Claim, 1 Drawing Sheet

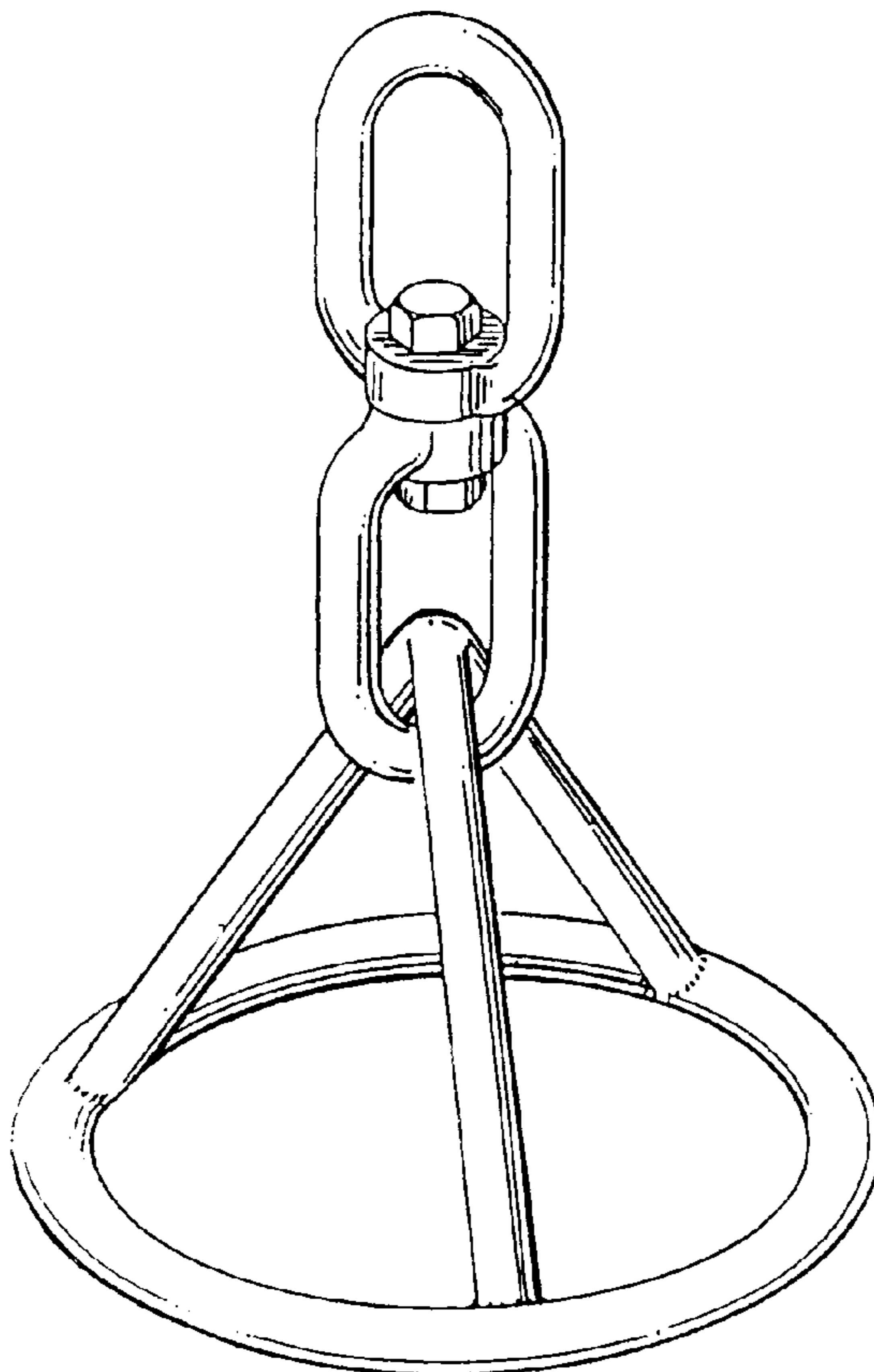


FIG. 1

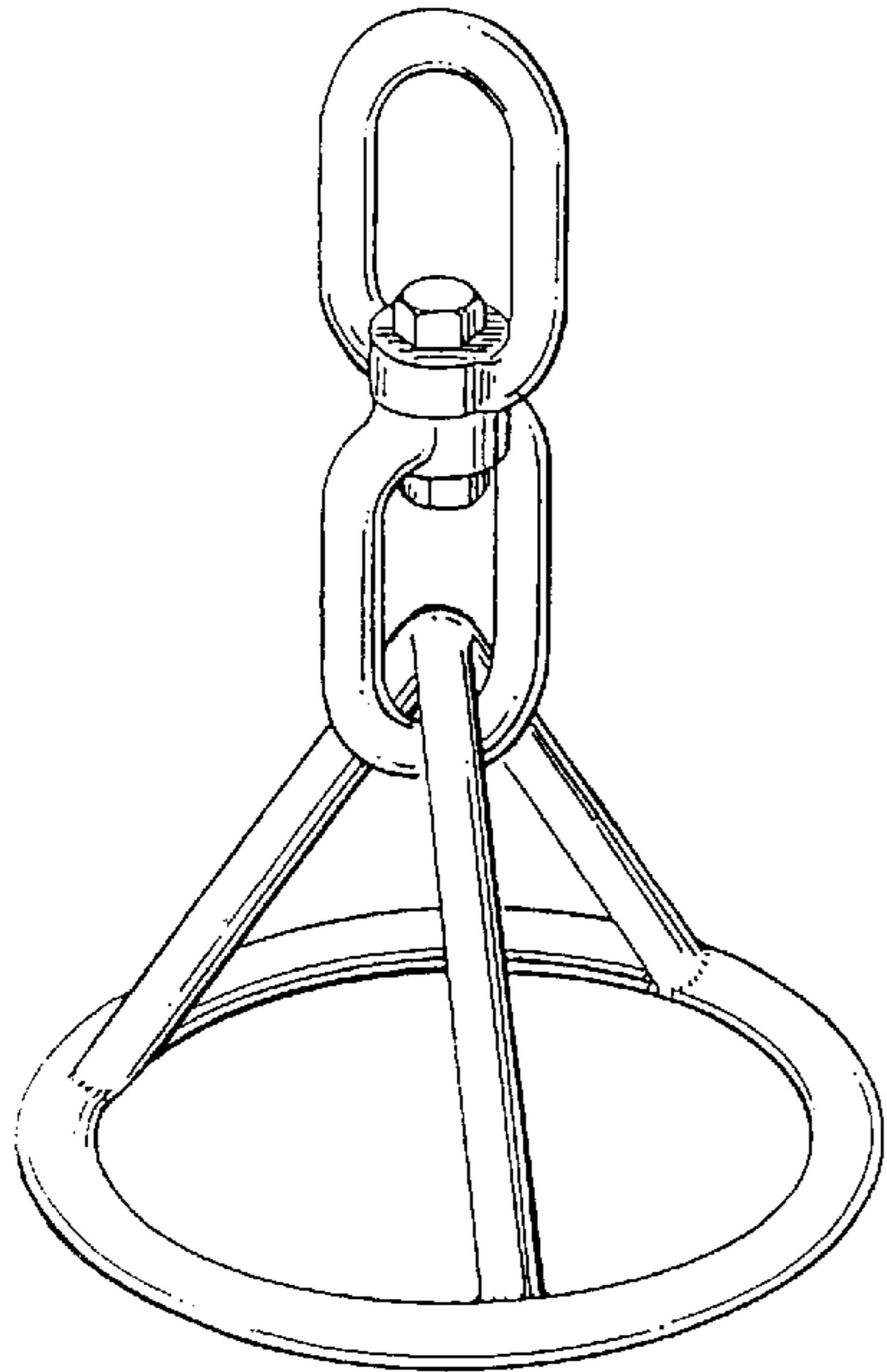


FIG. 2

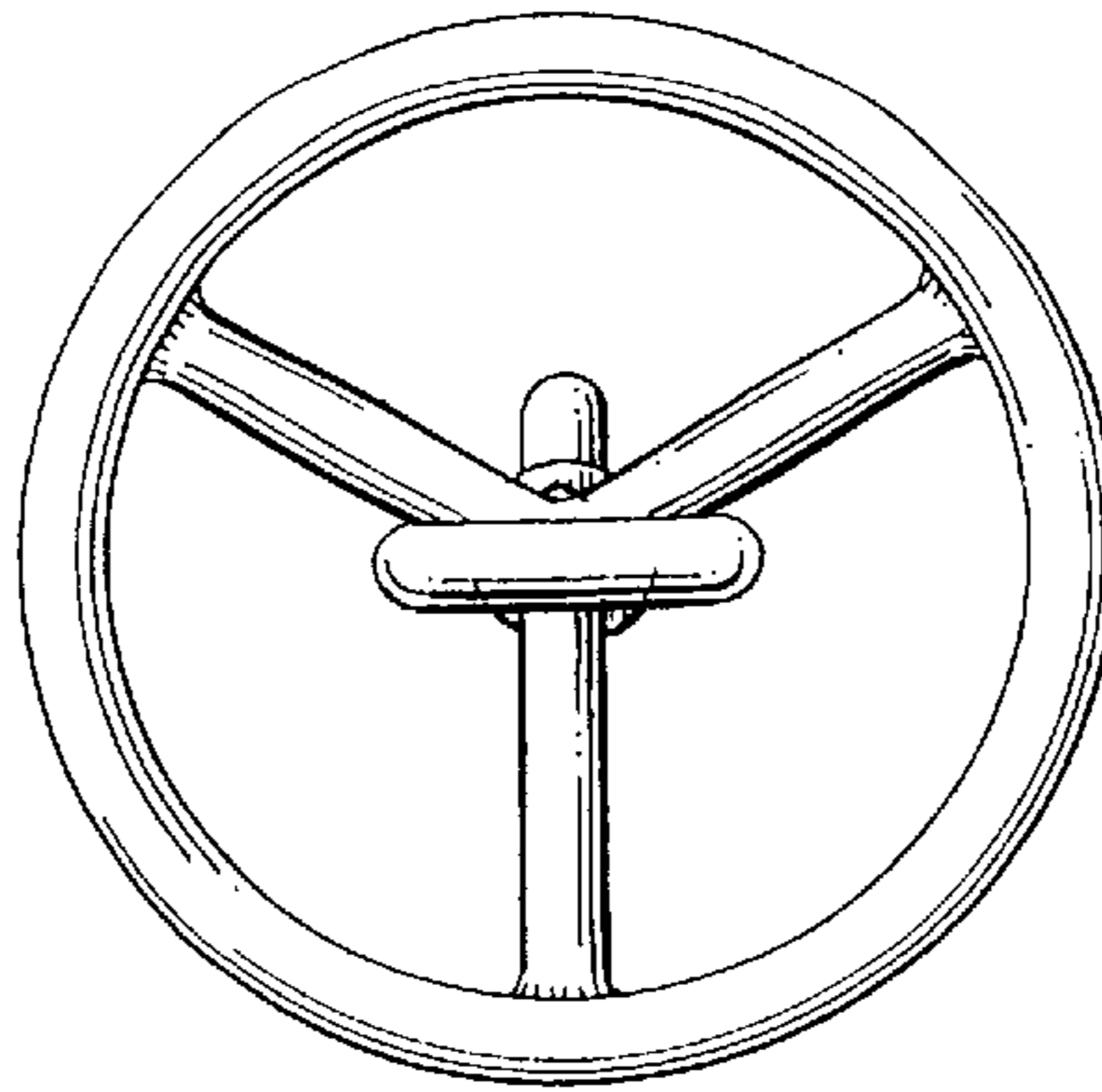


FIG. 3

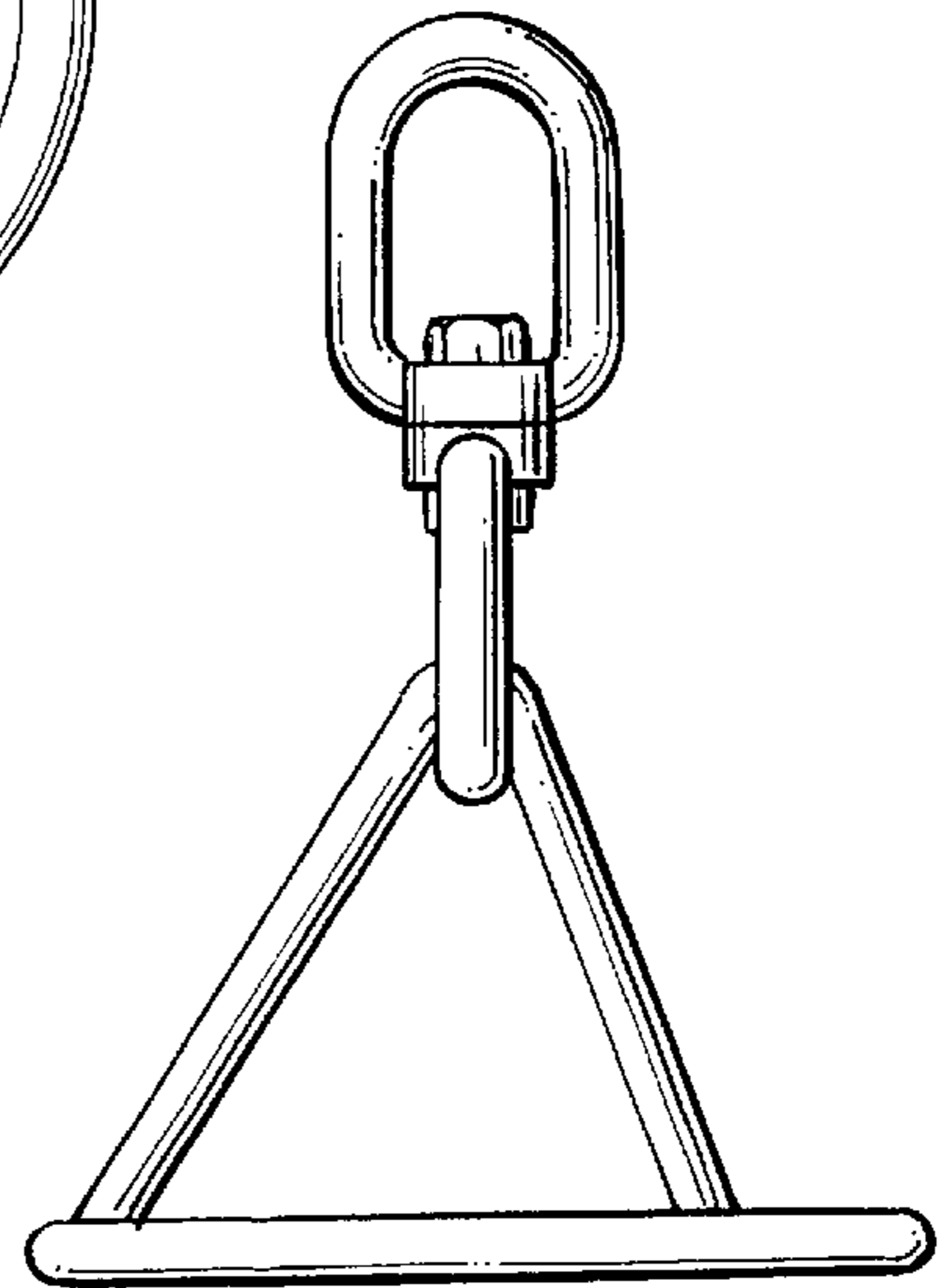


FIG. 4

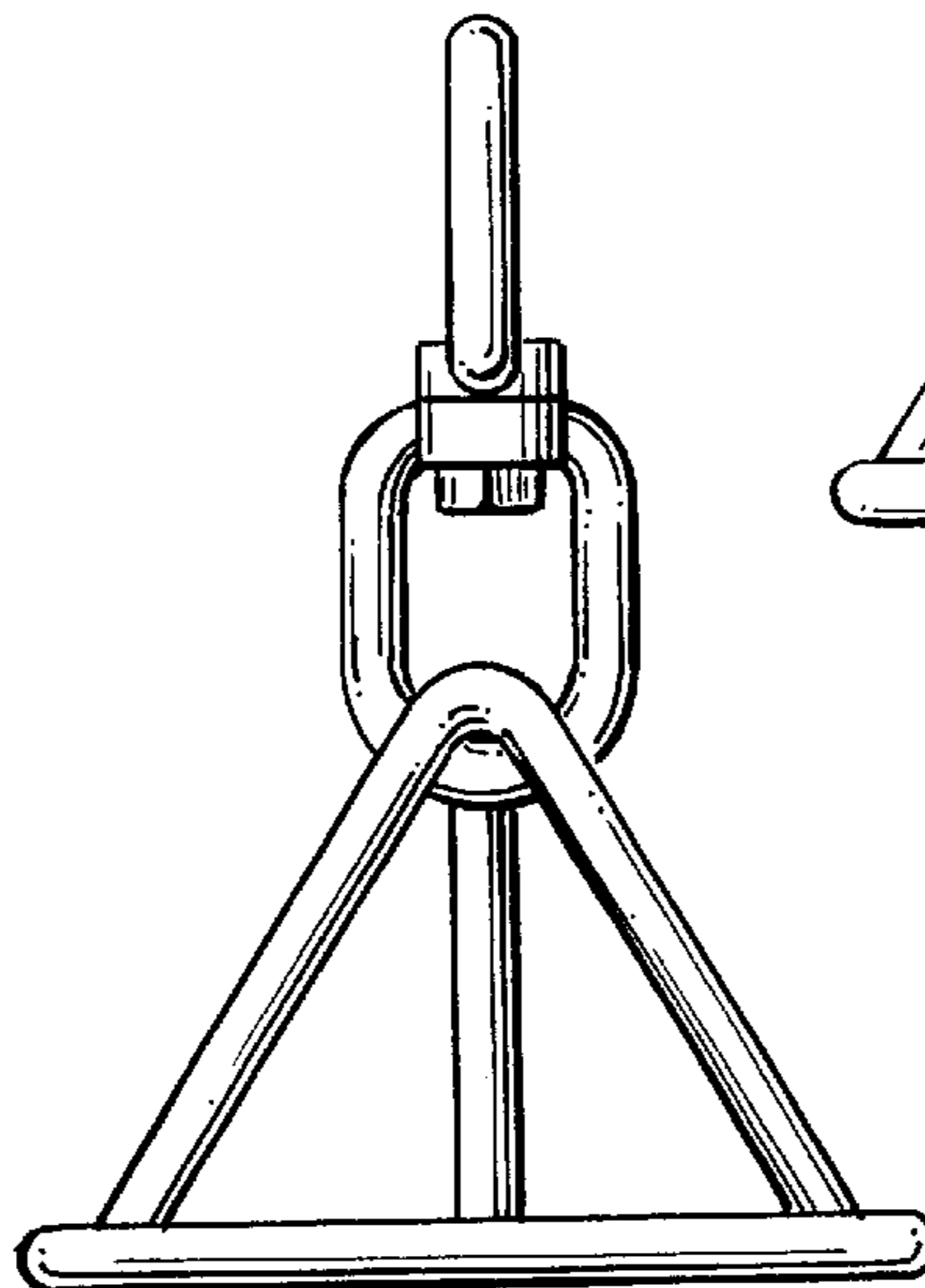


FIG. 5

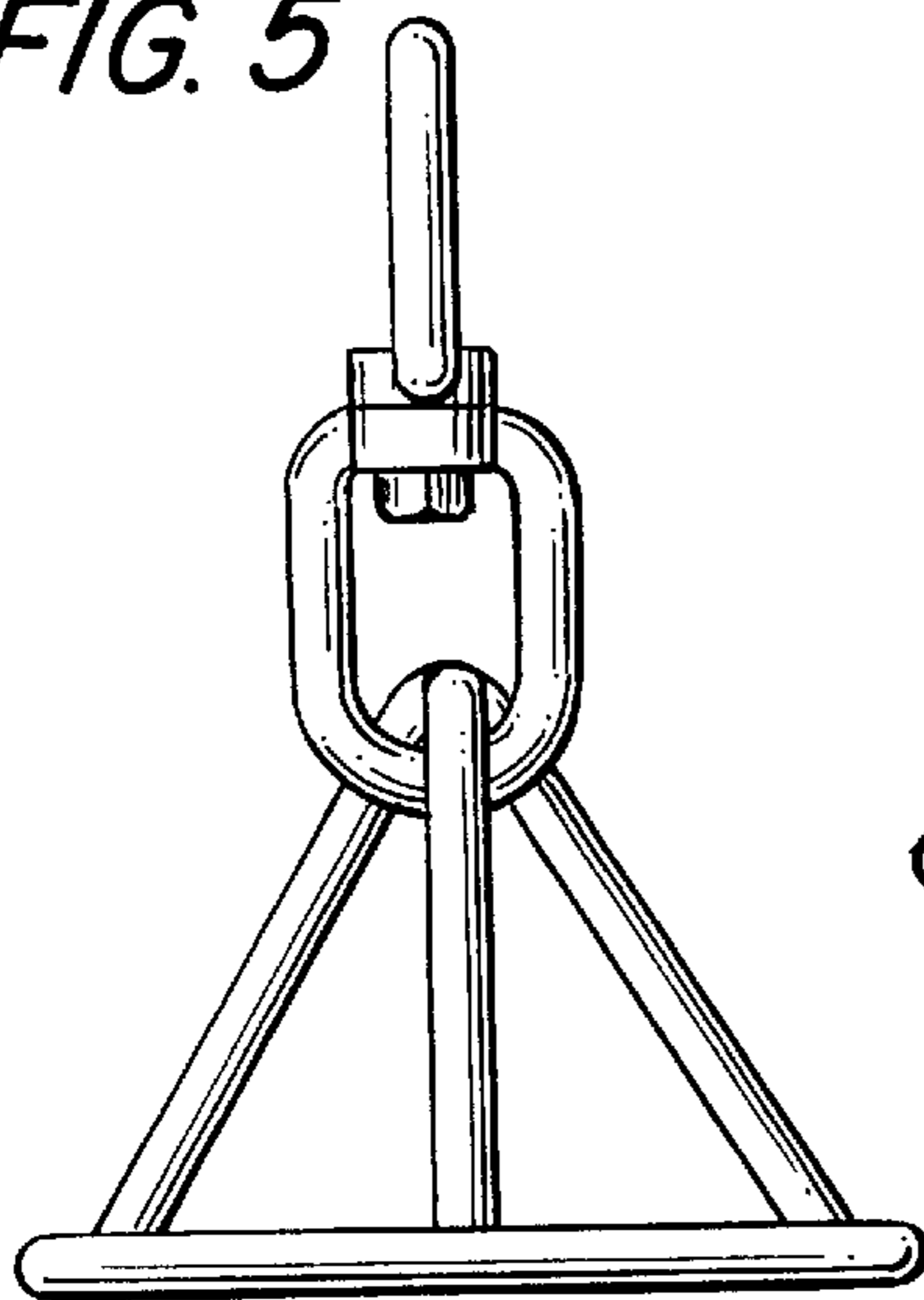


FIG. 6

