



US00D486054S

(12) **United States Design Patent**  
**Mitchell**

(10) **Patent No.:** **US D486,054 S**

(45) **Date of Patent:** **\*\* Feb. 3, 2004**

(54) **INTEGRAL NON-METALLIC ELECTRONIC KEY**

(75) **Inventor:** **Ernst Kern Mitchell**, Sterling Heights, MI (US)

(73) **Assignee:** **Masco Corporation**, Taylor, MI (US)

(\*\*) **Term:** **14 Years**

(21) **Appl. No.:** **29/165,048**

(22) **Filed:** **Aug. 5, 2002**

(51) **LOC (7) Cl.** ..... **08-07**

(52) **U.S. Cl.** ..... **D8/347**

(58) **Field of Search** ..... D8/343-347, 330;  
70/14, 31, 266, 278.2, 277, 278.1, 278.3,  
284, 285, 336, 344, 345, 388, 389, 393,  
429, 430

(56) **References Cited**

**U.S. PATENT DOCUMENTS**

D223,431 S	*	4/1972	Muessel et al.	.....	D8/347
3,688,269 A	*	8/1972	Miller	.....	D8/347 X
D250,990 S	*	2/1979	Henneman et al.	.....	D8/347
4,807,454 A	*	2/1989	Sengupta et al.	.....	70/277
D307,704 S	*	5/1990	Vonlanthen	.....	D8/347
D307,863 S	*	5/1990	Boag	.....	D8/347
5,010,750 A	*	4/1991	Boser et al.	.....	70/276
D357,852 S	*	5/1995	Shen	.....	D8/347
5,544,111 A		8/1996	Berthozat et al.		
5,617,323 A		4/1997	Stansberry et al.		
5,667,408 A		9/1997	Broschard, III et al.		
5,682,031 A		10/1997	Geronimi		
5,699,686 A	*	12/1997	Neumayer et al.	.....	70/283
5,705,991 A		1/1998	Kniffin et al.		

5,745,044 A		4/1998	Hyatt, Jr. et al.		
5,815,557 A		9/1998	Larson		
5,839,305 A		11/1998	Aston		
6,227,020 B1		5/2001	Lerchner		
6,318,134 B1		11/2001	Mossberg et al.		
6,384,709 B2		5/2002	Mellen et al.		
6,412,321 B1		7/2002	Aramburu et al.		
6,473,022 B1	*	10/2002	Wu	.....	70/344

**OTHER PUBLICATIONS**

DebitKey, Inc. Home page; www.debitkey.com.

\* cited by examiner

*Primary Examiner*—Prabhakar Deshmukh

(74) *Attorney, Agent, or Firm*—Carlson, Gaskey & Olds

(57) **CLAIM**

I claim the ornamental design for an integral non-metallic electronic key, as shown and described.

**DESCRIPTION**

FIG. 1 is a perspective view of the integral non-metallic electronic key design.

FIG. 2 is a top view of the integral non-metallic electronic key design.

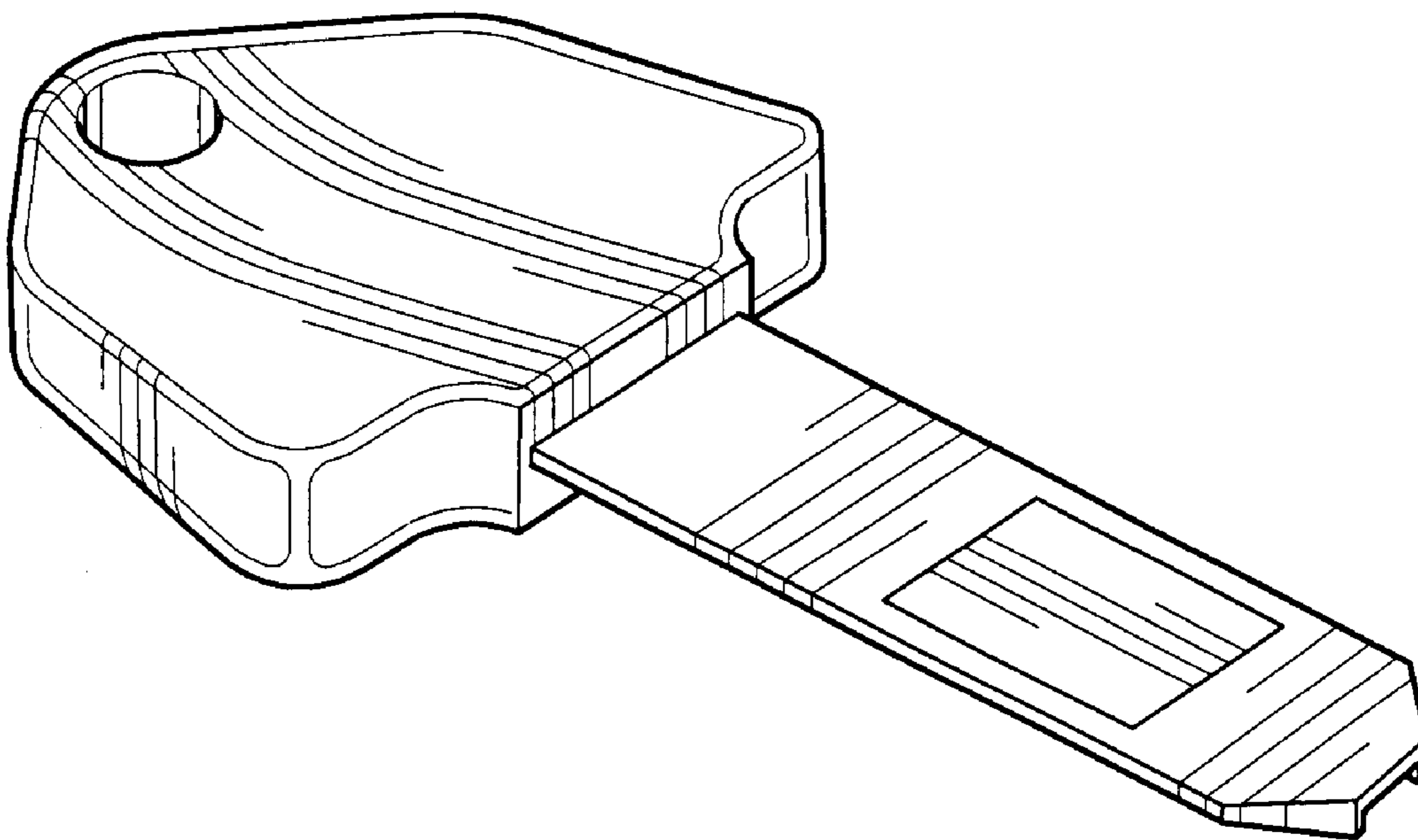
FIG. 3 is a bottom view of the integral non-metallic electronic key design.

FIG. 4 is a side view of the integral non-metallic electronic key design.

FIG. 5 is front view facing the blade of the integral non-metallic electronic key design; and,

FIG. 6 is a rear view of the handle of the integral non-metallic electronic key design.

**1 Claim, 2 Drawing Sheets**



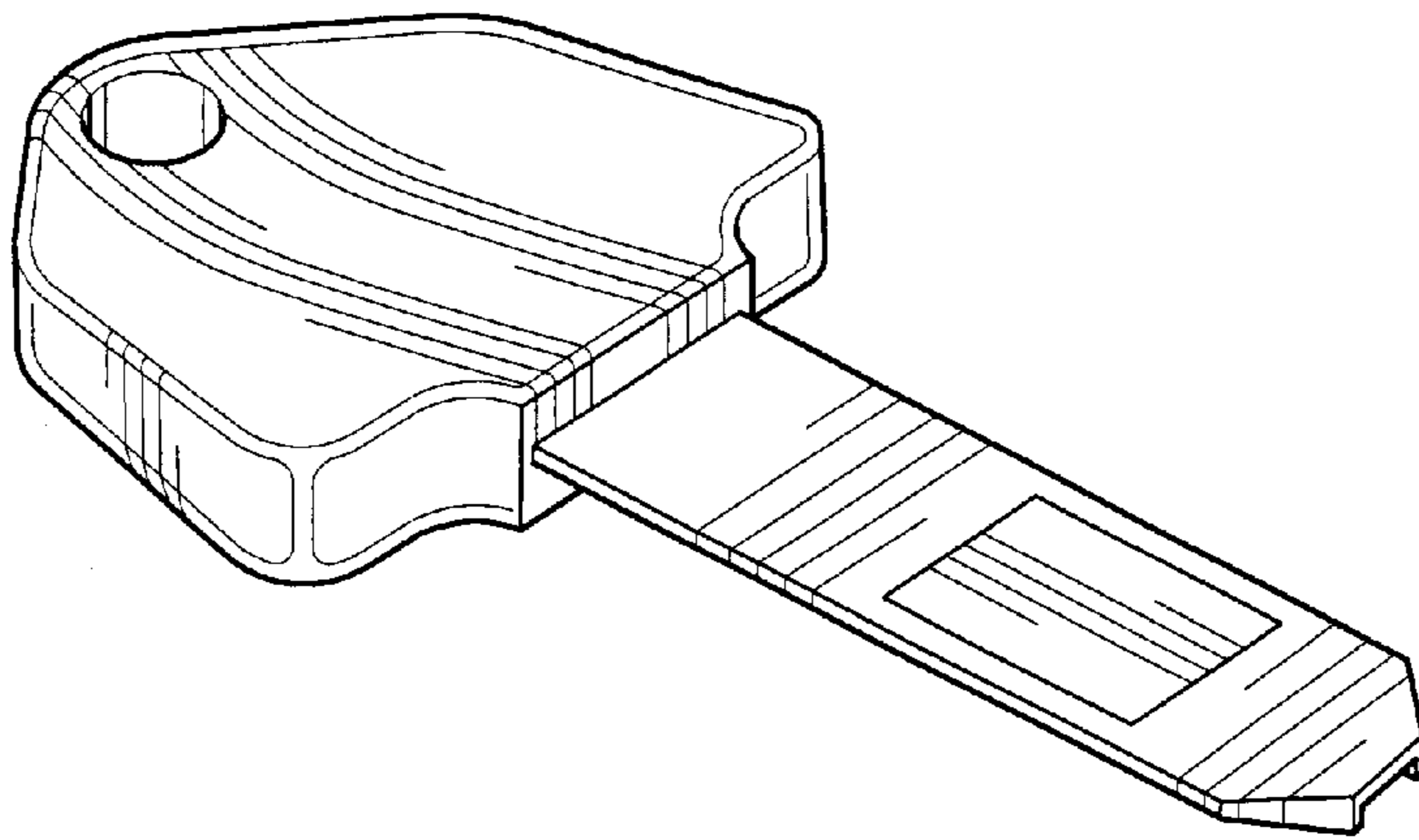


Fig-1

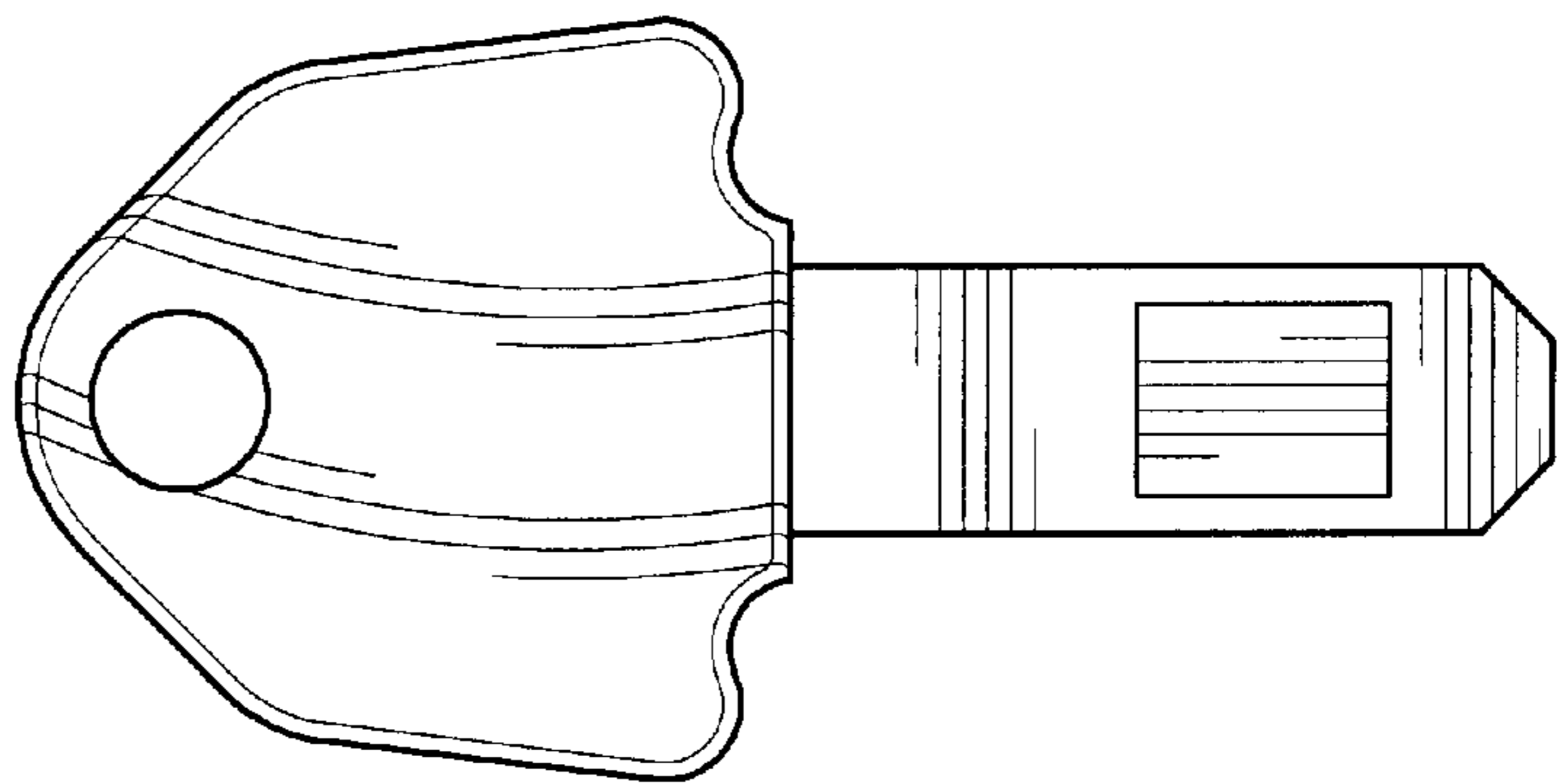
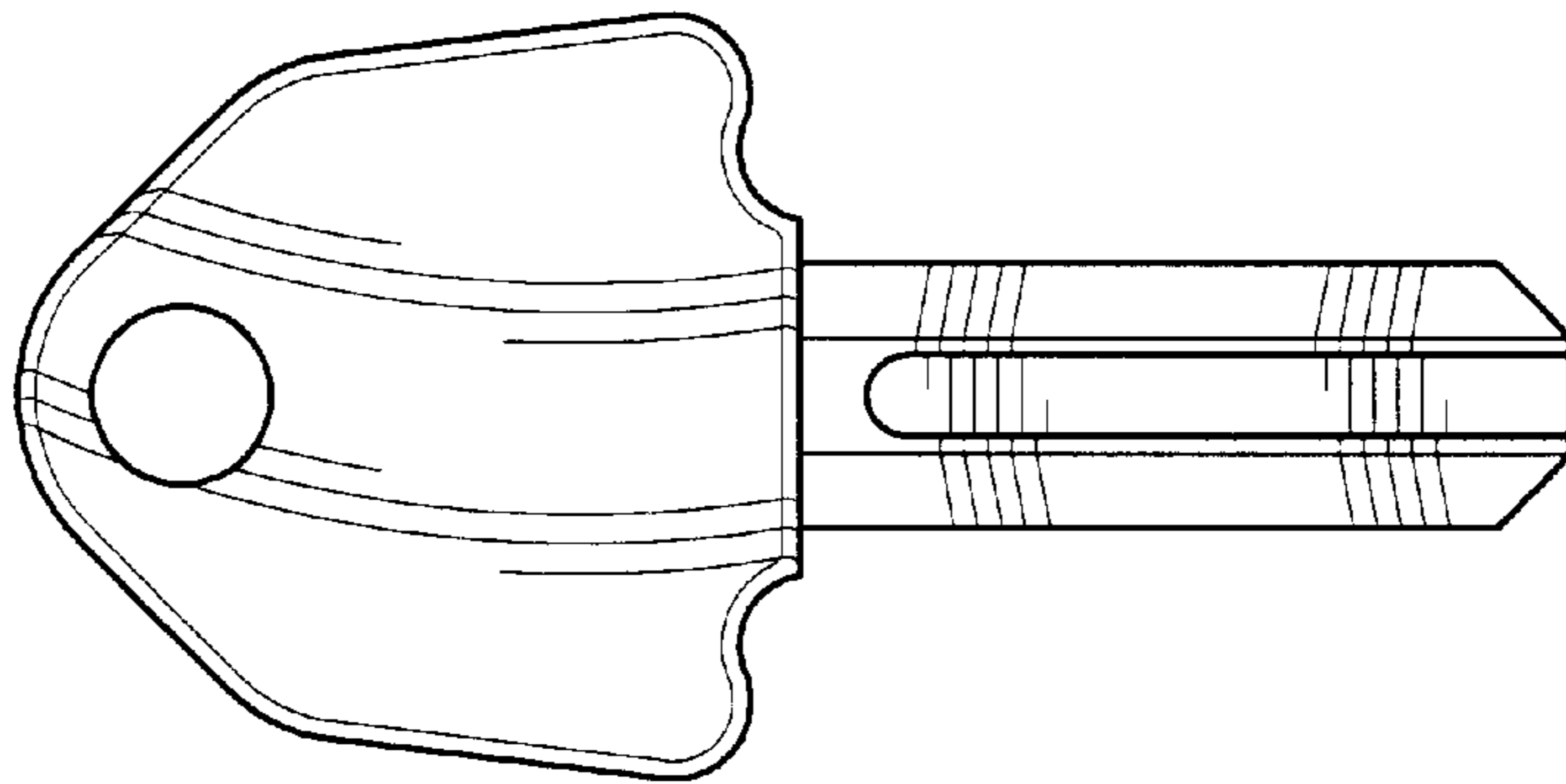


Fig-2

Fig-3



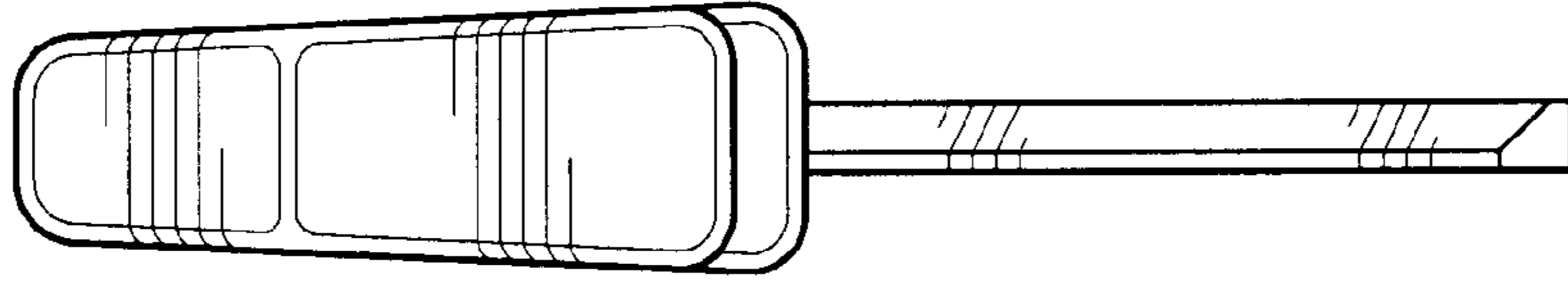


Fig-4

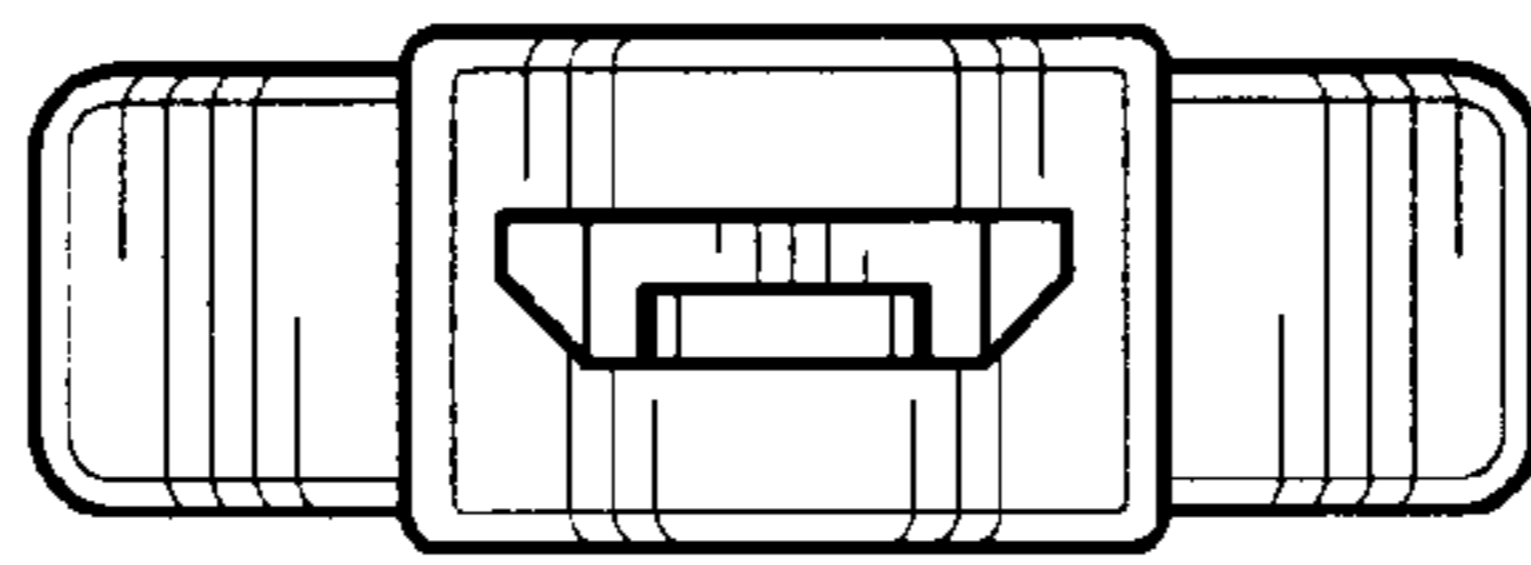


Fig-5

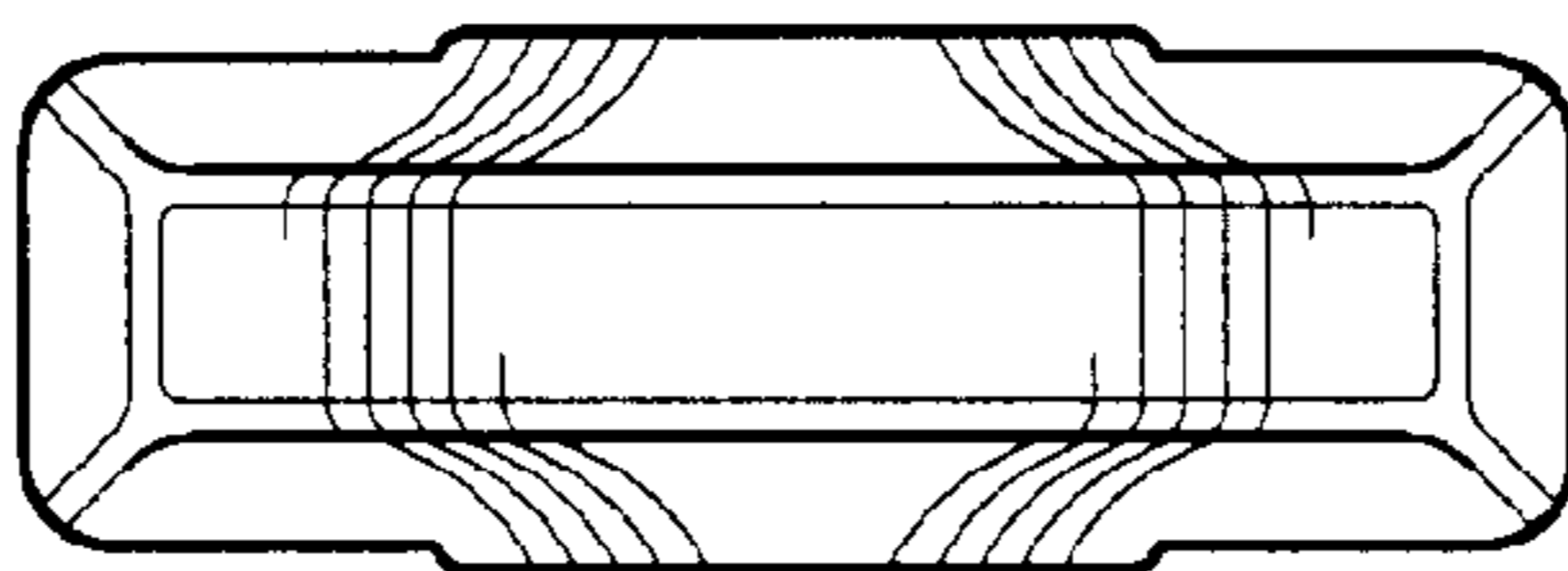


Fig-6