



US00D486051S

(12) **United States Design Patent**
Parry

(10) **Patent No.:** **US D486,051 S**

(45) **Date of Patent:** **** Feb. 3, 2004**

(54) **SCREWDRIVER KEY-TAG**

D389,624 S * 1/1998 Drimmie et al. D32/46

(76) Inventor: **Stuart John Parry**, 232 Richardson Street, Middle Park, Victoria (AU), 3206

(**) Term: **14 Years**

(21) Appl. No.: **29/172,576**

(22) Filed: **Dec. 16, 2002**

(30) **Foreign Application Priority Data**

Jun. 19, 2002 (AU) 1817/2002

(51) **LOC (7) Cl.** **08-04**

(52) **U.S. Cl.** **D8/85; D8/82**

(58) **Field of Search** D8/82, 83, 84, D8/85, 86, 87, 105; D3/210; 81/436, 437, 438, 439, 440; 7/165

(56) **References Cited**

U.S. PATENT DOCUMENTS

2,788,816	A	*	4/1957	Dargols	81/439
D197,915	S	*	4/1964	Ayars	D8/26
3,191,649	A	*	6/1965	Dzus et al.	81/439
D206,852	S	*	1/1967	Hedu	D8/85
D229,390	S	*	11/1973	Hart	D8/85
D302,514	S	*	8/1989	Gates	D8/105
D328,019	S	*	7/1992	Beizer	D8/82
D339,047	S	*	9/1993	Henderson	D8/82
D344,664	S	*	3/1994	Malkinson	D8/85

OTHER PUBLICATIONS

Sears Craftsman Tool Catalog, 1990, back cover, Screwdriver set with 4-way pocket screwdriver.*

“General Tools Handy Pocket Screwdriver”, undated, www.generaltools.com.

* cited by examiner

Primary Examiner—Philip S. Hyder

(74) *Attorney, Agent, or Firm*—Robert Platt Bell

(57) **CLAIM**

The ornamental design for a screwdriver key-tag, substantially as shown and described.

DESCRIPTION

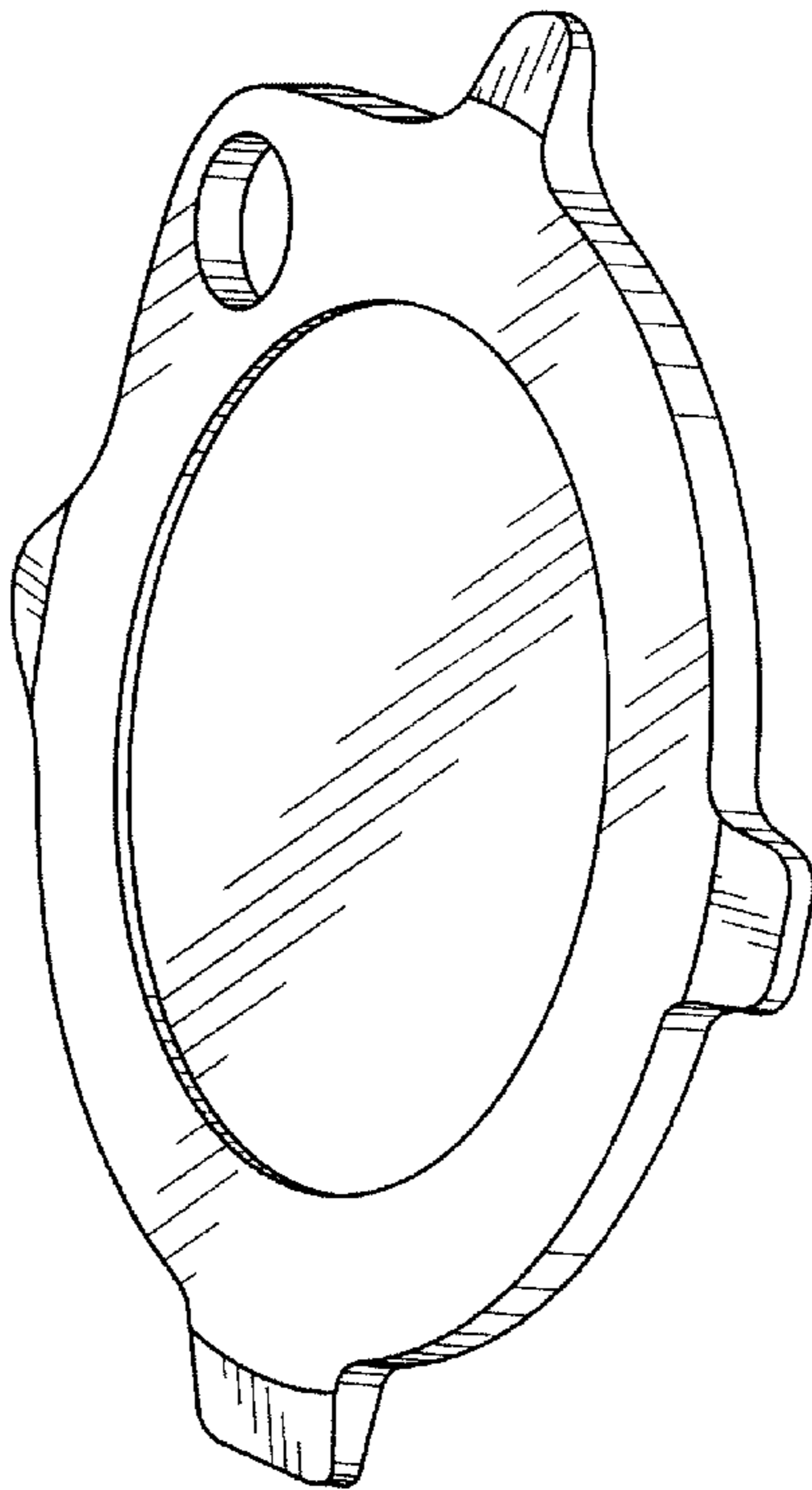
FIG. 1 is a top view of the screwdriver key-tag of the present invention. The bottom view of the screwdriver key-tag of the present invention is a mirror image of FIG. 1.

FIG. 2 is a right side top perspective view of the screwdriver key-tag of the present invention.

FIG. 3 is a left side bottom view of the screwdriver key-tag of the present invention; and,

FIG. 4 is a cross-section view of the screwdriver key-tag of the present invention, presented solely to illustrate the depression in the center portion of the screwdriver key-tag of the present invention. Applicant explicitly disclaims any internal features of the cross-section view of FIG. 4.

1 Claim, 4 Drawing Sheets



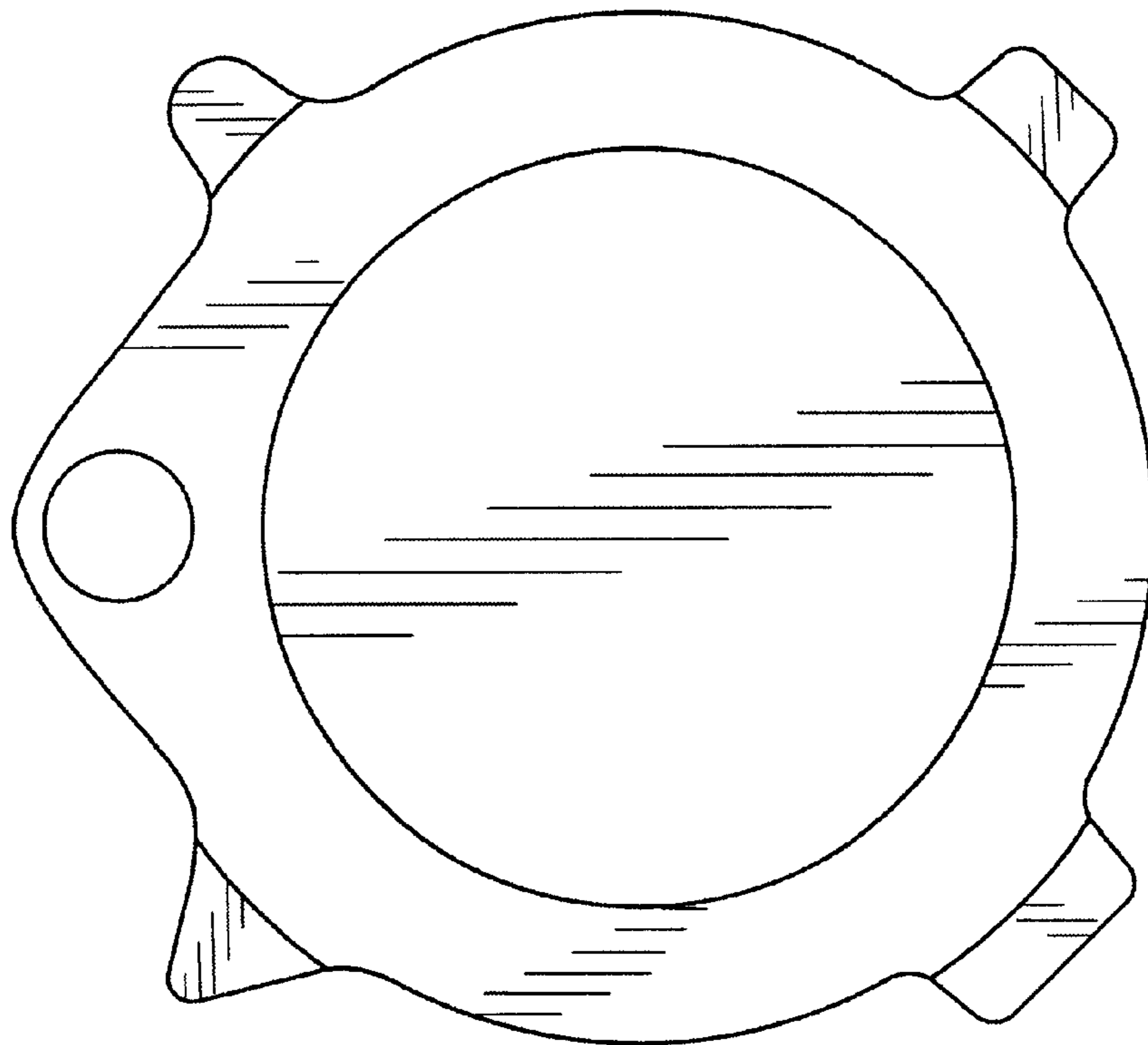


Figure 1

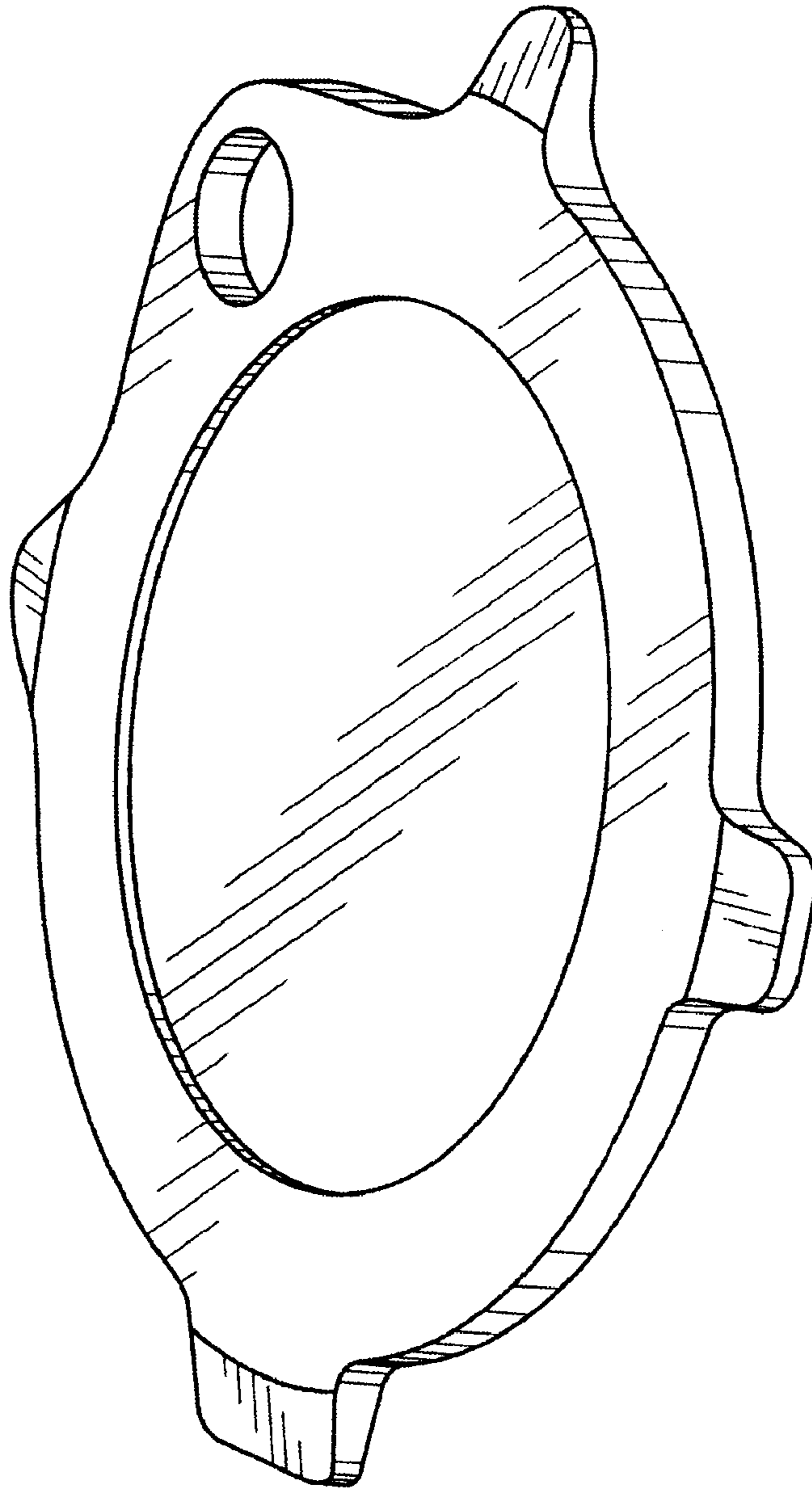


Figure 2

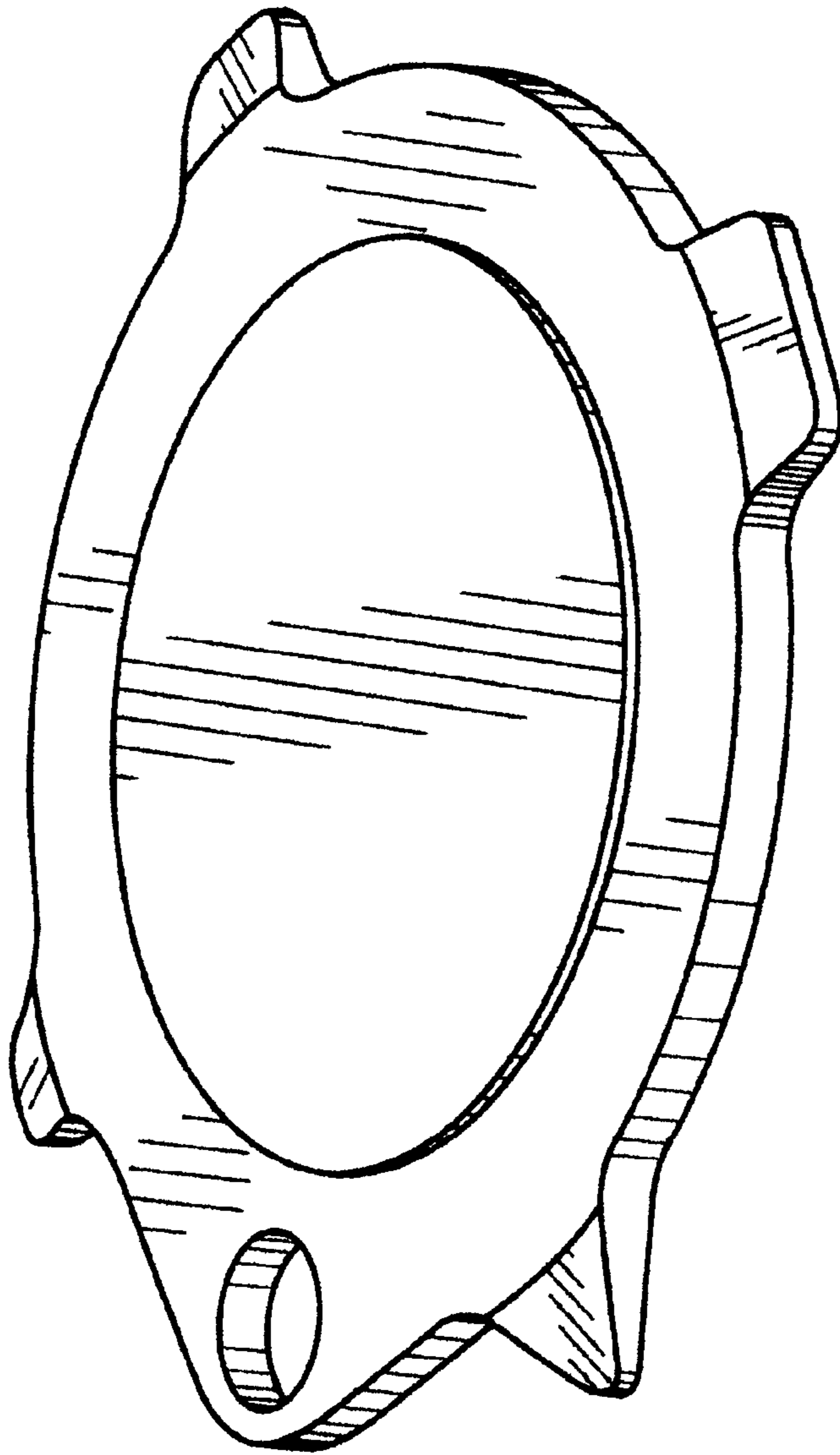


Figure 3



Figure 4