



US00D486049S

(12) **United States Design Patent**
Sugiura et al.

(10) **Patent No.:** **US D486,049 S**

(45) **Date of Patent:** **** Feb. 3, 2004**

(54) **PORTABLE ELECTRIC DRILL**
(75) Inventors: **Shin Sugiura, Anjo (JP); Naohiro Hayakawa, Anjo (JP)**
(73) Assignee: **Makita Corporation, Aichi-Ken (JP)**
(**) Term: **14 Years**

D396,621 S * 8/1998 Zurwelle D8/68
D400,416 S * 11/1998 Zurwelle D8/68
D406,511 S * 3/1999 Zurwelle D8/68
D406,742 S * 3/1999 Schoen et al. D8/68
D426,125 S 6/2000 Hayakawa et al.
D439,123 S * 3/2001 Sakai et al. D8/68
D466,386 S * 12/2002 Zurwelle D8/68
D466,779 S * 12/2002 Shibata et al. D8/68
D470,737 S * 2/2003 Chunn et al. D8/68

(21) Appl. No.: **29/182,560**
(22) Filed: **May 29, 2003**
(30) **Foreign Application Priority Data**

Dec. 6, 2002 (JP) 2002-036966
(51) **LOC (7) Cl.** **08-01**
(52) **U.S. Cl.** **D8/68**
(58) **Field of Search** D8/14.1, 61, 62,
D8/63, 64, 65, 66, 67, 68, 69, 70; 81/57.11,
429, 464, 465, 466, 469, 489; 173/13, 169,
178, 213, 217; 227/8, 114, 120, 130, 136,
142; 310/50; 408/20, 124, 125, 234, 241 R;
451/358

FOREIGN PATENT DOCUMENTS

JP 2001-31348 9/2002
* cited by examiner
Primary Examiner—Doris V. Coles
Assistant Examiner—T. Chase Nelson
(74) *Attorney, Agent, or Firm*—Dennison, Schultz & Dougherty

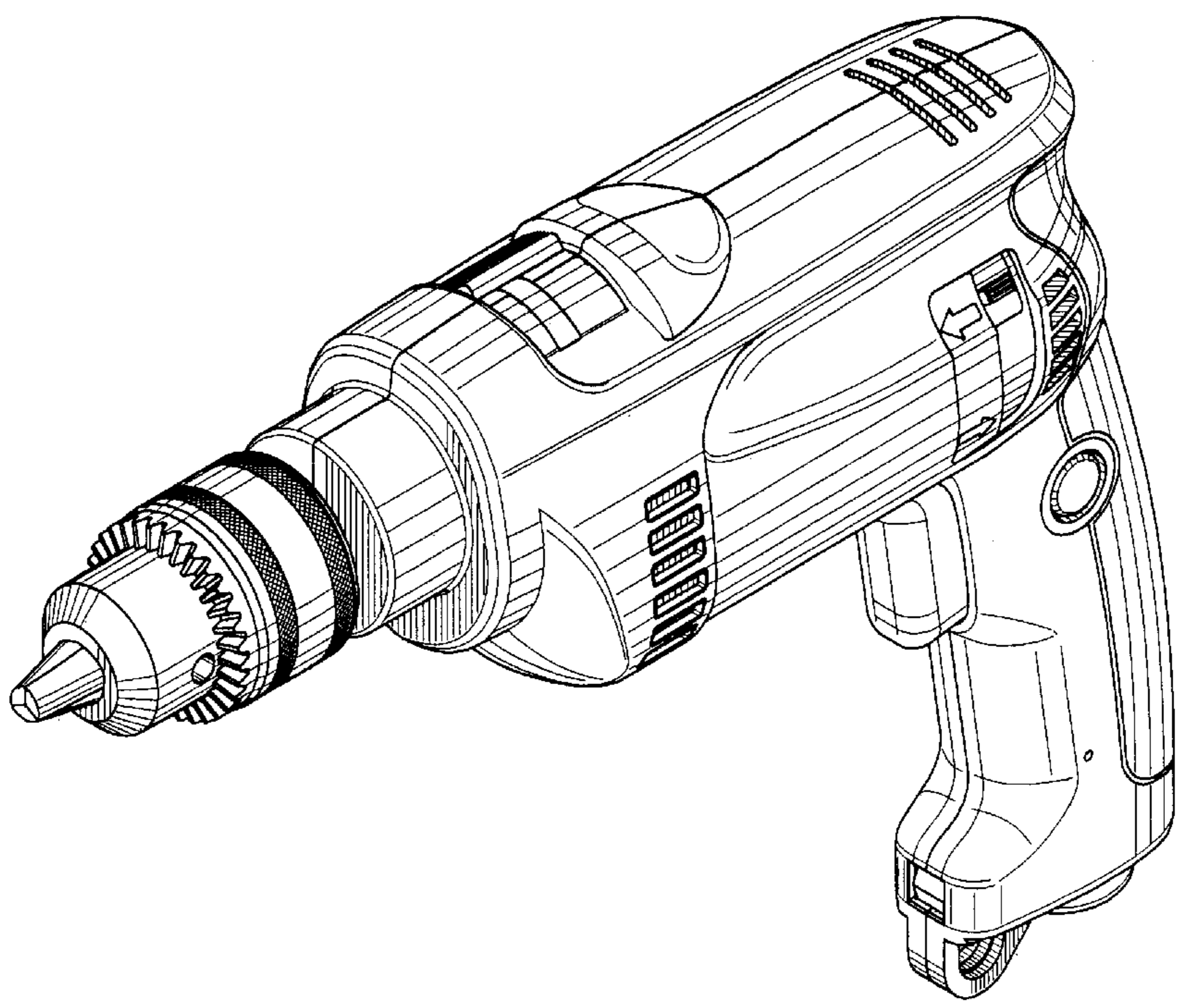
(56) **References Cited**
U.S. PATENT DOCUMENTS
4,098,351 A * 7/1978 Alessio 173/13
D280,797 S * 10/1985 Sakamoto et al. D8/68
D296,413 S * 6/1988 Hoshino et al. D8/68
D326,400 S 5/1992 Fushiya et al.
D339,727 S * 9/1993 Kikuchi D8/68
D344,000 S 2/1994 Shibata et al.
D396,395 S * 7/1998 Zurwelle D8/68

(57) **CLAIM**
The ornamental design for a portable electric drill, as shown and described.

DESCRIPTION

FIG. 1 is a perspective view of a portable electric drill showing our new design;
FIG. 2 is a front elevation view thereof;
FIG. 3 is a rear elevation view thereof;
FIG. 4 is a left side elevation view thereof;
FIG. 5 is a right side elevation view thereof;
FIG. 6 is a top plan view thereof; and,
FIG. 7 is a bottom plan view thereof.

1 Claim, 5 Drawing Sheets



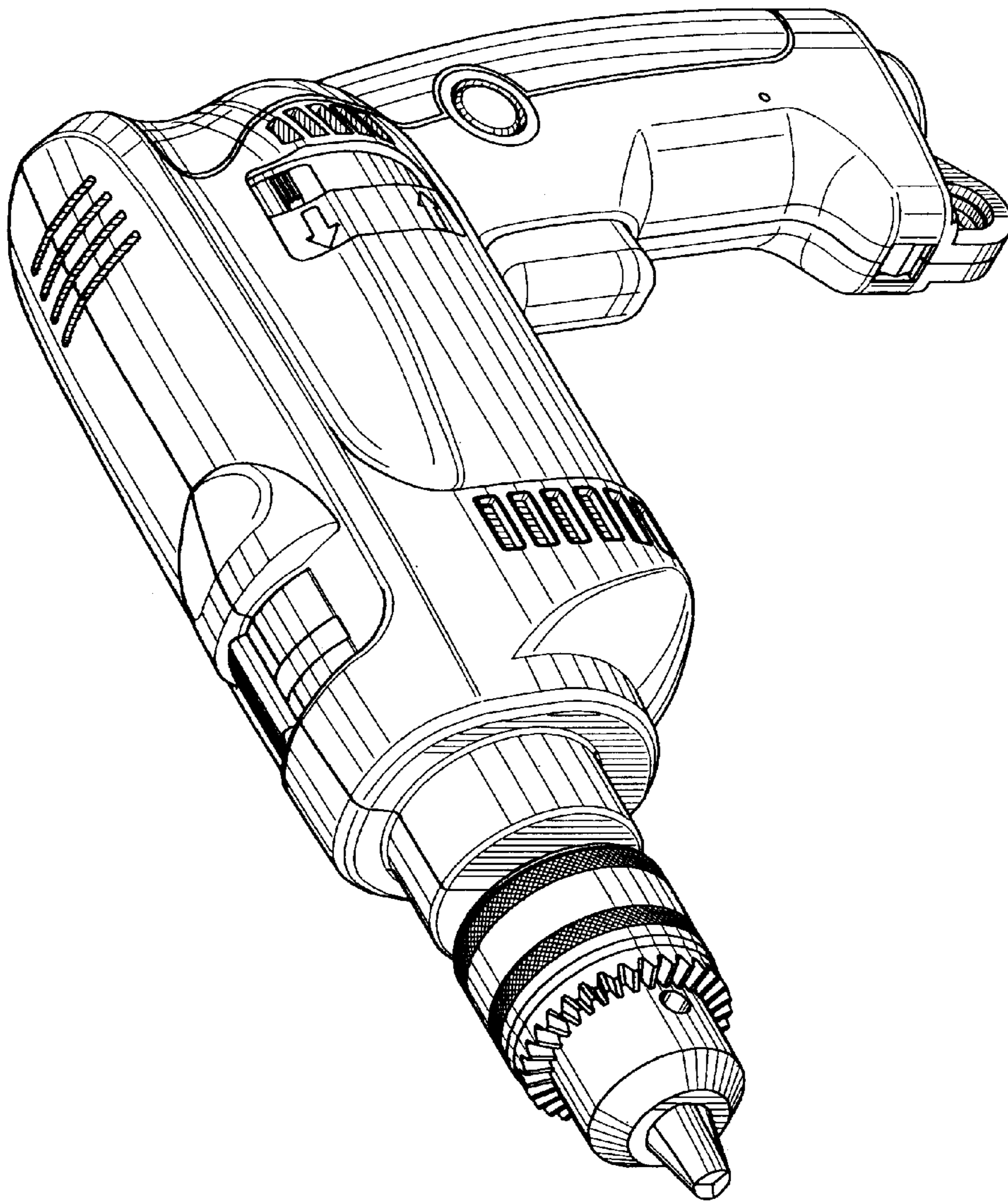


FIG. 1

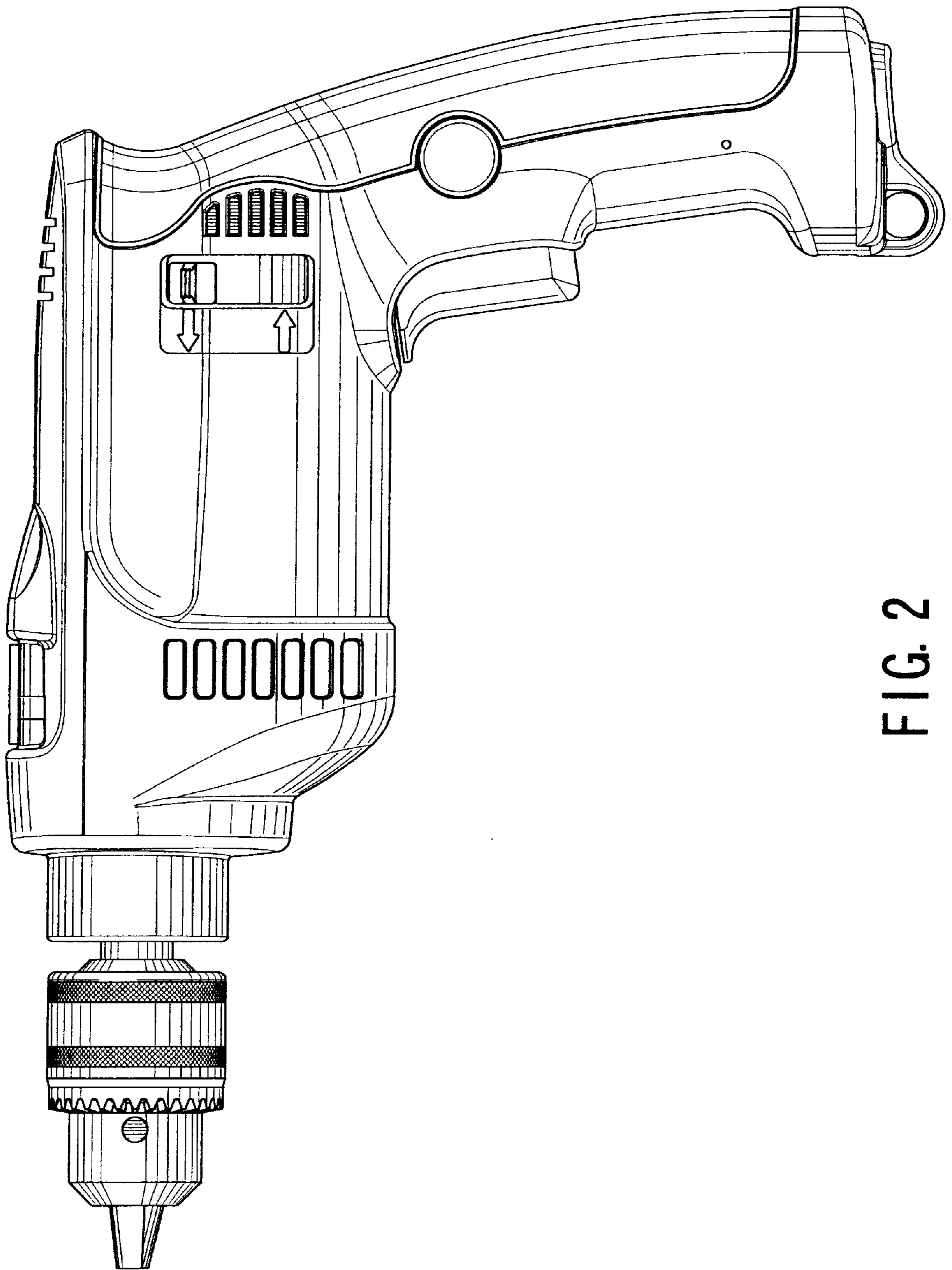


FIG. 2

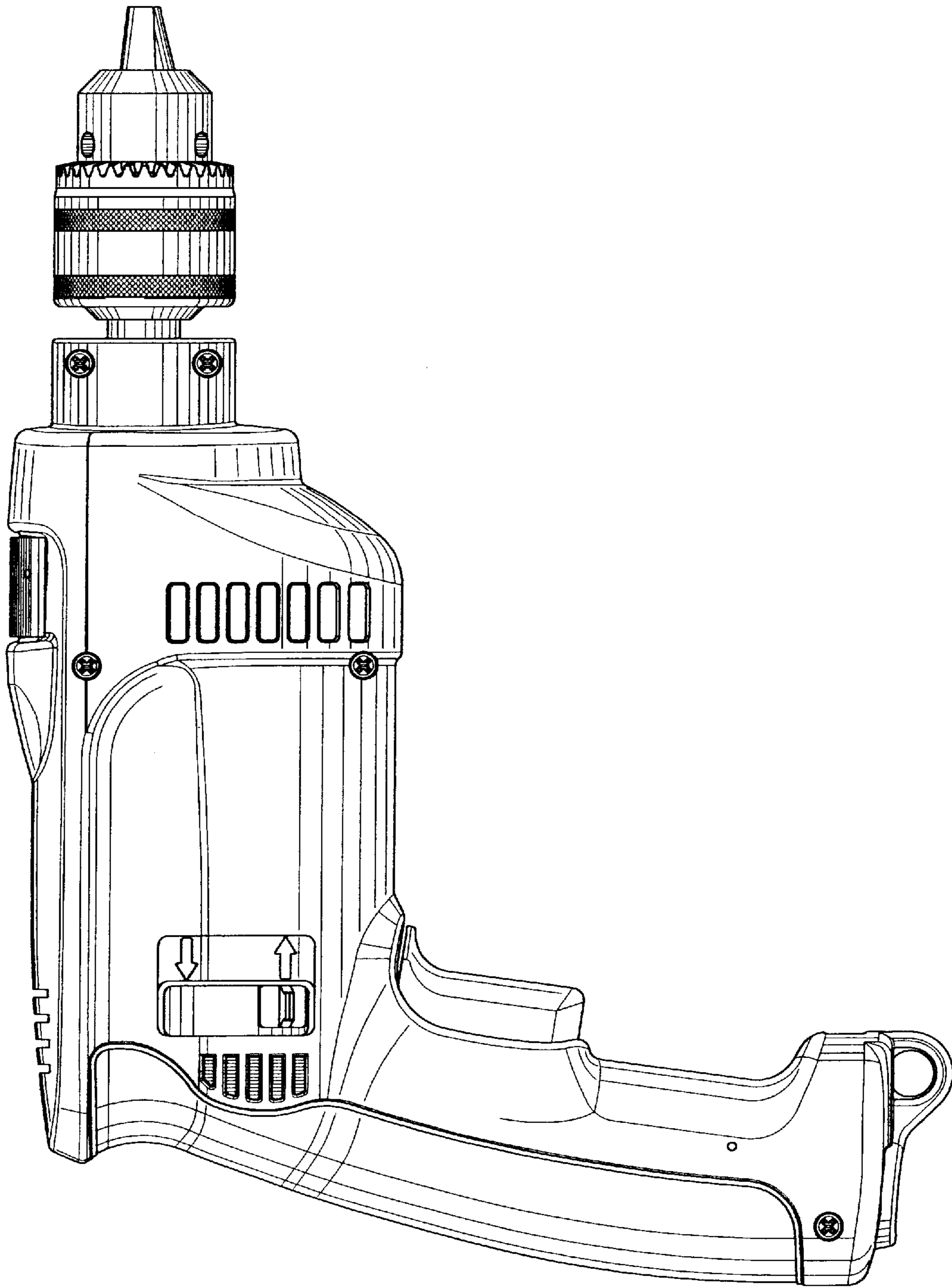


FIG. 3

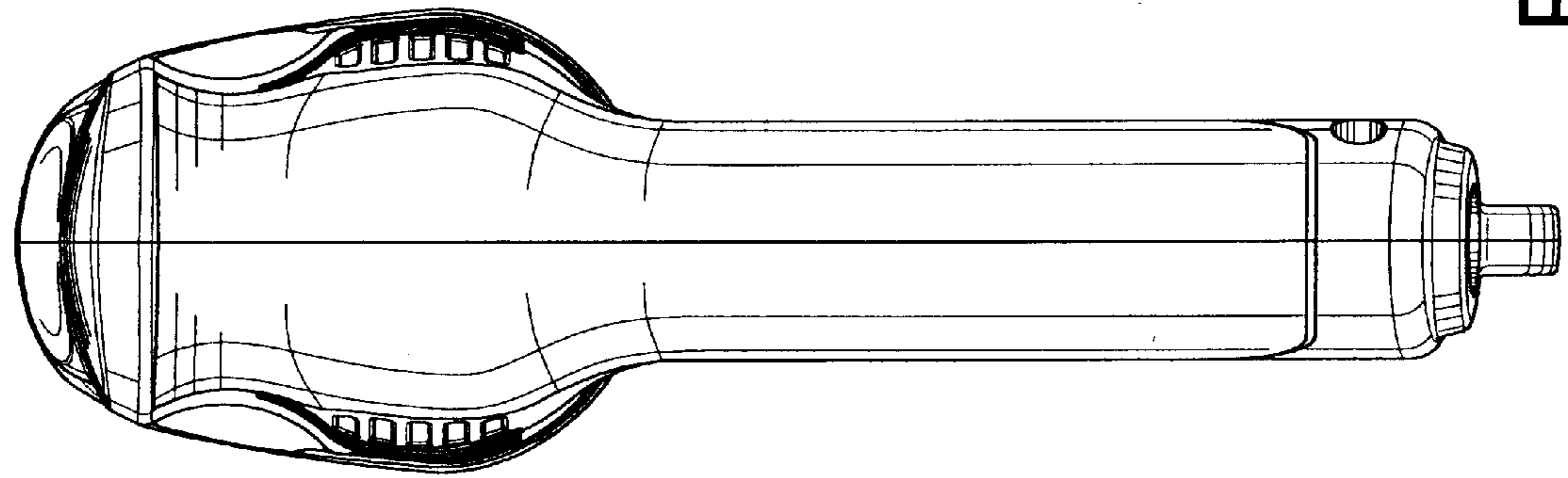


FIG. 5

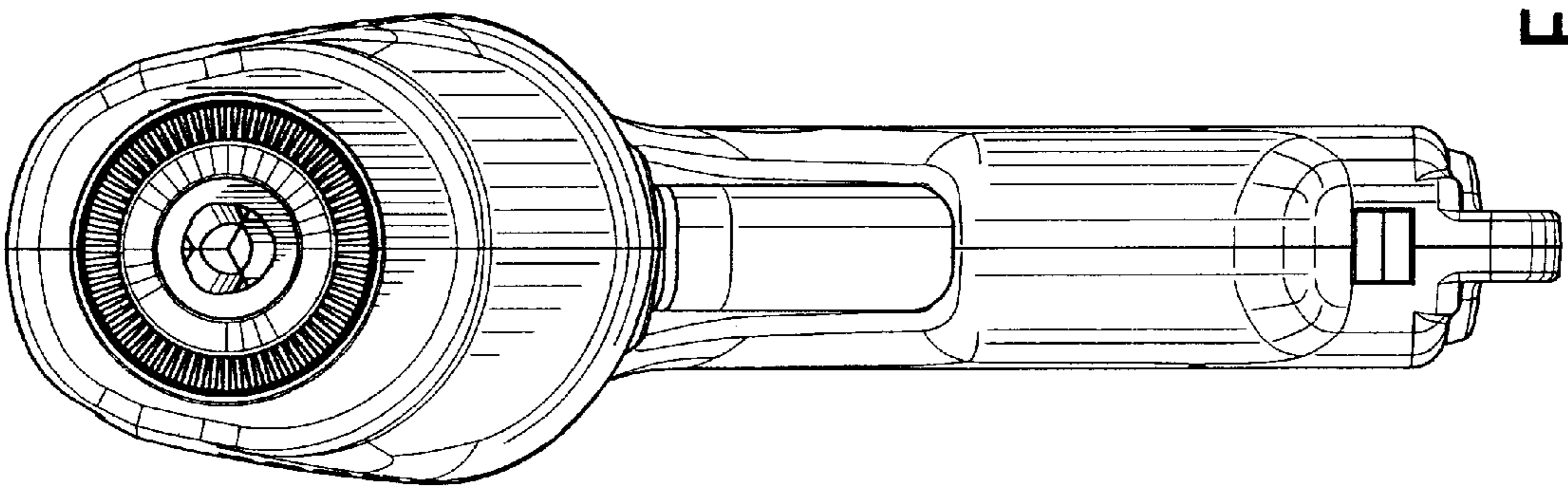


FIG. 4

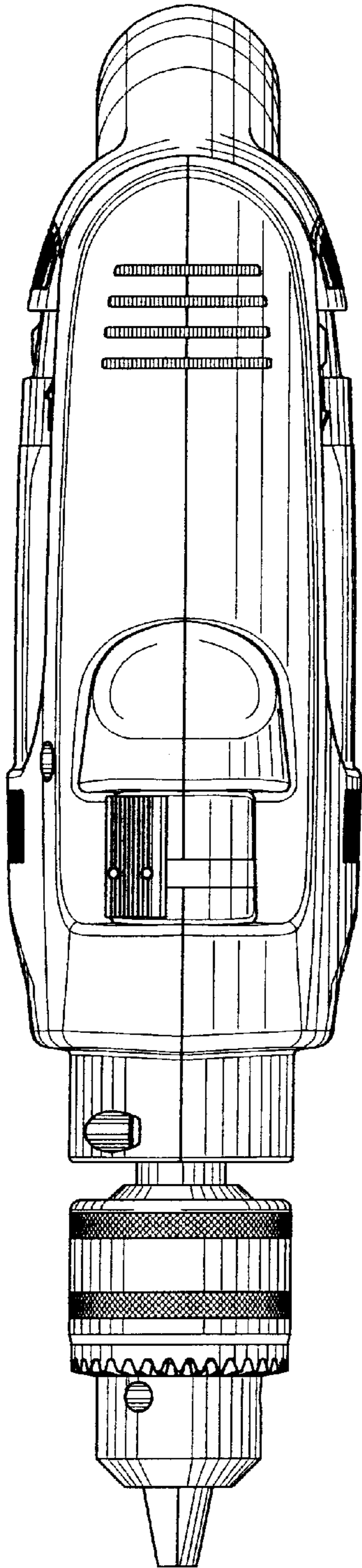


FIG. 6

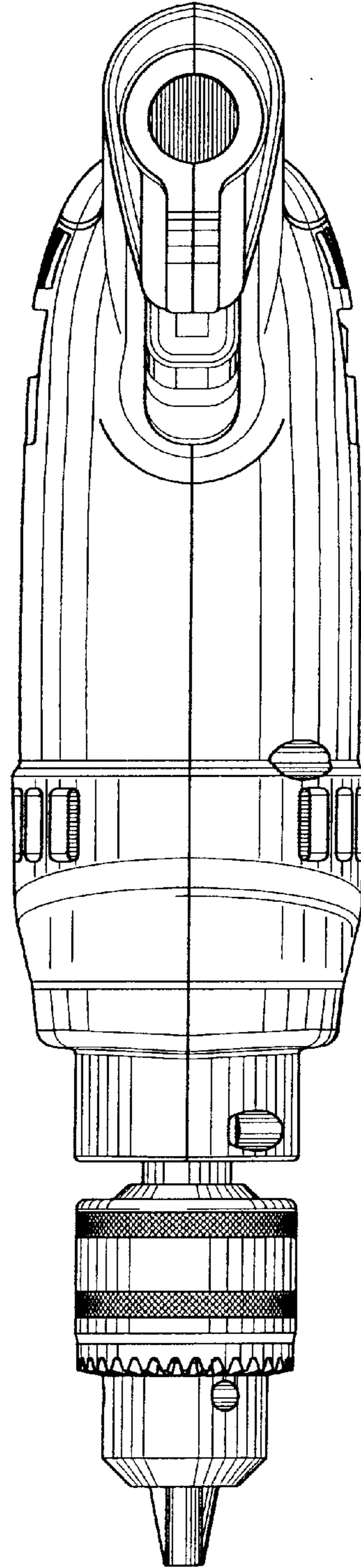


FIG. 7