



US00D486048S

(12) **United States Design Patent**
Hattori

(10) **Patent No.:** **US D486,048 S**

(45) **Date of Patent:** **** Feb. 3, 2004**

(54) **PNEUMATIC NAILING MACHINE**

(75) **Inventor:** **Takeo Hattori, Tokyo (JP)**

(73) **Assignee:** **Max Co., Ltd., Tokyo (JP)**

(**) **Term:** **14 Years**

(21) **Appl. No.:** **29/165,498**

(22) **Filed:** **Aug. 13, 2002**

(30) **Foreign Application Priority Data**

Feb. 15, 2002 (JP) 2002-003790

(51) **LOC (7) Cl. 08-05**

(52) **U.S. Cl. D8/68; D8/69**

(58) **Field of Search D8/61, 62, 63,**
D8/64, 65, 66, 67, 68, 69, 70; 81/57.11,
429, 464, 465, 466, 469, 489; 173/13, 169,
178, 213, 217; 227/8, 114, 120, 130, 136,
142; 310/50; 408/20, 124, 125, 234, 241 R;
451/358

(56) **References Cited**

U.S. PATENT DOCUMENTS

D334,329 S	*	3/1993	Ogawa et al.	D8/69
D338,606 S	*	8/1993	Oda	D8/69
D338,819 S	*	8/1993	Ohkochi	D8/69
D377,592 S	*	1/1997	Hattori	D8/68
D379,912 S	*	6/1997	Burke et al.	D8/68
D392,170 S	*	3/1998	Hattori	D8/68
D396,178 S	*	7/1998	Hattori	D8/68
5,816,469 A	*	10/1998	Ohuchi	227/120
D421,884 S	*	3/2000	Hattori	D8/69
D435,206 S	*	12/2000	Etter et al.	D8/68
D435,770 S	*	1/2001	Arai	D8/68

D438,079 S	*	2/2001	Hattori	D8/69
6,199,739 B1	*	3/2001	Mukoyama et al.	227/120
D447,031 S	*	8/2001	Oh	D8/63
D462,884 S	*	9/2002	Oh	D8/69
D466,781 S	*	12/2002	Matsuoka et al.	D8/69
6,494,355 B2	*	12/2002	Adachi et al.	227/120
6,502,737 B2	*	1/2003	Akiba	227/120
D475,597 S	*	6/2003	Arai	D8/69

FOREIGN PATENT DOCUMENTS

JP	971629 S	1/1997
JP	971629 S	1/1998

* cited by examiner

Primary Examiner—Doris V. Coles

Assistant Examiner—T. Chase Nelson

(74) *Attorney, Agent, or Firm*—Morgan, Lewis & Bockius LLP

(57) **CLAIM**

The ornamental design for a pneumatic nailing machine, as shown and described.

DESCRIPTION

FIG. 1 is a front and left side perspective view of a pneumatic nailing machine showing my new design;

FIG. 2 is a front view thereof;

FIG. 3 is a rear view thereof;

FIG. 4 is a top plan view thereof;

FIG. 5 is a bottom view thereof;

FIG. 6 is a right side view thereof; and,

FIG. 7 is a left side view thereof.

The broken line portions show environmental structure for illustrative purposes and form no part of the claimed design.

1 Claim, 5 Drawing Sheets

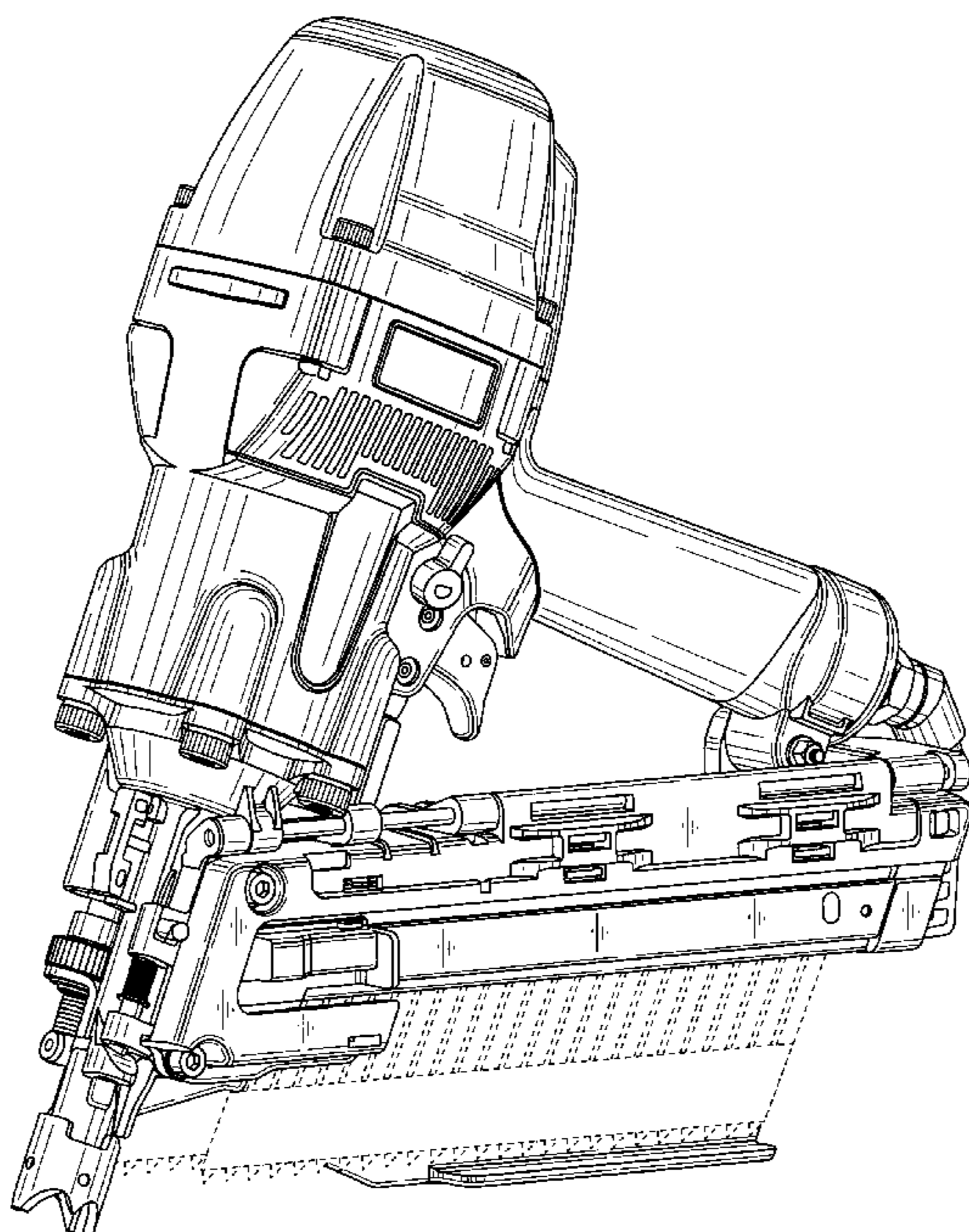


FIG. 1

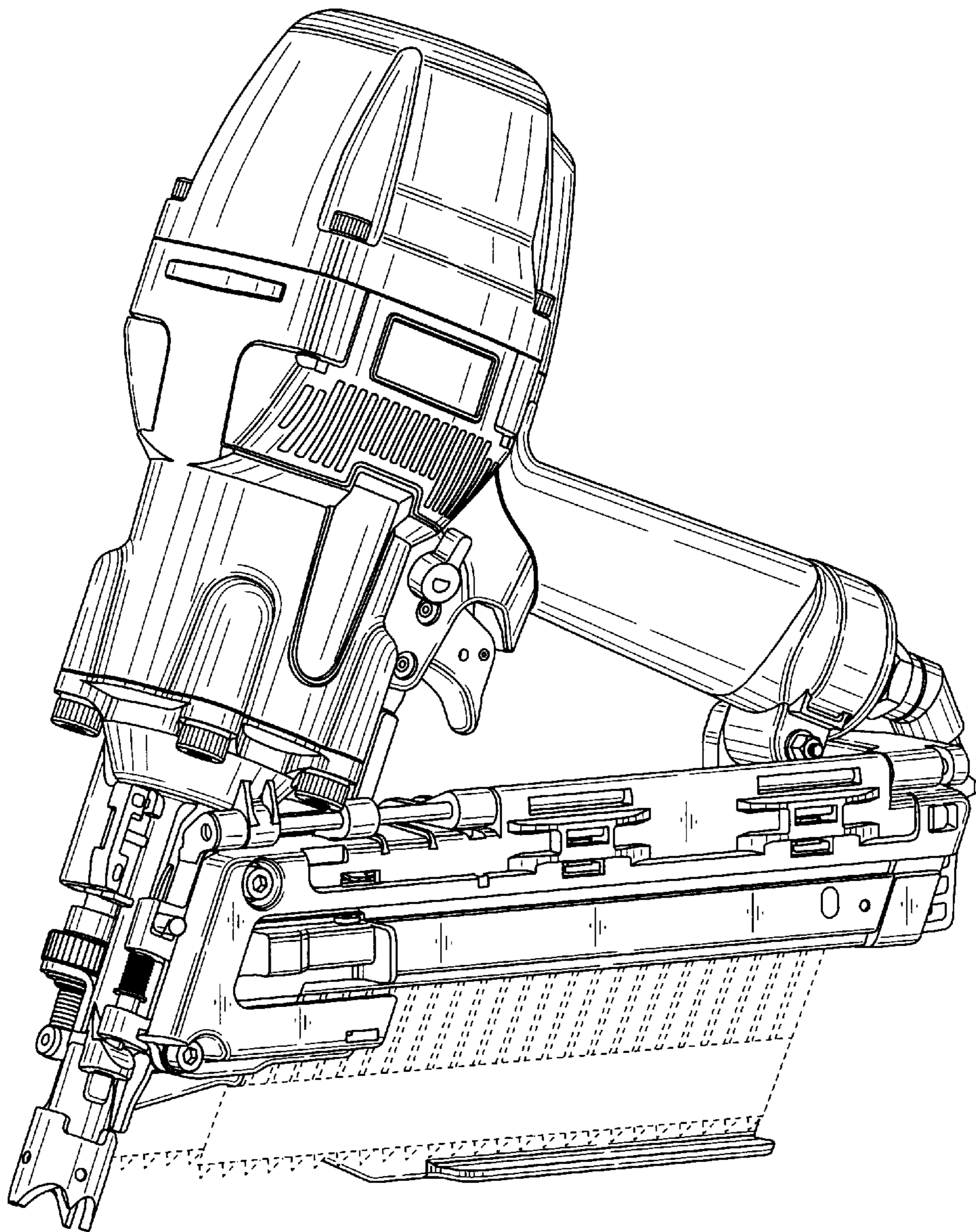


FIG. 2

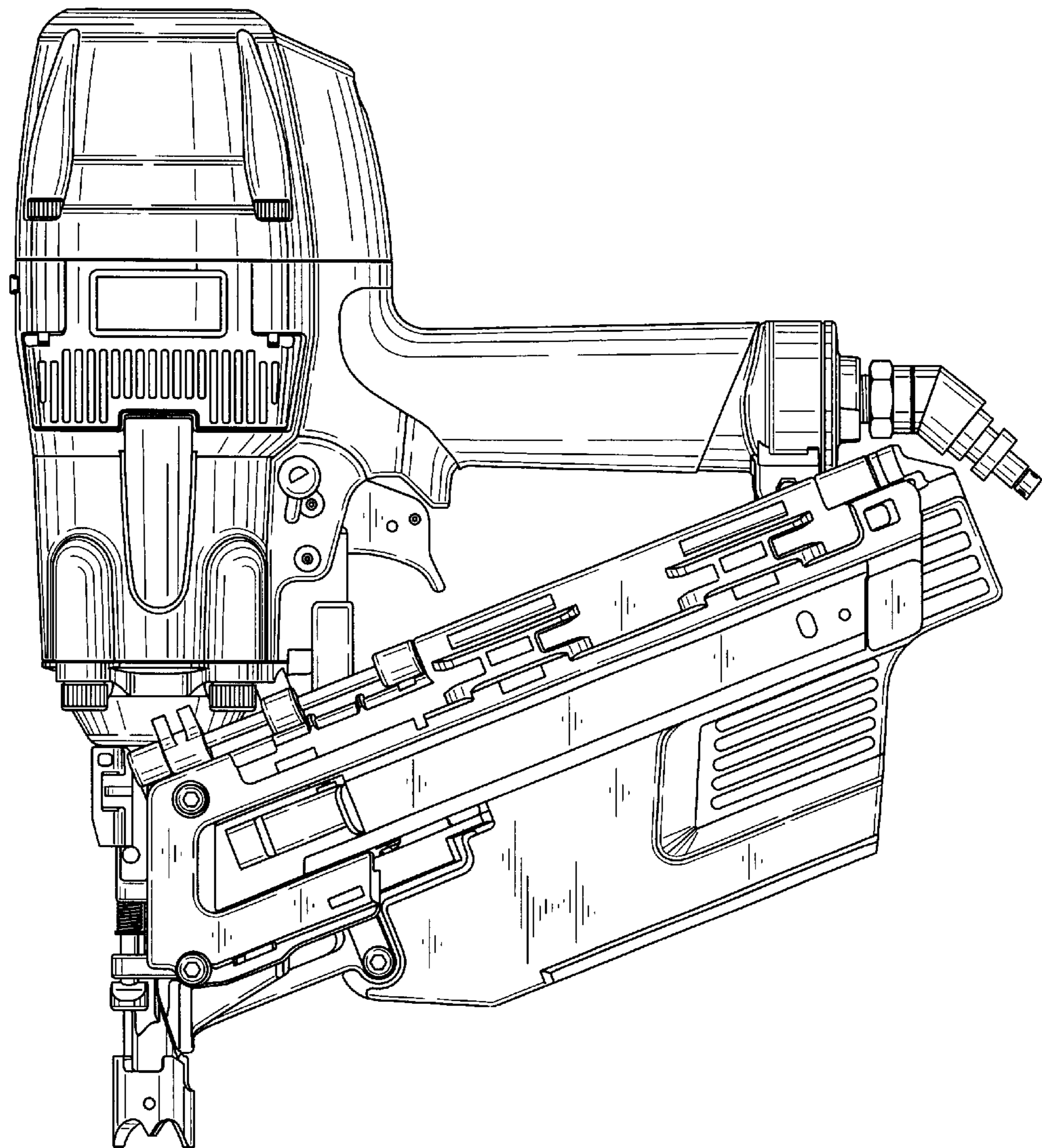


FIG. 3

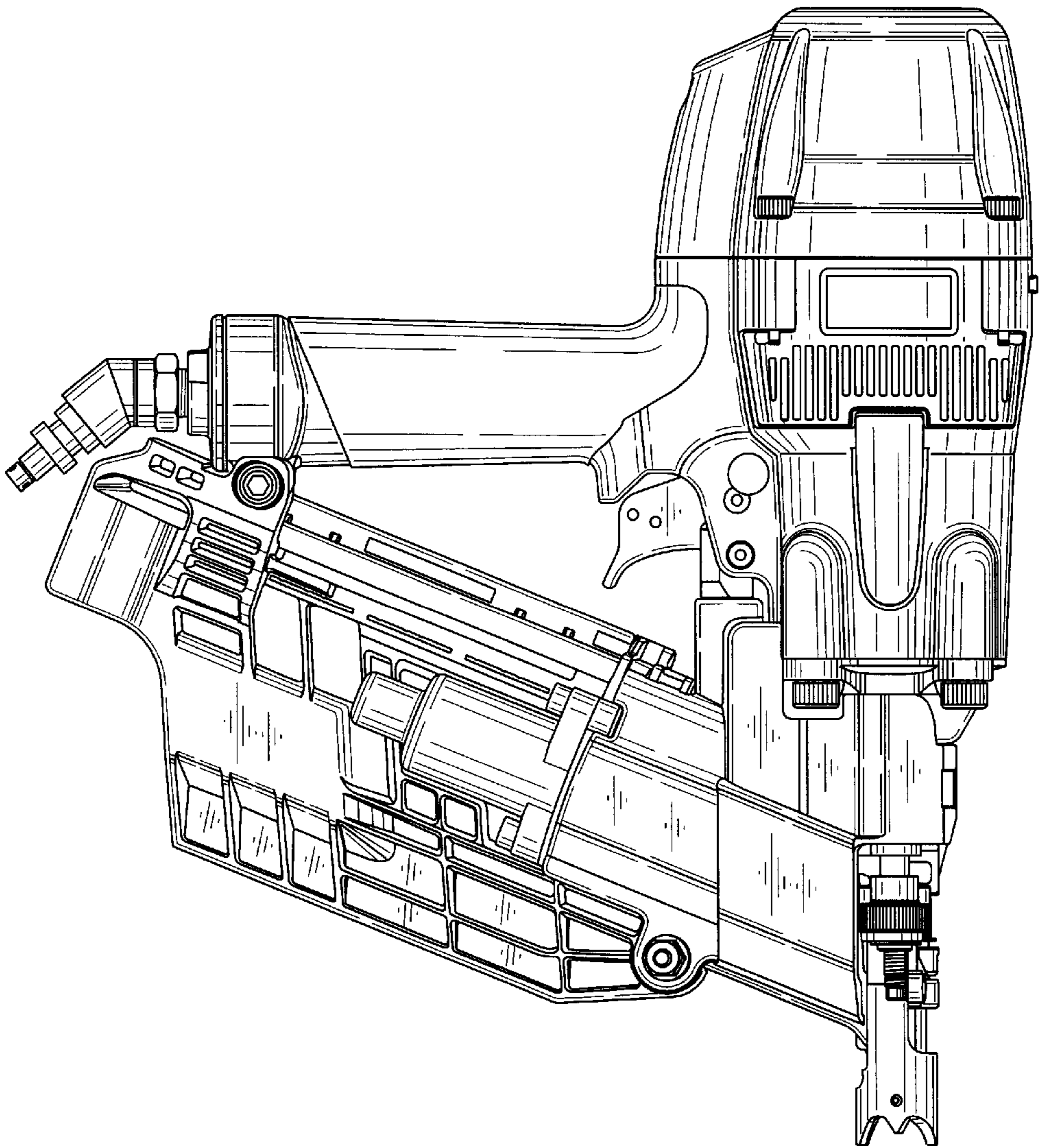


FIG. 4

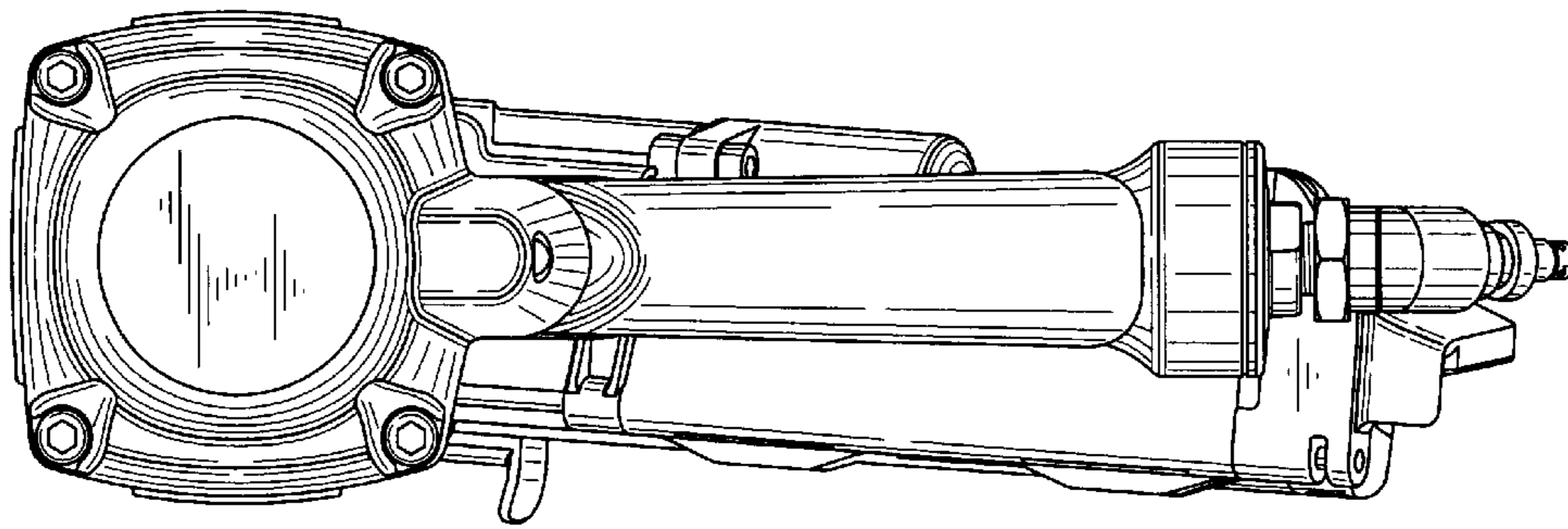


FIG. 5

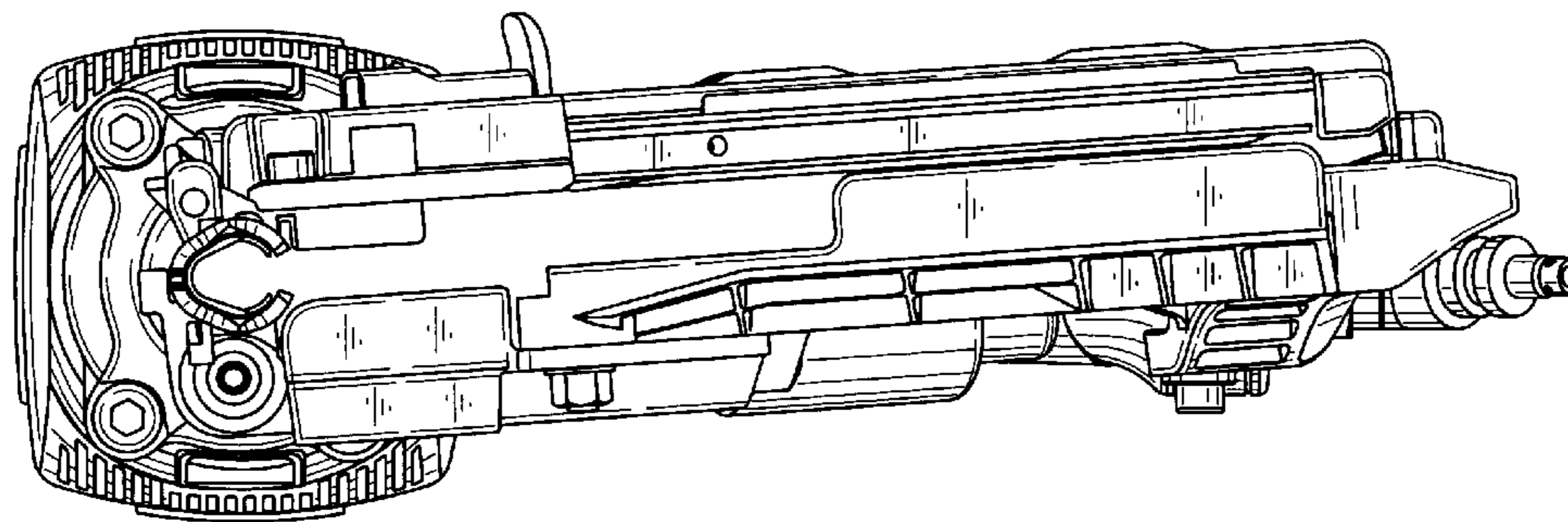


FIG. 6

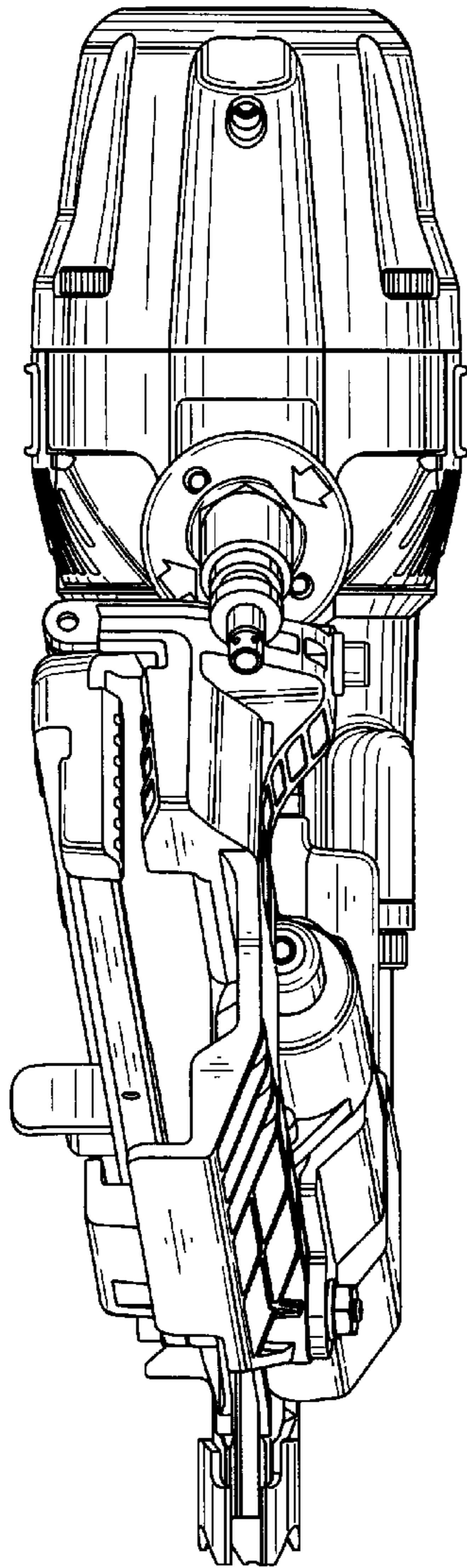


FIG. 7

