



US00D486043S

(12) **United States Design Patent**
Bennett

(10) **Patent No.:** **US D486,043 S**

(45) **Date of Patent:** **** Feb. 3, 2004**

(54) **SHOVEL HANDLE**

(76) Inventor: **Gregory T. Bennett**, 2436 Wallace Ave., Spartanburg, SC (US) 29302

(**) Term: **14 Years**

(21) Appl. No.: **29/179,198**

(22) Filed: **Apr. 7, 2003**

(51) **LOC (7) Cl.** **08-01**

(52) **U.S. Cl.** **D8/10**

(58) **Field of Search** D8/10-11, 13;
294/49, 54.5, 55, 57; 178/378, 372, 380;
D21/532

(56) **References Cited**

U.S. PATENT DOCUMENTS

1,898,234 A * 2/1933 Anderson 294/54.5
2,937,046 A * 5/1960 Olvey 294/49
D262,259 S * 12/1981 Terpening D8/10

5,046,254 A * 9/1991 Russell 30/309
D395,927 S * 7/1998 Frelander D21/532
D459,641 S * 7/2002 Guneyasu D8/10

* cited by examiner

Primary Examiner—Holly Baynham
(74) *Attorney, Agent, or Firm*—Richard L. Huff

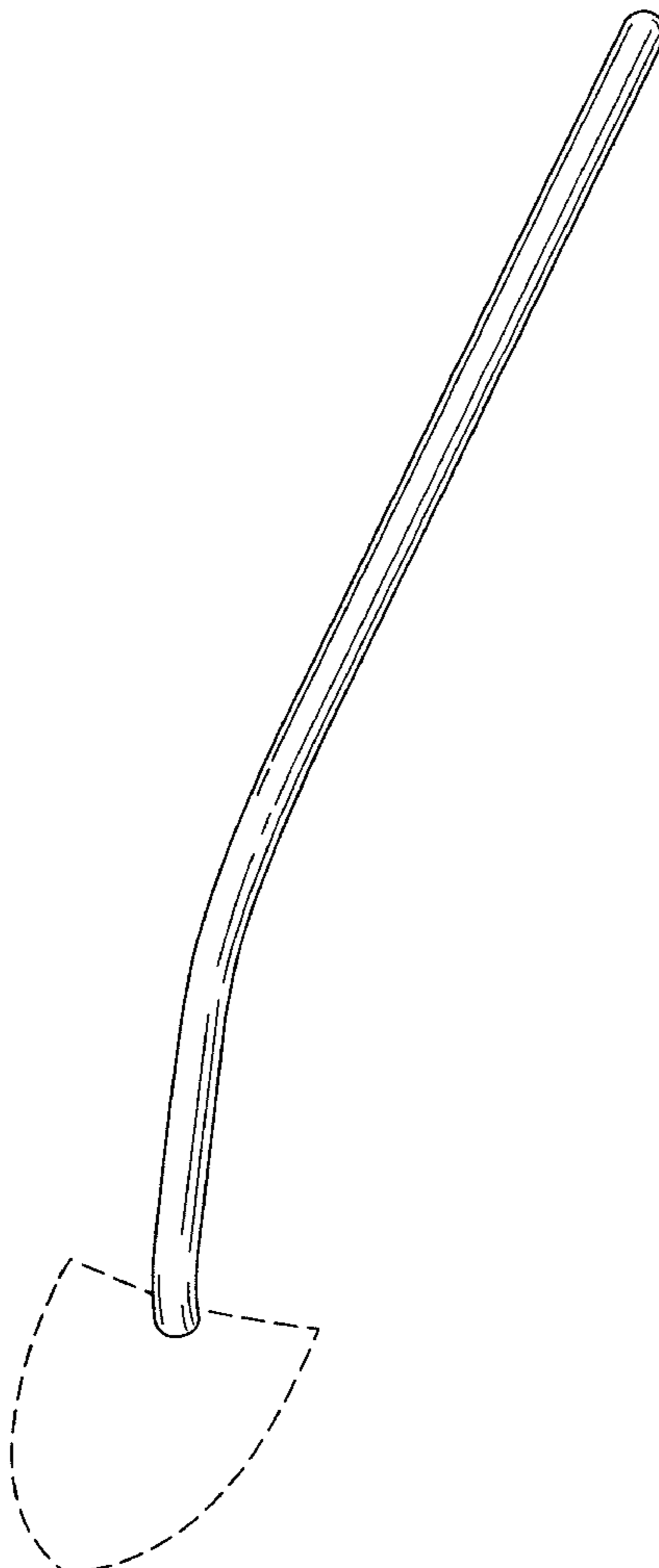
(57) **CLAIM**

The ornamental design for the shovel handle, as shown.

DESCRIPTION

FIG. 1 is a perspective view of a shovel handle.
FIG. 2 is a bottom view of the shovel handle.
FIG. 3 is a front view of the shovel handle.
FIG. 4 is a top view of the shovel handle; and,
FIG. 5 is a side view of the shovel handle.
The broken line showing of a shovel blade is for illustrative purposes only and forms no part of the claimed design.

1 Claim, 5 Drawing Sheets



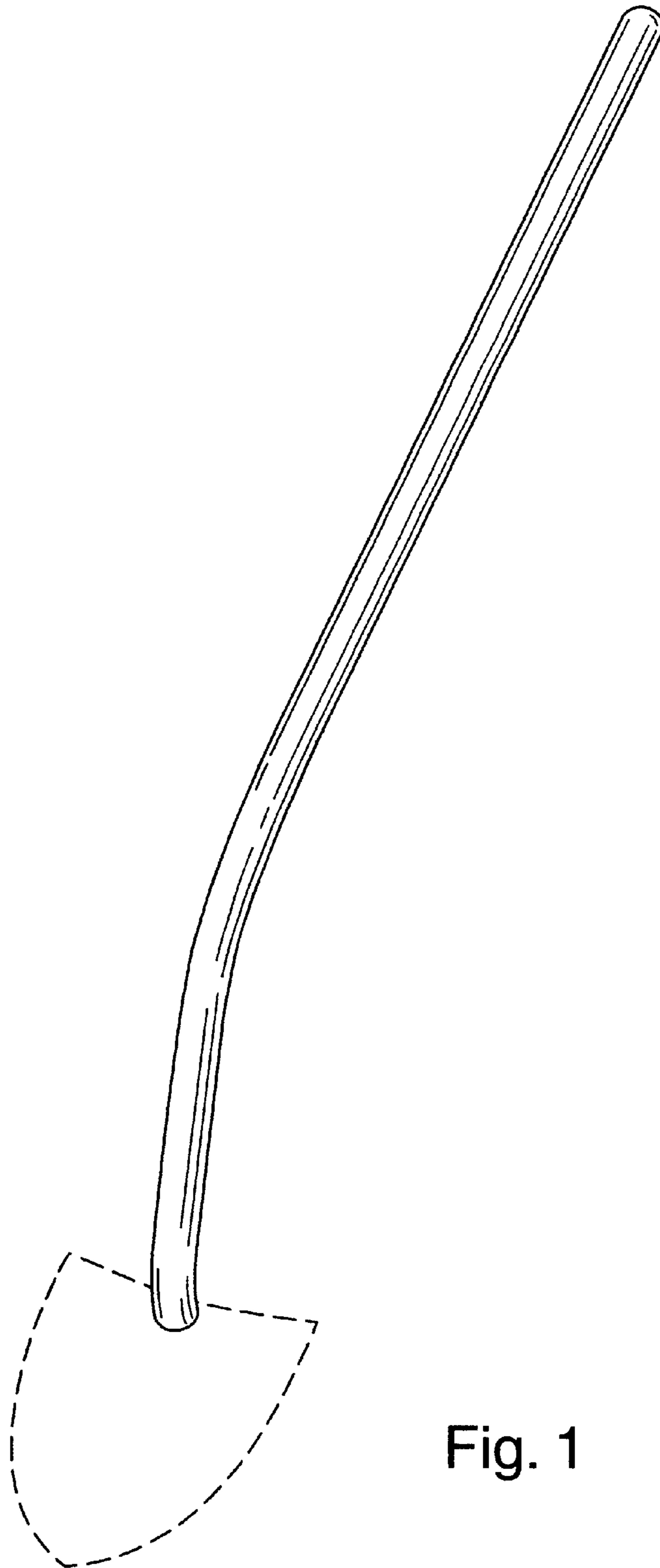


Fig. 1

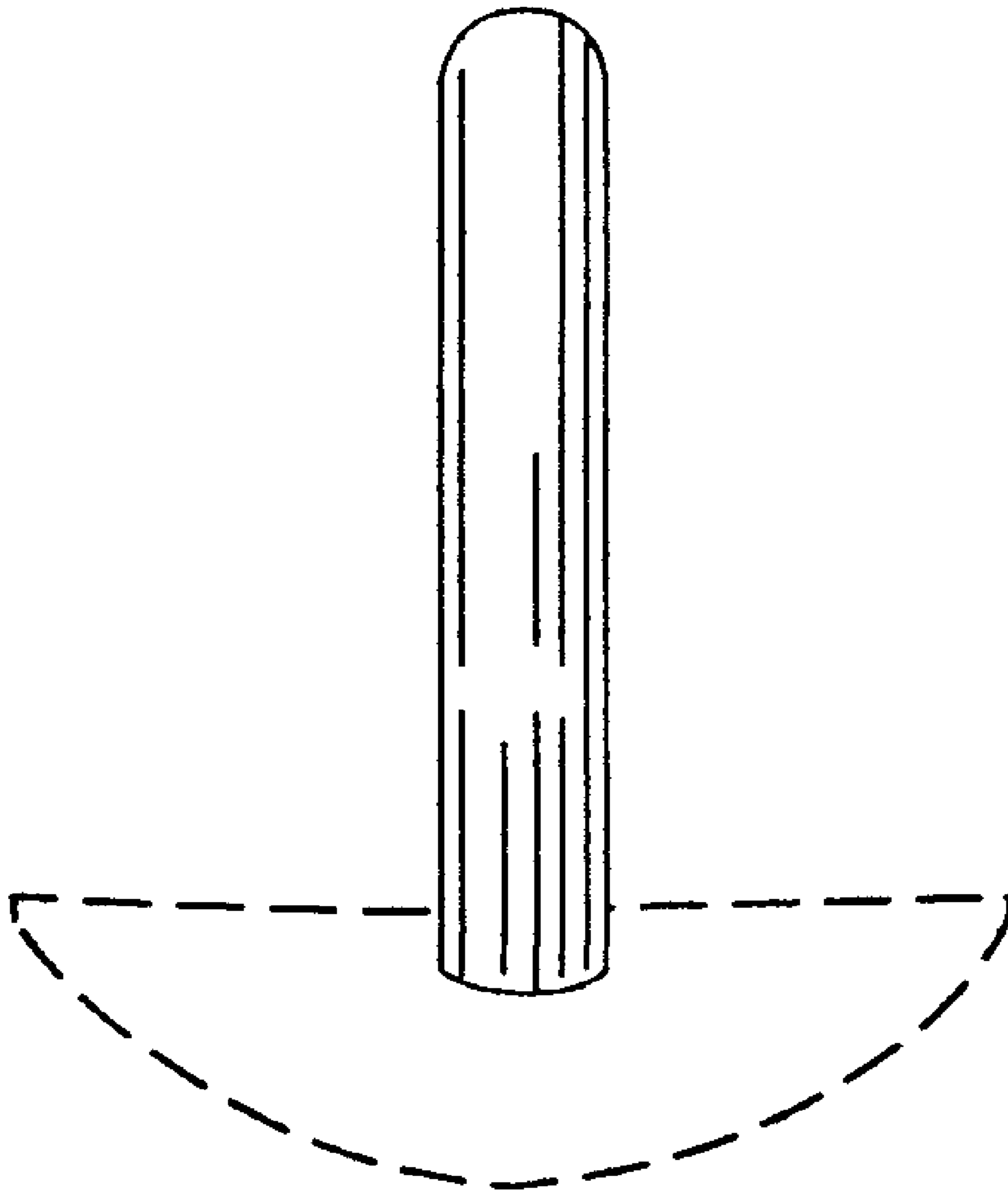
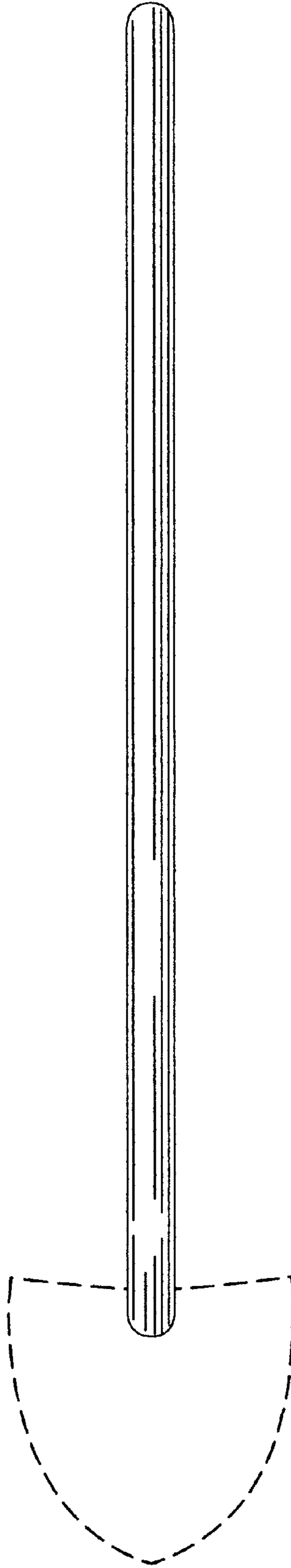


Fig. 2

Fig 3



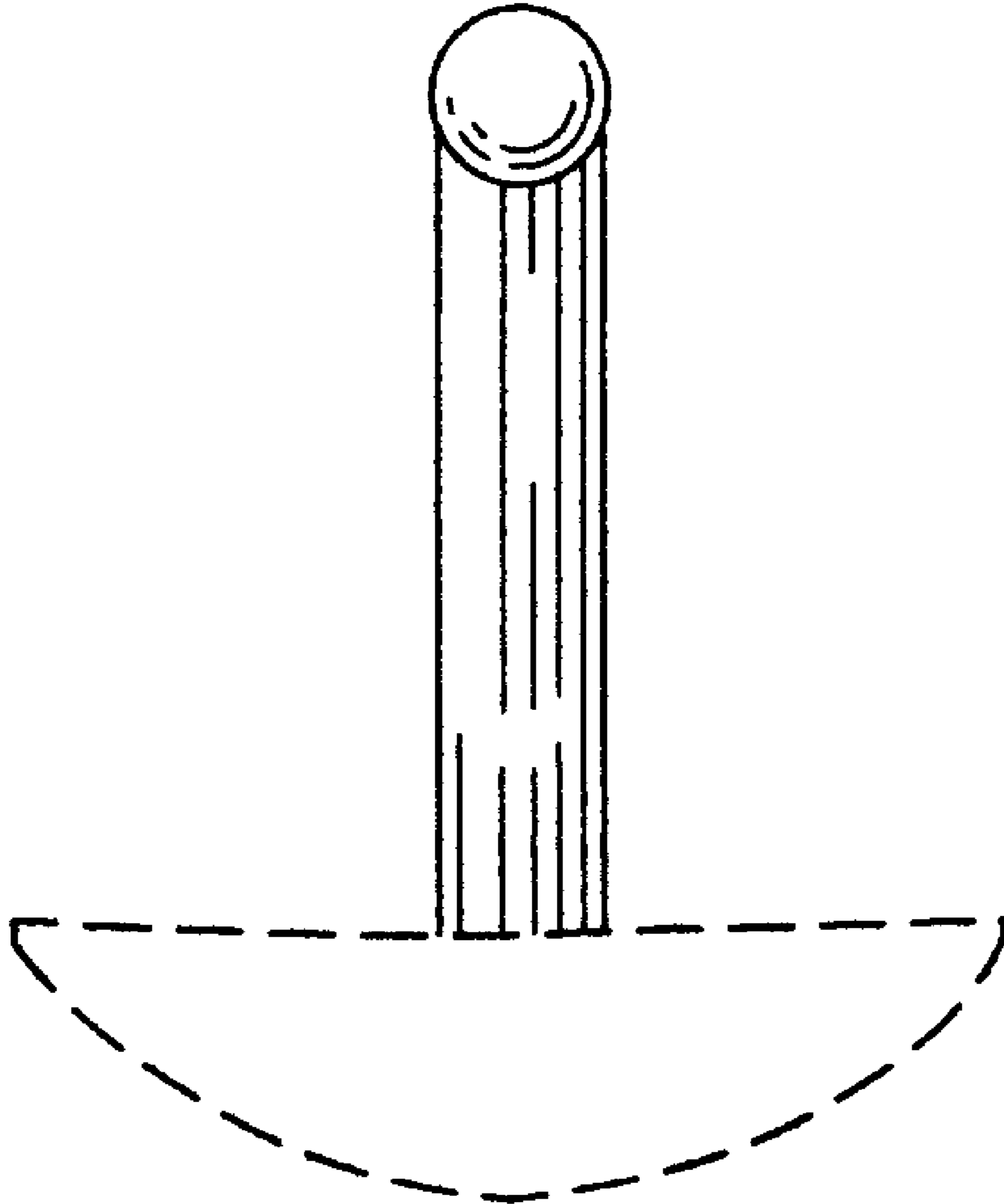


Fig. 4

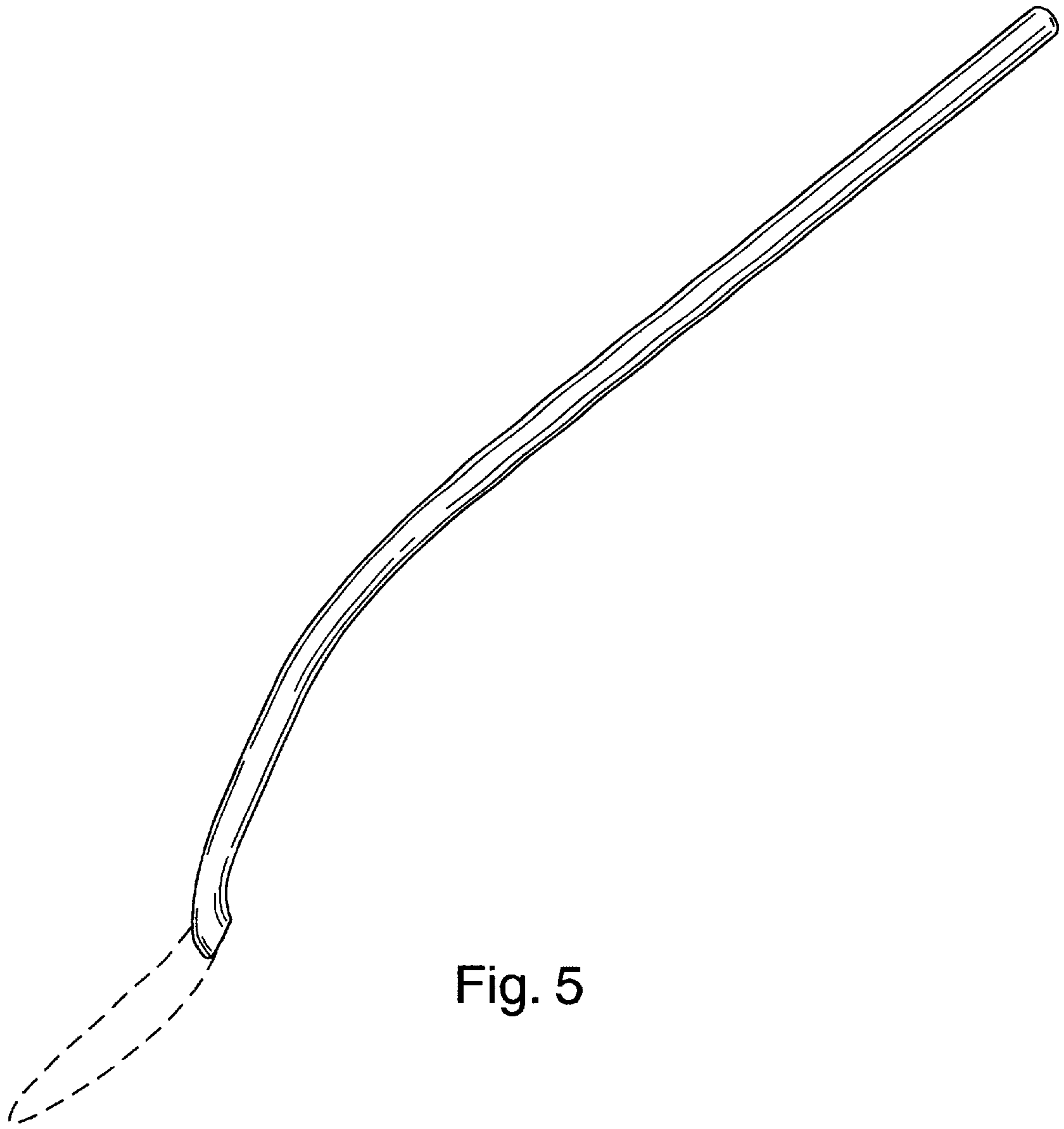


Fig. 5