



US00D486040S

(12) **United States Design Patent**  
**Lo et al.**

(10) **Patent No.:** **US D486,040 S**  
(45) **Date of Patent:** **\*\* Feb. 3, 2004**

(54) **VEGETABLE SPIN DRIER**

6,000,321 A \* 12/1999 Maruyama ..... 99/495

(76) Inventors: **Yi Ming Lo**, P.O. Box 1866, Cranford,  
NJ (US) 07016; **Chun Kai Lee**, 3  
Turner La., Towaco, NJ (US) 07082

\* cited by examiner

*Primary Examiner*—Terry A. Wallace  
(74) *Attorney, Agent, or Firm*—Lin & Li

(\*\*) Term: **14 Years**

(57) **CLAIM**

(21) Appl. No.: **29/177,563**

The ornamental design for a vegetable spin drier, as shown and described.

(22) Filed: **Mar. 12, 2003**

(51) **LOC (7) Cl.** ..... **31-00**

(52) **U.S. Cl.** ..... **D7/665**

(58) **Field of Search** ..... D7/665; 34/58;  
99/479, 495, 511-513; 210/360.1

**DESCRIPTION**

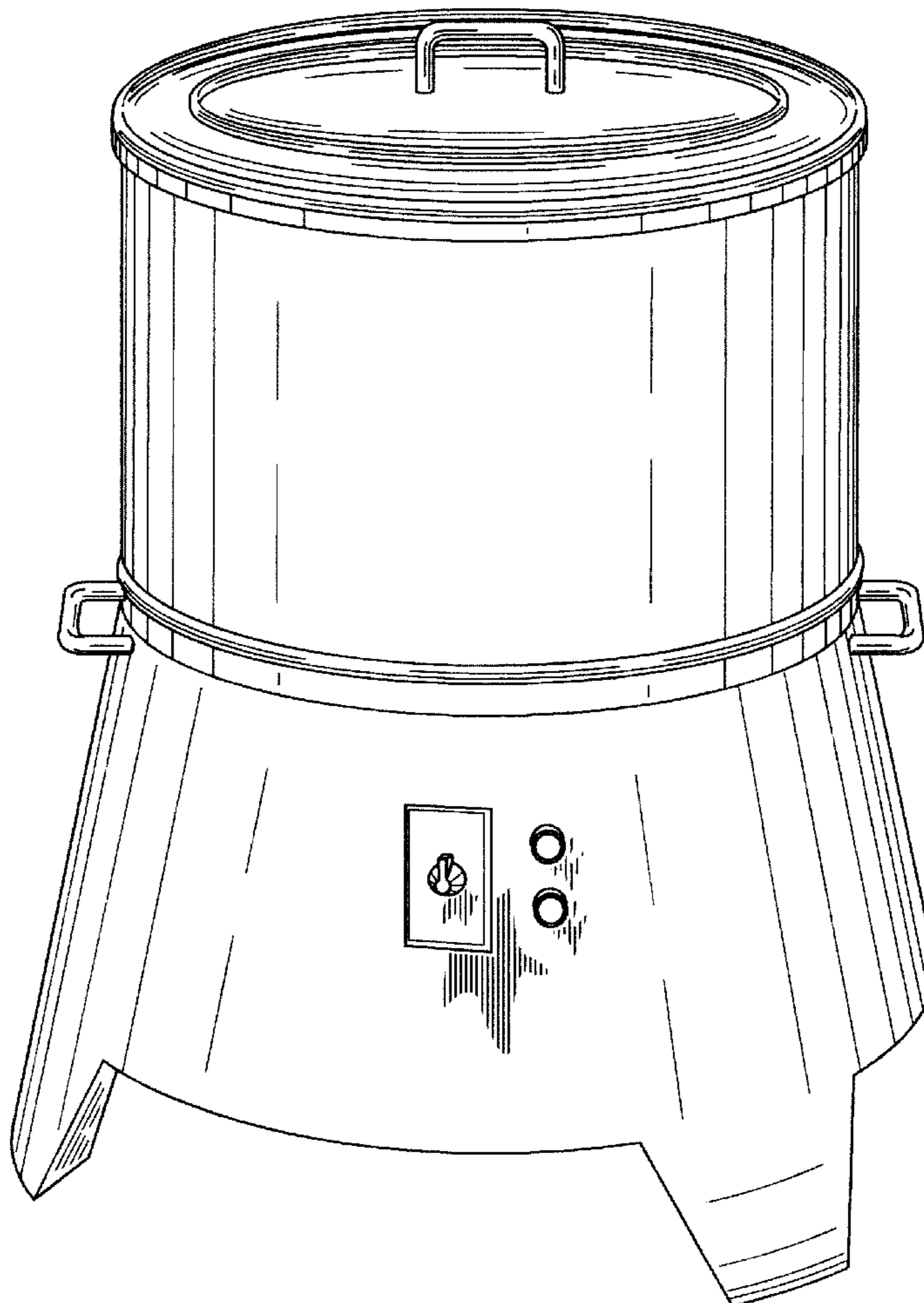
FIG. 1 is a perspective view of a vegetable spin drier showing our new design;  
FIG. 2 is a front elevational view thereof;  
FIG. 3 is a right side elevational view thereof;  
FIG. 4 is a left side elevational view thereof,  
FIG. 5 is a back elevational view thereof  
FIG. 6 is a top plan view thereof; and,  
FIG. 7 is a bottom plan view thereof.

(56) **References Cited**

**U.S. PATENT DOCUMENTS**

- 4,090,310 A \* 5/1978 Koff ..... 34/58
- 4,189,850 A \* 2/1980 Dieterich et al. .... 34/58
- 5,054,209 A \* 10/1991 Koff ..... 34/58
- 5,778,769 A \* 7/1998 Dodson ..... 99/495

**1 Claim, 6 Drawing Sheets**



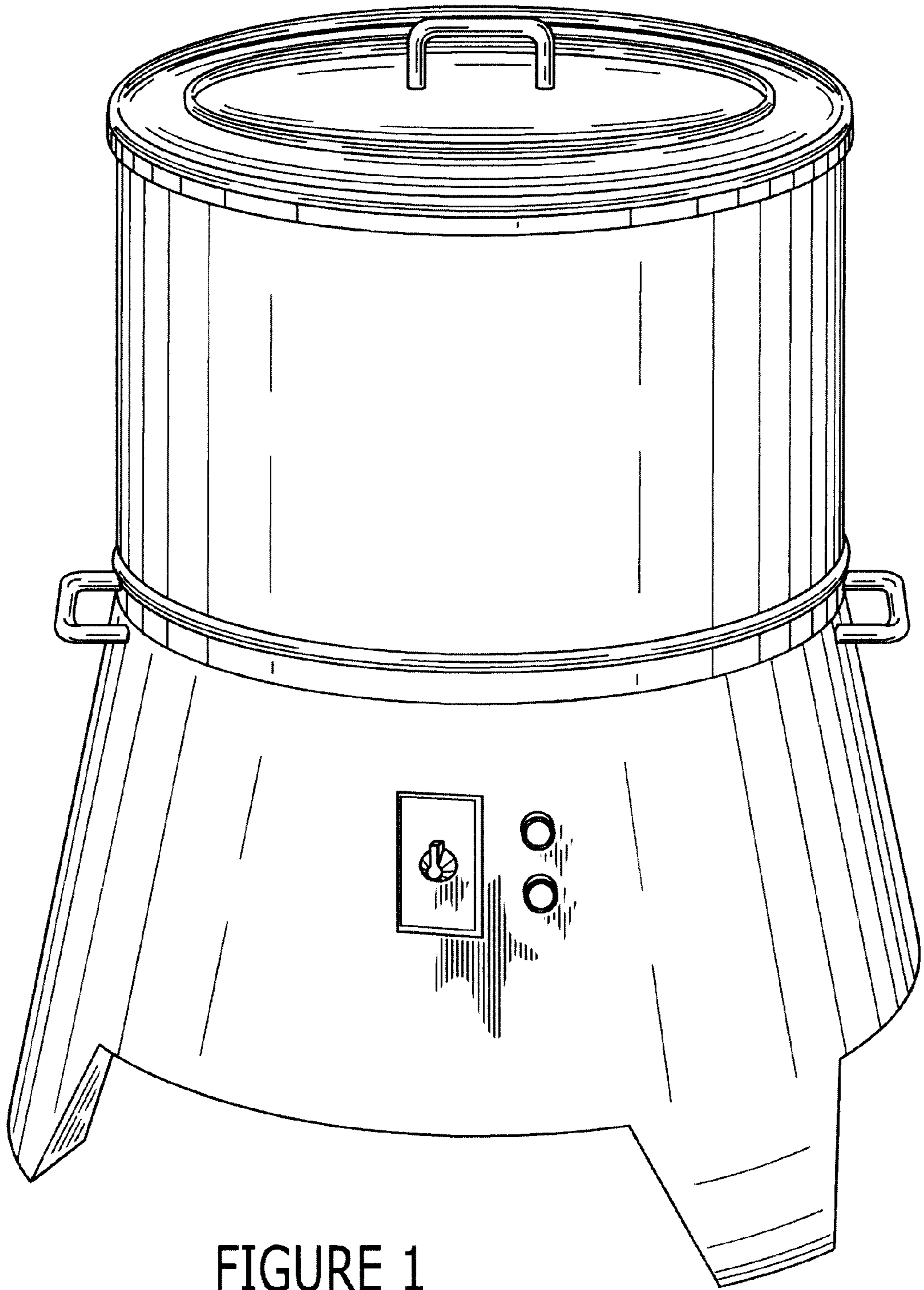


FIGURE 1

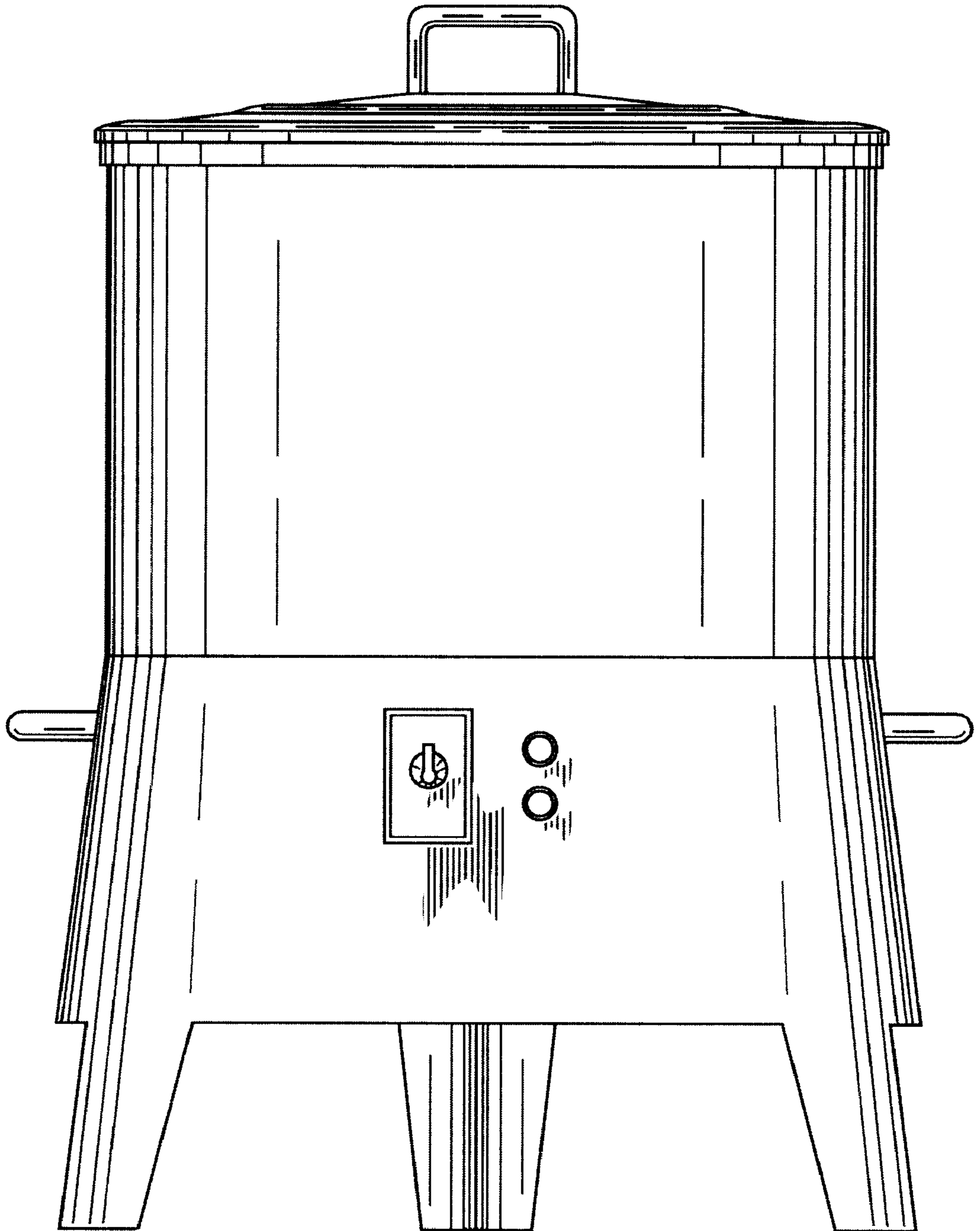


FIGURE 2

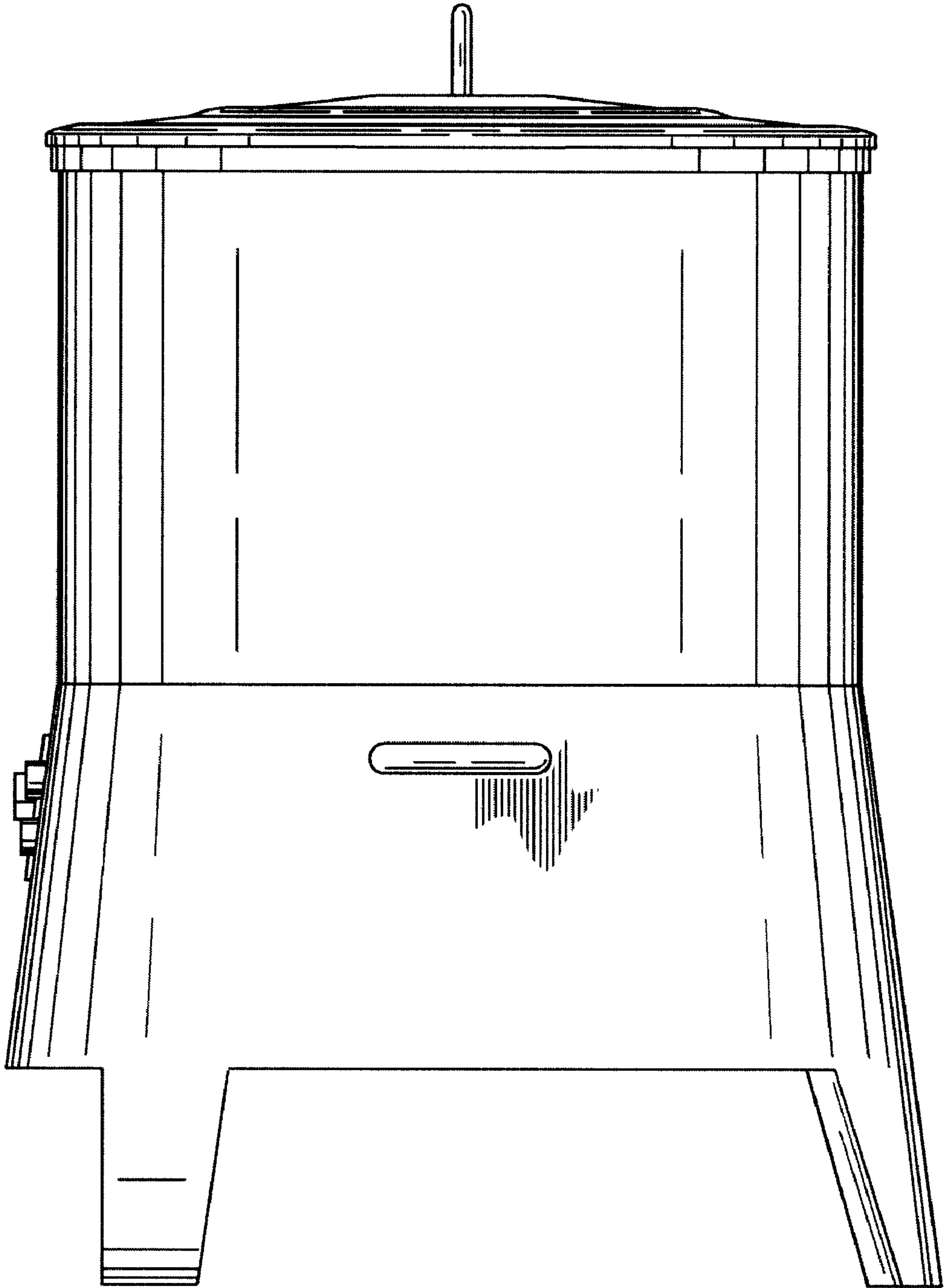


FIGURE 3

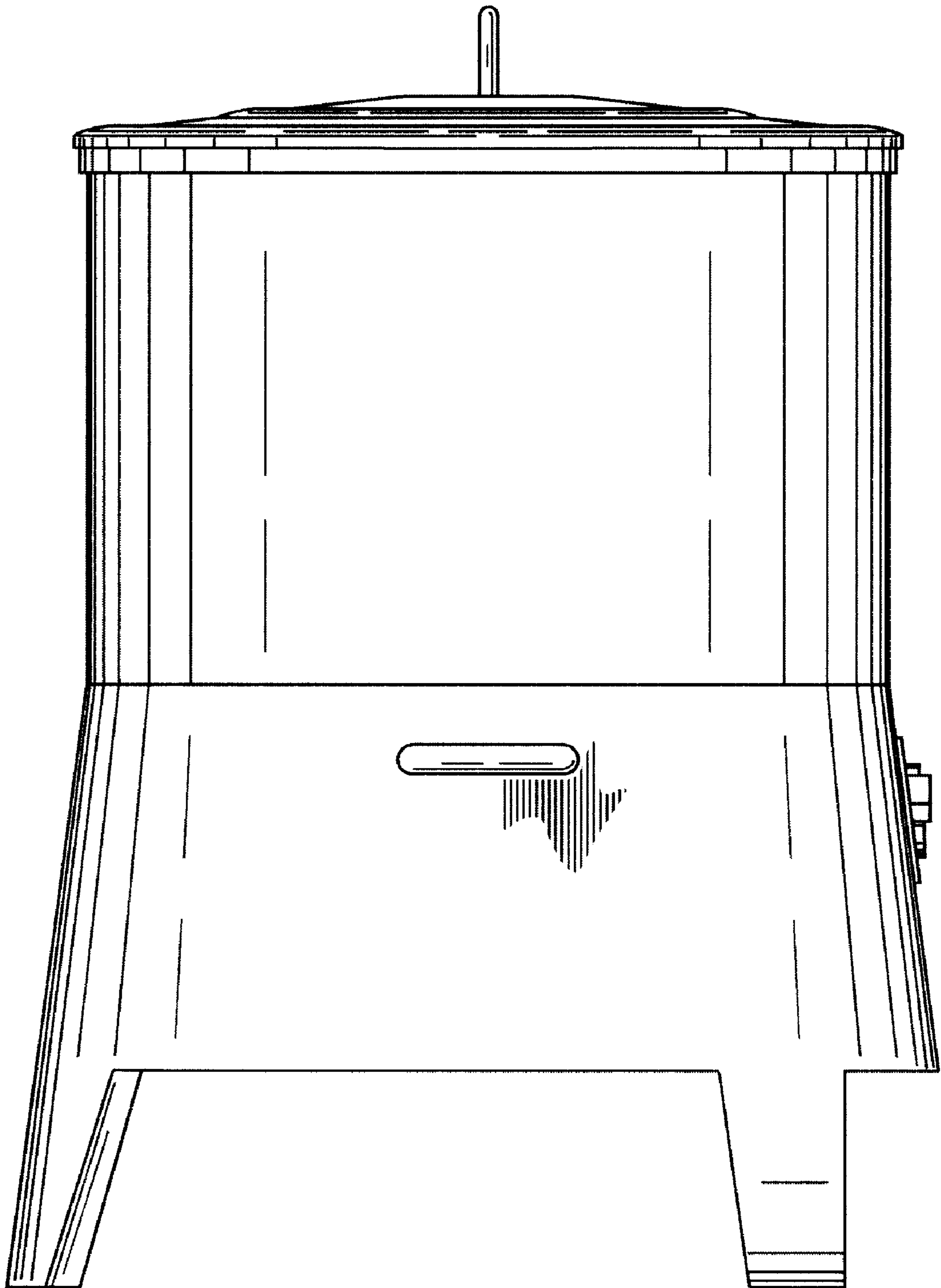


FIGURE 4

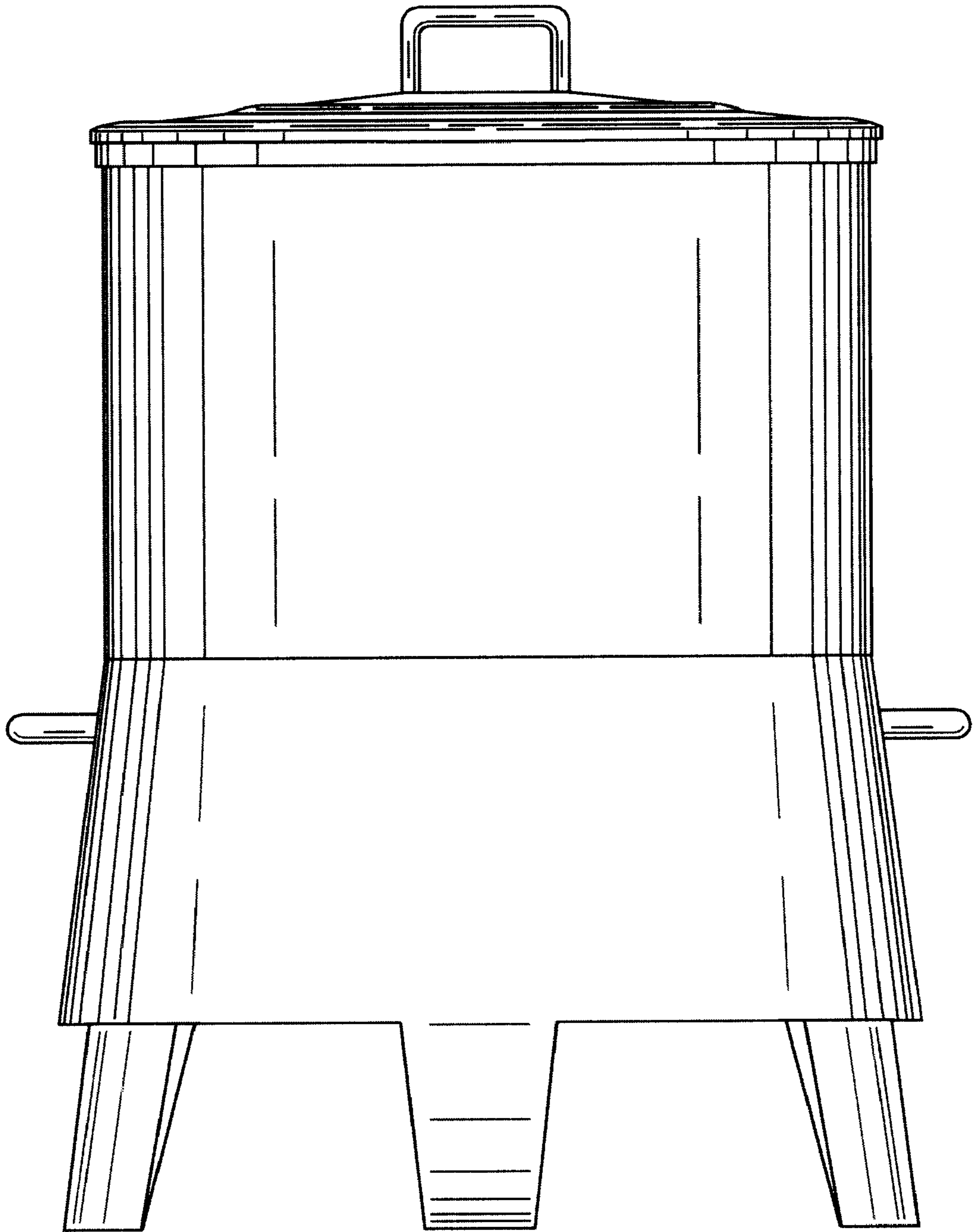


FIGURE 5

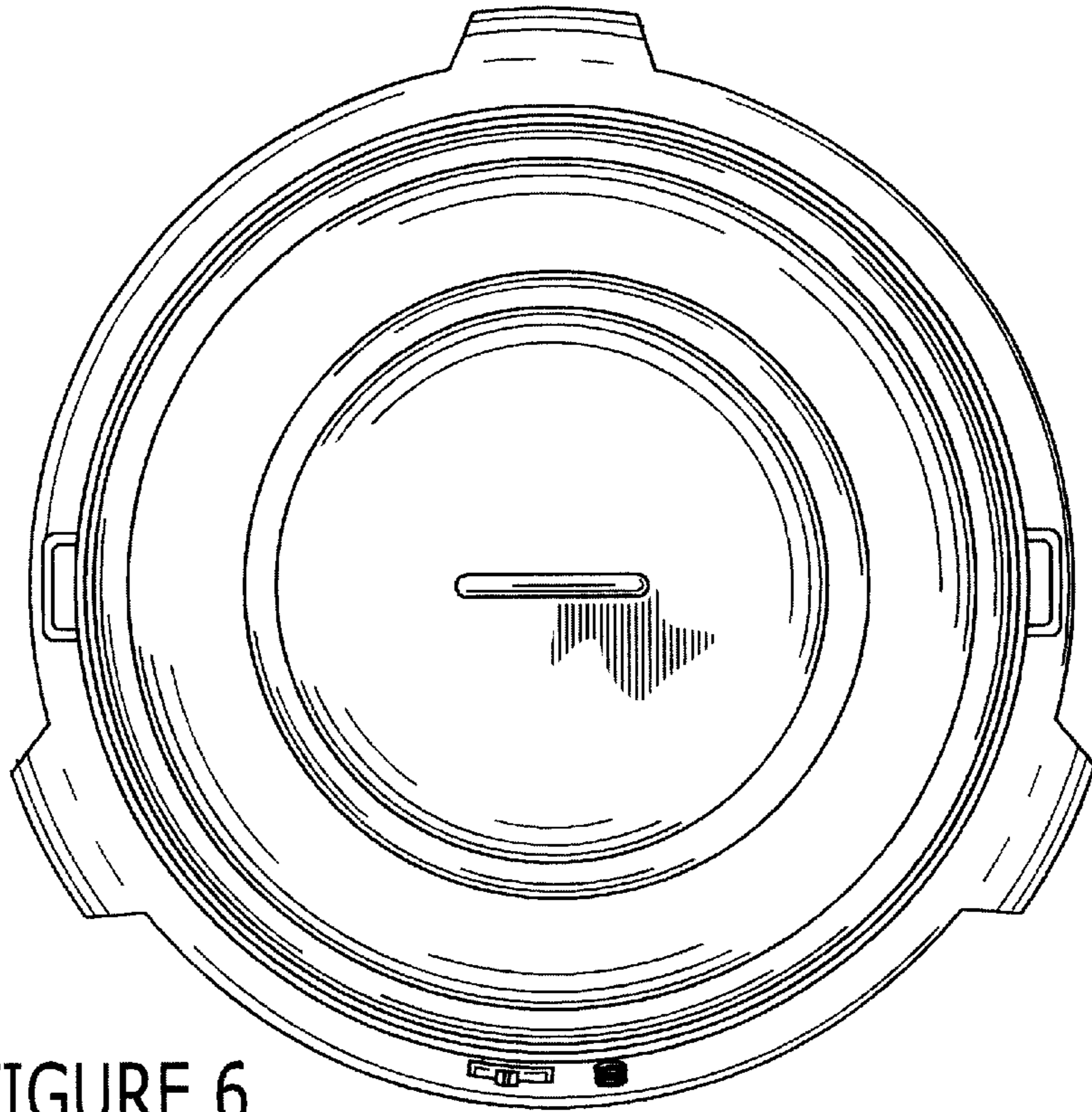


FIGURE 6

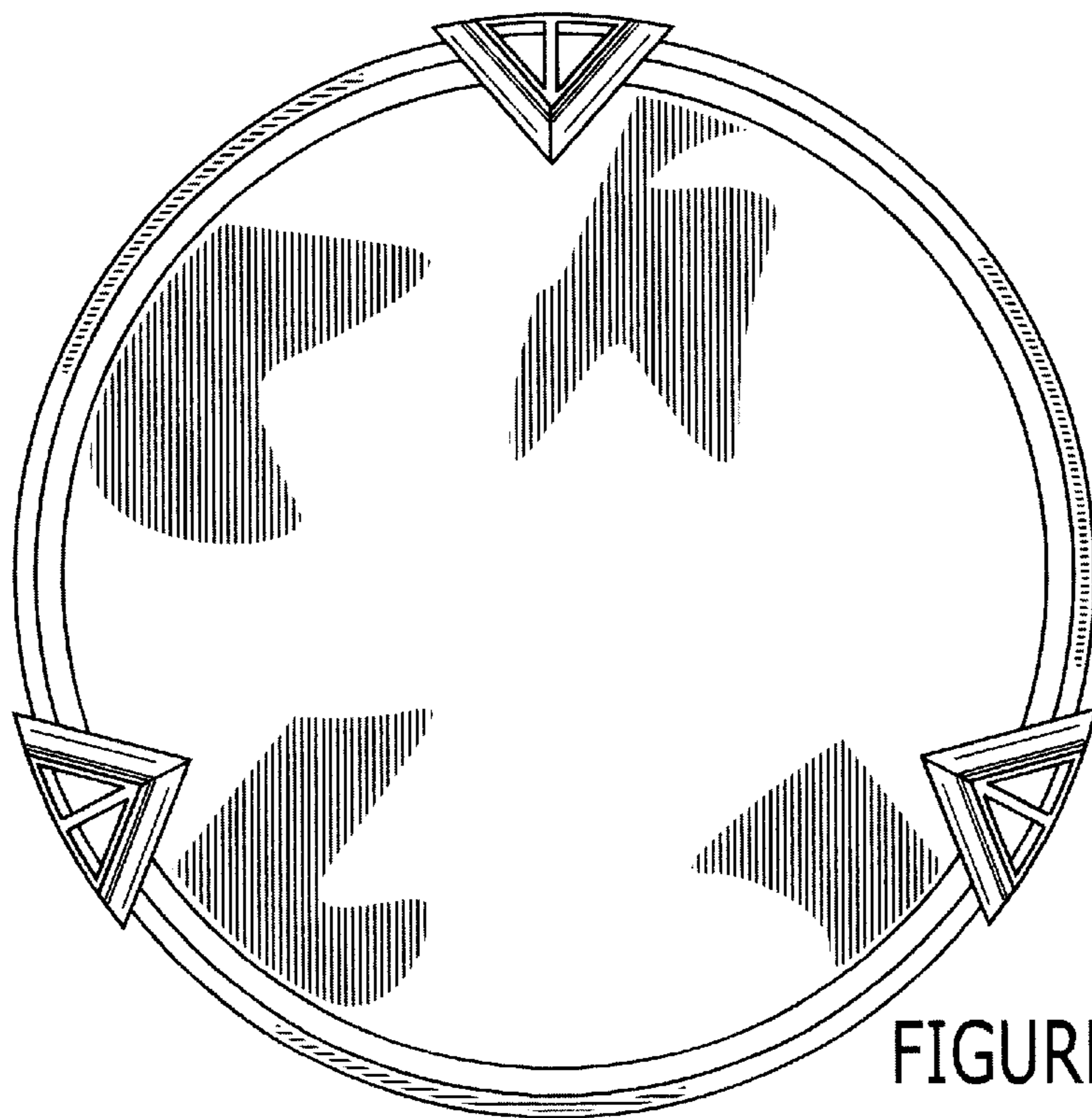


FIGURE 7