



US00D486039S

(12) **United States Design Patent**
Kasper

(10) **Patent No.:** **US D486,039 S**

(45) **Date of Patent:** **** Feb. 3, 2004**

(54) **GUM STORAGE CASE**

D449,782 S * 10/2001 Diaz D7/629

(76) Inventor: **James A. Kasper**, 8801 Chowen Ave.
S., Bloomington, MN (US) 55431

* cited by examiner

Primary Examiner—Terry A. Wallace

(**) Term: **14 Years**

(57) **CLAIM**

(21) Appl. No.: **29/172,569**

The ornamental design for a gum storage case, as shown and described.

(22) Filed: **Dec. 16, 2002**

DESCRIPTION

(51) **LOC (7) Cl.** **07-01**

(52) **U.S. Cl.** **D7/629**

(58) **Field of Search** D7/601, 629; D9/339,
D9/423, 424, 432; D3/201–206, 273, 274;
D27/172, 183, 186–193; 99/28, 99; 206/800;
221/198, 279

FIG. 1 is a top plan view of a gum storage case showing my new design.

FIG. 2 is a bottom plan view of the gum storage case.

FIG. 3 is a back elevational view of the gum storage case.

FIG. 4 is a front elevational view of the gum storage case.

FIG. 5 is a side elevational view of the gum storage case; and,

FIG. 6 is a perspective view of the gum storage case.

The broken lines are for illustrative purposes only and form no part of the claimed design.

(56) **References Cited**

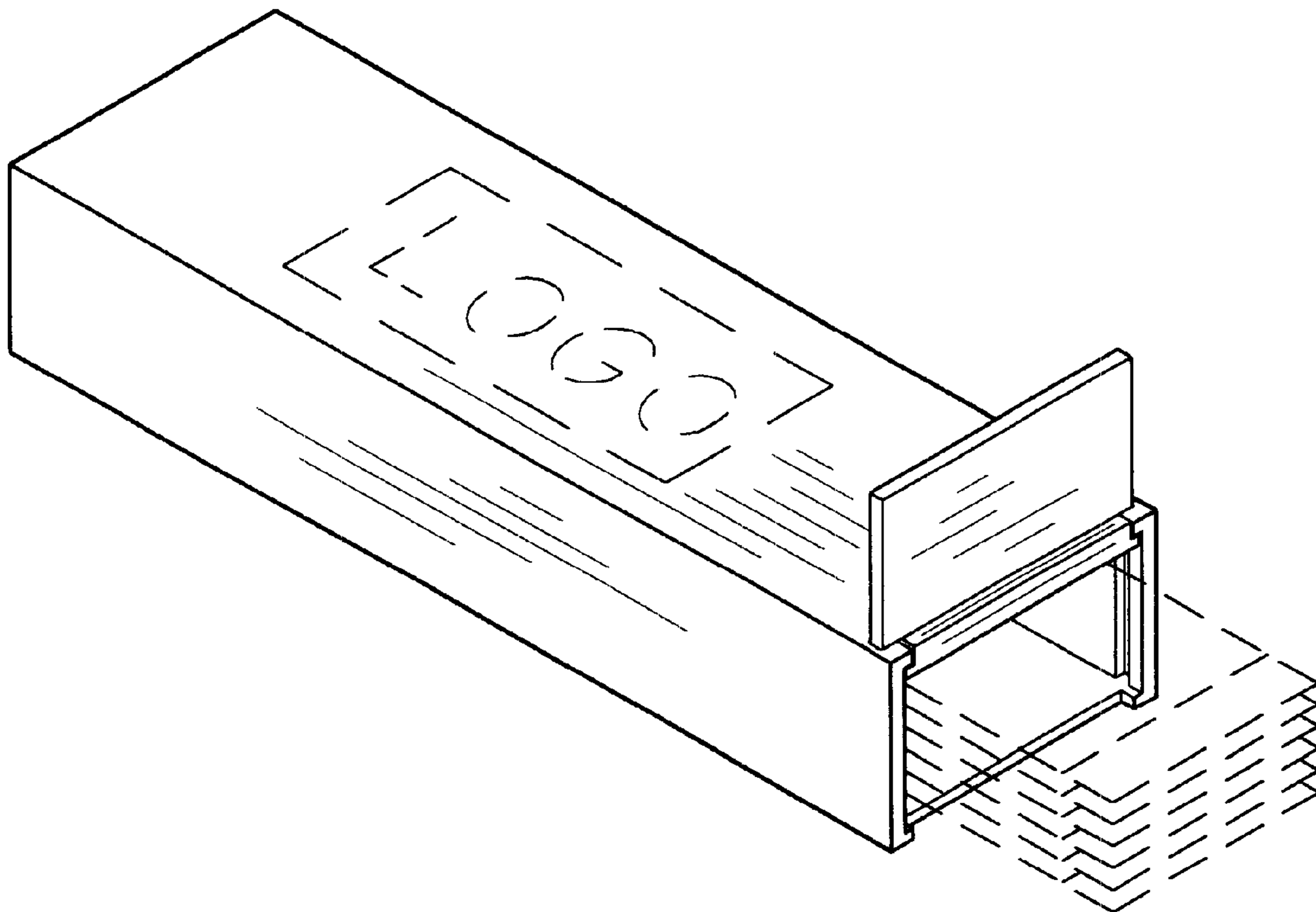
U.S. PATENT DOCUMENTS

2,988,209 A * 6/1961 Parrilla 206/800

5,353,956 A * 10/1994 Wilson 221/198

D412,279 S * 7/1999 Brice D7/629

1 Claim, 2 Drawing Sheets



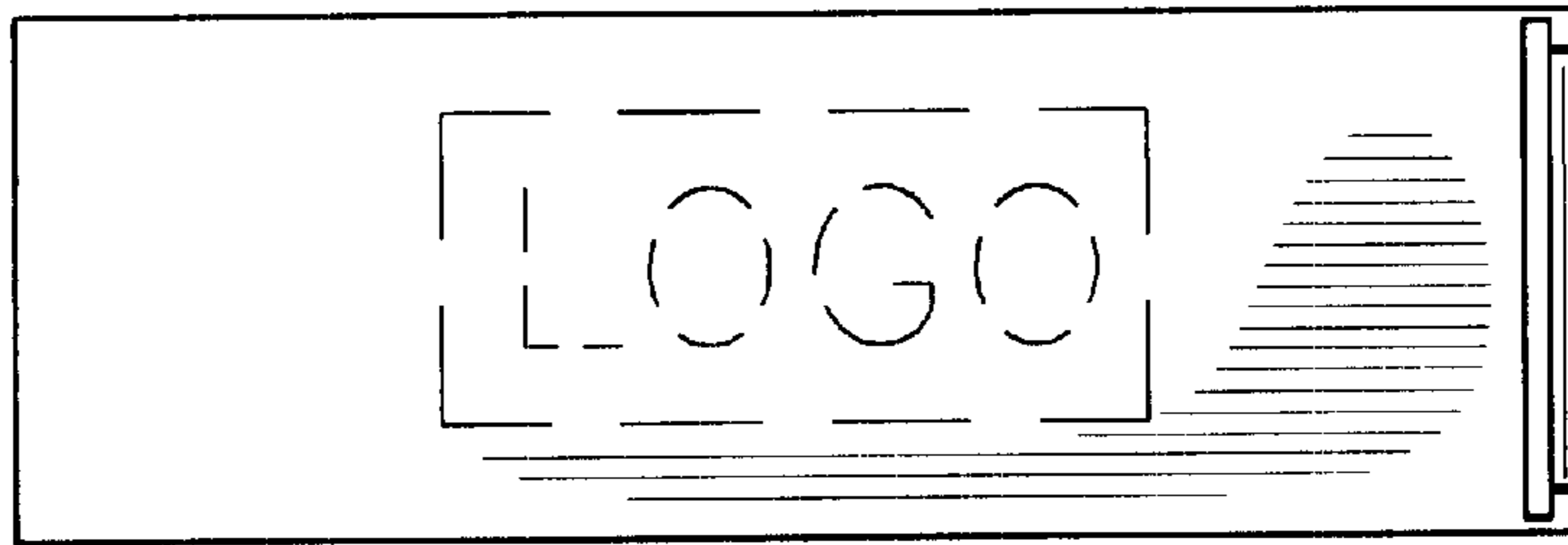


FIG. 1

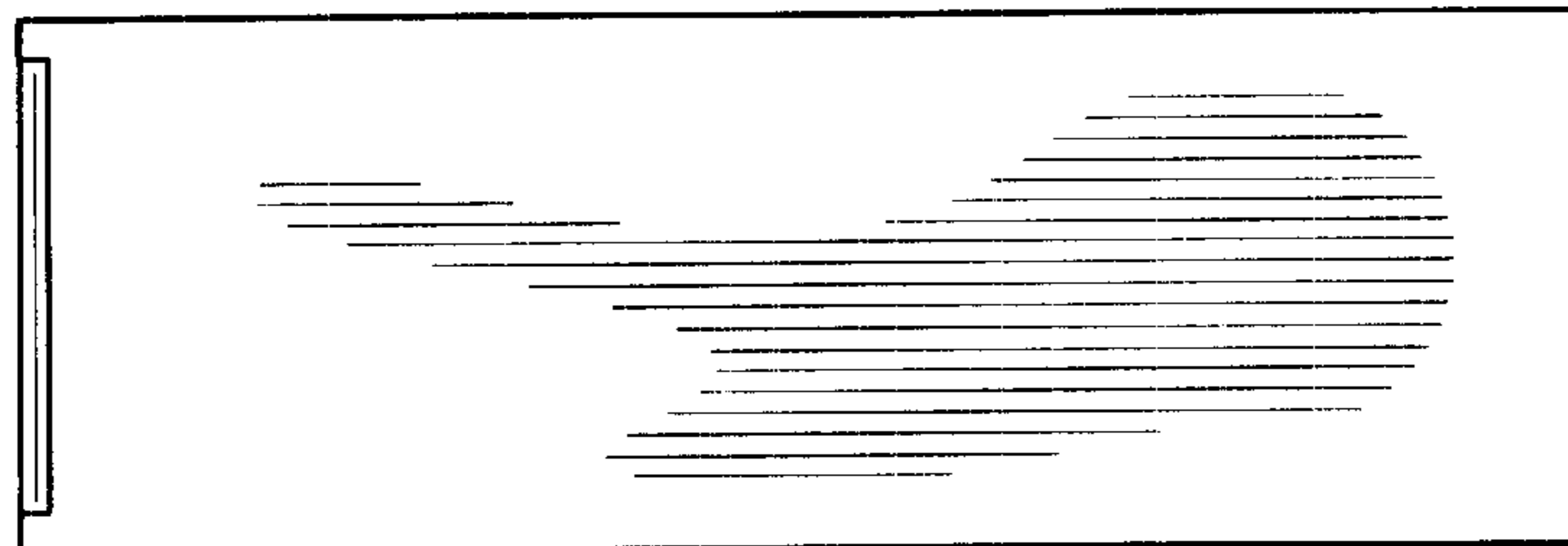


FIG. 2

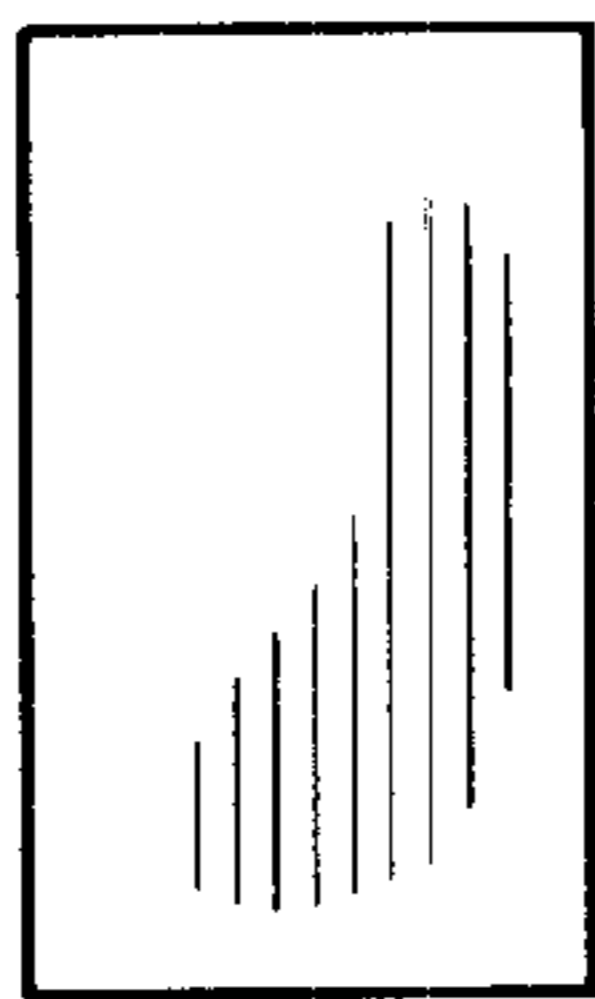


FIG. 3

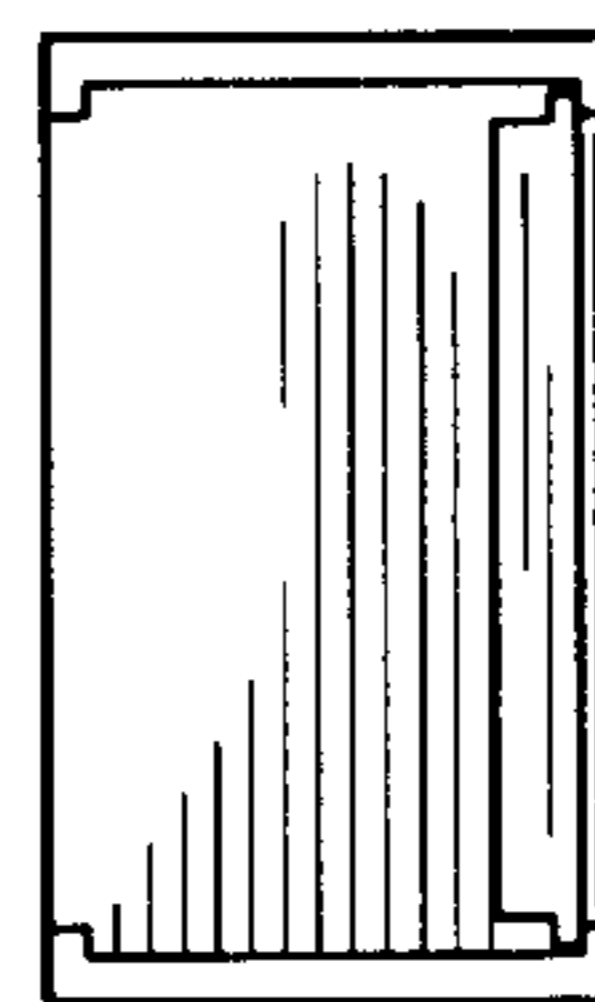


FIG. 4

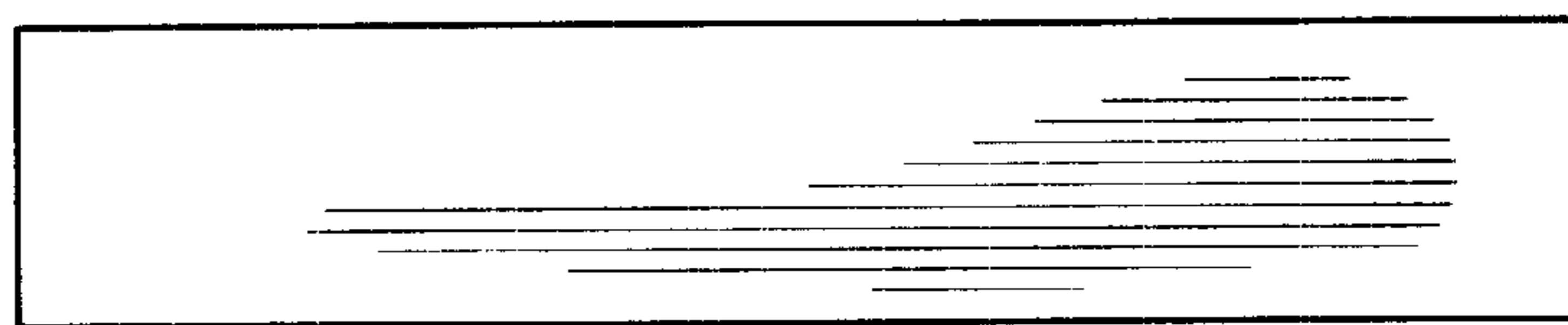


FIG. 5

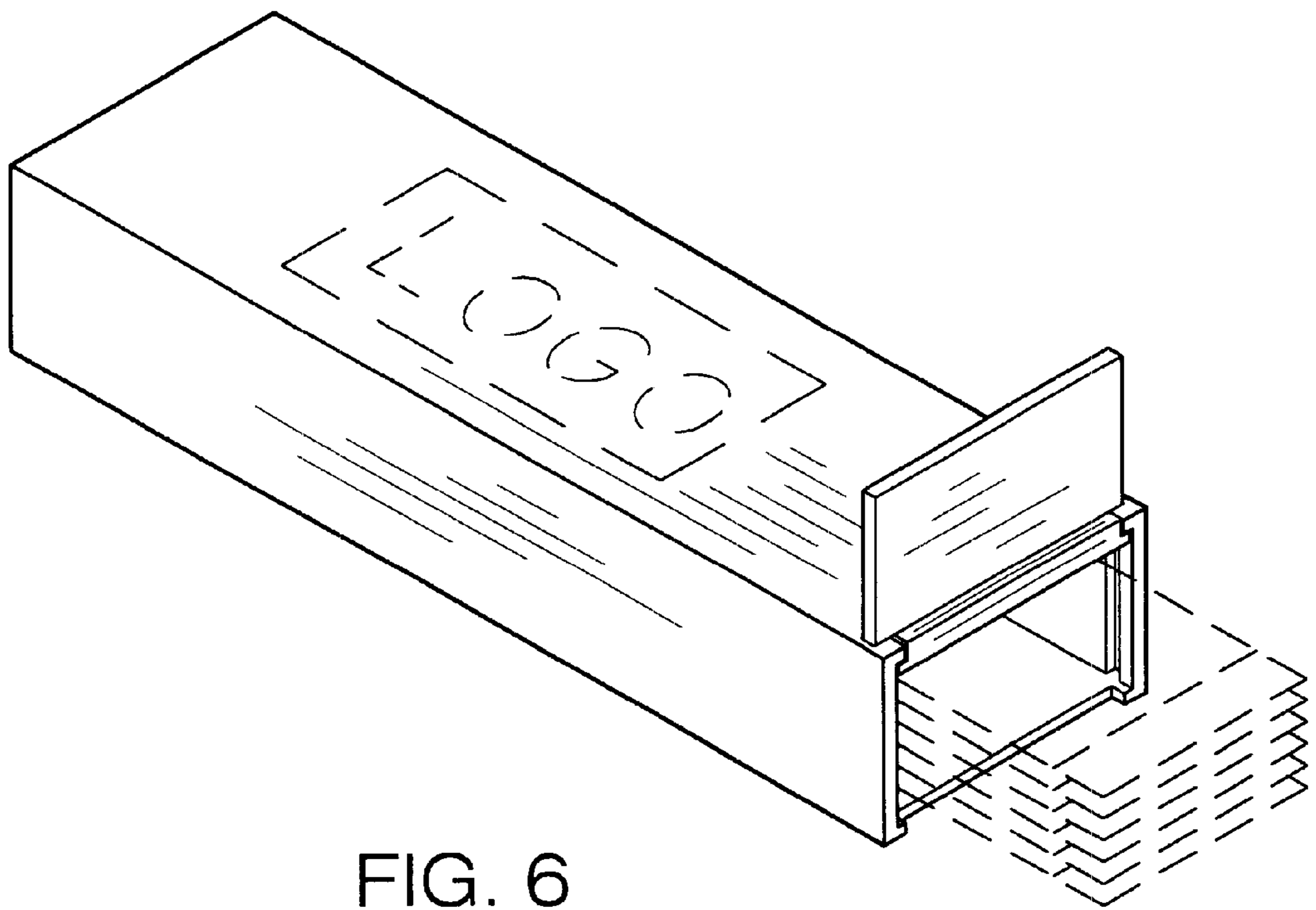


FIG. 6