



US00D486034S

(12) **United States Design Patent**
Nichols

(10) **Patent No.:** **US D486,034 S**

(45) **Date of Patent:** **** Feb. 3, 2004**

(54) **COMBINED GAS COOKTOP AND GRIDDLE**

D333,234 S 2/1993 Nichols
D342,641 S * 12/1993 Falk D7/407
5,372,121 A 12/1994 Castillo et al.
D430,451 S 9/2000 Bordet

(75) **Inventor:** **Dan Nichols**, Huntington Beach, CA
(US)

(73) **Assignee:** **Dynamic Cooking Systems, Inc.**,
Huntington Beach, CA (US)

(**) **Term:** **14 Years**

(21) **Appl. No.:** **29/178,550**

(22) **Filed:** **Mar. 26, 2003**

Related U.S. Application Data

(62) Division of application No. 29/154,220, filed on Jan. 17,
2002, now Pat. No. Des. 475,569.

(51) **LOC (7) Cl.** **07-02**

(52) **U.S. Cl.** **D7/346**

(58) **Field of Search** D7/339-340, 346-349,
D7/402, 407, 408, 409; 126/19 R, 39 C,
273 R, 273 S, 275 R, 257 E, 273 A; 219/458,
460, 464, 538, 552

(56) **References Cited**

U.S. PATENT DOCUMENTS

- 1,748,742 A 2/1930 Thompson et al.
- D108,114 S 1/1938 Burrow
- 2,480,045 A 8/1949 Reeves
- 2,973,524 A 3/1961 Daniels
- D201,939 S 8/1965 Tecton
- 3,923,037 A 12/1975 Donato
- D293,070 S * 12/1987 Cerola D7/346
- 4,971,024 A 11/1990 Albon et al.
- 5,046,477 A 9/1991 Bennett et al.
- D326,029 S * 5/1992 Lok D7/356

FOREIGN PATENT DOCUMENTS

FR 2614677 11/1988

OTHER PUBLICATIONS

Frigidaire Electric and Gas Ranges Catalog, copyright Mar.
1999. Frigidaire Self-Cleaning Electric Range.
Thermador "Create" Catalog, copyright 1999. p. 13. ?" Gas
Surface/Electric Range, bottom left.

* cited by examiner

Primary Examiner—Sandra L. Morris

(74) *Attorney, Agent, or Firm*—Knobbe, Martens, Olson &
Bear, LLP

(57) **CLAIM**

The ornamental design for a combined gas cooktop and
griddle, as shown and described.

DESCRIPTION

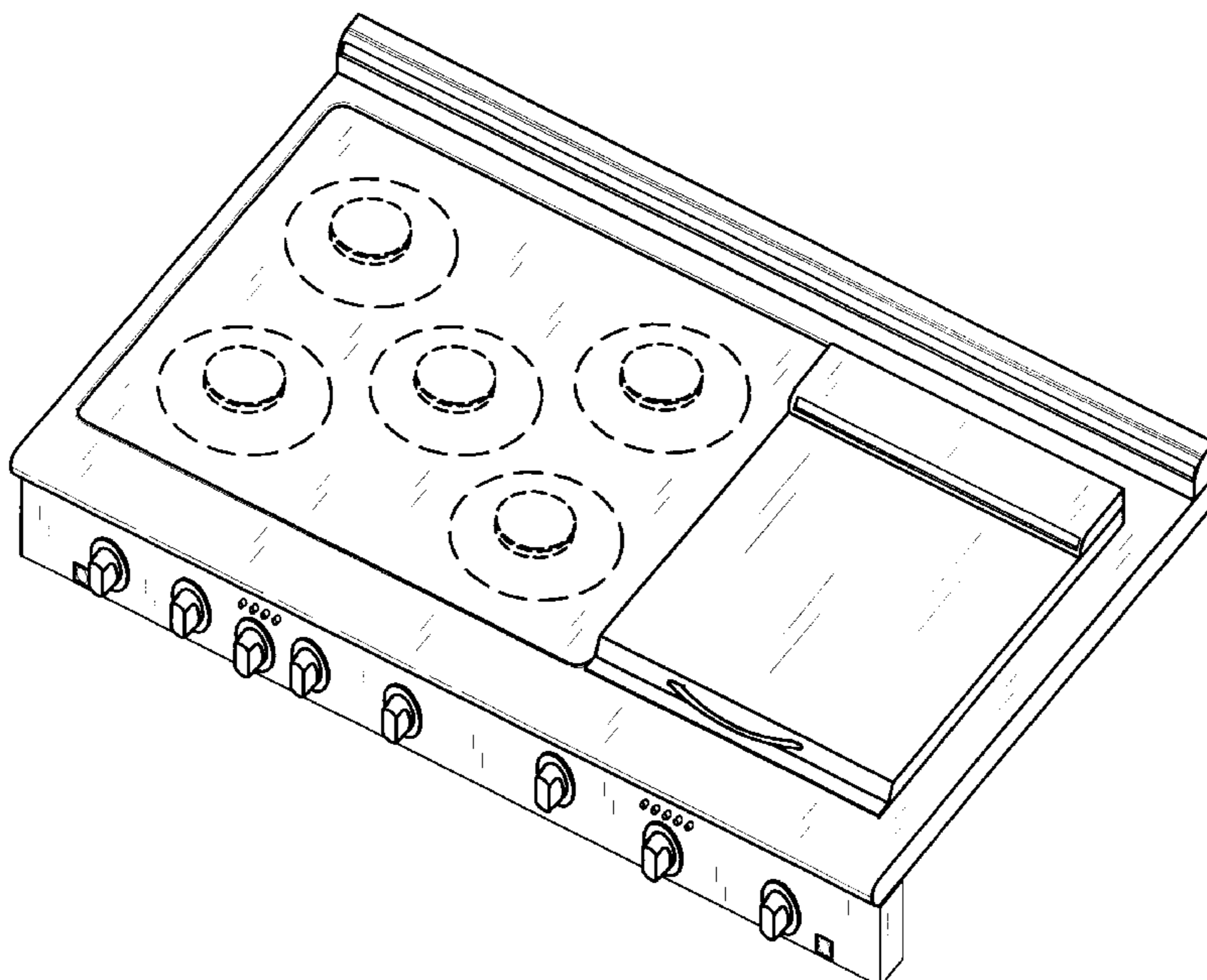
FIG. 1 is a top, right perspective view of the invention
illustrating a combined gas cooktop and griddle, having
burners shown in broken lines to illustrate that the burners
can take a variety of shapes.

FIG. 2 is a front elevational view thereof.

FIG. 3 is a right side elevational view thereof, which is a
mirror image of a left side view thereof; and,
FIG. 4 is a back elevational view thereof.

The broken line showing is for illustrative purposes only,
and forms no part of the claimed design.

1 Claim, 4 Drawing Sheets



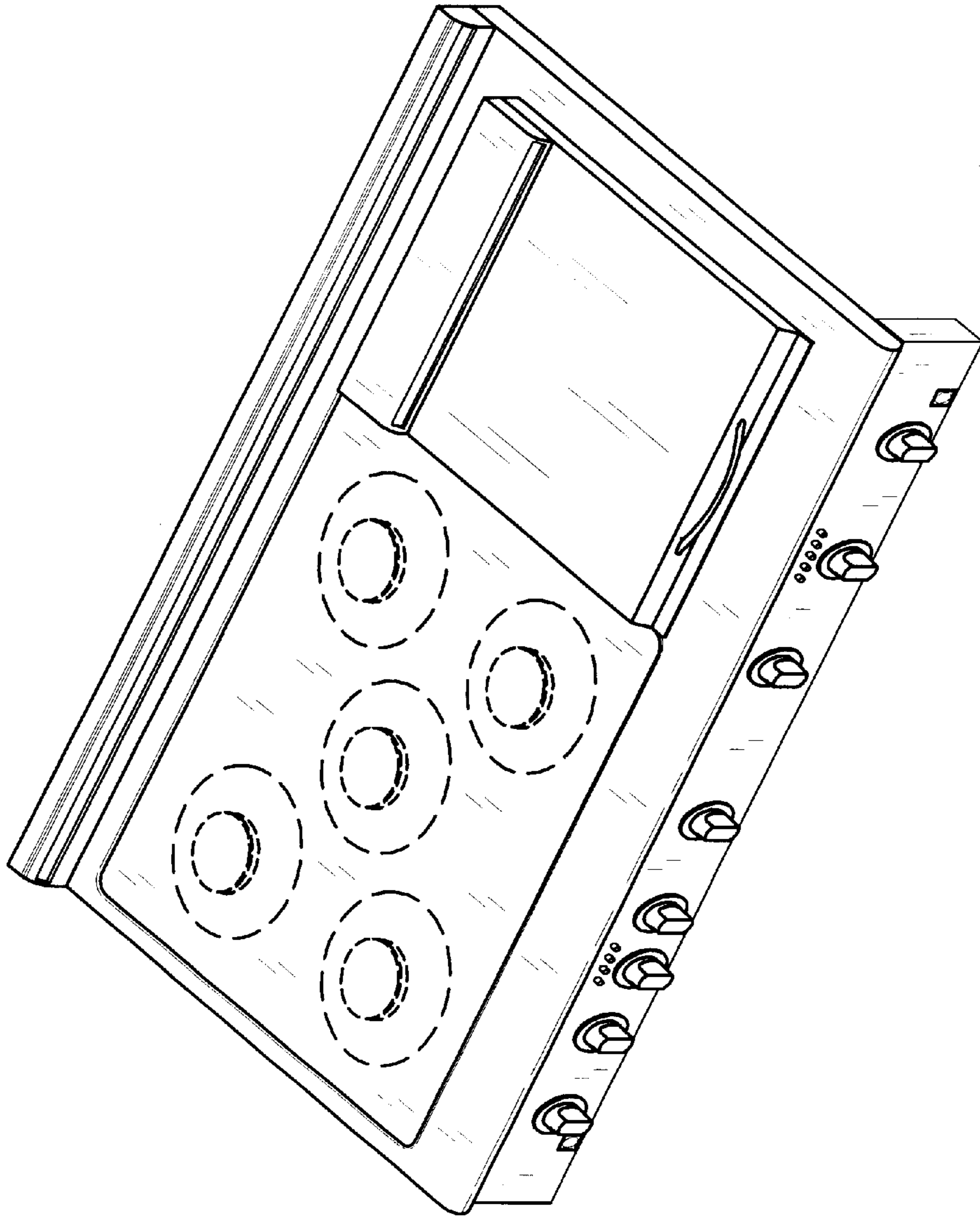


FIG. 1

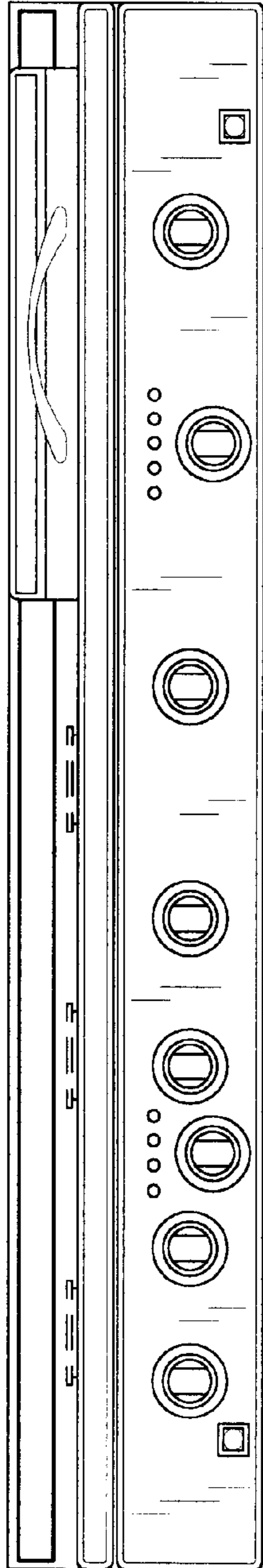


FIG. 2

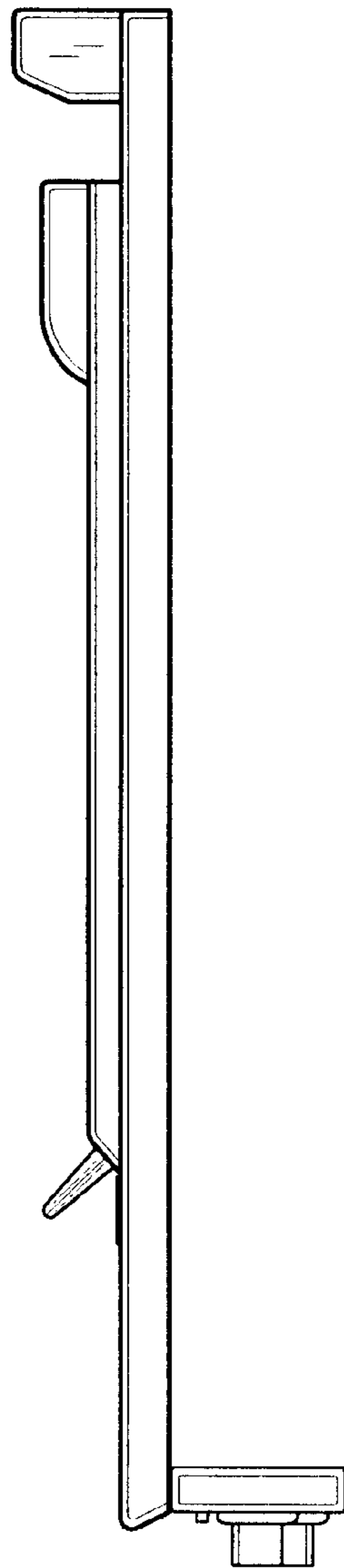


FIG. 3

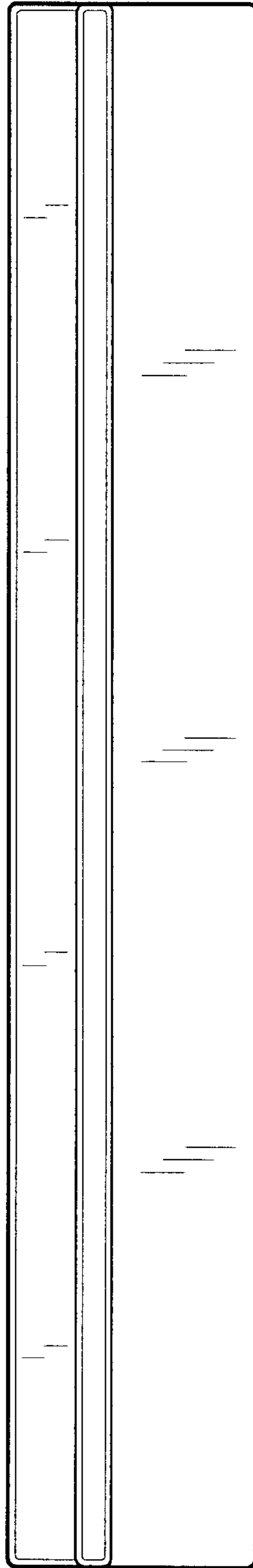


FIG. 4