



US00D486029S

(12) **United States Design Patent**
Morikawa

(10) **Patent No.:** **US D486,029 S**

(45) **Date of Patent:** **** Feb. 3, 2004**

(54) **LEG REST**

(75) **Inventor:** **Masashi Morikawa, Osaka (JP)**

(73) **Assignee:** **Sanyo Electric Co., Ltd., Moriguchi (JP)**

(**) **Term:** **14 Years**

(21) **Appl. No.:** **29/176,995**

(22) **Filed:** **Mar. 4, 2003**

(30) **Foreign Application Priority Data**

Sep. 4, 2002 (JP) 2002-023881

(51) **LOC (7) Cl.** **06-09**

(52) **U.S. Cl.** **D6/601**

(58) **Field of Search** D6/595-597, 601, D6/604; 5/630, 632, 633, 636, 639, 710, 731, 736, 652-655, 655.3, 656, 648, 650

(56) **References Cited**

U.S. PATENT DOCUMENTS

D251,985 S * 5/1979 Martin D6/601

5,054,143 A * 10/1991 Javaher 5/636
D345,668 S * 4/1994 Braly D6/601
D447,376 S * 9/2001 Kramer D6/601

* cited by examiner

Primary Examiner—Janice E. Seeger

(74) *Attorney, Agent, or Firm*—Armstrong, Kratz, Quintos, Hanson & Brooks, LLP

(57) **CLAIM**

The ornamental design for a leg rest, as shown and described.

DESCRIPTION

FIG. 1 is a top, front and right perspective view of a leg rest showing my new design;
FIG. 2 is a top plan view thereof;
FIG. 3 is a bottom plan view thereof;
FIG. 4 is a front elevational view thereof;
FIG. 5 is a rear elevational view thereof; and,
FIG. 6 is a right side view thereof, a left side view being a mirror image.

1 Claim, 3 Drawing Sheets

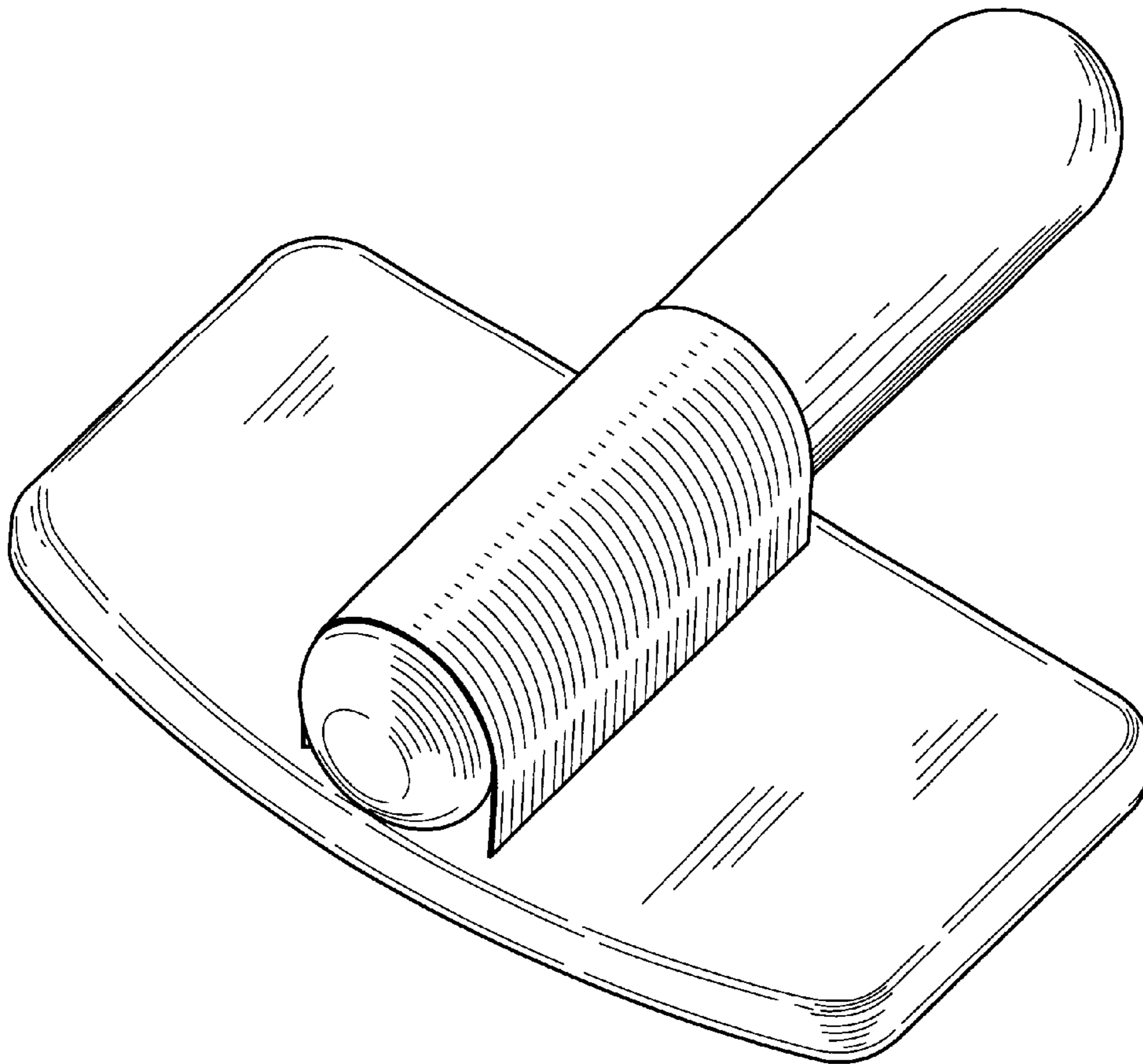


FIG. 1

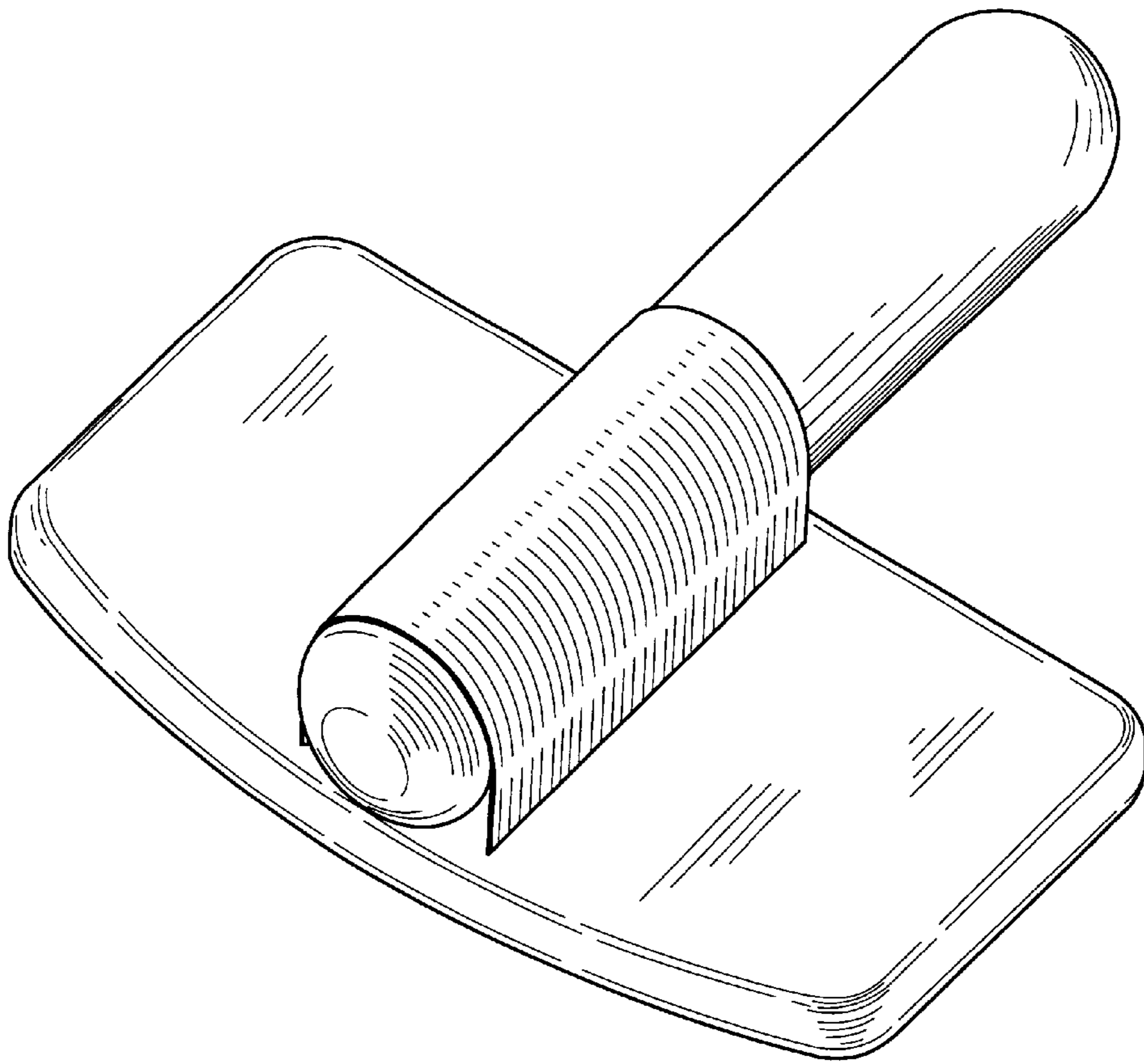


FIG.2

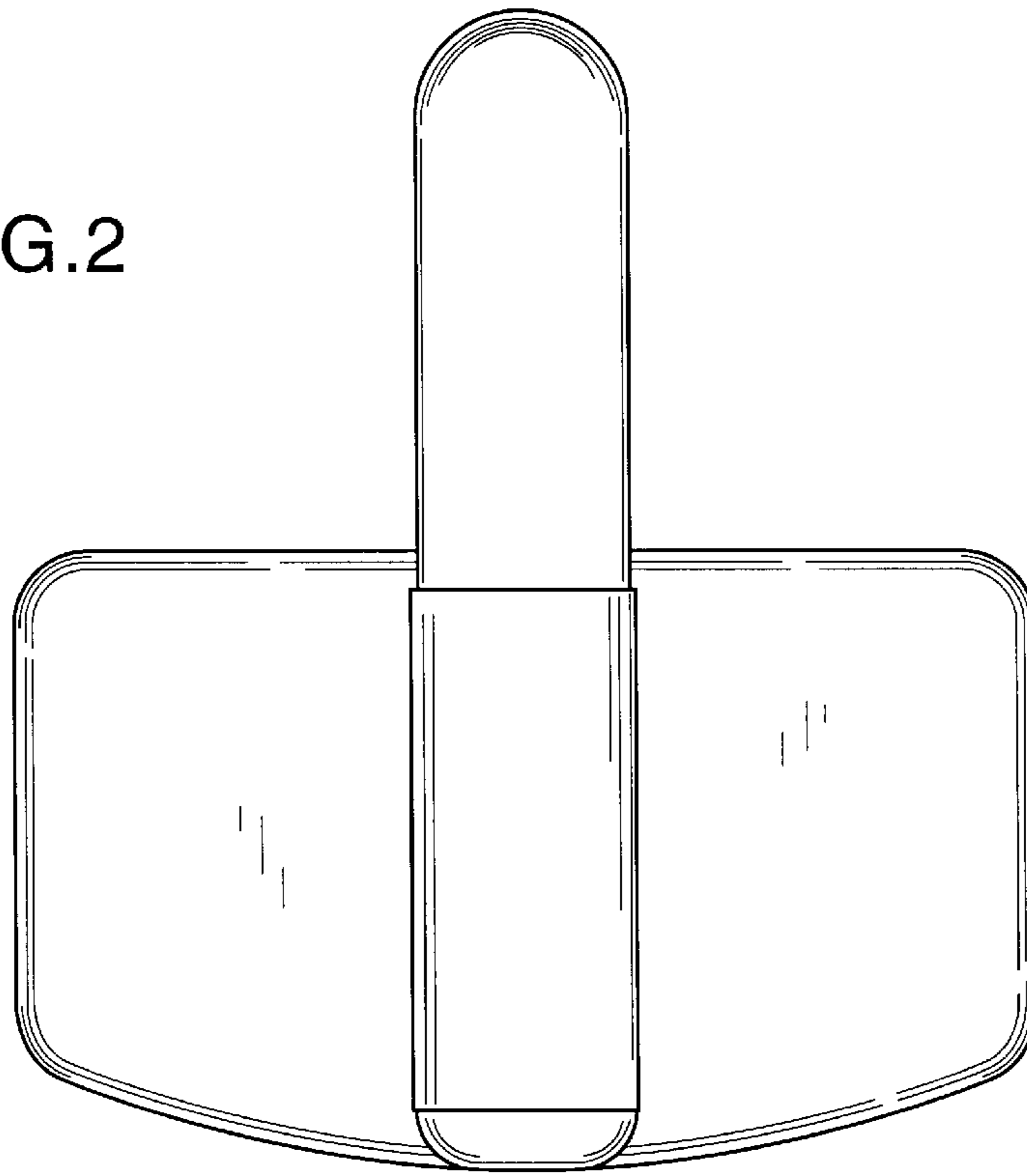


FIG.3

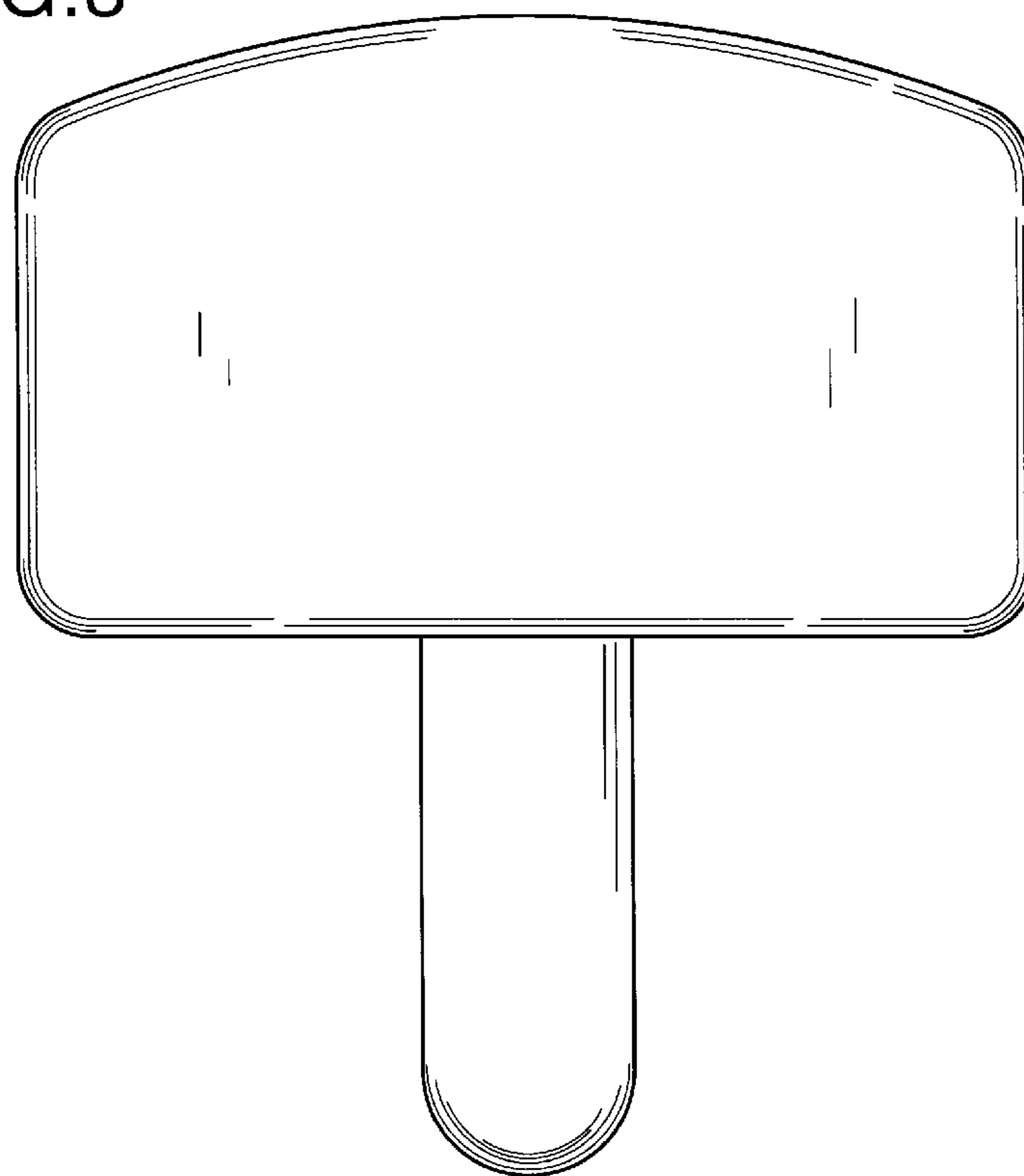


FIG.4

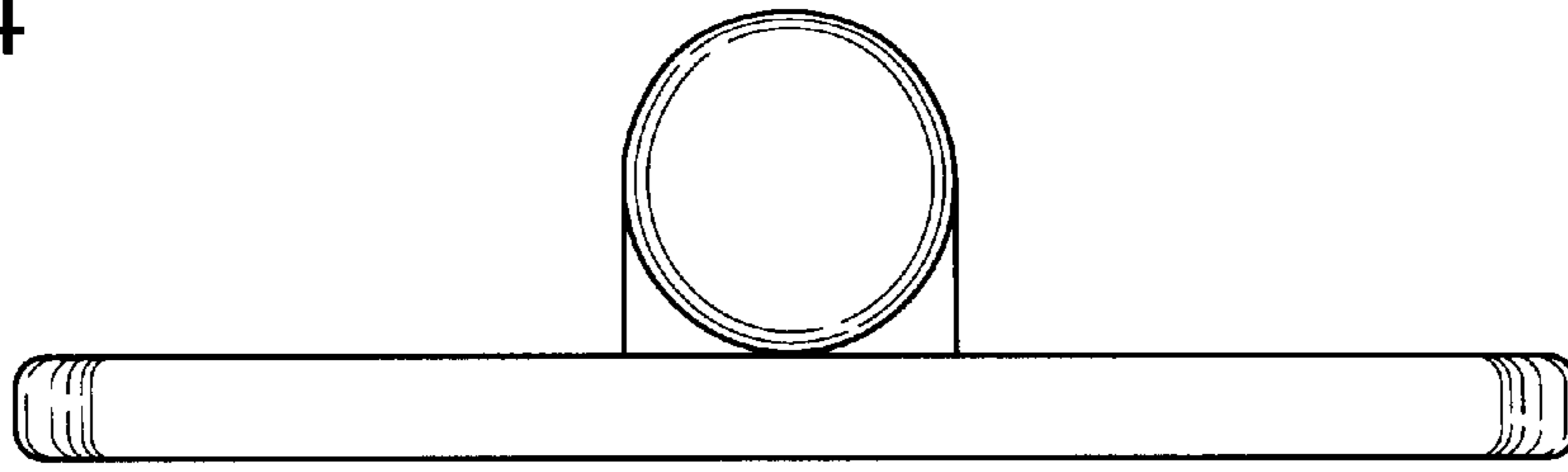


FIG.5

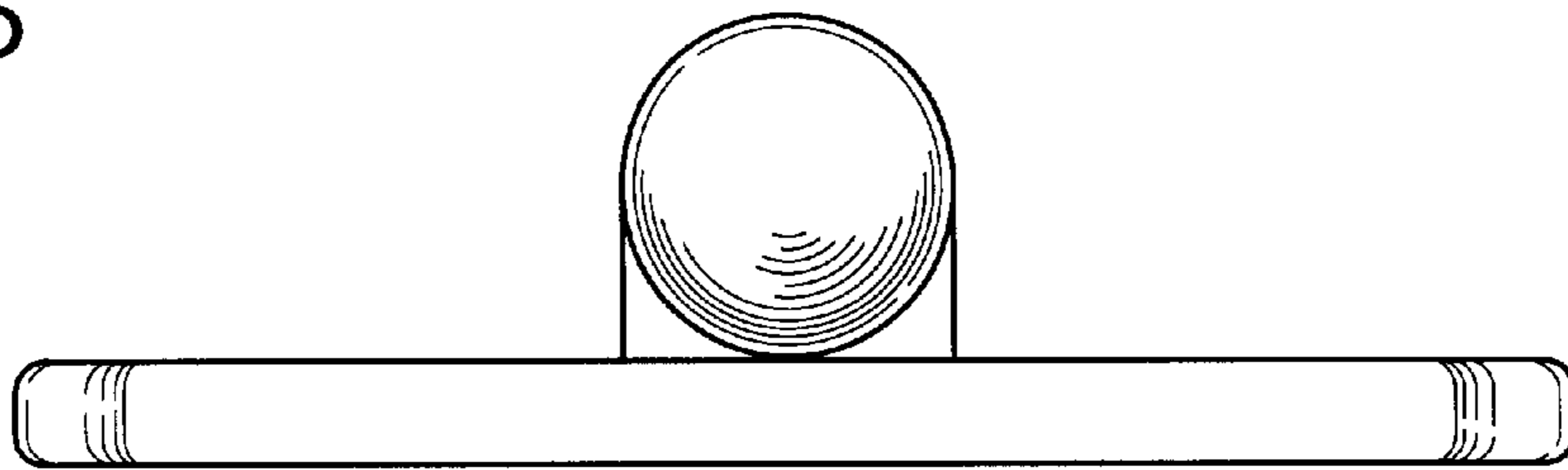


FIG.6

