



US00D486022S

(12) **United States Design Patent**
Shamoon

(10) **Patent No.:** **US D486,022 S**

(45) **Date of Patent:** **** Feb. 3, 2004**

(54) **WALL ORGANIZER DEEP CONTAINER**

D355,791 S * 2/1995 Briley D6/553 X
D419,352 S * 1/2000 Hampshire D6/553

(76) Inventor: **Ellis N. Shamoon**, 2833 Park Bridge Ct., Dallas, TX (US) 75219

* cited by examiner

(**) Term: **14 Years**

Primary Examiner—Brian N. Vinson
(74) *Attorney, Agent, or Firm*—Daniel V. Thompson

(21) Appl. No.: **29/179,256**

(57) **CLAIM**

(22) Filed: **Apr. 9, 2003**

The ornamental design for a “wall organizer deep container”, as shown and described.

(51) **LOC (7) Cl.** **06-04**

(52) **U.S. Cl.** **D6/553**

(58) **Field of Search** D6/524, 525, 532–540, D6/553, 552, 567, 574; 206/77.1, 557, 562, 563; 211/13.1, 60.1, 70.6, 70.7, 71.01, 74–75, 86.01, 87.01, 88.01, 89.01, 126.1; 248/176.1, 309.1, 311.2; D3/304, 314, 901, 904, 905; D19/75, 86, 90; D34/1

DESCRIPTION

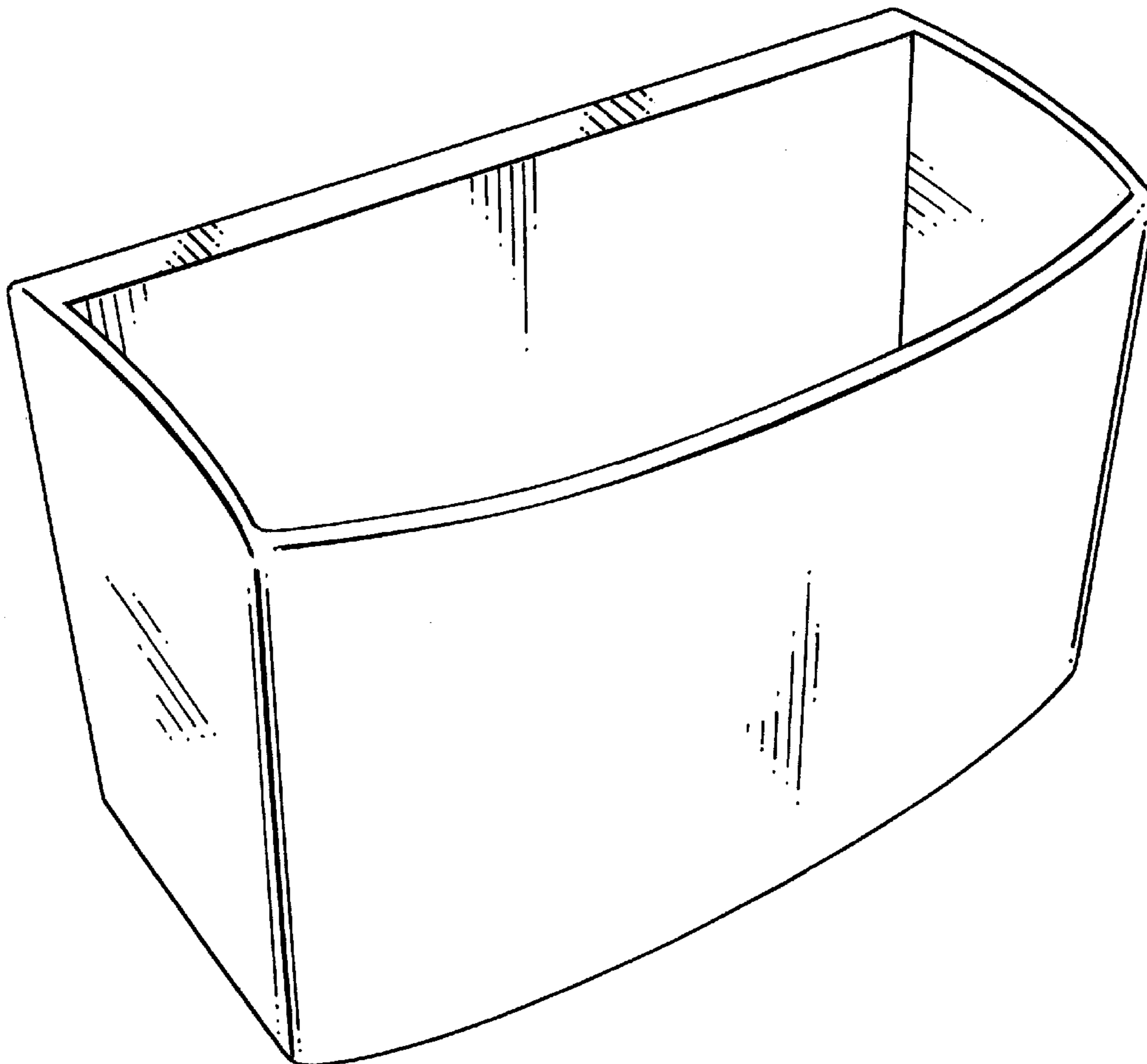
FIG. 1 is a perspective view;
FIG. 2 is a front view;
FIG. 3 is a back view;
FIG. 4 is a top view;
FIG. 5 is a bottom view;
FIG. 6 is a side view; and,
FIG. 7 is a side view similar to FIG. 6 rotated 180 degrees.

(56) **References Cited**

U.S. PATENT DOCUMENTS

D332,679 S * 1/1993 Hines D34/6

1 Claim, 4 Drawing Sheets



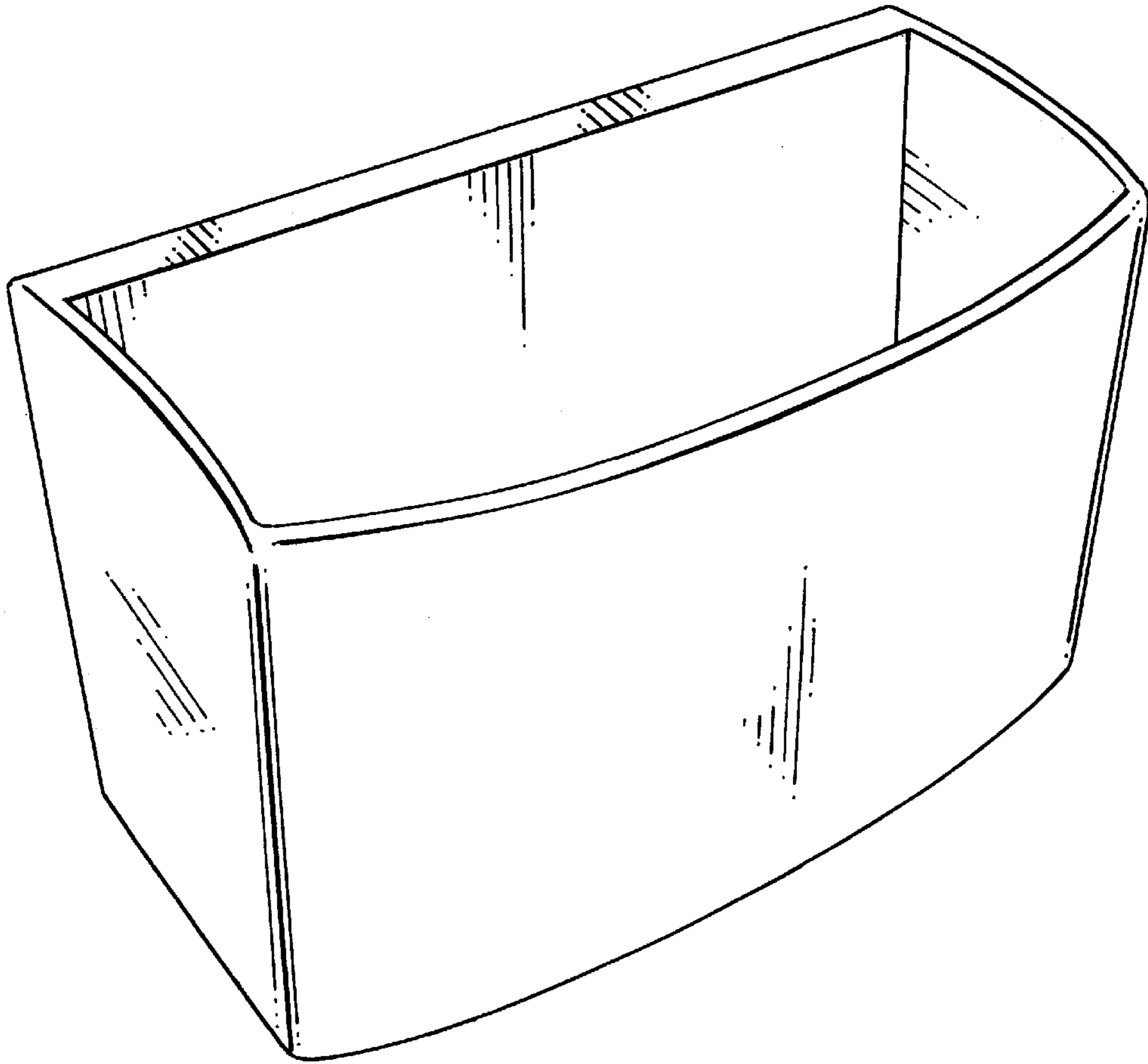


FIG. 1

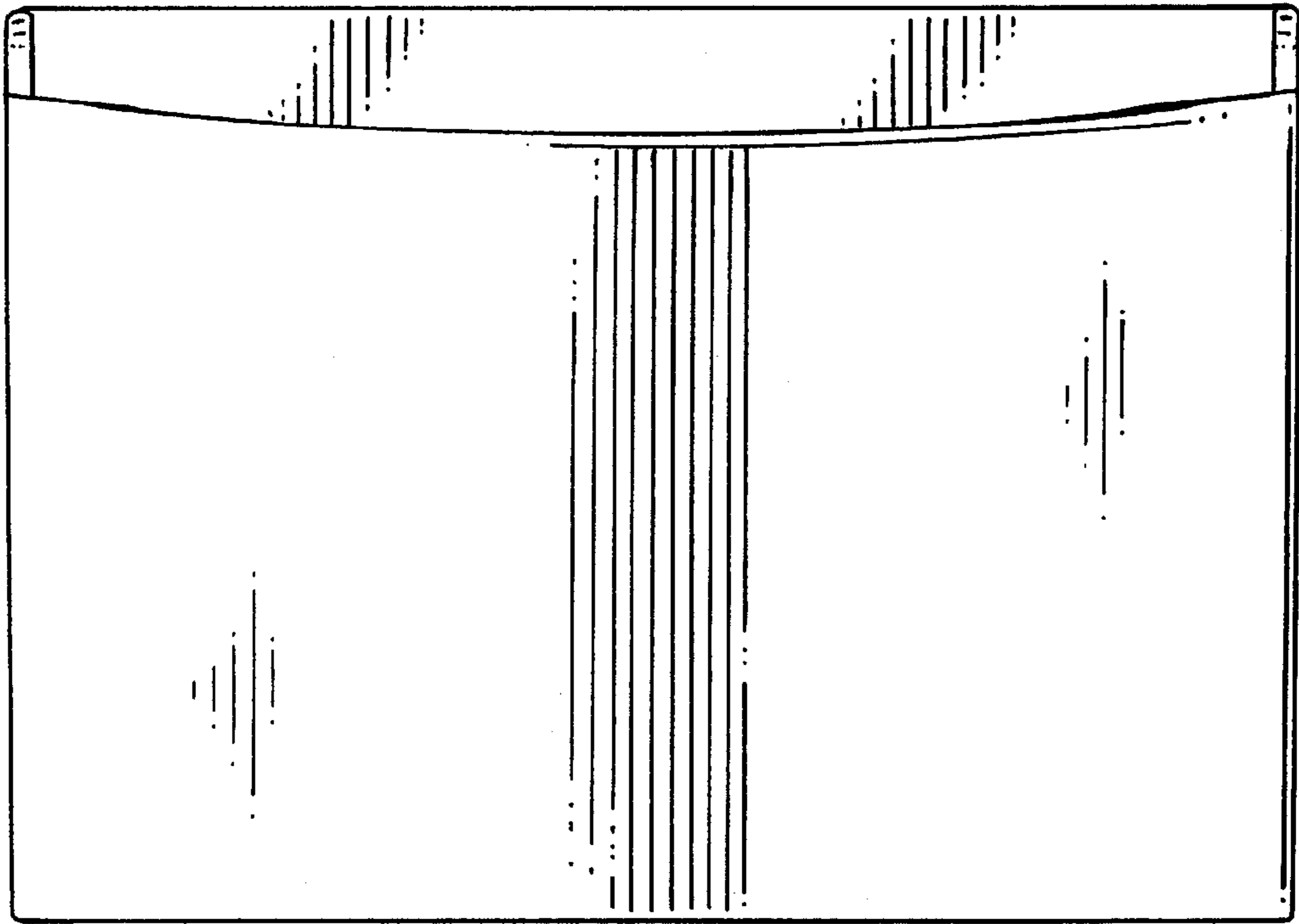


FIG. 2

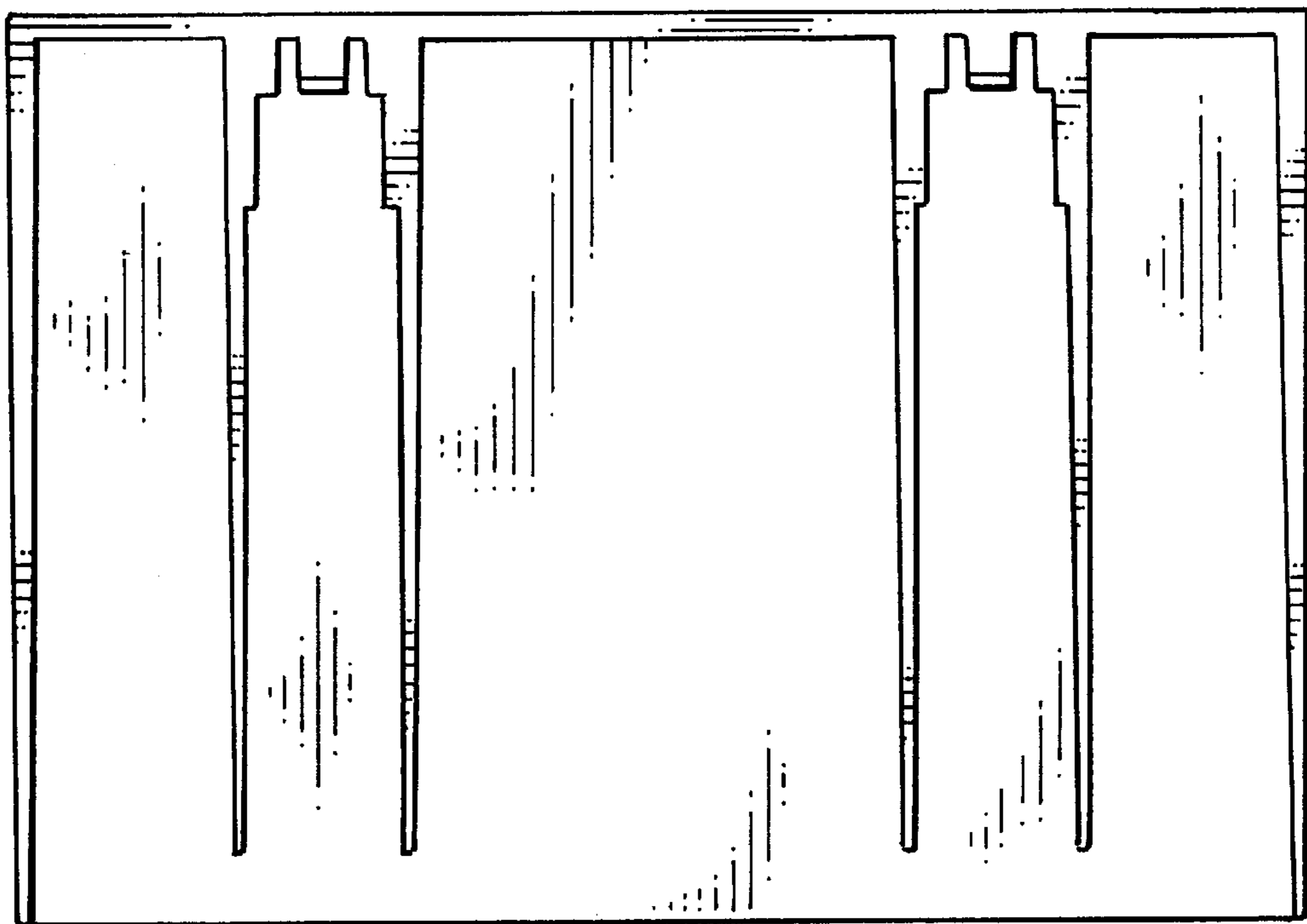


FIG. 3

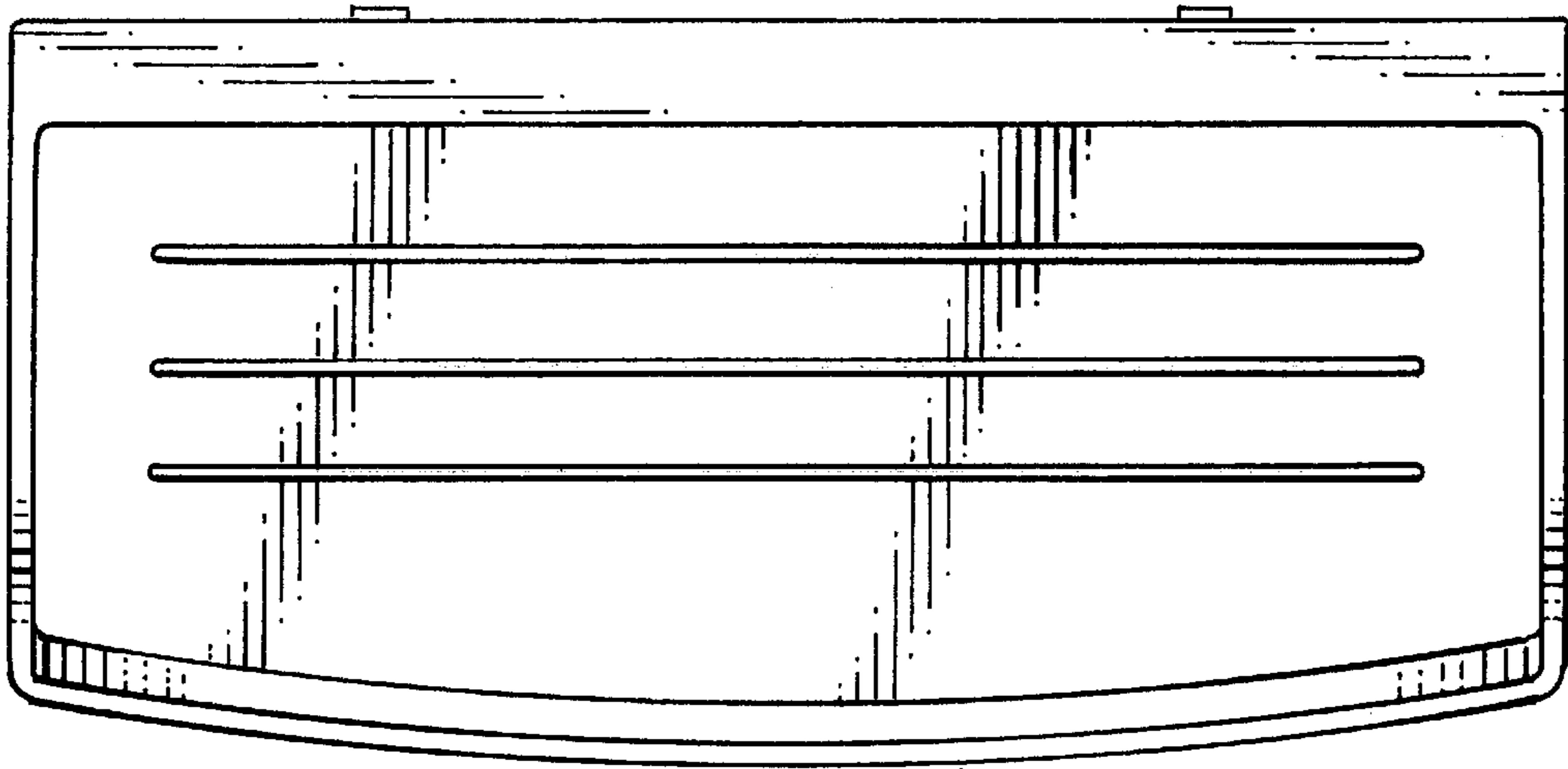


FIG. 4

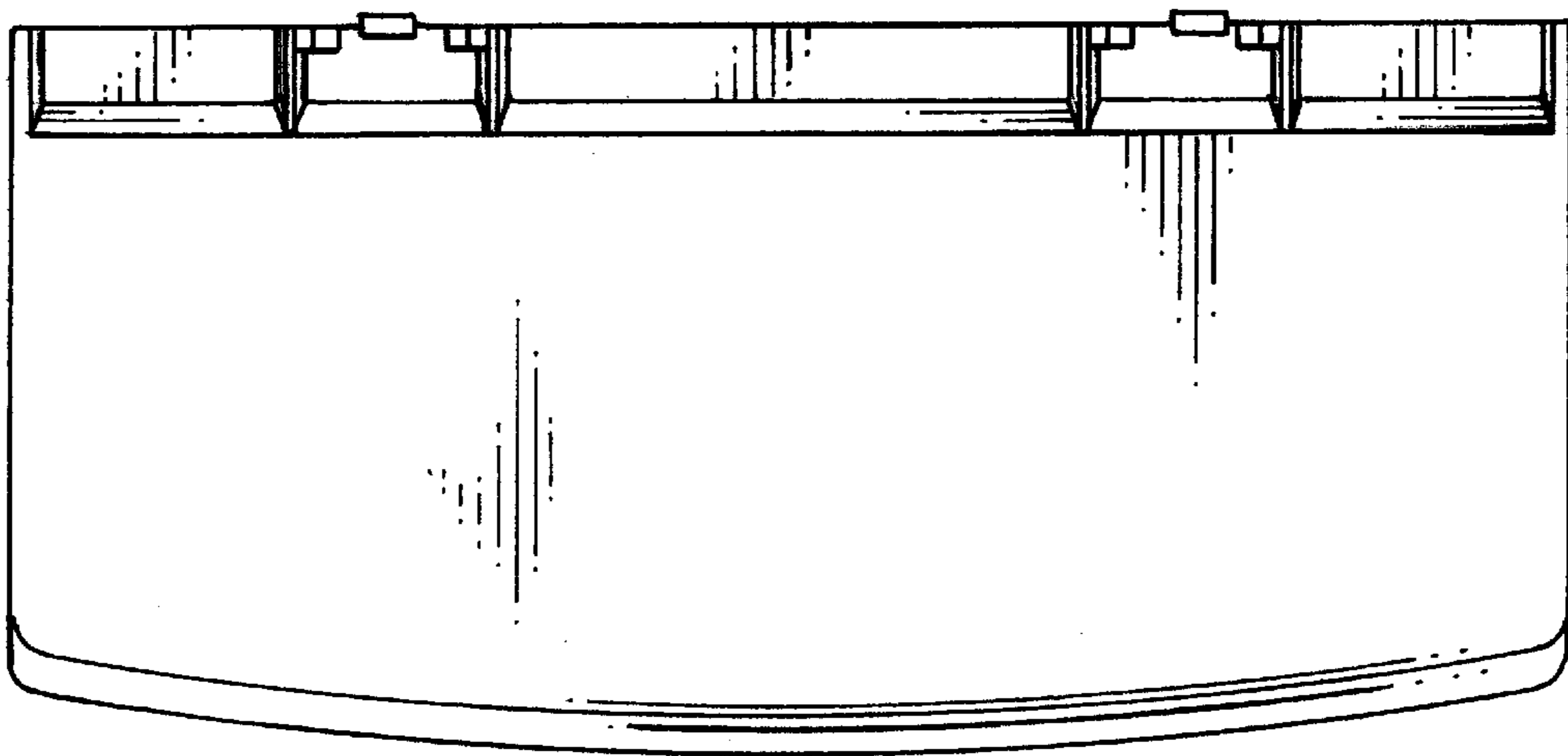


FIG. 5

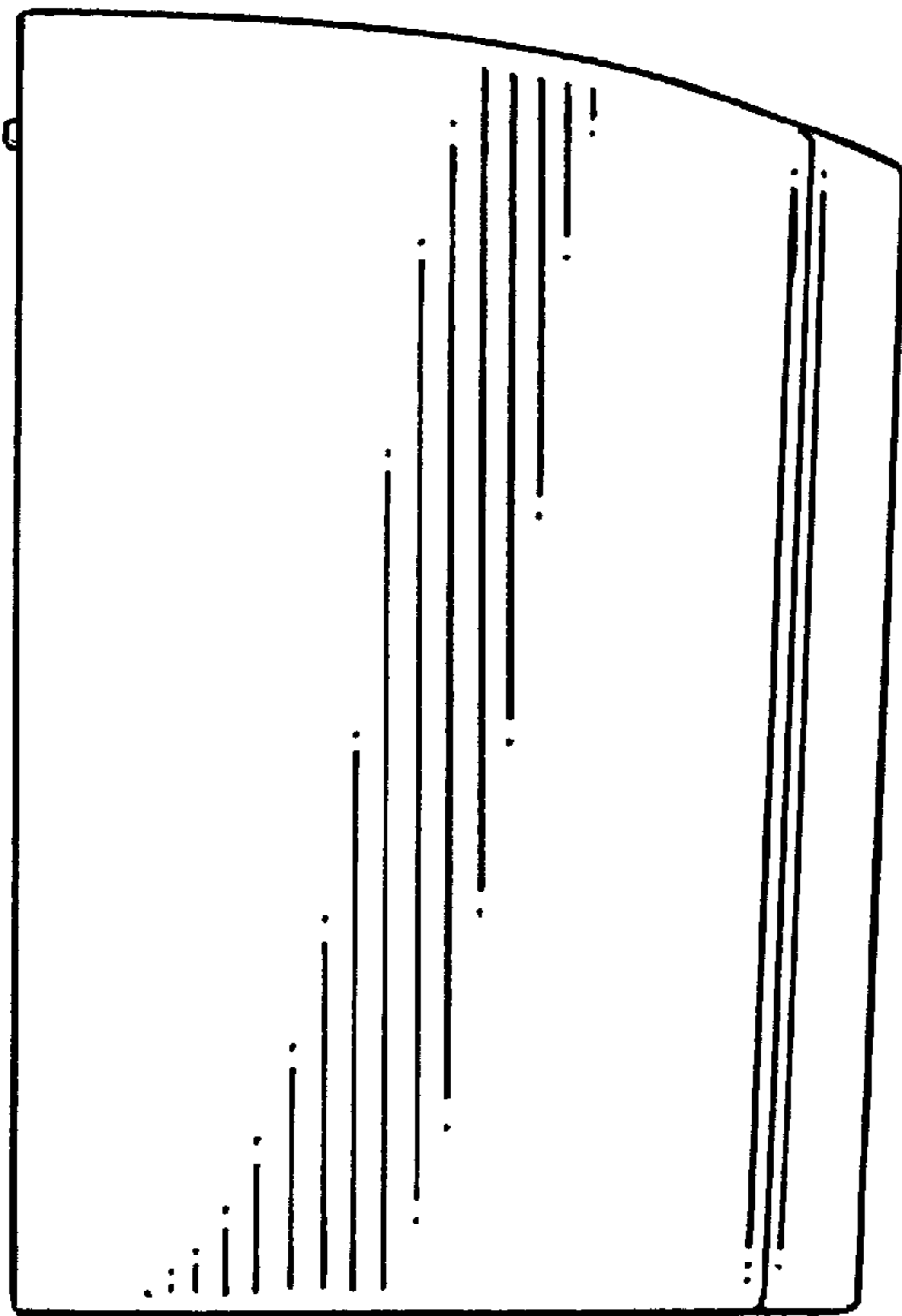


FIG. 6

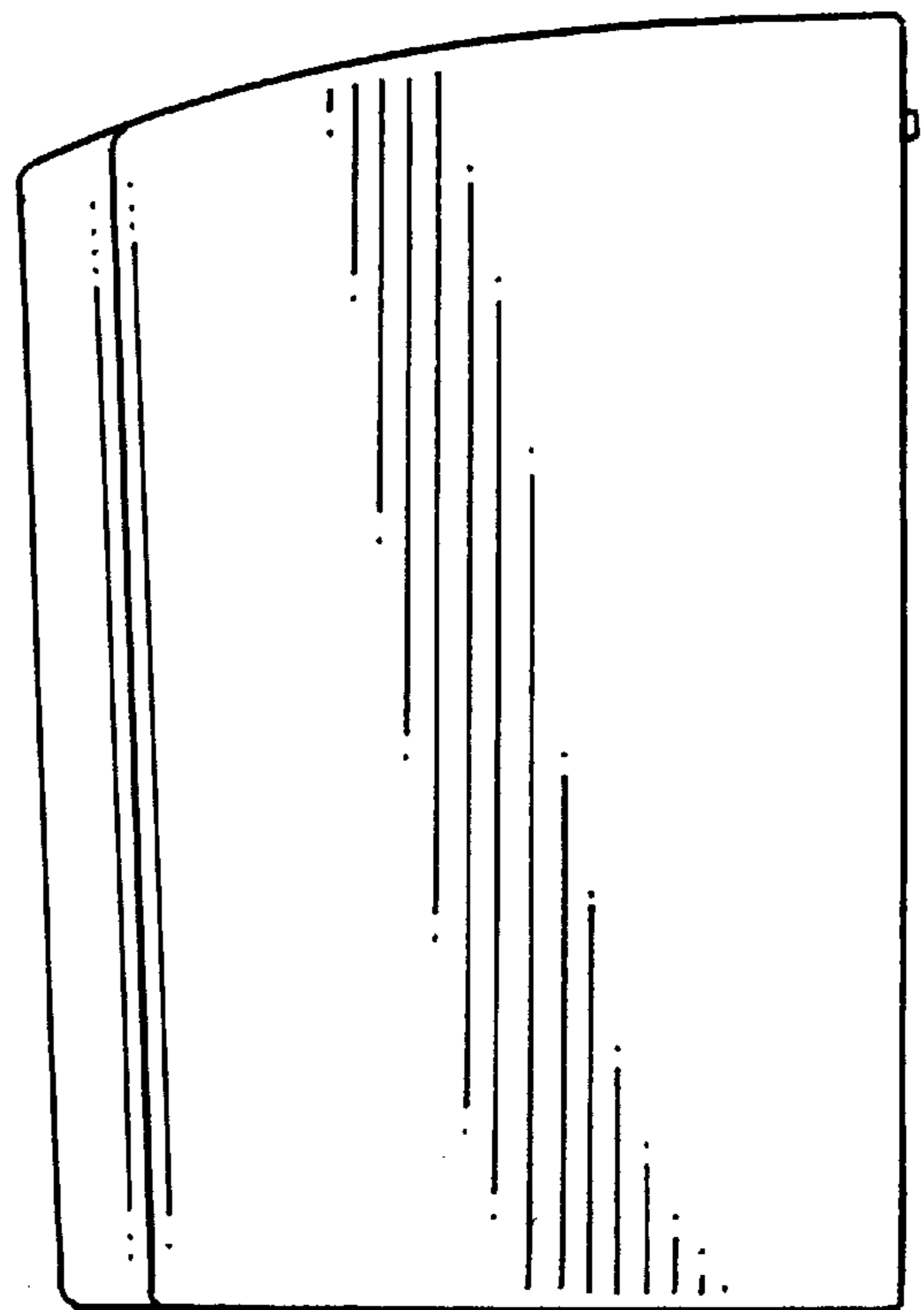


FIG. 7