



US00D486019S

(12) **United States Design Patent**
Lai

(10) **Patent No.:** **US D486,019 S**

(45) **Date of Patent:** **** Feb. 3, 2004**

(54) **HANGING RACK CONNECTOR FOR USE IN A BATHROOM**

Primary Examiner—Brian N. Vinson
(74) *Attorney, Agent, or Firm*—Harrison & Egbert

(76) **Inventor:** **Ming-Hsiao Lai**, No. 8, Kung Chi 2 Lane, Ta Tsuen Hsiang, Chang-Hua Hsien (TW)

(57) **CLAIM**

I claim the ornamental design for a hanging rack connector for use in a bathroom, as shown and described.

(**) **Term:** **14 Years**

DESCRIPTION

(21) **Appl. No.:** **29/158,260**

FIG. 1 is a top, front, and right side perspective view of a hanging rack connector for use in a bathroom showing a first embodiment of my new design

(22) **Filed:** **Apr. 3, 2002**

(51) **LOC (7) Cl.** **23-02**

FIG. 2 is a front view thereof;

(52) **U.S. Cl.** **D6/524**

FIG. 3 is a back view thereof;

(58) **Field of Search** D6/522-51; D8/300, D8/315-21, 354, 363, 373, 380; 108/28-29; 211/13.1, 16, 60.1, 86.01, 87.01, 88.04, 100, 105.1-105.2, 123, 181.1, 182; 248/175, 176.1, 251, 302; 16/110.1, 412, 415

FIG. 4 is a side view thereof;

FIG. 5 is an opposite side view thereof;

FIG. 6 is a top view thereof;

FIG. 7 is a bottom view thereof;

(56) **References Cited**

U.S. PATENT DOCUMENTS

2,215,331	A	*	9/1940	Marsh	248/251
2,490,854	A	*	12/1949	Bozoti	248/251 X
D409,032	S	*	5/1999	Kuo	D6/550
D463,936	S	*	10/2002	Chen	D6/550
D463,937	S	*	10/2002	Lee Wang	D6/550
D465,370	S	*	11/2002	Ouyoung	D6/550
D466,348	S	*	12/2002	Yen	D6/550
D469,644	S	*	2/2003	Yen	D6/550

FIG. 8 is a reduced top, front, and right side perspective view of a hanging rack connector for use in a bathroom showing a second embodiment of my new design;

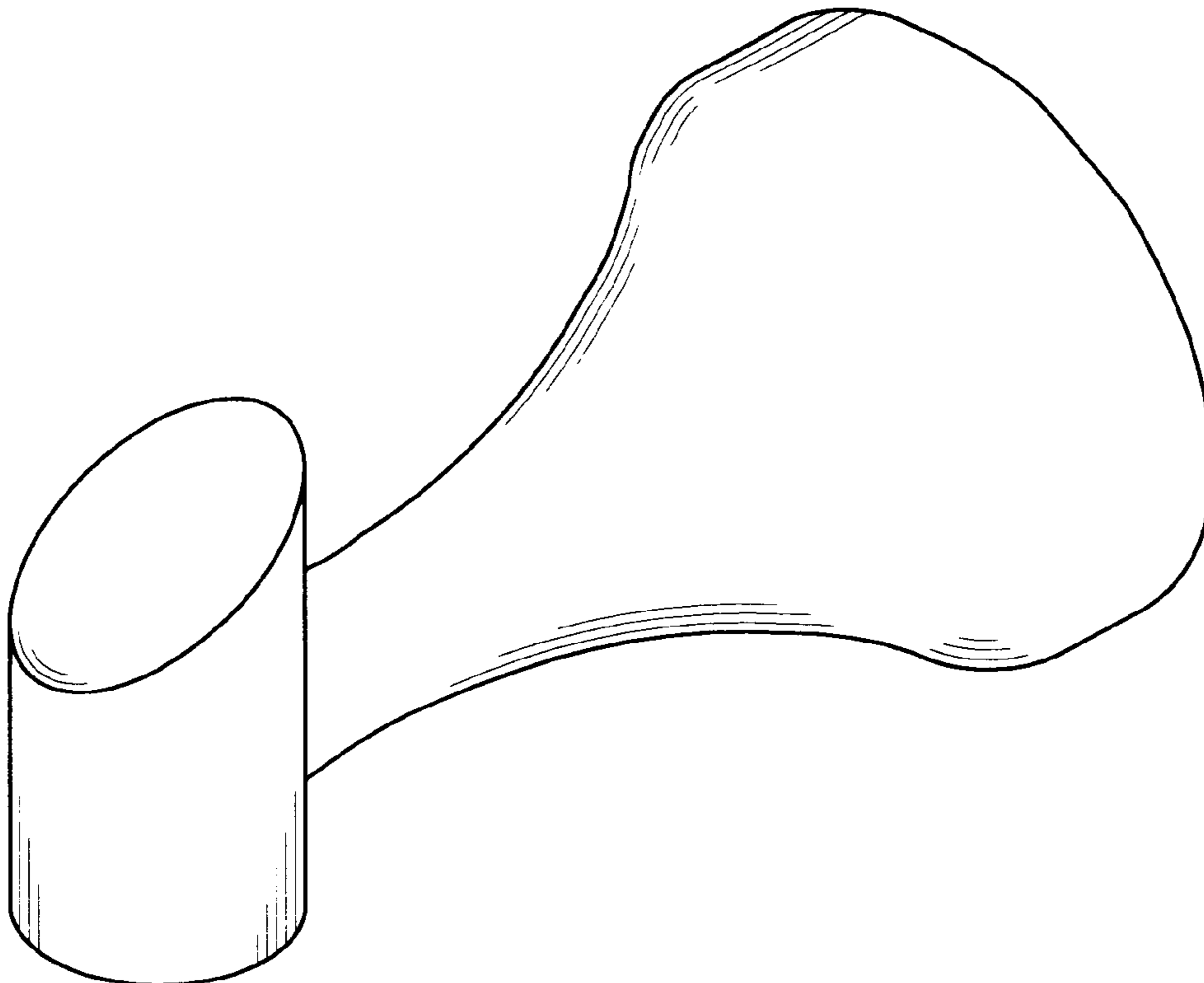
FIG. 9 is an additional reduced top, front, and right side perspective view thereof; and,

FIG. 10 is a reduced top, front, and right side perspective view of the first embodiment thereof.

The broken-line disclosure of different attachments in the views is for illustrative purposes only and forms no part of the claimed design.

* cited by examiner

1 Claim, 7 Drawing Sheets



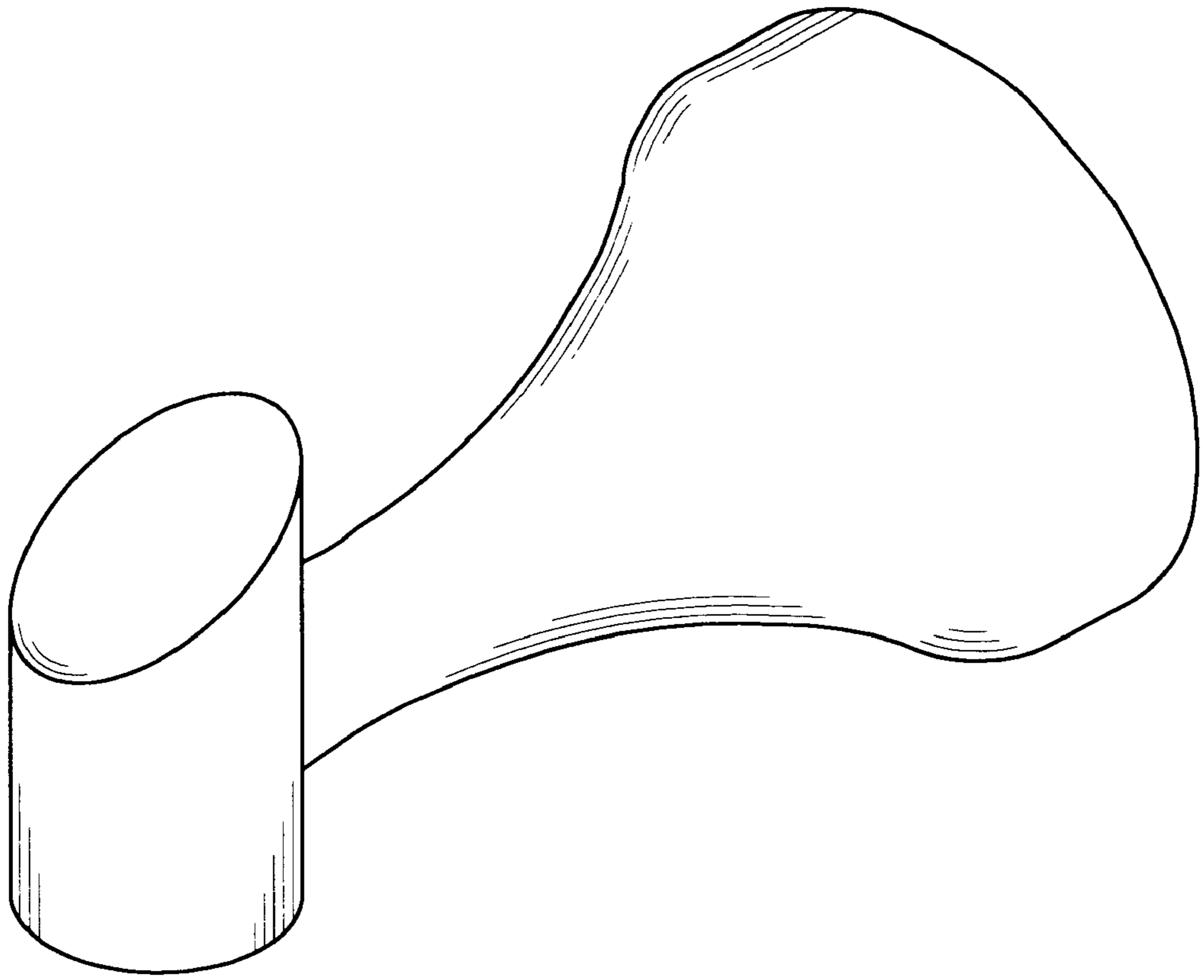


FIG. 1

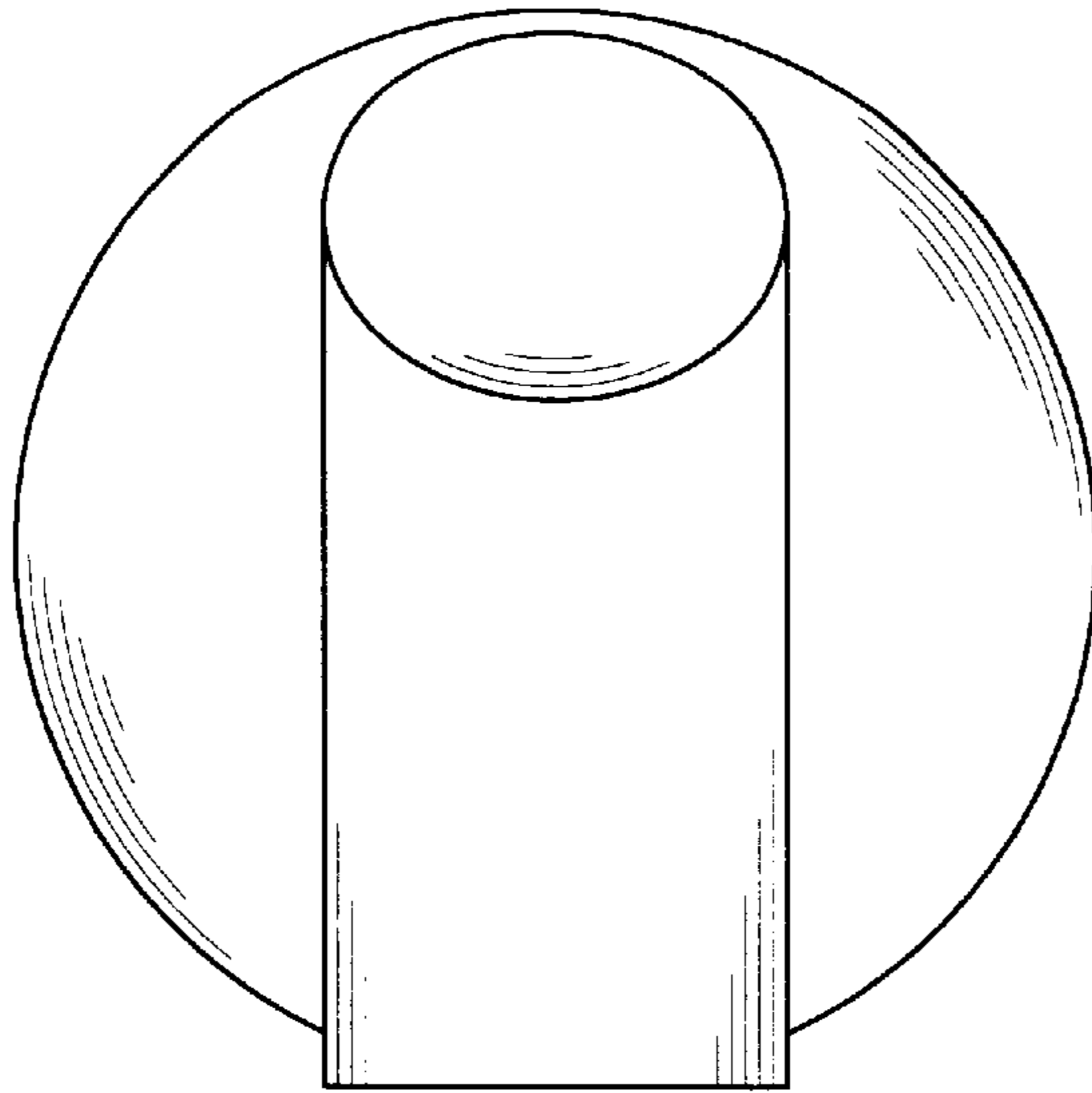


FIG. 2

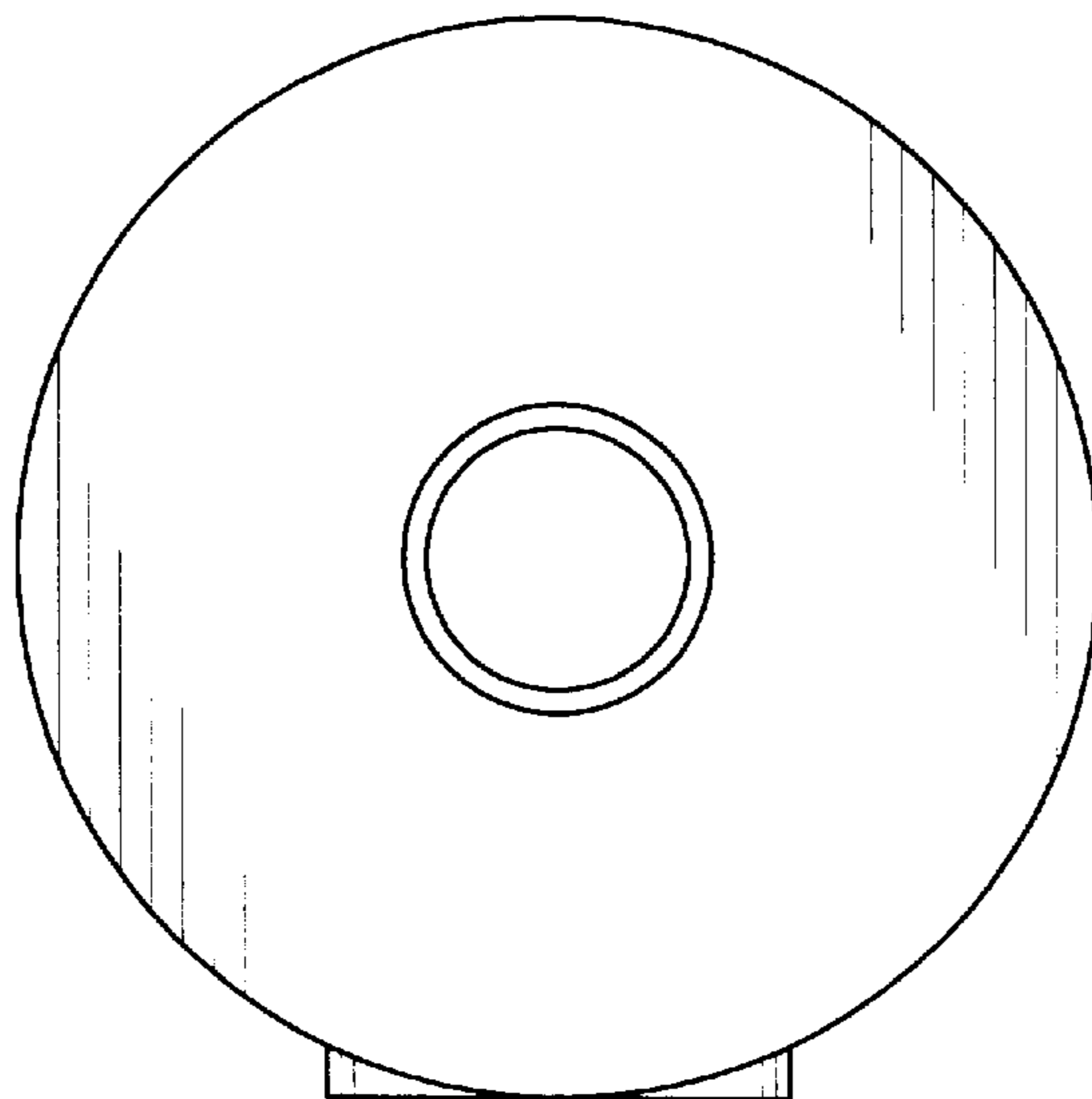


FIG. 3

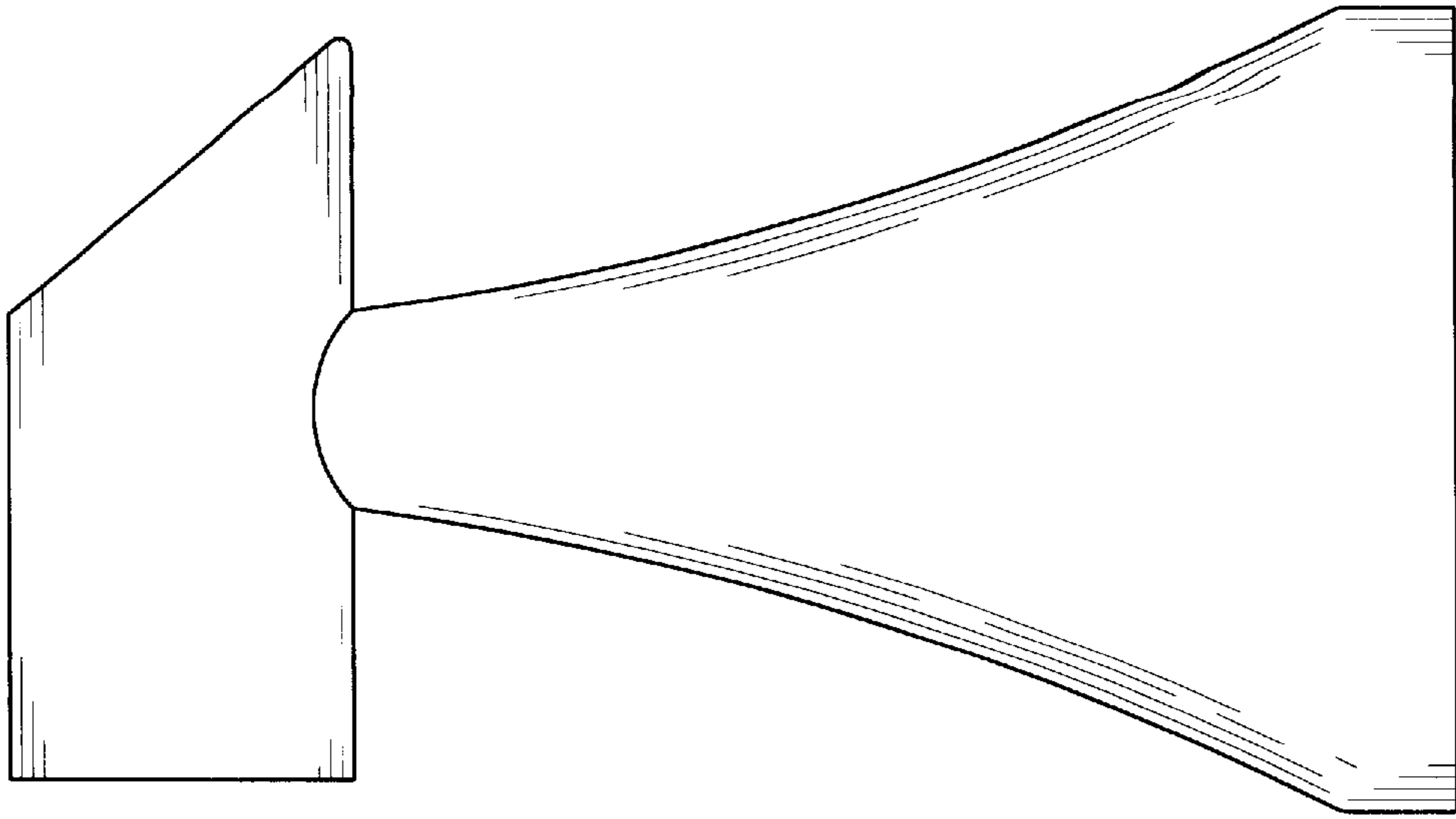


FIG. 4

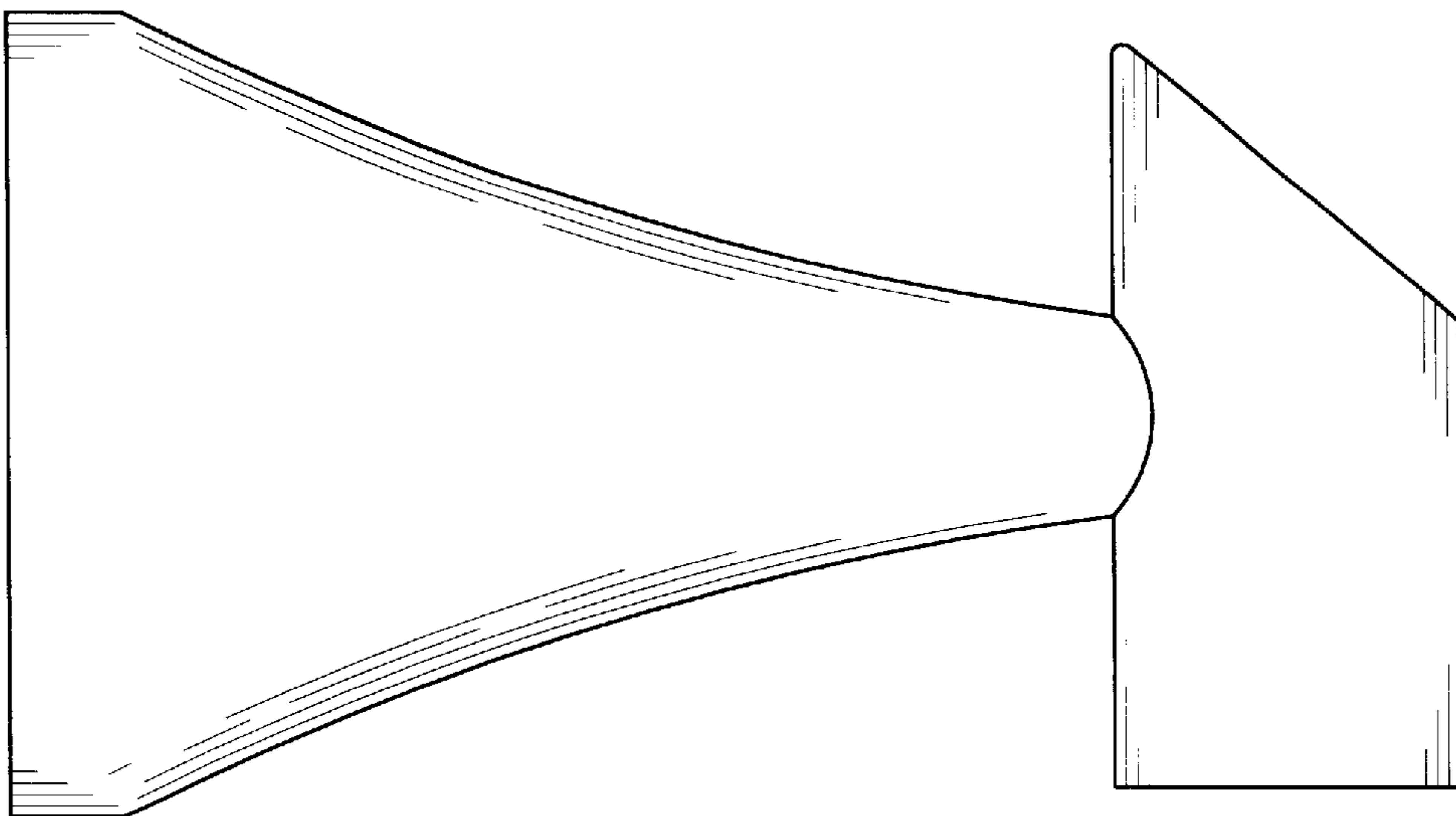


FIG. 5

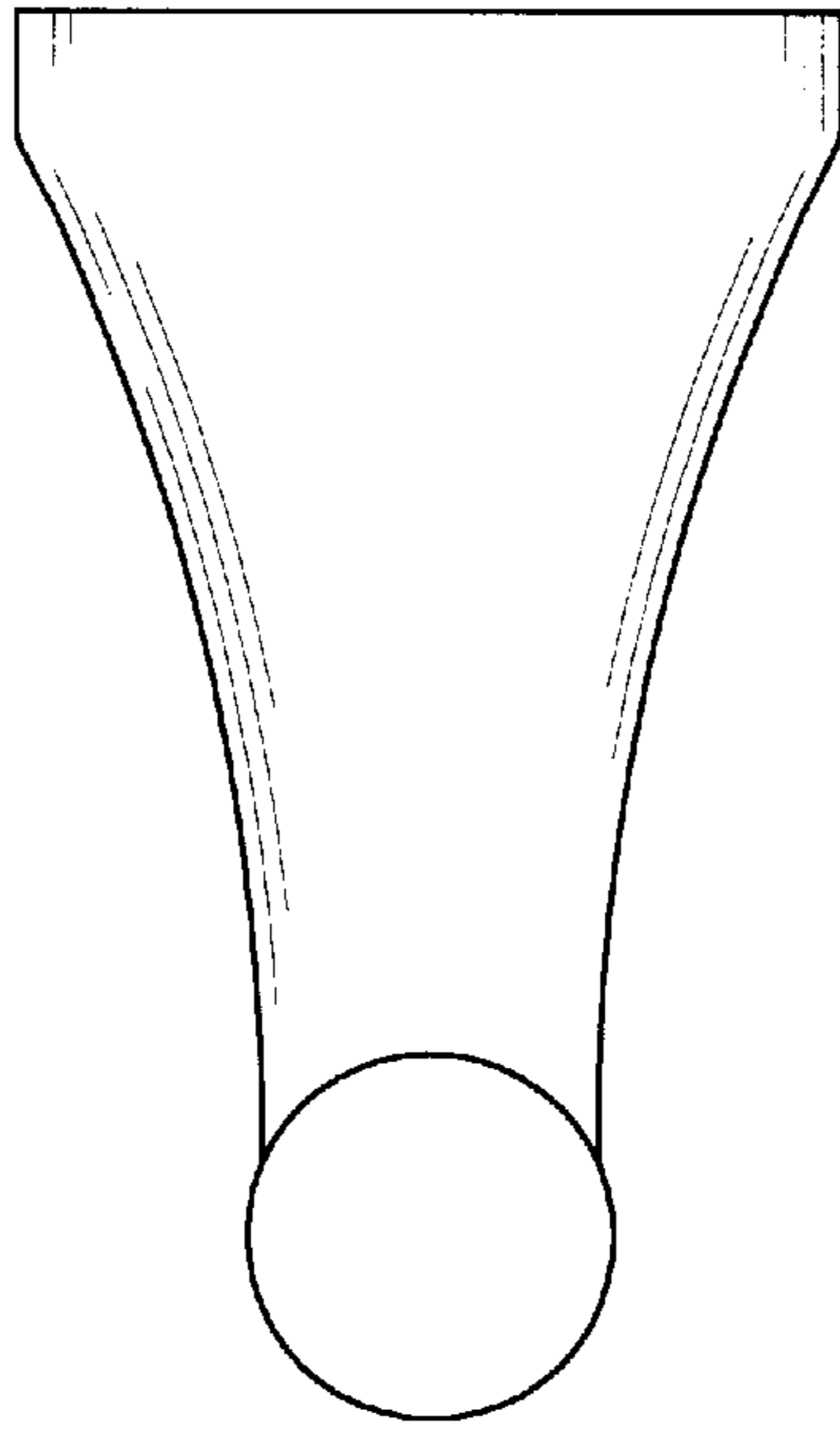


FIG. 6

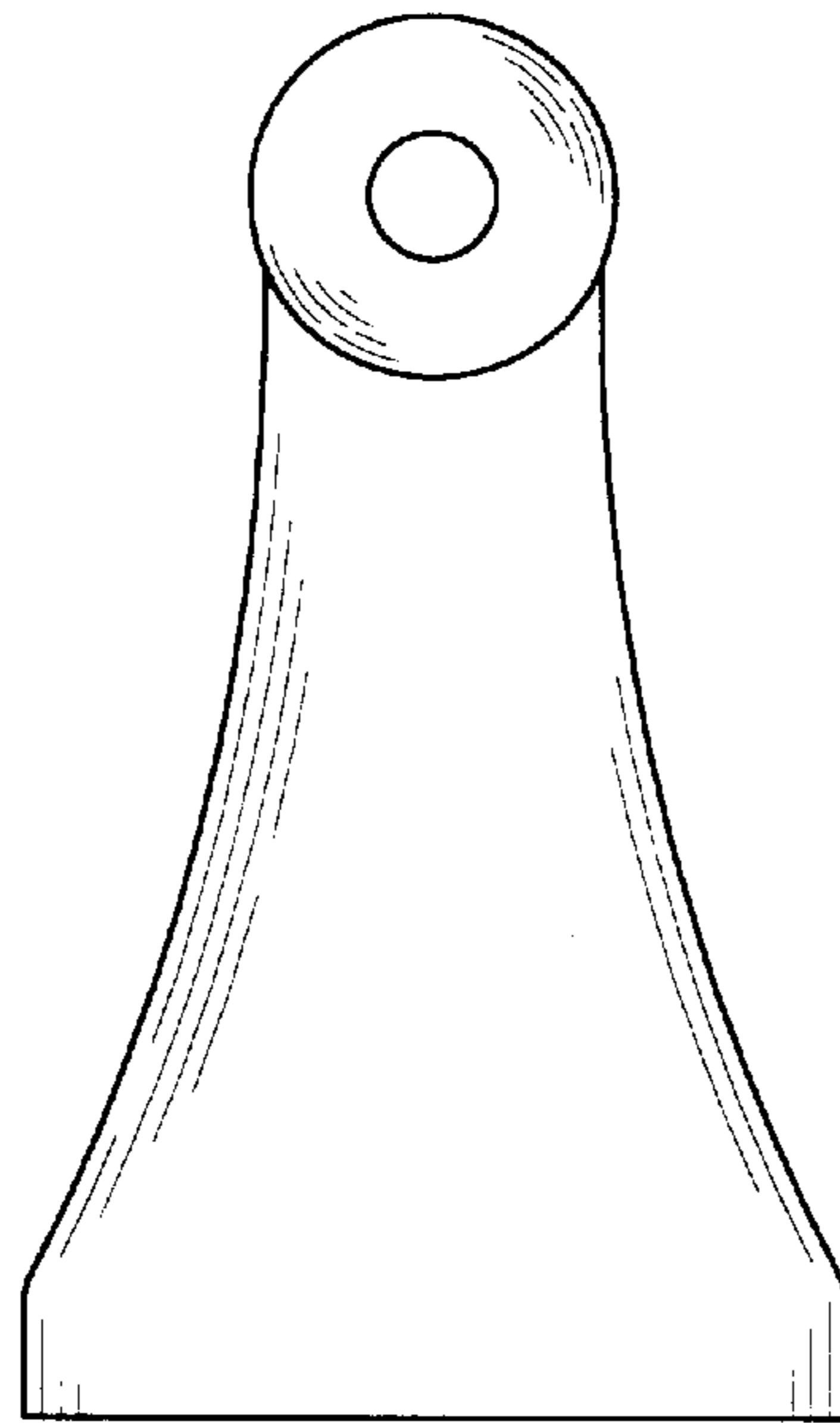


FIG. 7

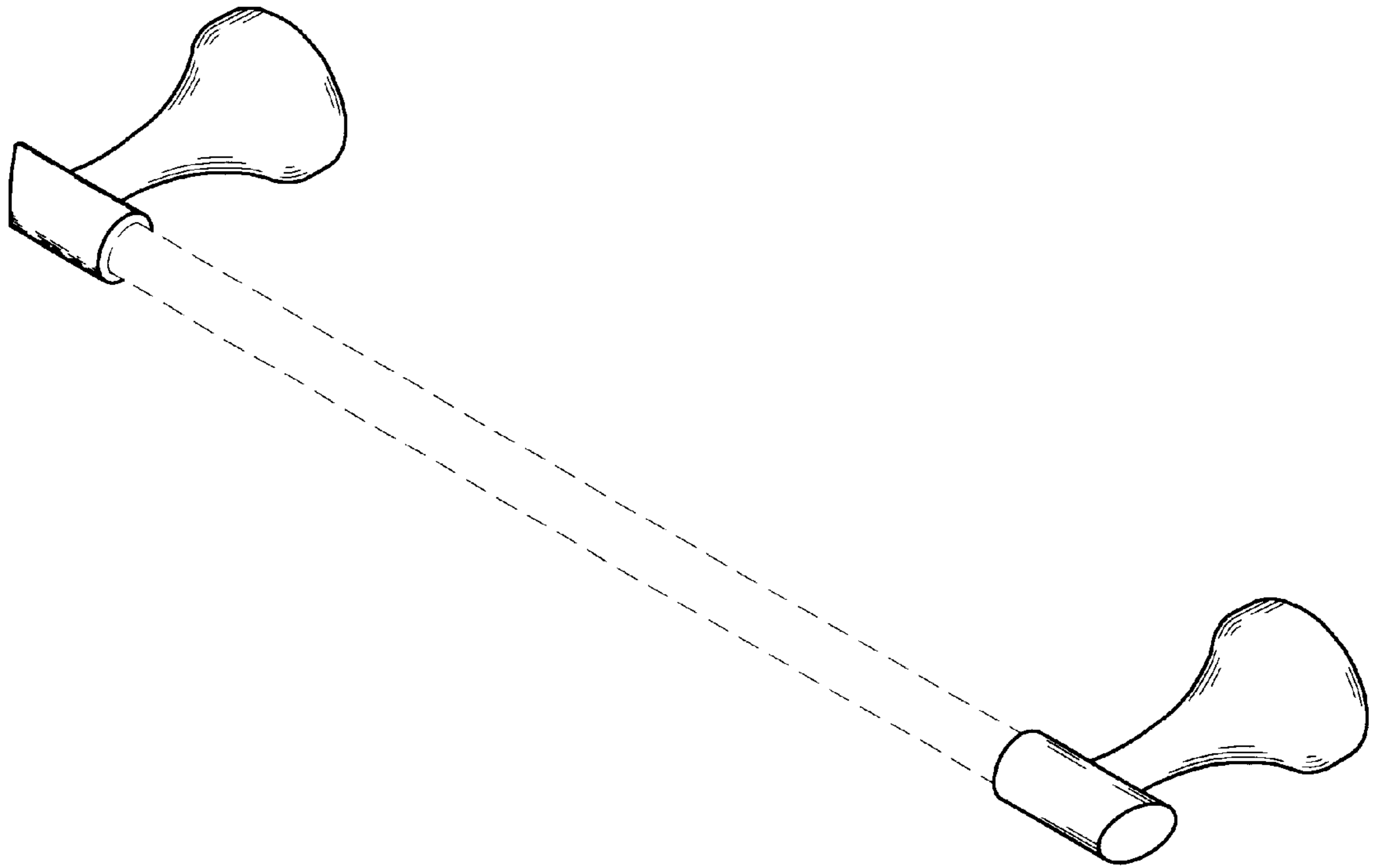


FIG.8

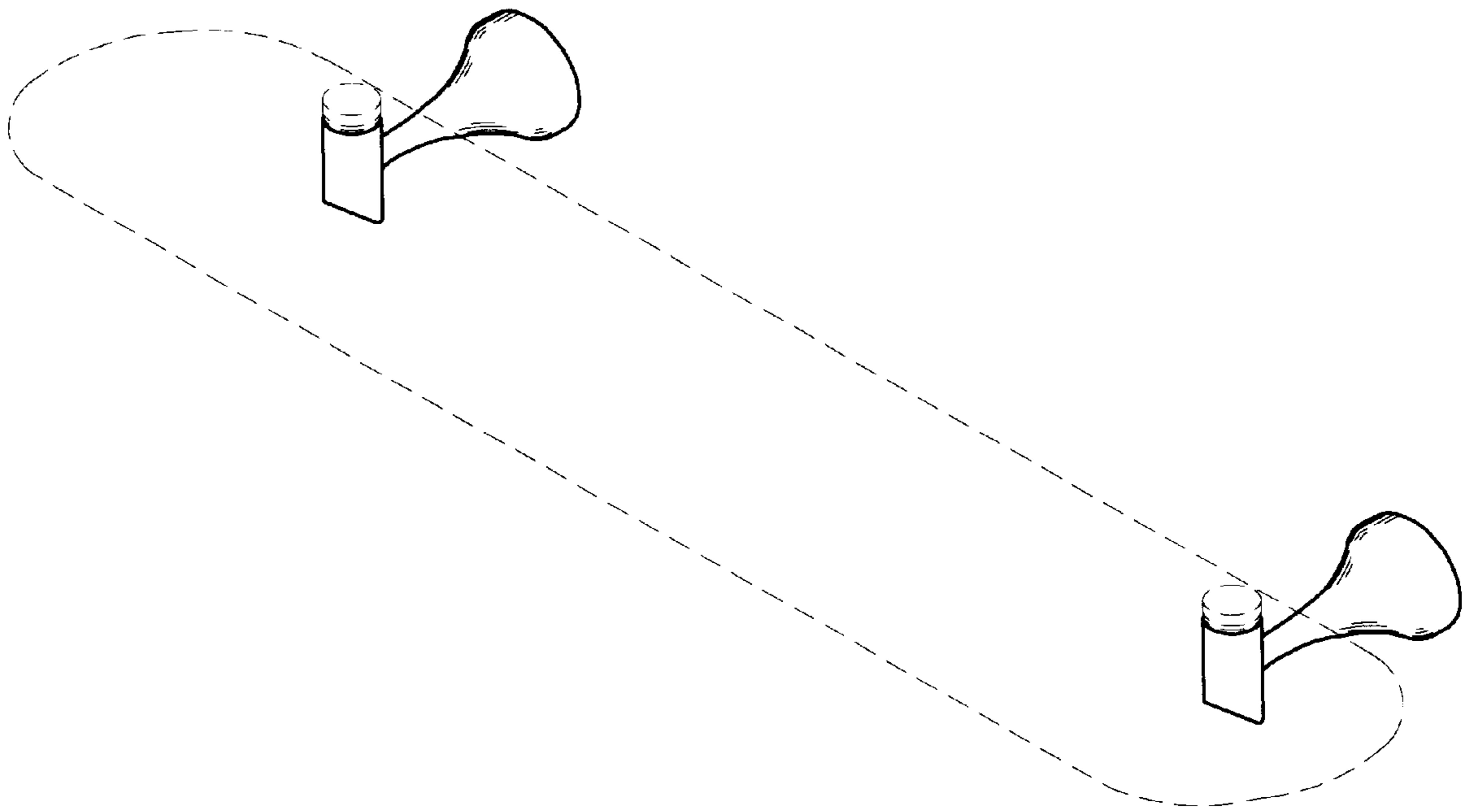


FIG. 9

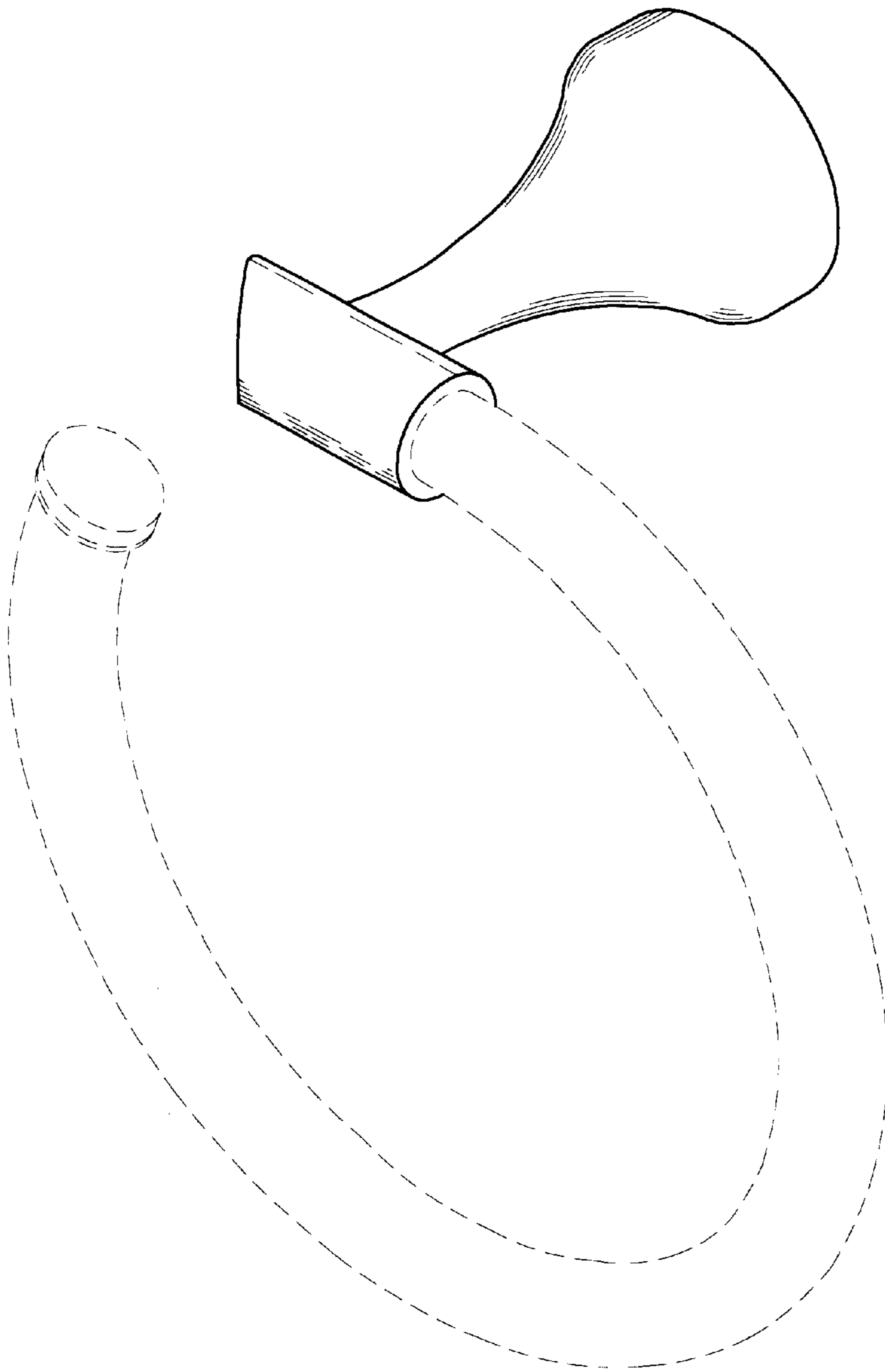


FIG.10