



US00D486017S

(12) **United States Design Patent**
Stanton

(10) **Patent No.:** **US D486,017 S**

(45) **Date of Patent:** **** Feb. 3, 2004**

(54) **TABLE**

(75) **Inventor:** **Shawn Christopher Stanton**, High Point, NC (US)

(73) **Assignee:** **Thomasville Furniture Industries, Inc.**, Thomasville, NC (US)

(**) **Term:** **14 Years**

(21) **Appl. No.:** **29/181,282**

(22) **Filed:** **May 8, 2003**

(51) **LOC (7) Cl.** **06-03**

(52) **U.S. Cl.** **D6/484**

(58) **Field of Search** D6/480-489, 495, D6/429, 511, 441; 108/153.1, 155, 156, 157.1, 161; 248/188, 188.1, 188.8

(56) **References Cited**

U.S. PATENT DOCUMENTS

D73,612 S	*	10/1927	Katz	D6/483
D91,029 S	*	11/1933	Guild	D6/480
D282,420 S	*	2/1986	Melland	D6/422
D480,583 S	*	10/2003	Risdall	D6/483

OTHER PUBLICATIONS

Furniture Leg on Sideboard, Maison Gerard Ltd., p. 272, date unknown, available as of the filing date.
Furniture Leg on Chair, source unknown, p. 145, date unknown, available as of the filing date.

Convenience Tables, Innkeeper's Classes Collection brochure, Thomasville Furniture Industries, Inc., p. 17, date unknown, available as of the filing date.

Nest-of-Tables, Lakehouse Collection brochure, Thomasville Furniture Industries, Inc., p. 16, 1992.

* cited by examiner

Primary Examiner—Janice E. Seeger

(74) *Attorney, Agent, or Firm*—Womble Carlyle Sandridge & Rice, PLLC

(57) **CLAIM**

The ornamental design for a table, as shown and described.

DESCRIPTION

FIG. 1 is a front perspective view of a table showing my new design;

FIG. 2 is a front elevational view thereof;

FIG. 3 is a side elevational view, the opposite side being a mirror image thereof;

FIG. 4 is a rear elevational view thereof;

FIG. 5 is a top view thereof; and,

FIG. 6 is a perspective view of a table showing my new design in a nested arrangement.

The views of the table not shown form no part of the claimed design. The broken lines depicting rails and nested arrangement of tables represent environmental elements only and form no part of the claimed design.

1 Claim, 6 Drawing Sheets





FIG. 1

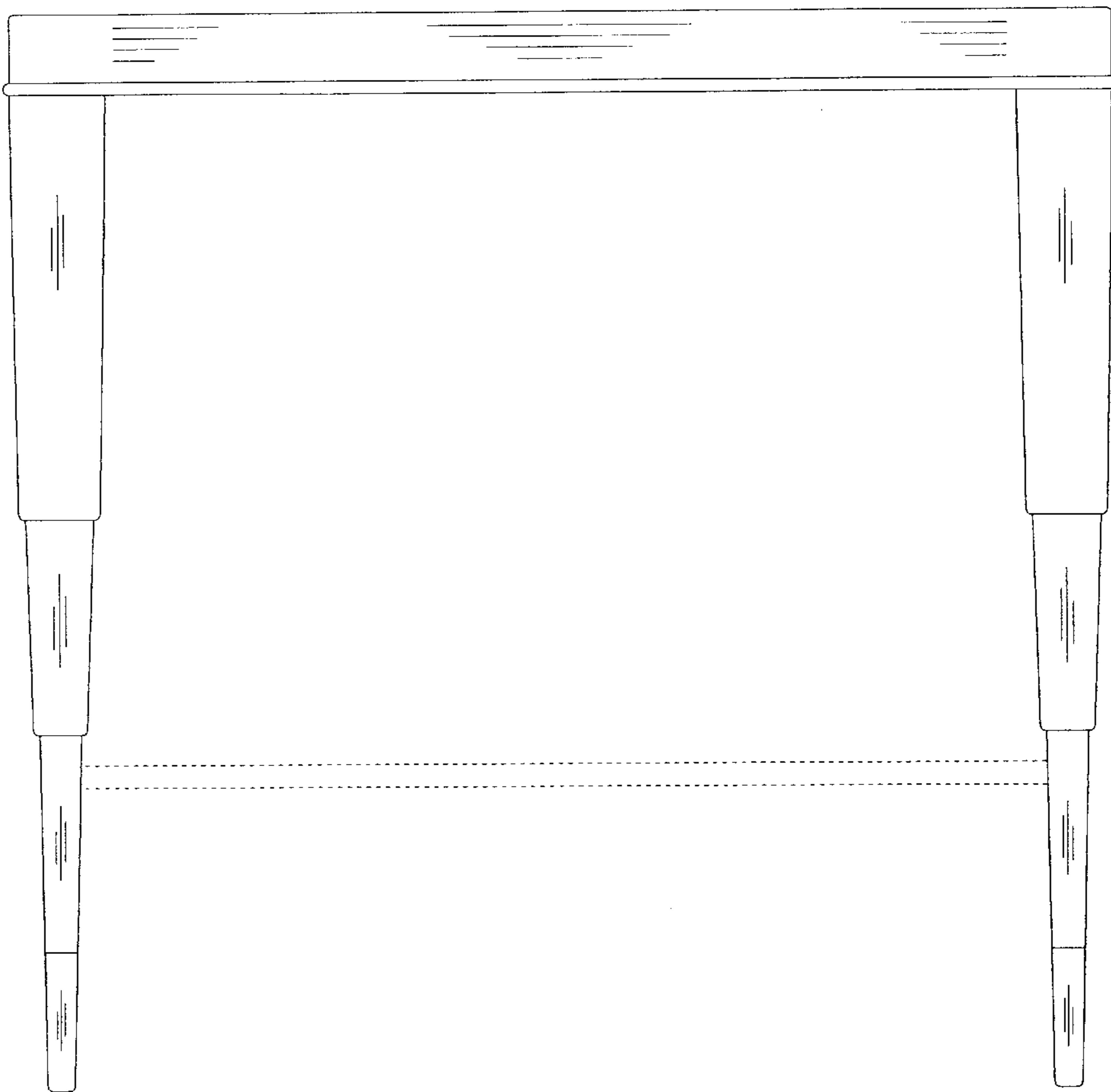


FIG. 2

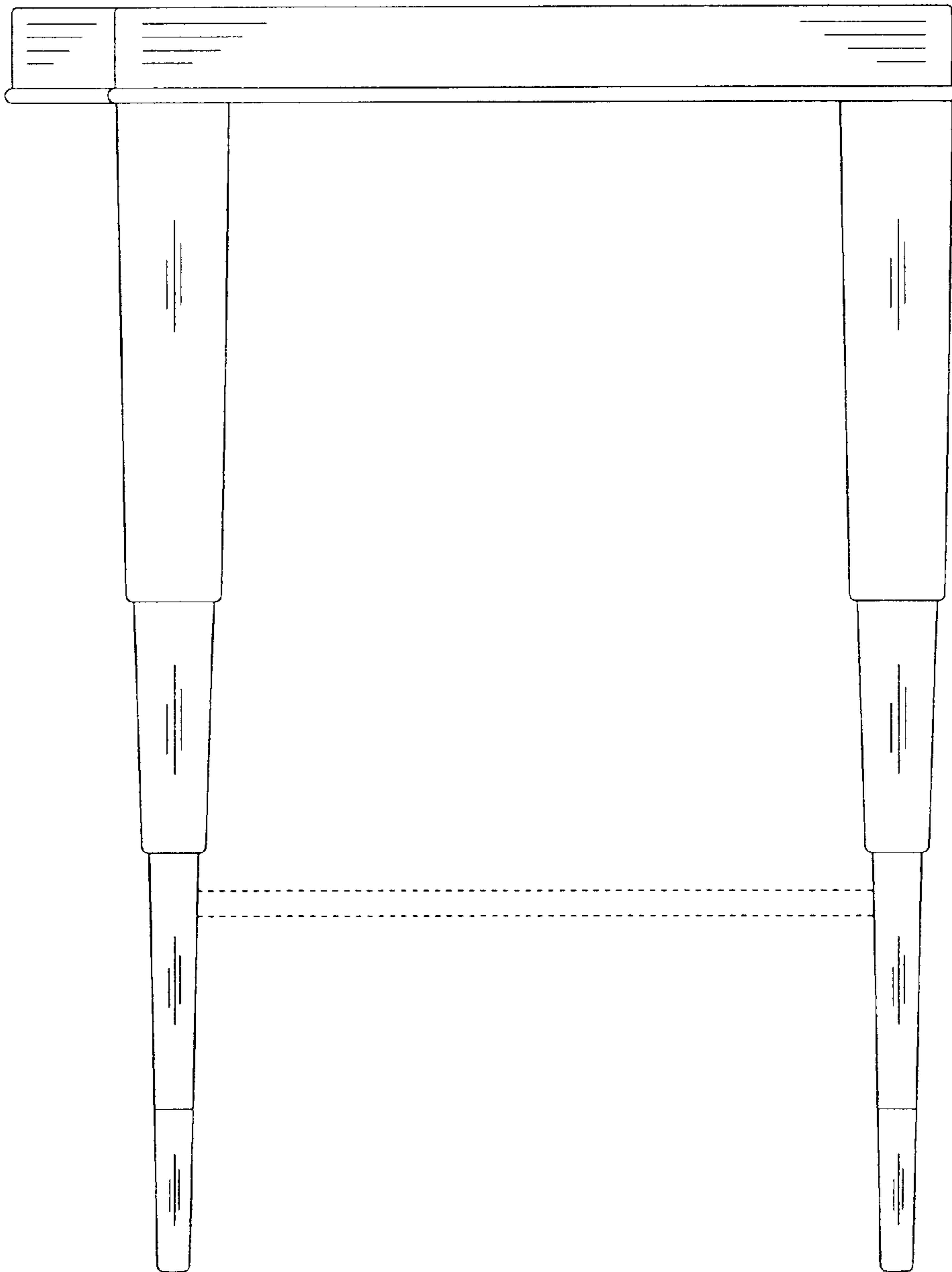


FIG. 3

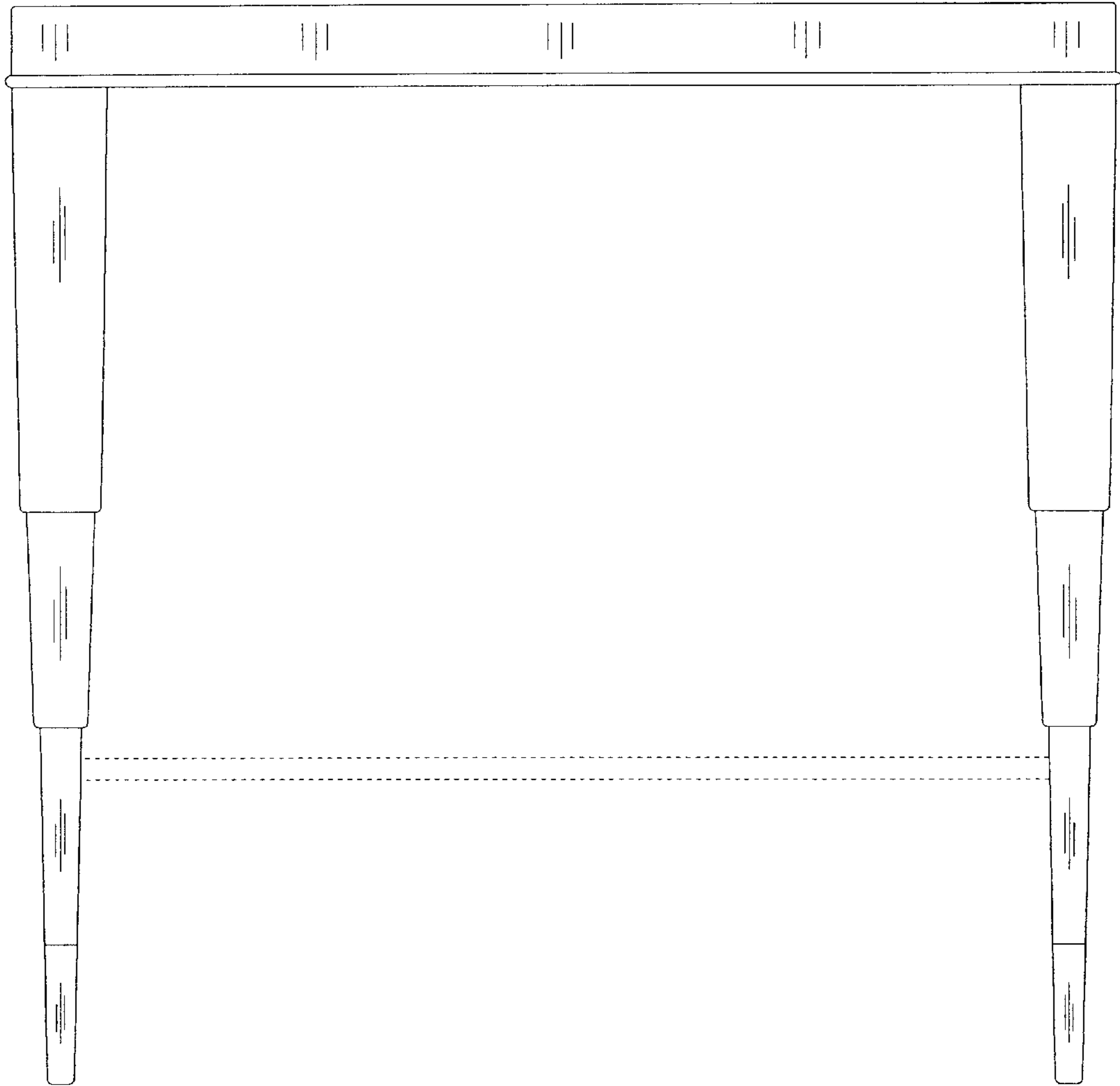


FIG. 4



FIG. 5

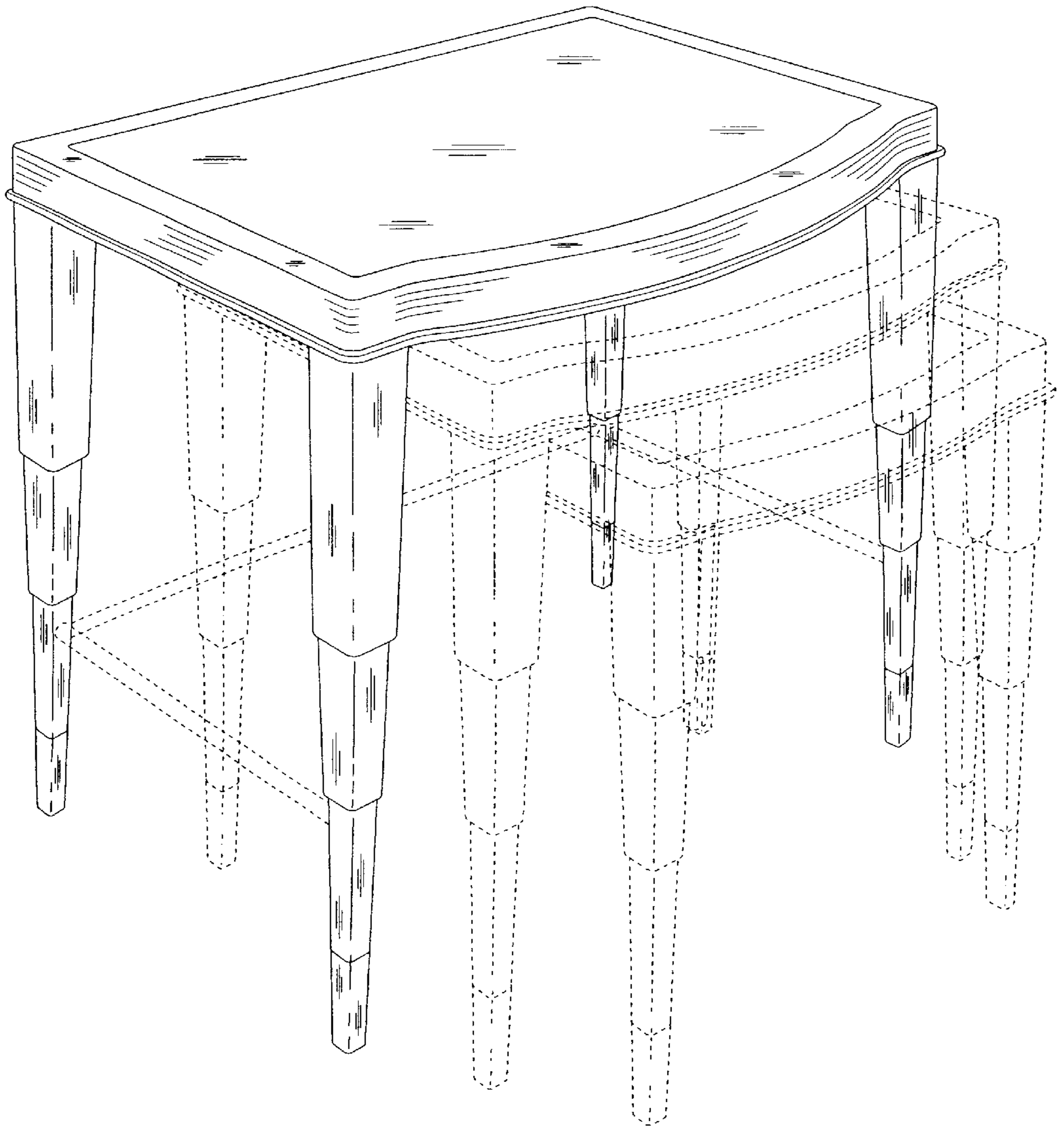


FIG. 6