



US00D486013S

(12) **United States Design Patent**
Cesaroni et al.

(10) **Patent No.:** **US D486,013 S**

(45) **Date of Patent:** **** Feb. 3, 2004**

(54) **COMPUTER WORK TABLE**

(75) Inventors: **William C. Cesaroni**, Glenview, IL (US); **Shawn O. Barrett**, Des Plaines, IL (US); **Robert J. Glenn, II**, Chicago, IL (US); **Douglas M. Hunt**, Muscatine, IA (US)

(73) Assignee: **HON Technology Inc.**, Muscatine, IA (US)

(**) Term: **14 Years**

(21) Appl. No.: **29/175,195**

(22) Filed: **Jan. 31, 2003**

(51) **LOC (7) Cl.** **06-03**

(52) **U.S. Cl.** **D6/480**

(58) **Field of Search** D6/480-489, 495-499, D6/511, 422, 426, 427; 108/153.1, 155, 156, 157.1, 161, 50.01, 50.02, 150; 248/188, 188.1, 188.8, 188.7

(56) **References Cited**

U.S. PATENT DOCUMENTS

2,719,771 A * 10/1955 Hoven et al. 108/150

D236,058 S * 7/1975 Kramer D6/484
D325,833 S * 5/1992 Saotome D6/484
D443,440 S * 6/2001 Deimen et al. D6/480

* cited by examiner

Primary Examiner—Janice E. Seeger
(74) *Attorney, Agent, or Firm*—Ronald A. Sandler; Jones Day

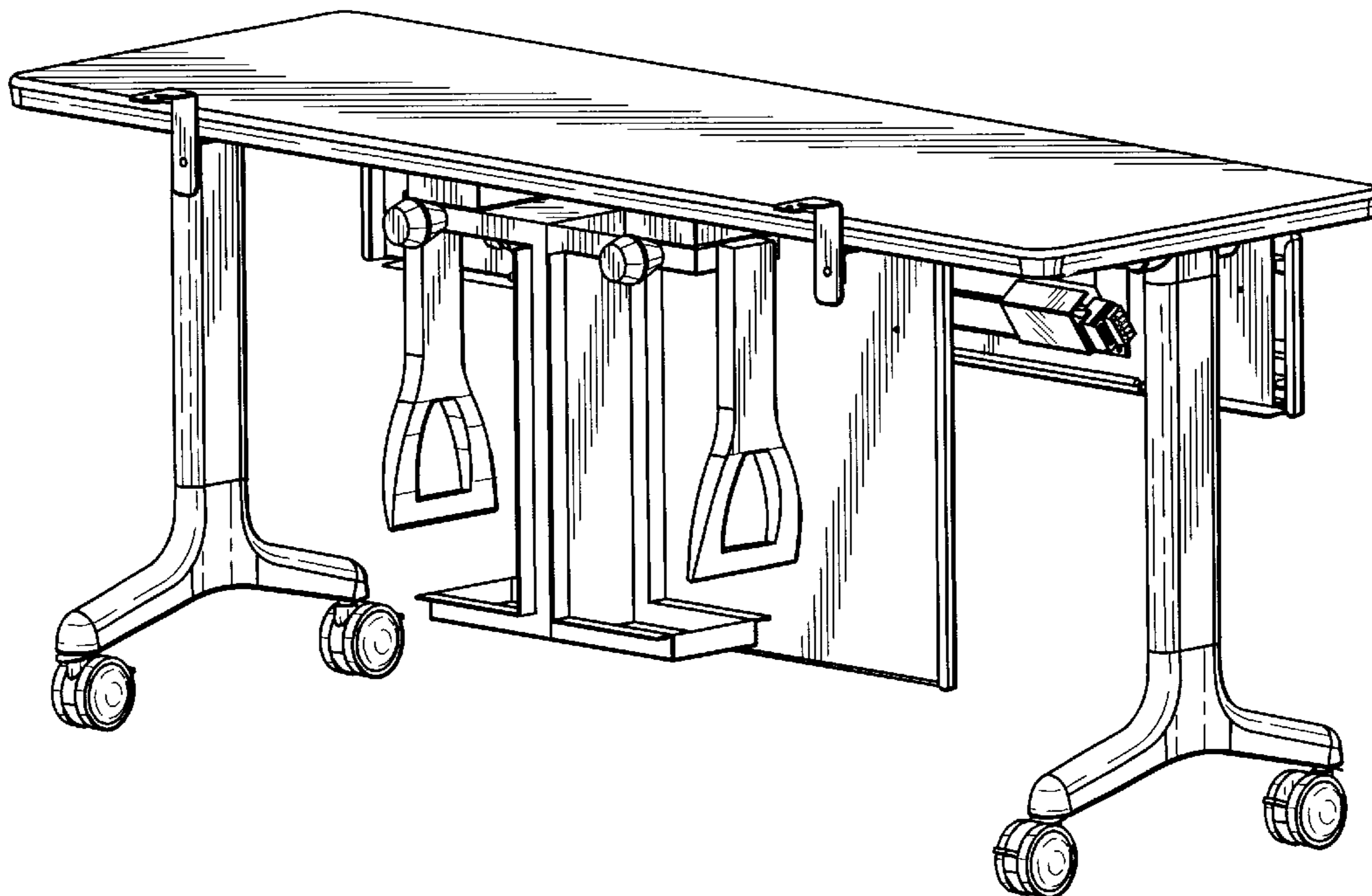
(57) **CLAIM**

The ornamental design for a computer work table, as shown and described.

DESCRIPTION

FIG. 1 is an isometric view of the computer work table showing the new design;
FIG. 2 is a front view thereof;
FIG. 3 is a rear view thereof;
FIG. 4 is a left side elevation view thereof;
FIG. 5 is a are right side elevation view thereof;
FIG. 6 is a top plan view thereof; and,
FIG. 7 is a bottom plan view thereof.

1 Claim, 4 Drawing Sheets



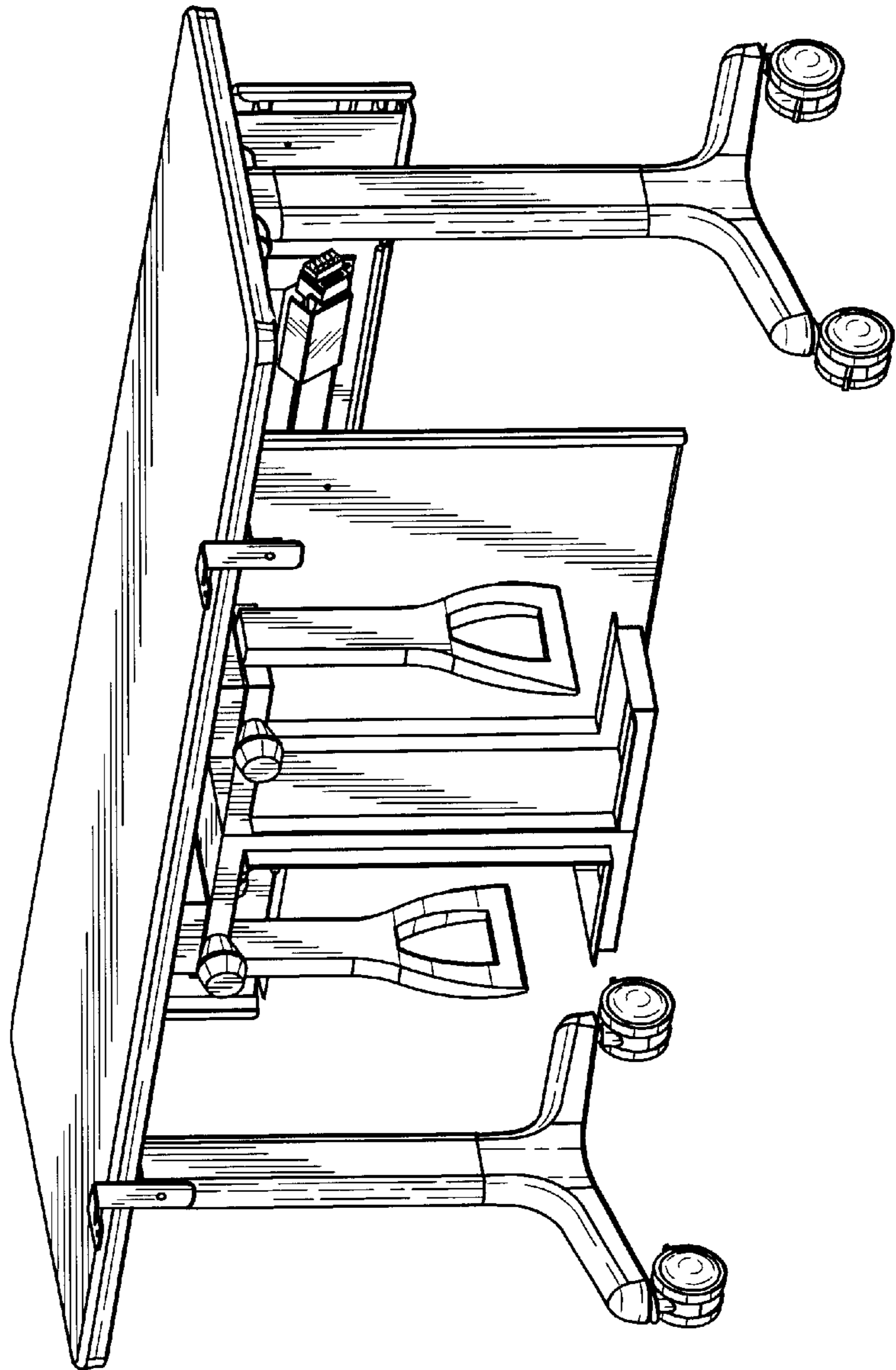


Fig. 1

Fig. 2

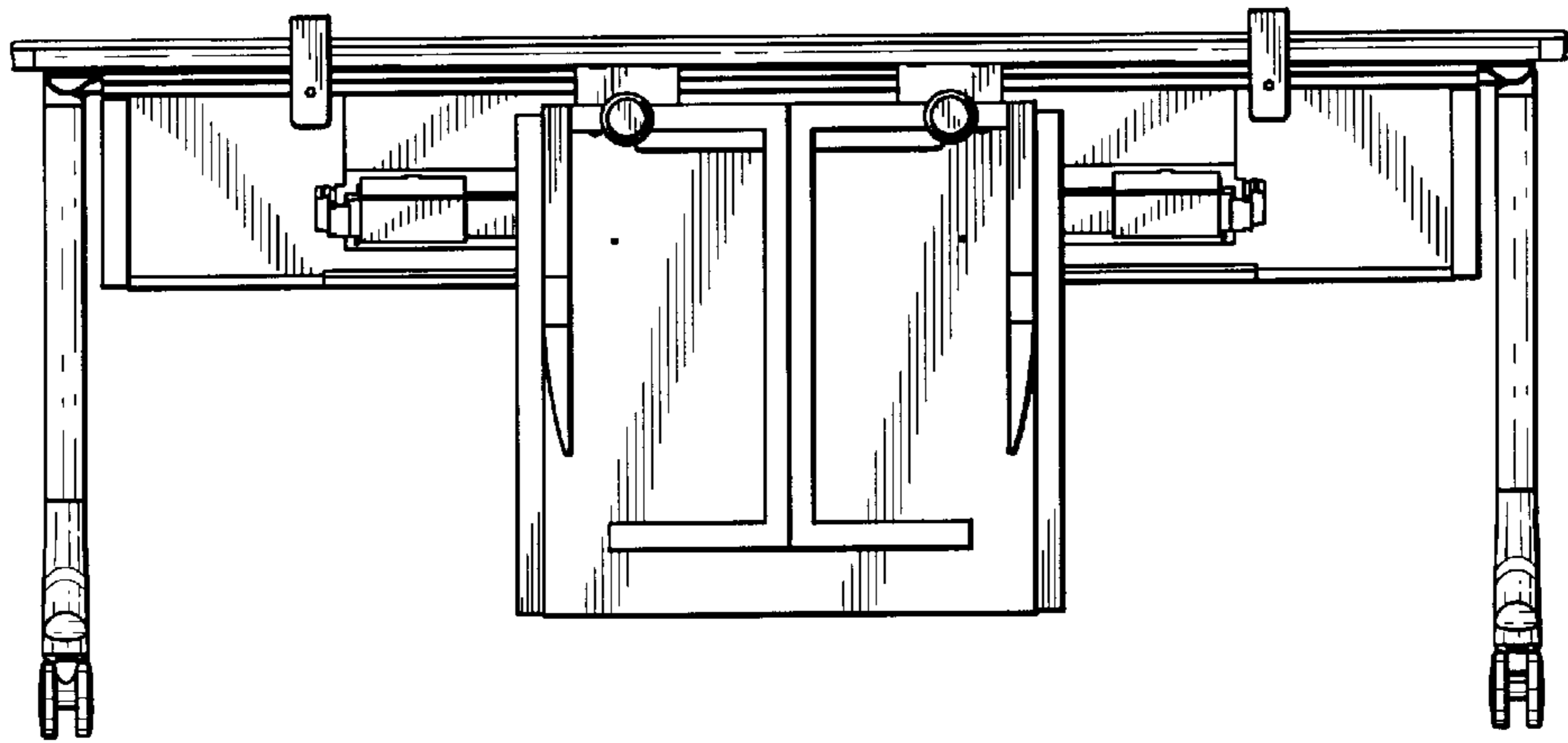


Fig. 3

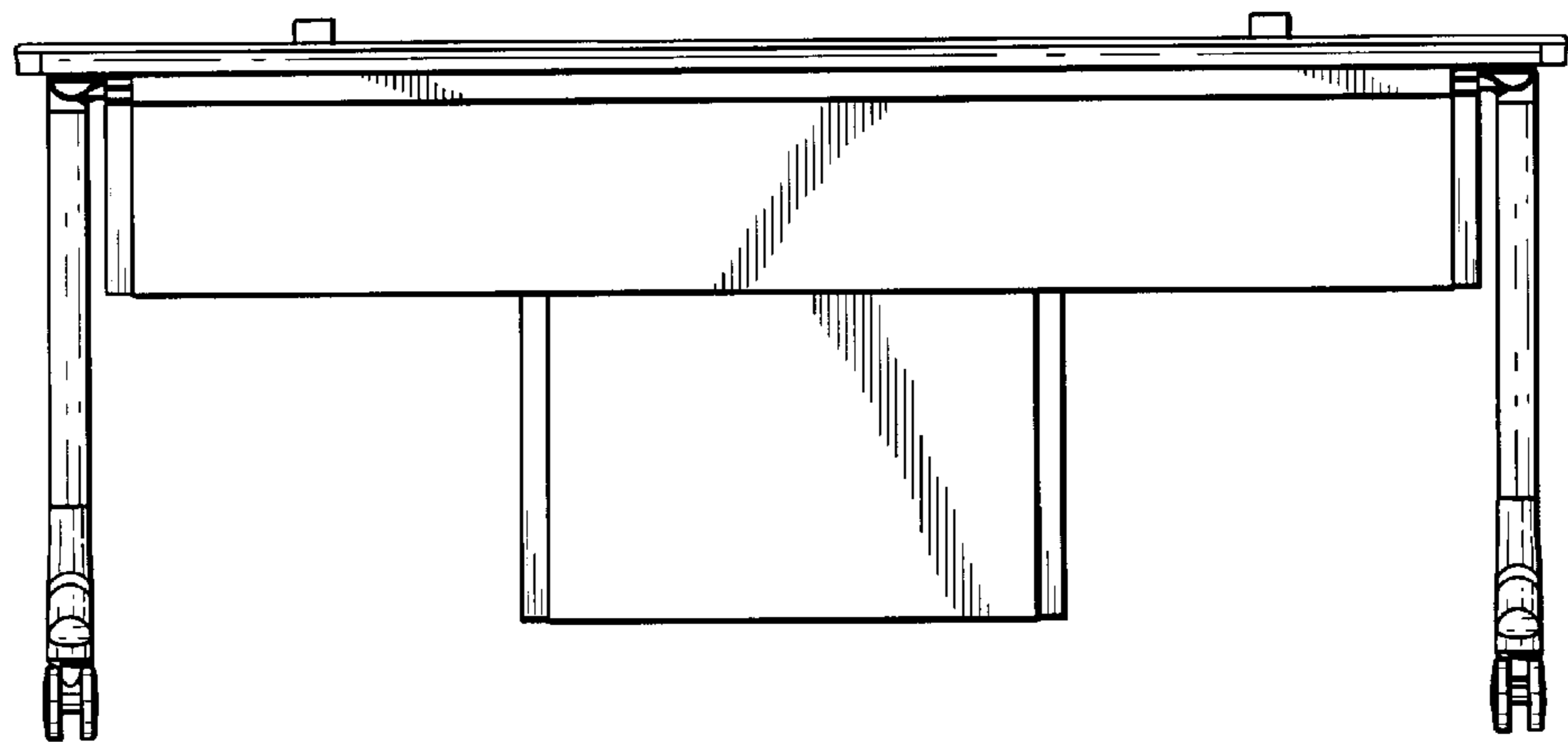


Fig. 4

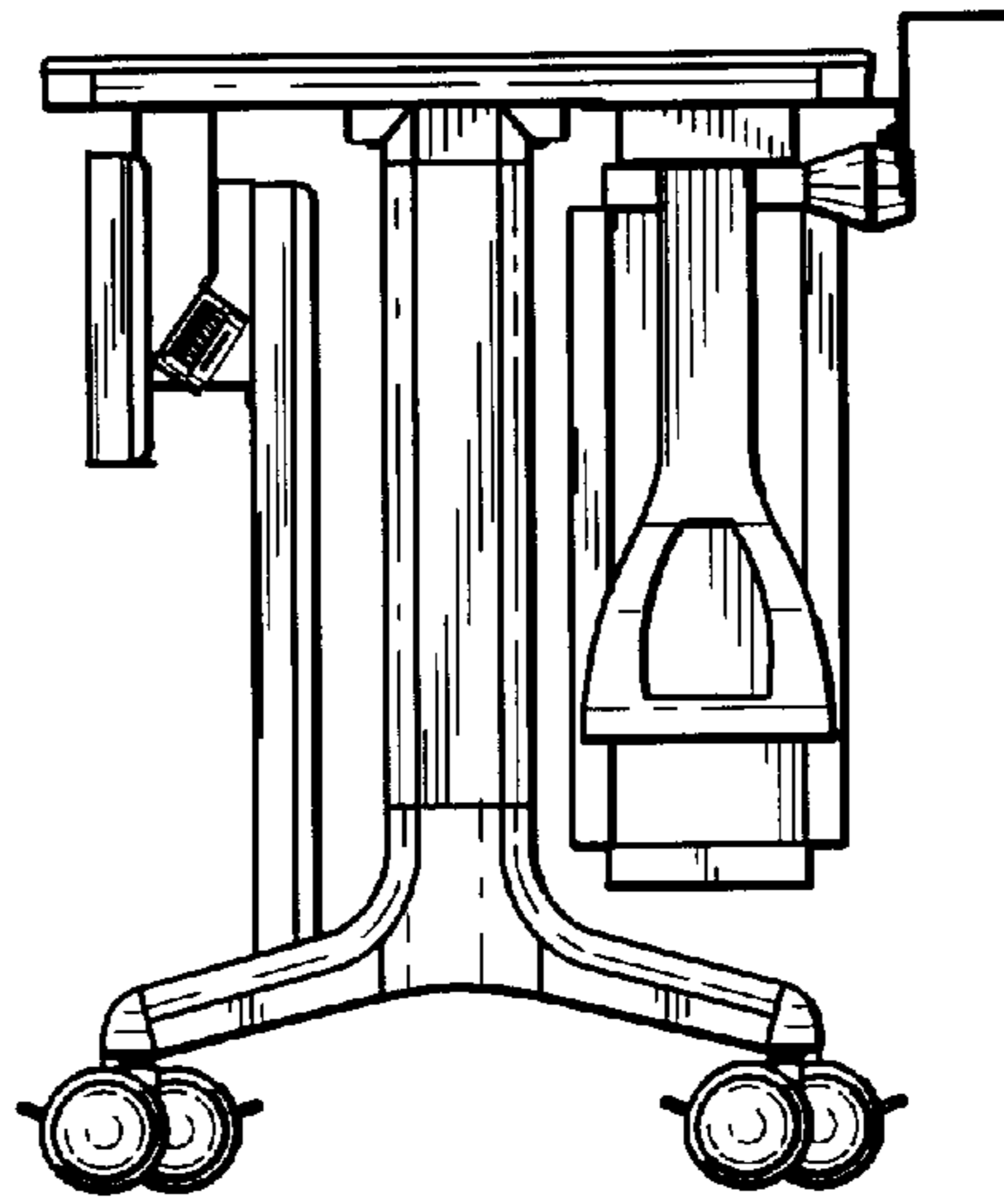


Fig. 5

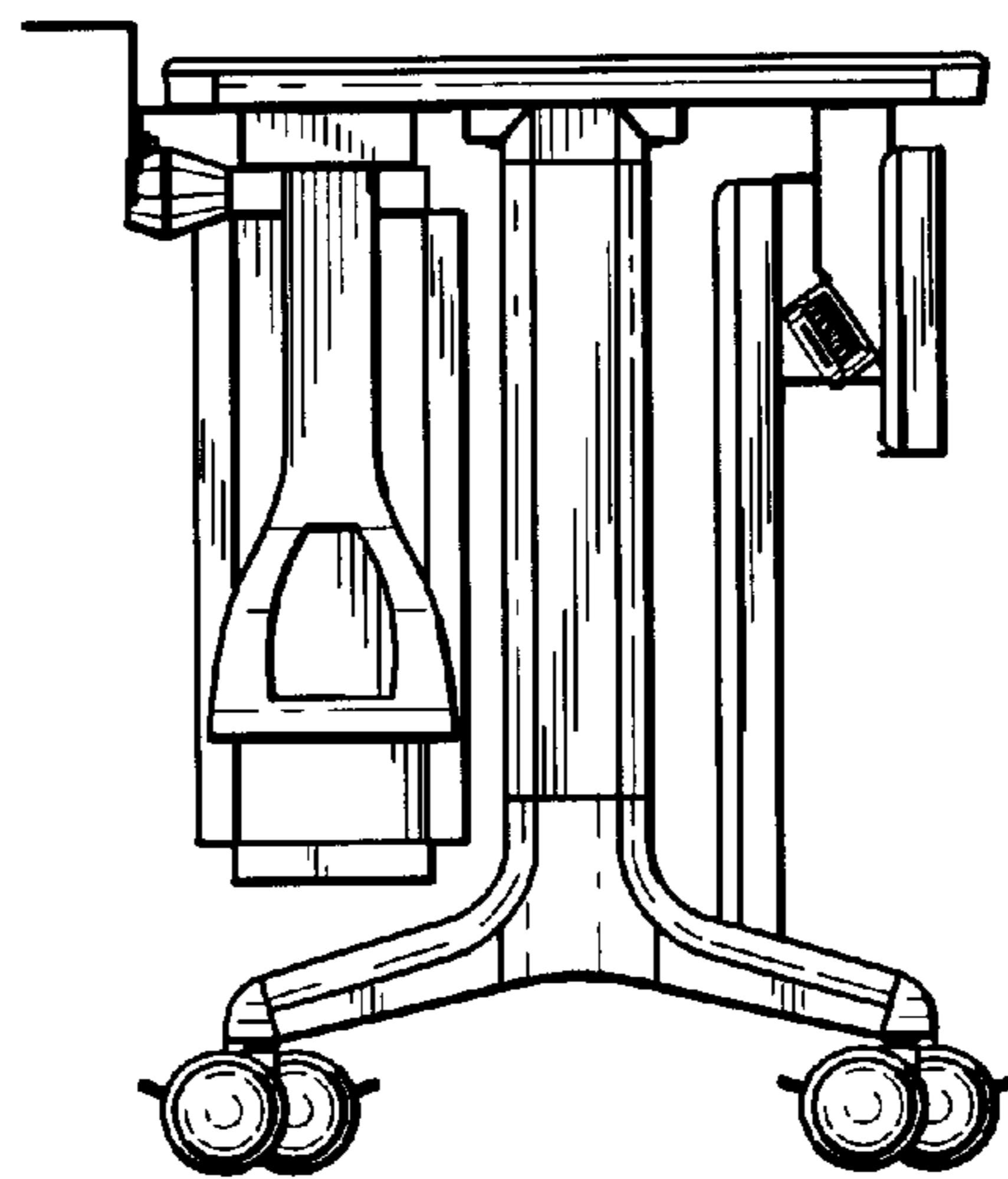


Fig. 6

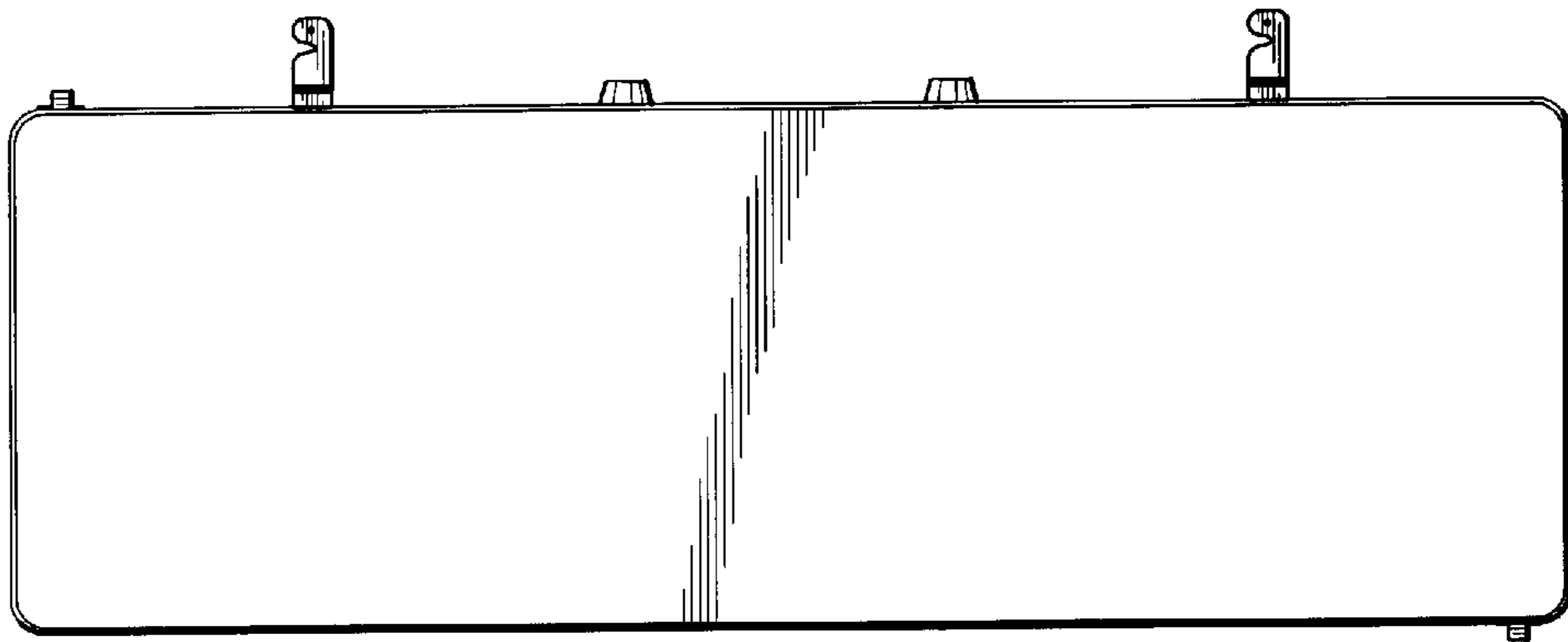


Fig. 7

