



US00D486012S

(12) **United States Design Patent**  
**Gray**

(10) **Patent No.:** **US D486,012 S**

(45) **Date of Patent:** **\*\* Feb. 3, 2004**

(54) **DISPLAY CASE**

(75) **Inventor:** **Michael H. Gray**, Corona Del Mar, CA (US)

(73) **Assignee:** **The Sweet Life Enterprises, Inc.**, Santa Ana, CA (US)

(\*\*) **Term:** **14 Years**

(21) **Appl. No.:** **29/167,788**

(22) **Filed:** **Sep. 20, 2002**

(51) **LOC (7) Cl.** ..... **06-04**

(52) **U.S. Cl.** ..... **D6/470**

(58) **Field of Search** ..... D6/470, 471, 472, D6/475; 312/114, 126

(56) **References Cited**

**U.S. PATENT DOCUMENTS**

1,255,407	A	*	2/1918	Goetz	.....	312/114	X
D254,414	S	*	3/1980	Gajewski	.....	D6/471	
D277,350	S	*	1/1985	Smith	.....	D6/471	
D281,124	S	*	10/1985	Rejwan	.....	D6/470	
D321,614	S	*	11/1991	Liptak	.....	D6/475	
5,263,576	A	*	11/1993	Boreen et al.	.....	40/737	X
5,524,977	A	*	6/1996	Orawski	.....	312/114	
D426,087	S	*	6/2000	Walls, Jr.	.....	D6/470	
6,098,529	A		8/2000	Brummett et al.			

D430,981	S	*	9/2000	Walls, Jr.	.....	D6/470
D461,654	S	*	8/2002	Tamburello	.....	D6/470
D474,046	S	*	5/2003	Brown, III	.....	D6/470

\* cited by examiner

*Primary Examiner*—Cathron C. Brooks

(74) *Attorney, Agent, or Firm*—Knobbe Martens Olson & Bear LLP

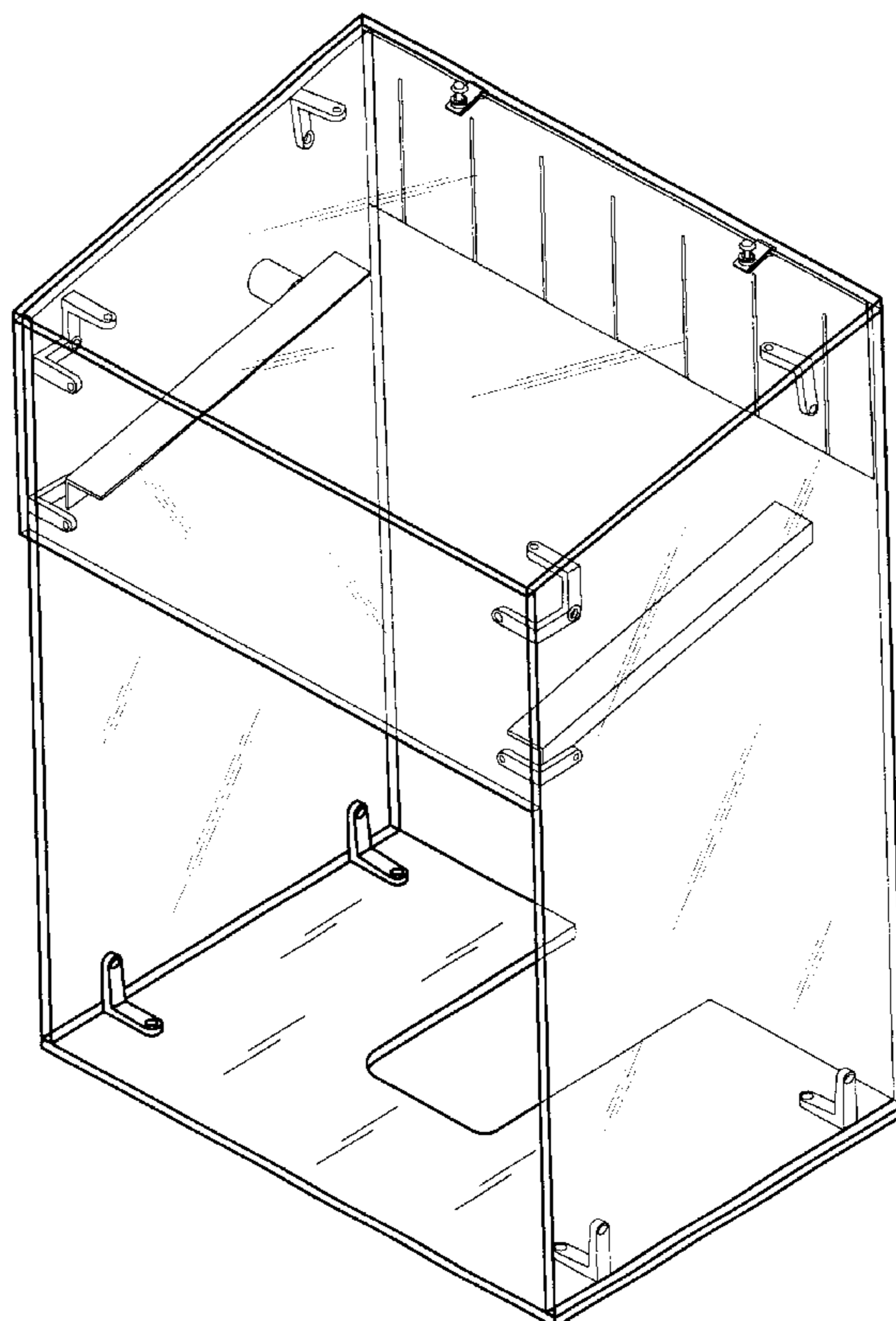
(57) **CLAIM**

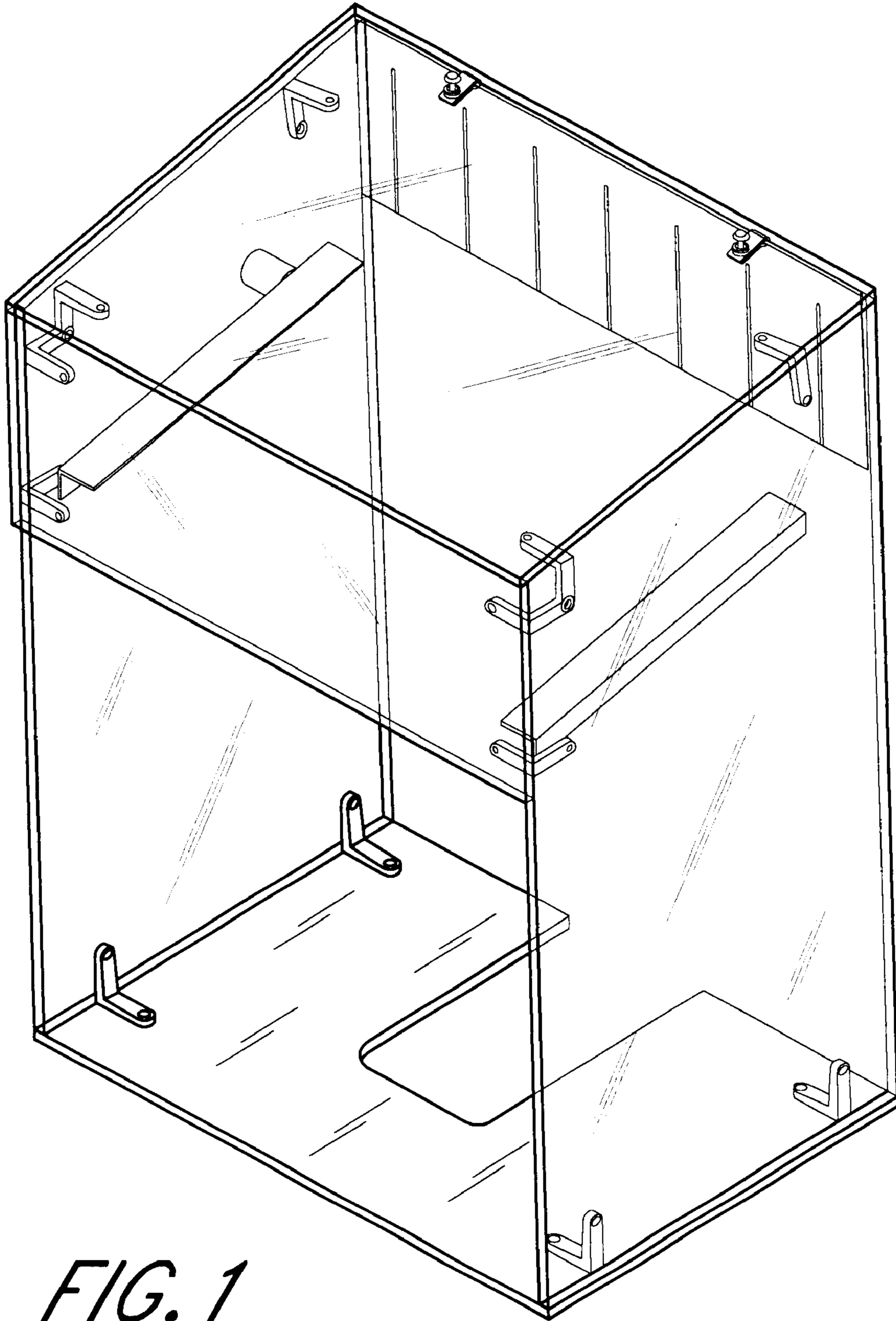
The ornamental design for a display case, as shown and described.

**DESCRIPTION**

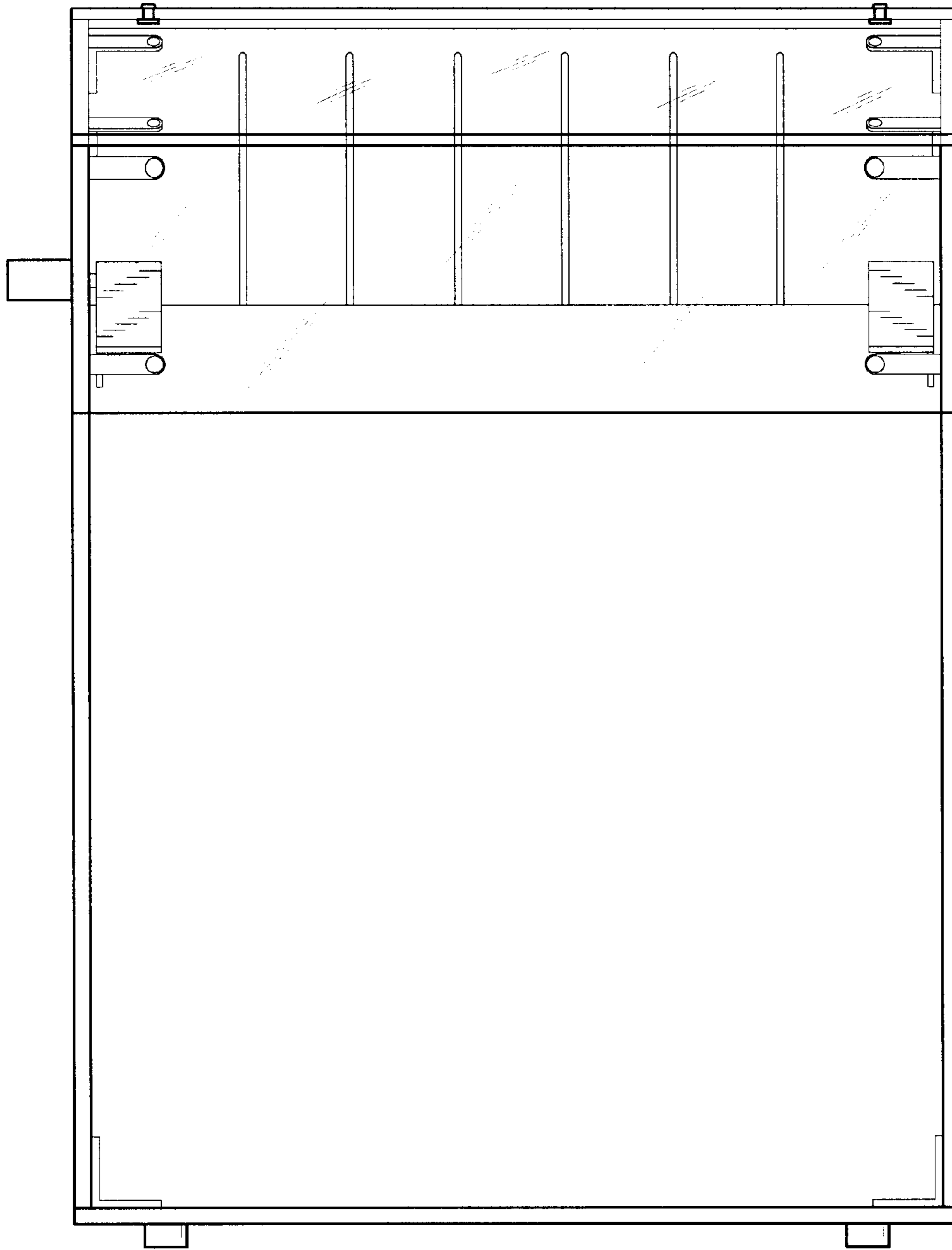
FIG. 1 is a front perspective view of the display case according to the present design;  
 FIG. 2 is a front elevational view of the display case of FIG. 1;  
 FIG. 3 is a rear elevational view of the display case of FIG. 1;  
 FIG. 4 is a right-side elevational view of the display case of FIG. 1;  
 FIG. 5 is a left-side elevational view of the display case of FIG. 1;  
 FIG. 6 is a top plan view of the display case of FIG. 1; and,  
 FIG. 7 is a bottom plan view of the display case of FIG. 1.

**1 Claim, 6 Drawing Sheets**

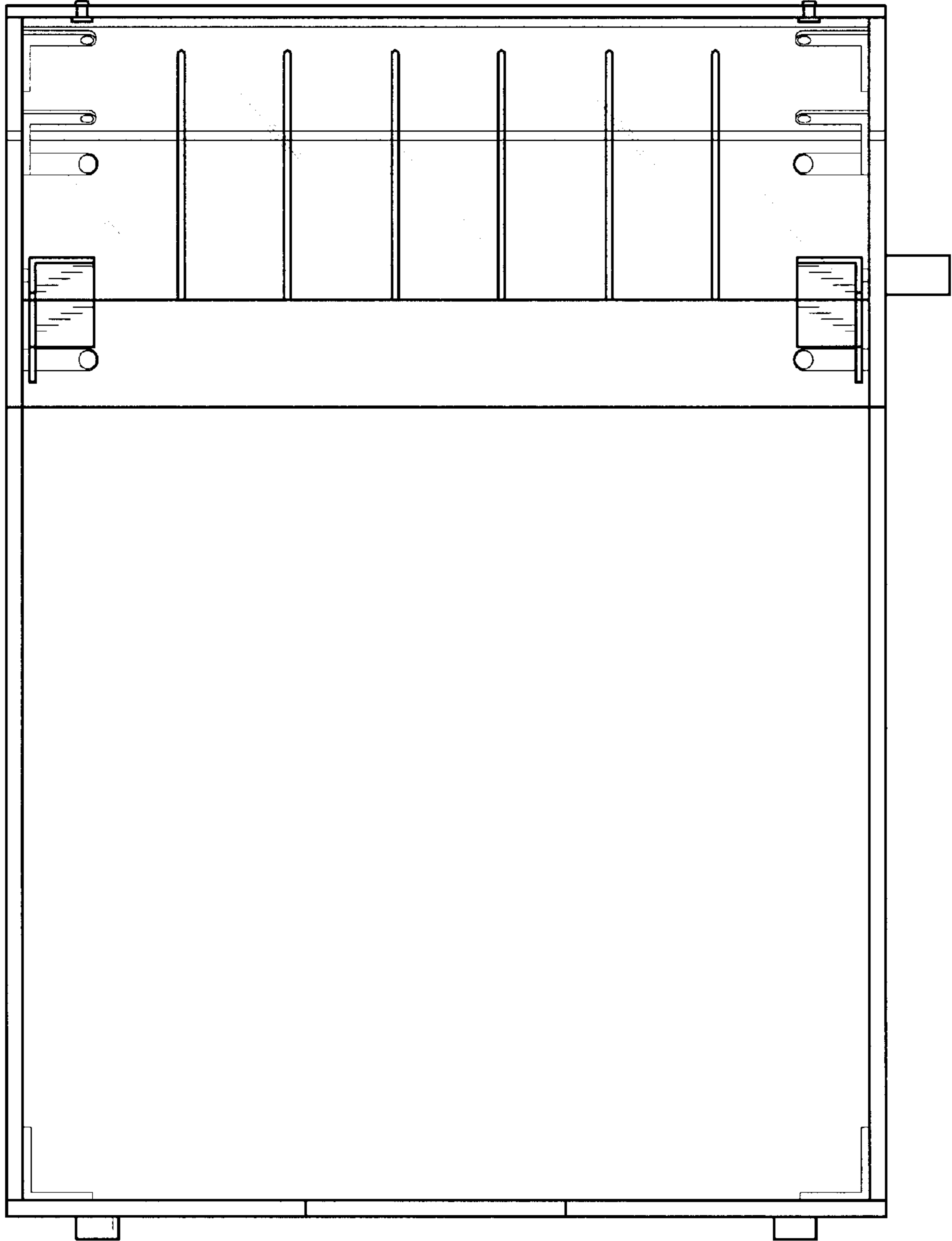




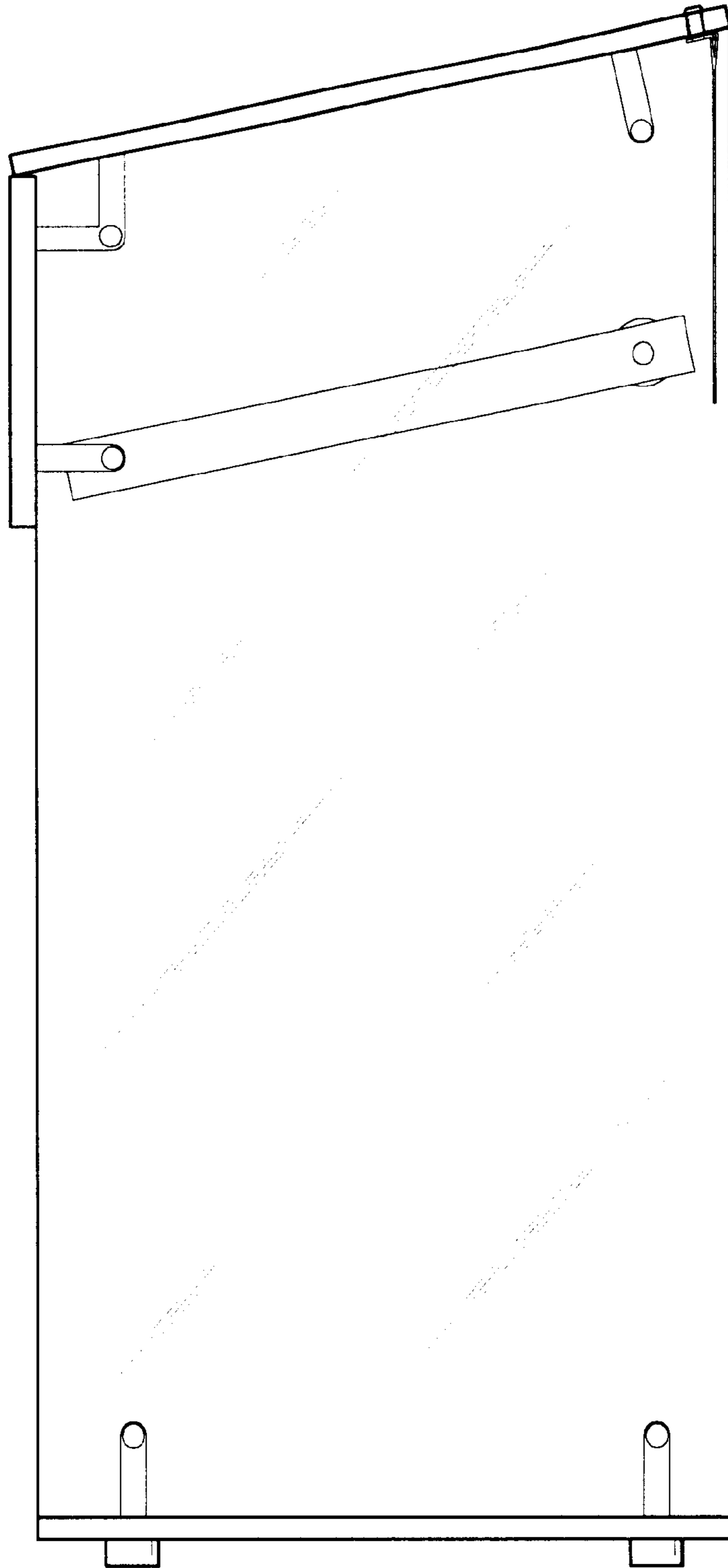
*FIG. 1*



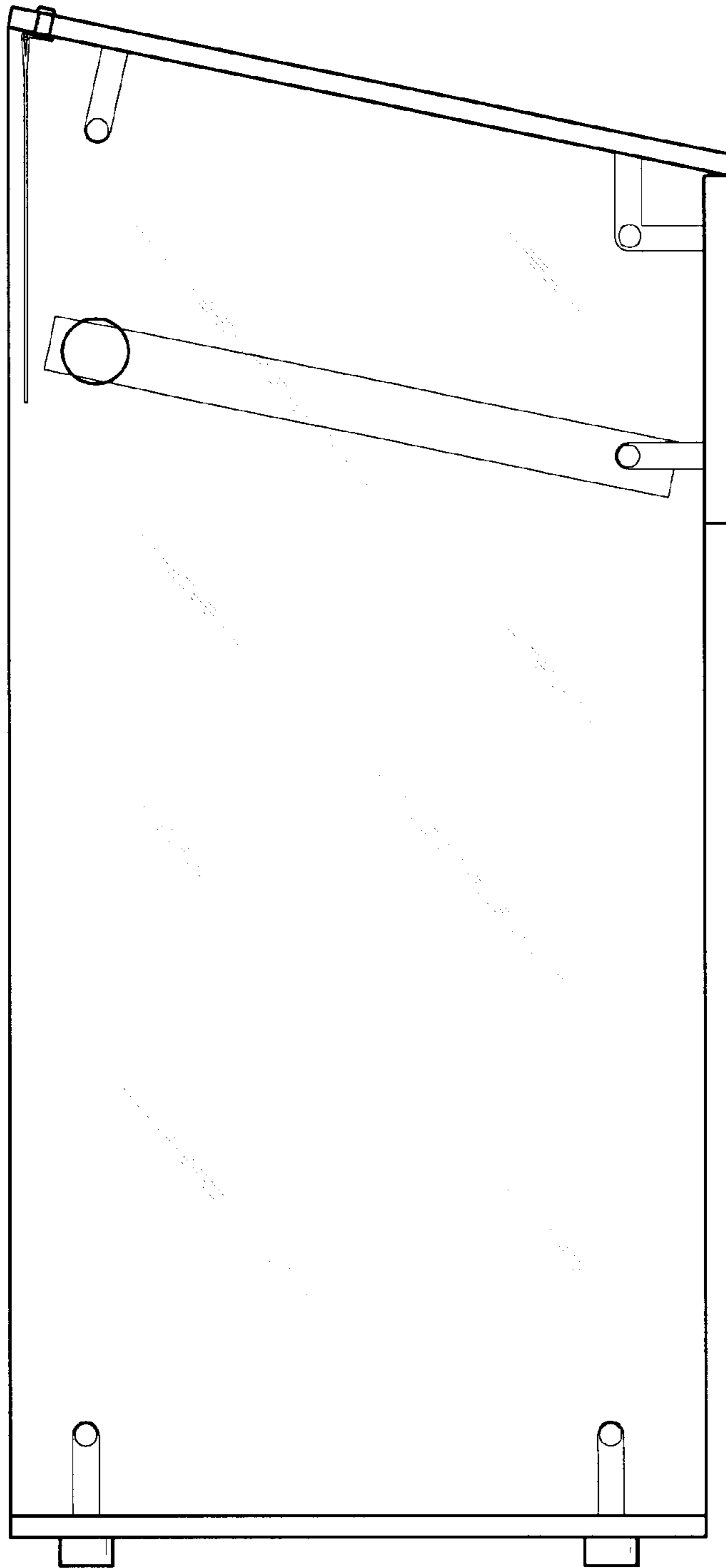
*FIG. 2*



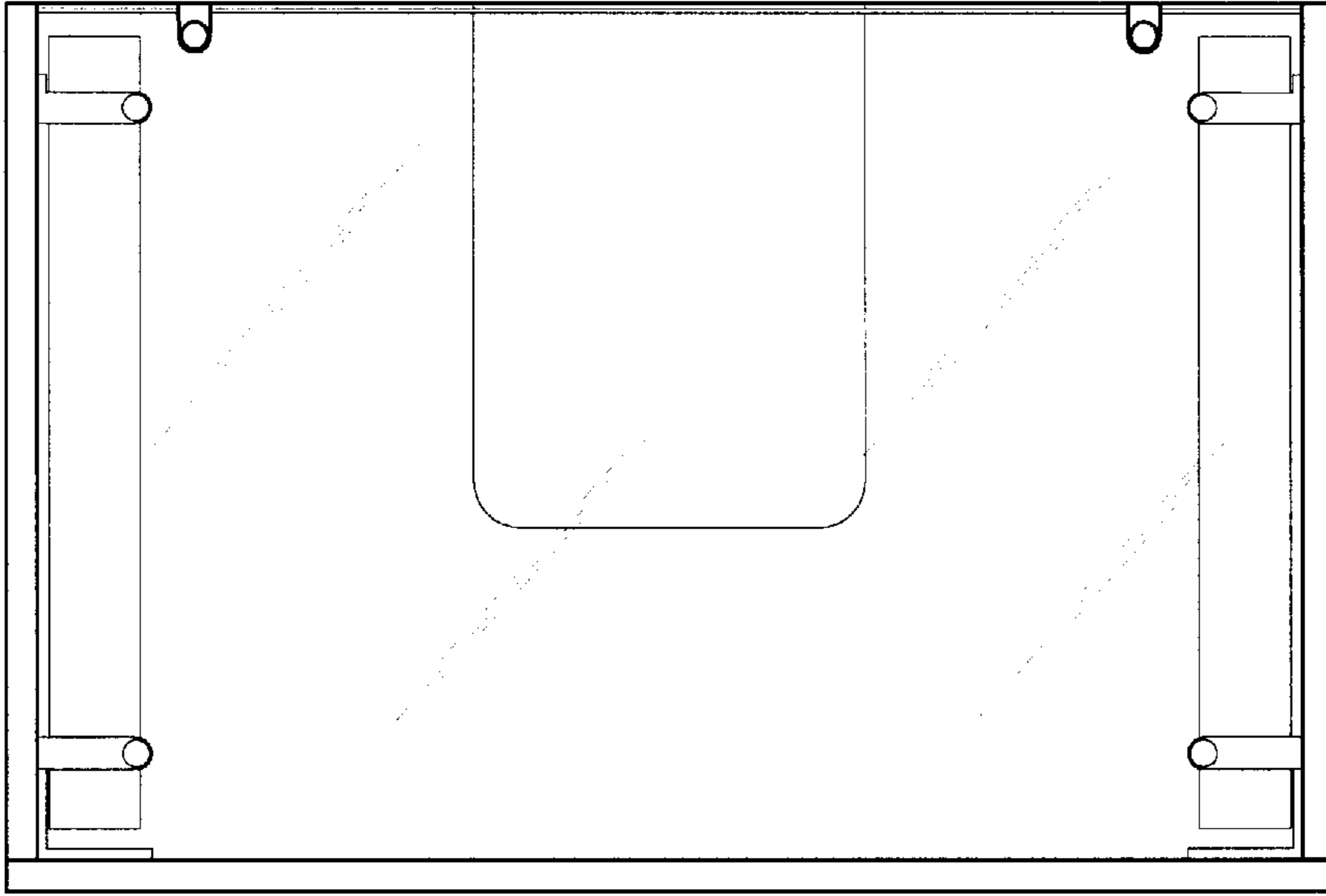
*FIG. 3*



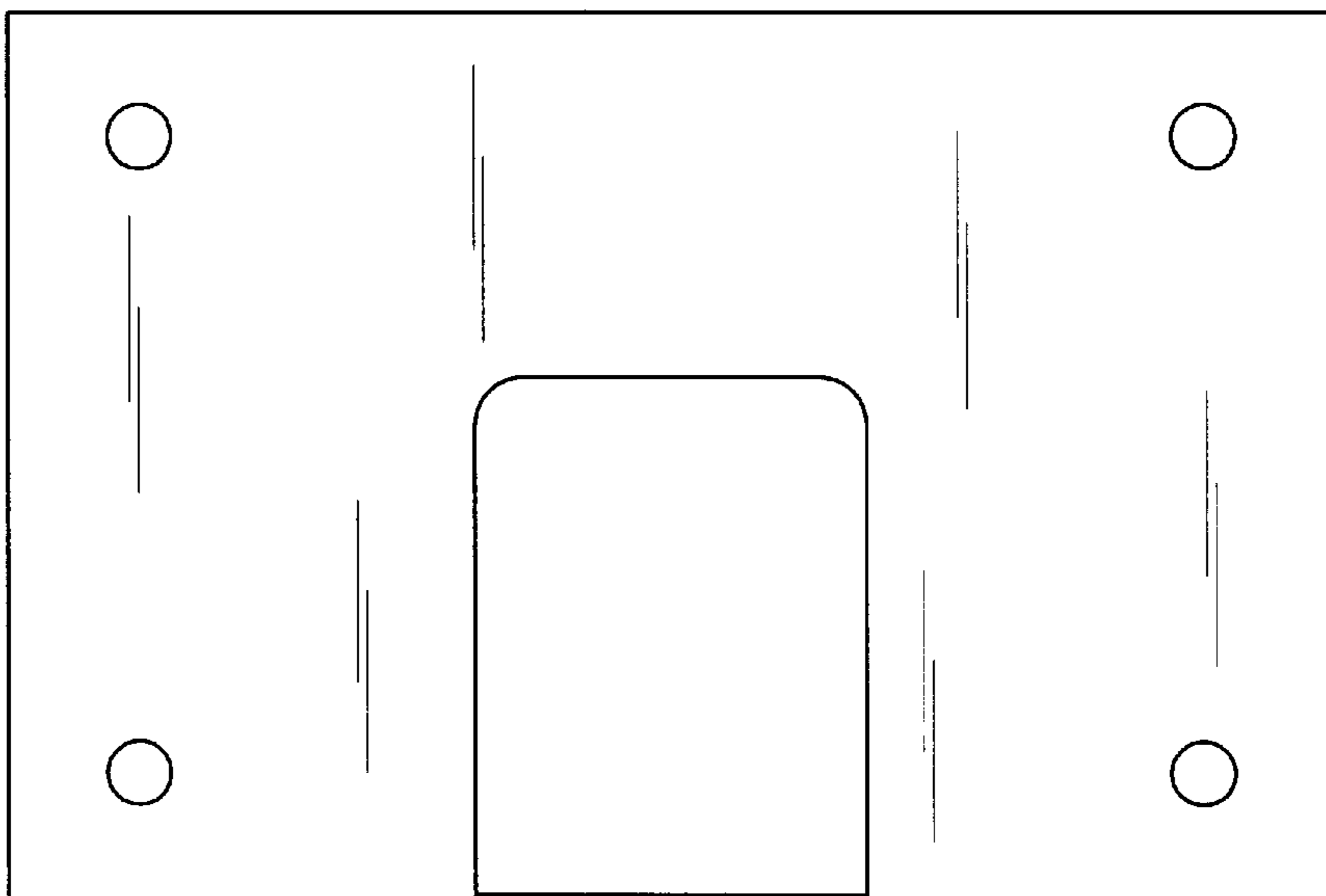
*FIG. 4*



*FIG. 5*



*FIG. 6*



*FIG. 7*