



US00D486010S

(12) **United States Design Patent**
Scola

(10) **Patent No.:** **US D486,010 S**

(45) **Date of Patent:** **** Feb. 3, 2004**

(54) **PILL BOTTLE ORGANIZER**

(76) **Inventor:** **Vito A. Scola**, 137 Apple Gate Rd.,
Cranston, RI (US) 02920

(**) **Term:** **14 Years**

(21) **Appl. No.:** **29/174,093**

(22) **Filed:** **Jan. 10, 2003**

(51) **LOC (7) Cl.** **06-04**

(52) **U.S. Cl.** **D6/468**

(58) **Field of Search** D6/408, 467, 468,
D6/469, 473, 474, 475, 476, 477-479, 511;
D9/341, 344, 345, 348; 108/59, 91, 93,
106, 147.12, 147.13; 211/85.4, 49.1, 74,
183, 187, 188, 203; 206/562-564; 220/513-516

(56) **References Cited**

U.S. PATENT DOCUMENTS

1,848,214 A * 3/1932 Brown 211/128.1
D165,565 S * 12/1951 White D28/86

D260,208 S * 8/1981 Nutting D6/468
D349,204 S * 8/1994 Lefebvre D6/476
D394,173 S * 5/1998 Habib D6/474

* cited by examiner

Primary Examiner—Cathron C. Brooks

(74) *Attorney, Agent, or Firm*—Salter & Michaelson

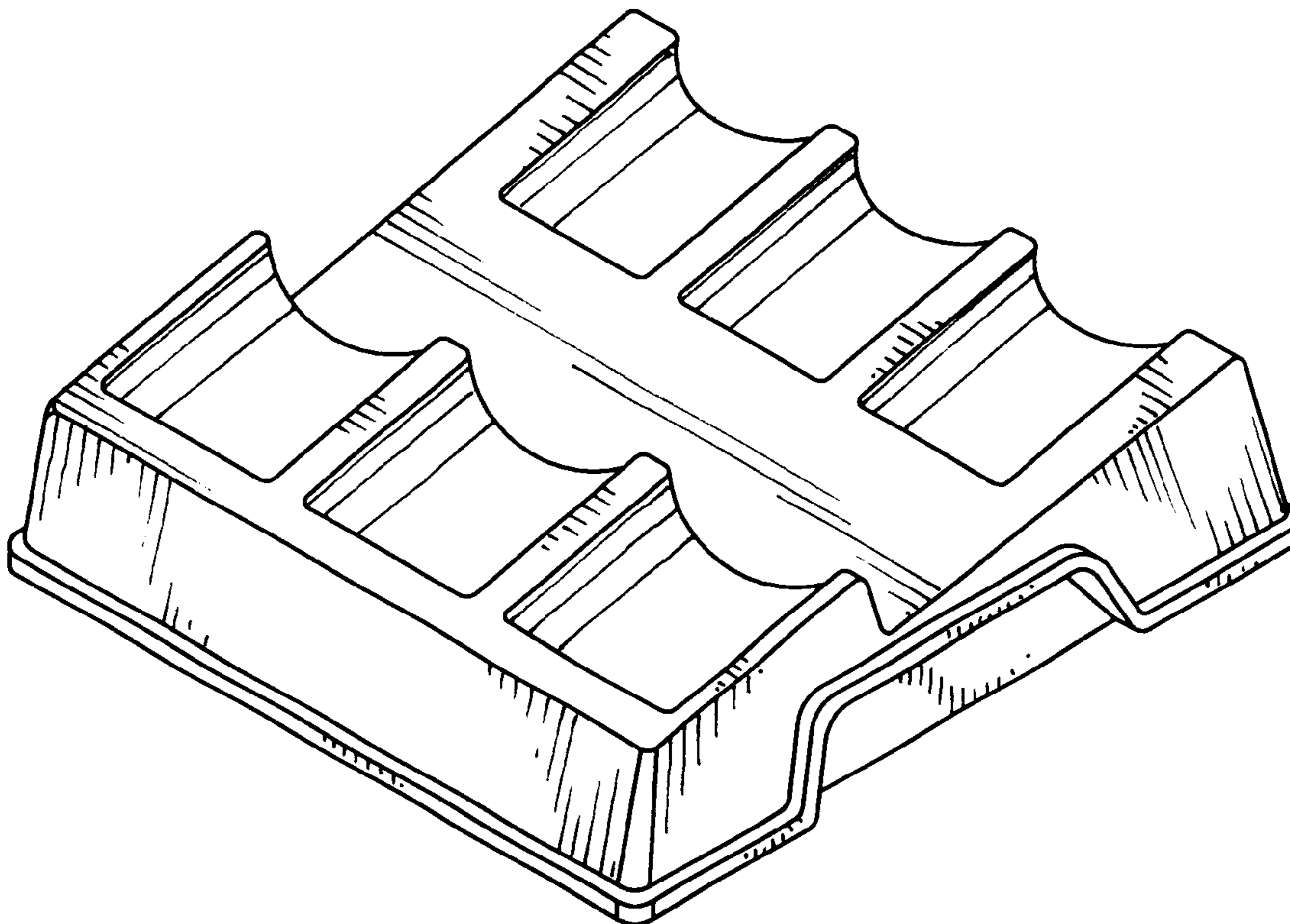
(57) **CLAIM**

The ornamental design for a pill bottle organizer, as shown.

DESCRIPTION

FIG. 1 is a perspective view of a pill bottle organizer showing my new design;
FIG. 2 is a top plan view thereof;
FIG. 3 is a bottom plan view thereof;
FIG. 4 is a left side view thereof;
FIG. 5 is a right side view thereof;
FIG. 6 is a rear end view thereof; and,
FIG. 7 is a front end view thereof.

1 Claim, 3 Drawing Sheets



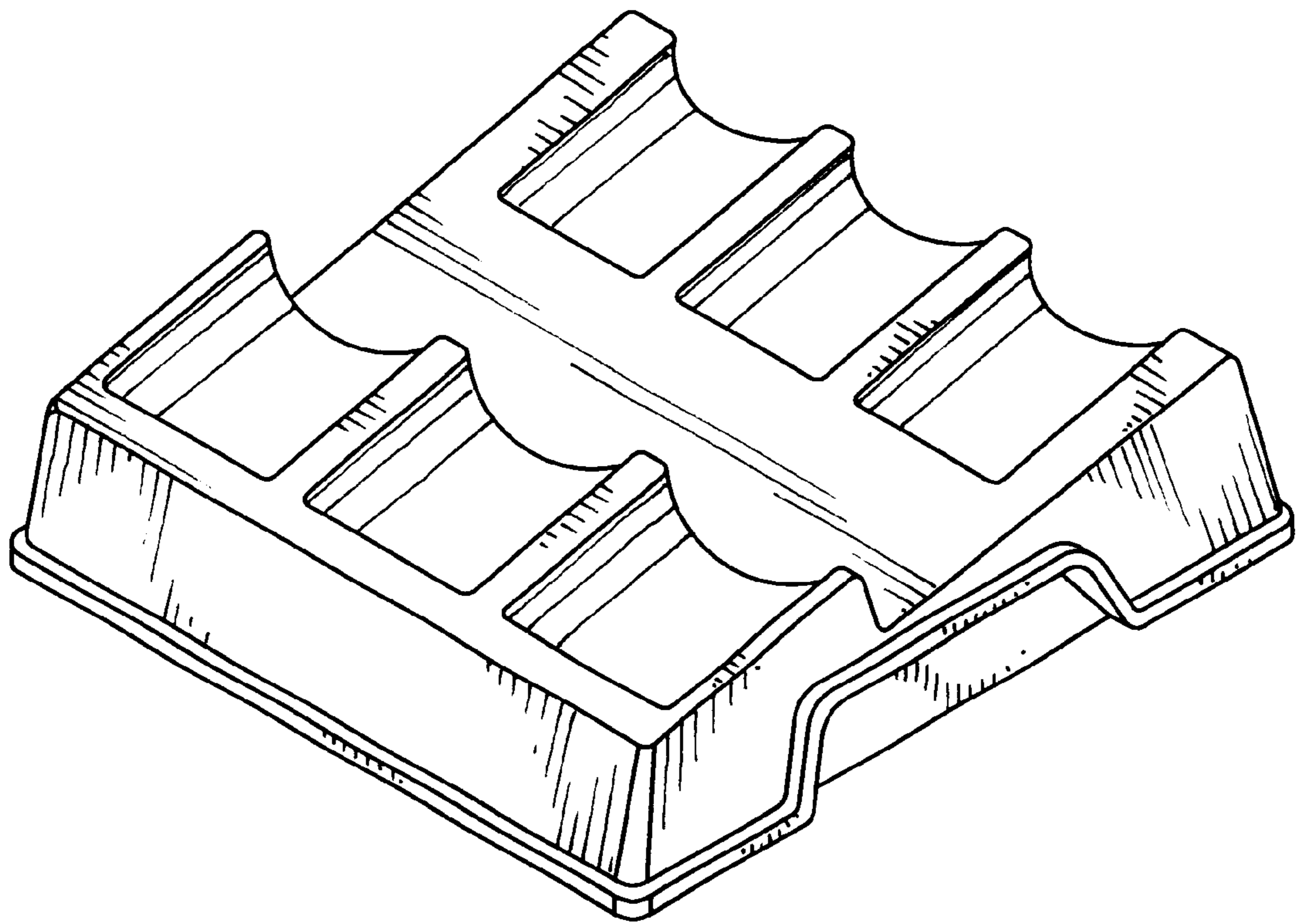


FIG. 1

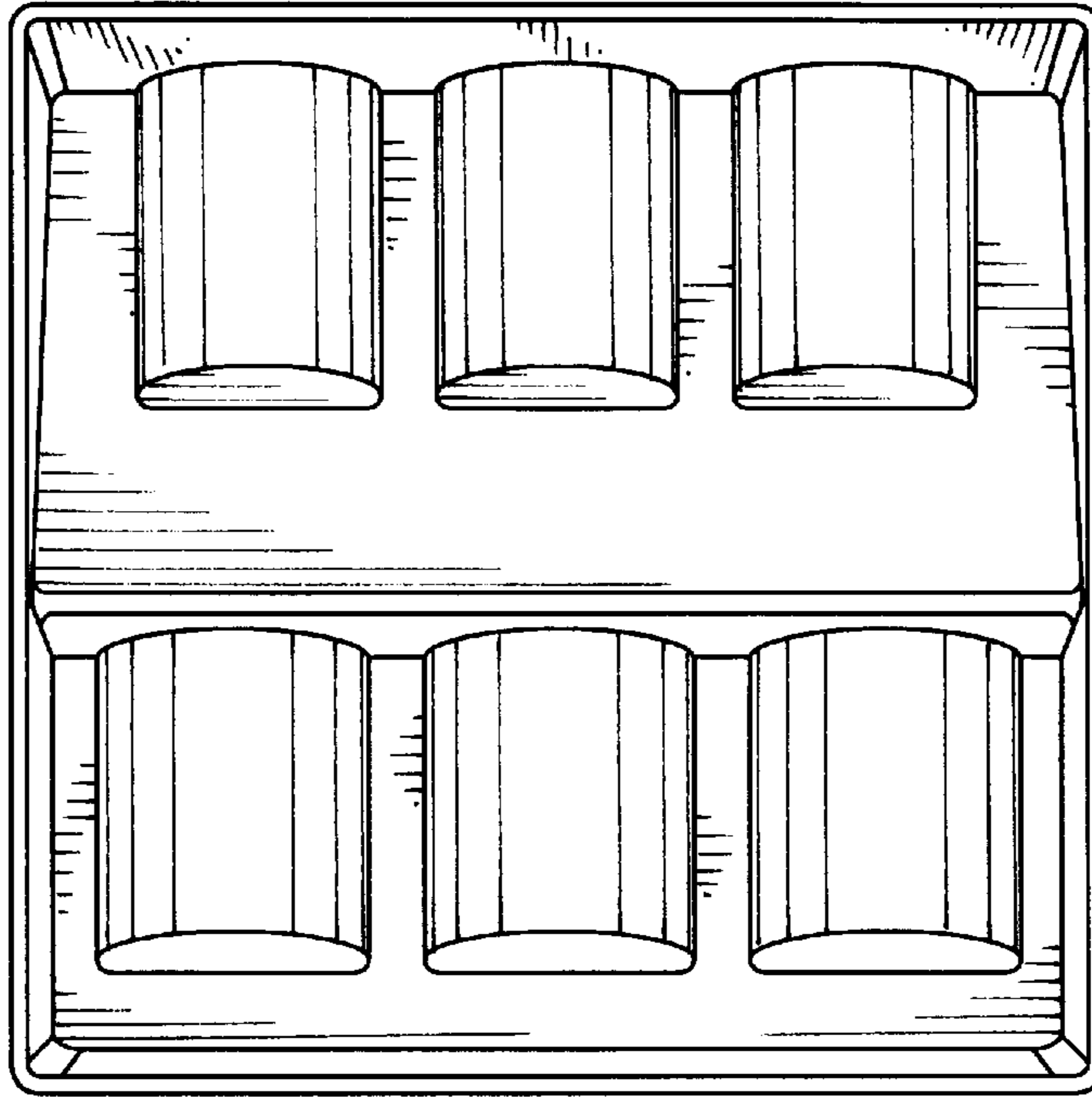


FIG. 2

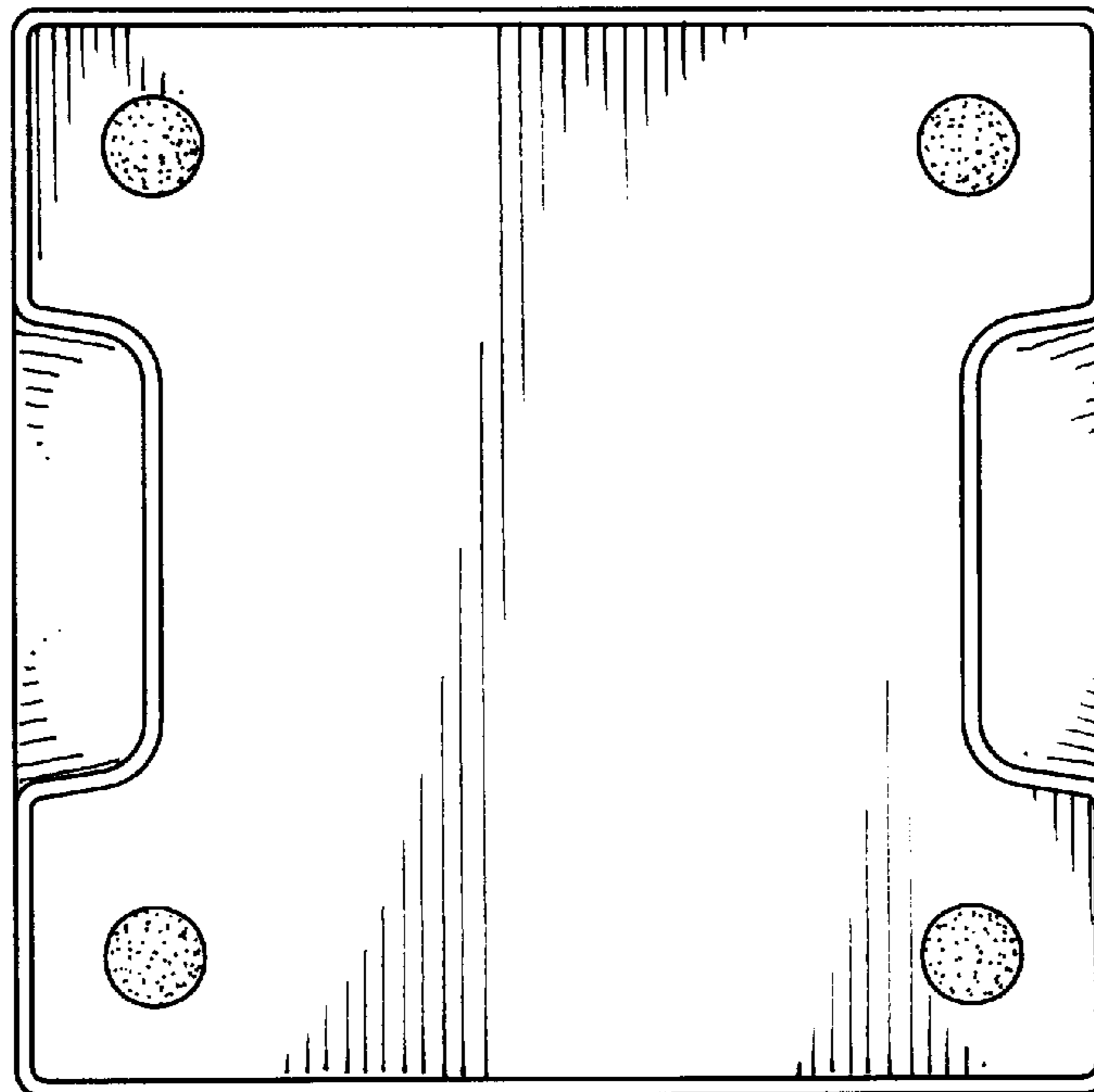


FIG. 3

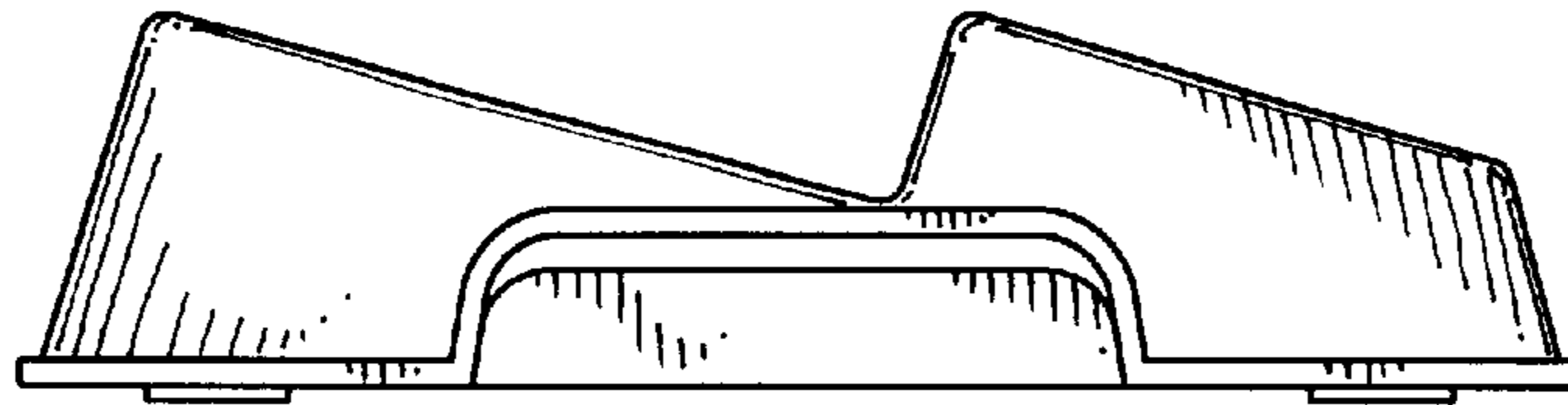


FIG. 4

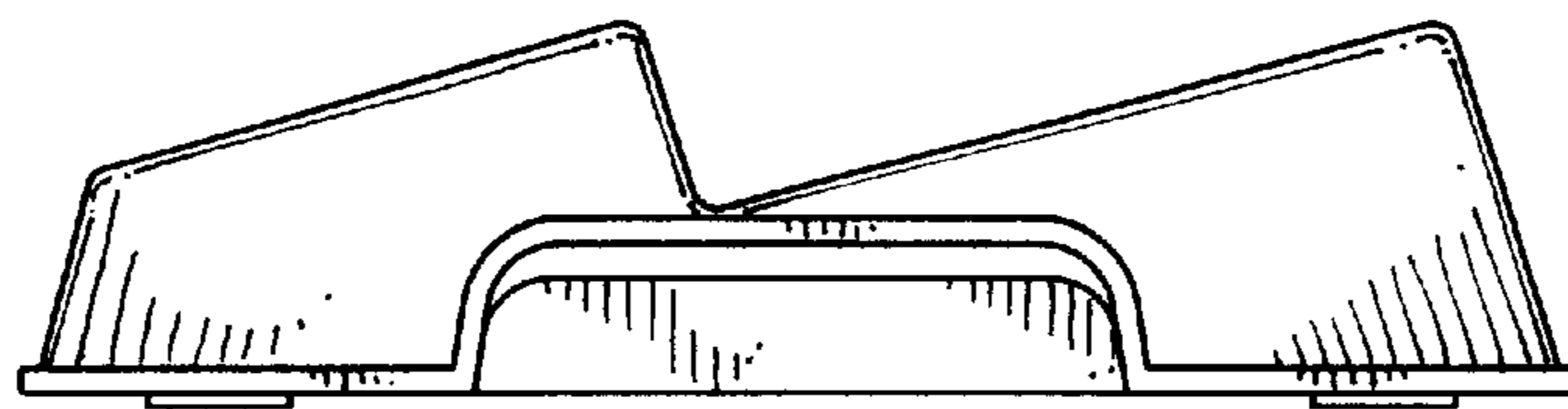


FIG. 5

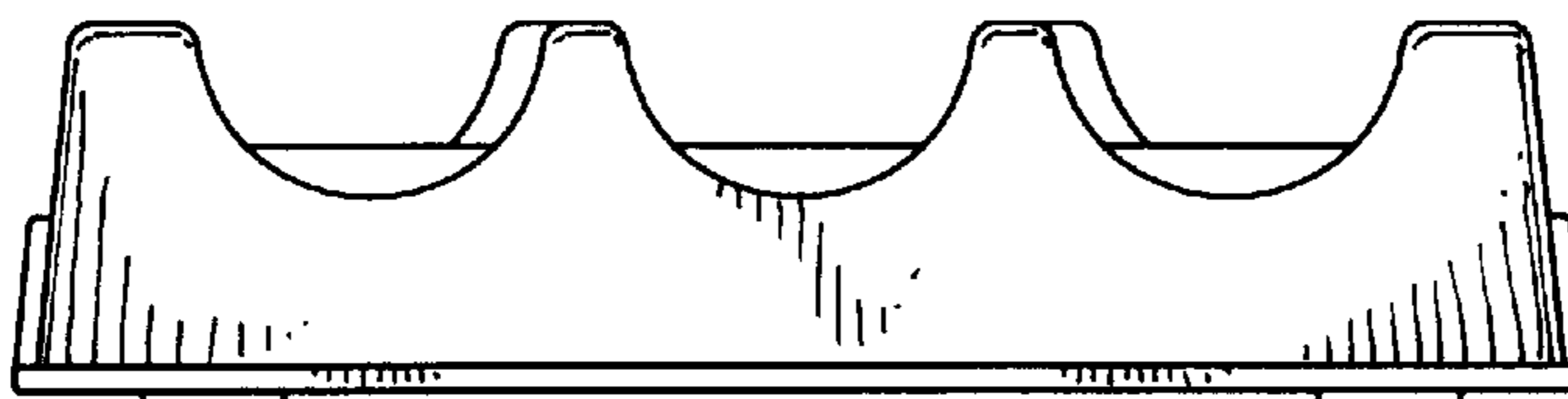


FIG. 6

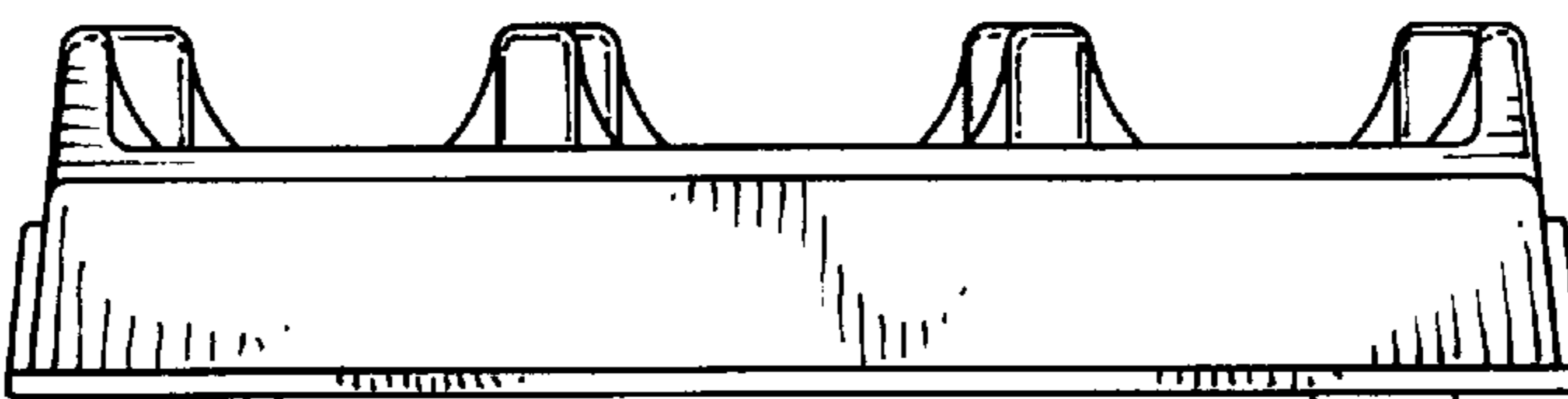


FIG. 7