



US00D486009S

(12) **United States Design Patent**
Cooper et al.

(10) **Patent No.:** **US D486,009 S**

(45) **Date of Patent:** **** Feb. 3, 2004**

(54) **MULTI-POSITIONAL STAND**

(75) Inventors: **Sheila O’Connell Cooper**, Addison, IL (US); **Nancy Fino**, Addison, IL (US); **Andrew Wodziak**, Bedford Park, IL (US)

(73) Assignee: **Columbia Insurance Company**, Omaha, NE (US)

(**) Term: **14 Years**

(21) Appl. No.: **29/173,869**

(22) Filed: **Jan. 8, 2003**

(51) **LOC (7) Cl.** **06-04**

(52) **U.S. Cl.** **D6/465; D7/388; D7/600.1**

(58) **Field of Search** D6/409–415, 449, D6/454–458, 461–469, 473, 474, 475, 509–511; D7/600.1, 388, 409; 108/103, 105, 139; 211/41.2, 41.7, 42, 51, 70, 85.1, 85.23, 88.3, 88.01, 126.15, 126.9, 131.1, 133.2, 163, 181.1, 201, 205

(56) **References Cited**

U.S. PATENT DOCUMENTS

3,789,996 A	*	2/1974	Stroh	211/119
D282,797 S	*	3/1986	Dixon	D6/465
D364,288 S	*	11/1995	Kramer et al.	D6/465
D452,394 S	*	12/2001	Walters-Dowding et al.	D6/464
D467,097 S	*	12/2002	Poynter et al.	D6/465

OTHER PUBLICATIONS

Making A Home, Housewares Collection from Betty Crocker, 2002, p. 50.
Southern Living at Home, catalog, Spring 2002, pp. 14–15.
Princess House catalog, Fall/Winter 2002, excerpts (6 pages).

Crate and Barrell catalog, undated, p. 10.

Pages from crateandbarrel.com (undated) (2 pages).

* cited by examiner

Primary Examiner—Cathron C. Brooks

(74) *Attorney, Agent, or Firm*—Neal, Gerber & Eisenberg, LLP

(57) **CLAIM**

The ornamental design for a multi-positional stand, as shown.

DESCRIPTION

FIG. 1 is a front elevational view of a multi-positional stand embodying the inventive aspects of the present invention;

FIG. 2 is a rear elevational view of the multi-positional stand shown in FIG. 1;

FIG. 3 is a top plan view of the multi-positional stand shown in FIG. 1;

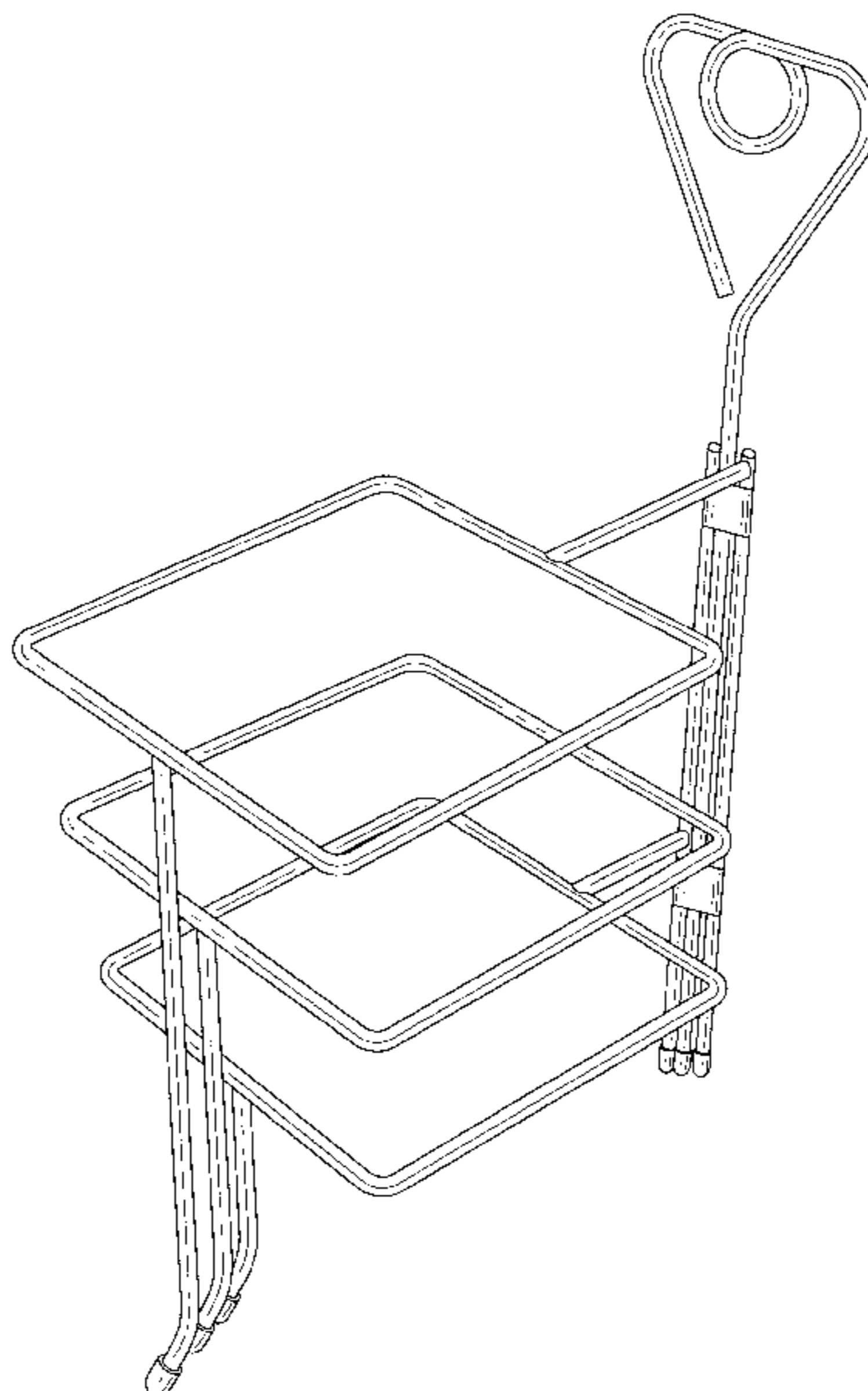
FIG. 4 is a bottom plan view of the multi-positional stand shown in FIG. 1;

FIG. 5 is a left side view of the multi-positional stand shown in FIG. 1;

FIG. 6 is a right side view of the multi-positional stand shown in FIG. 1; and,

FIG. 7 is a perspective view of the multi-positional stand shown in FIG. 1.

1 Claim, 3 Drawing Sheets



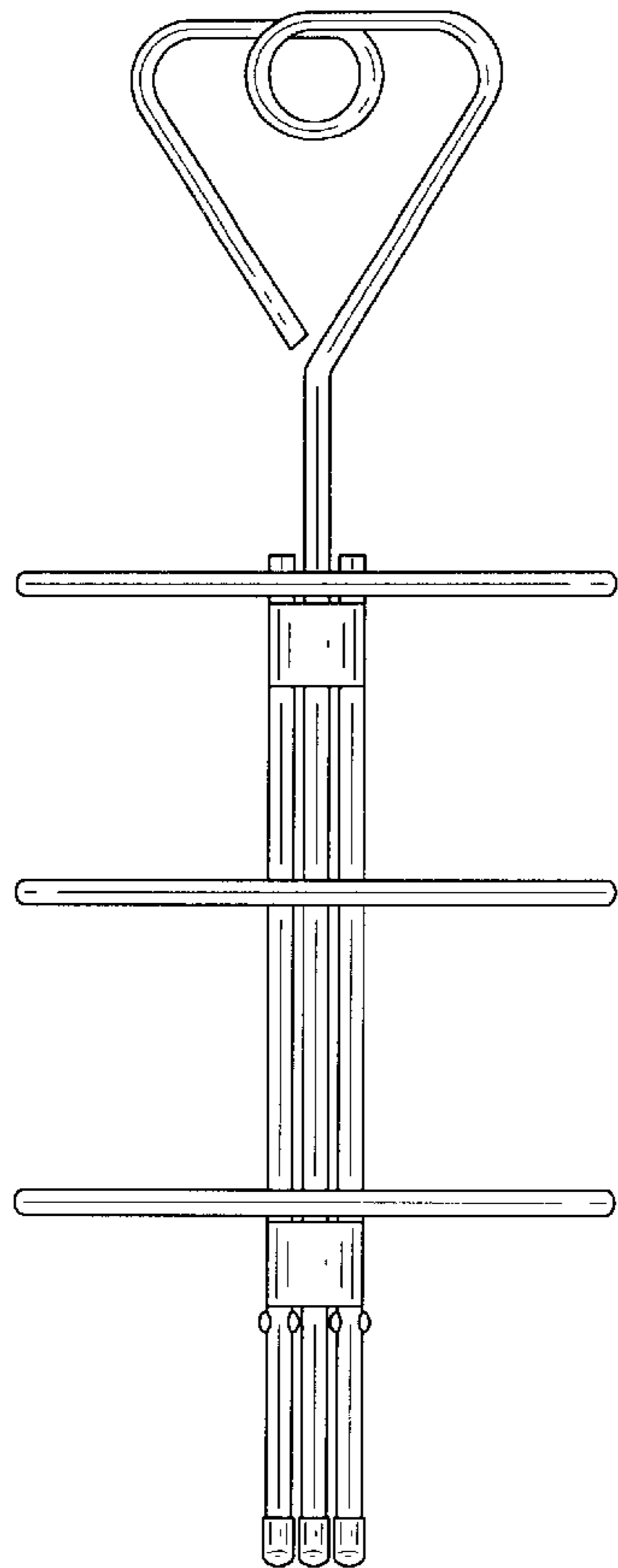


FIG. 1

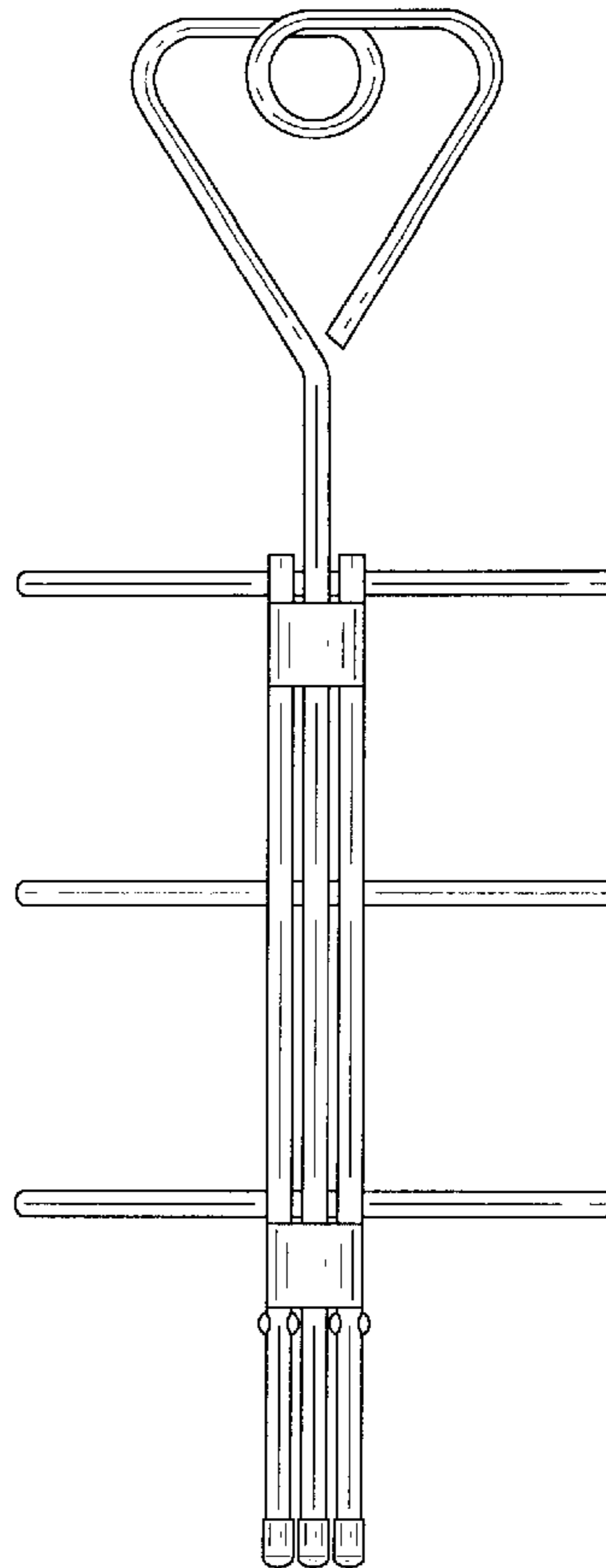


FIG. 2

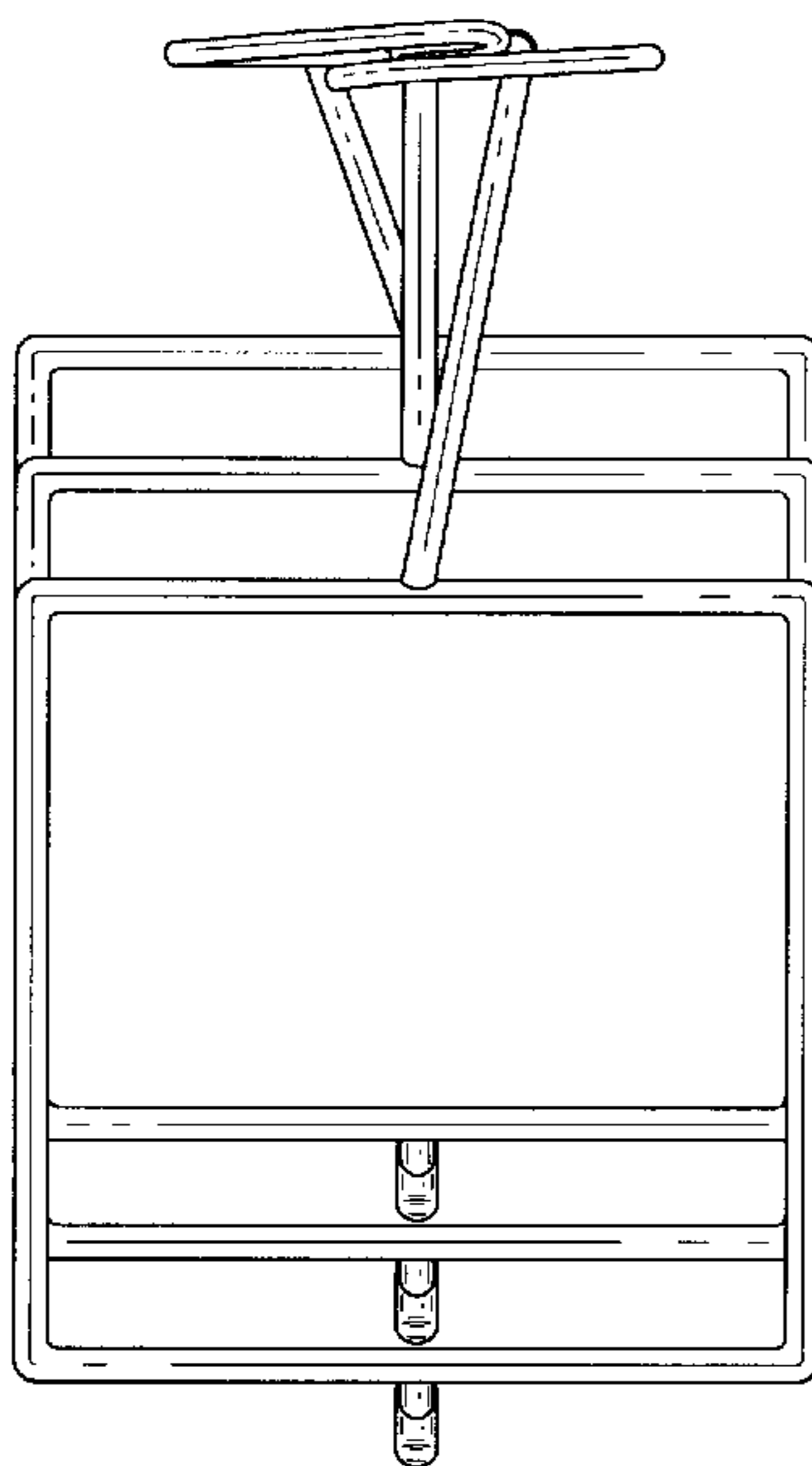


FIG. 3

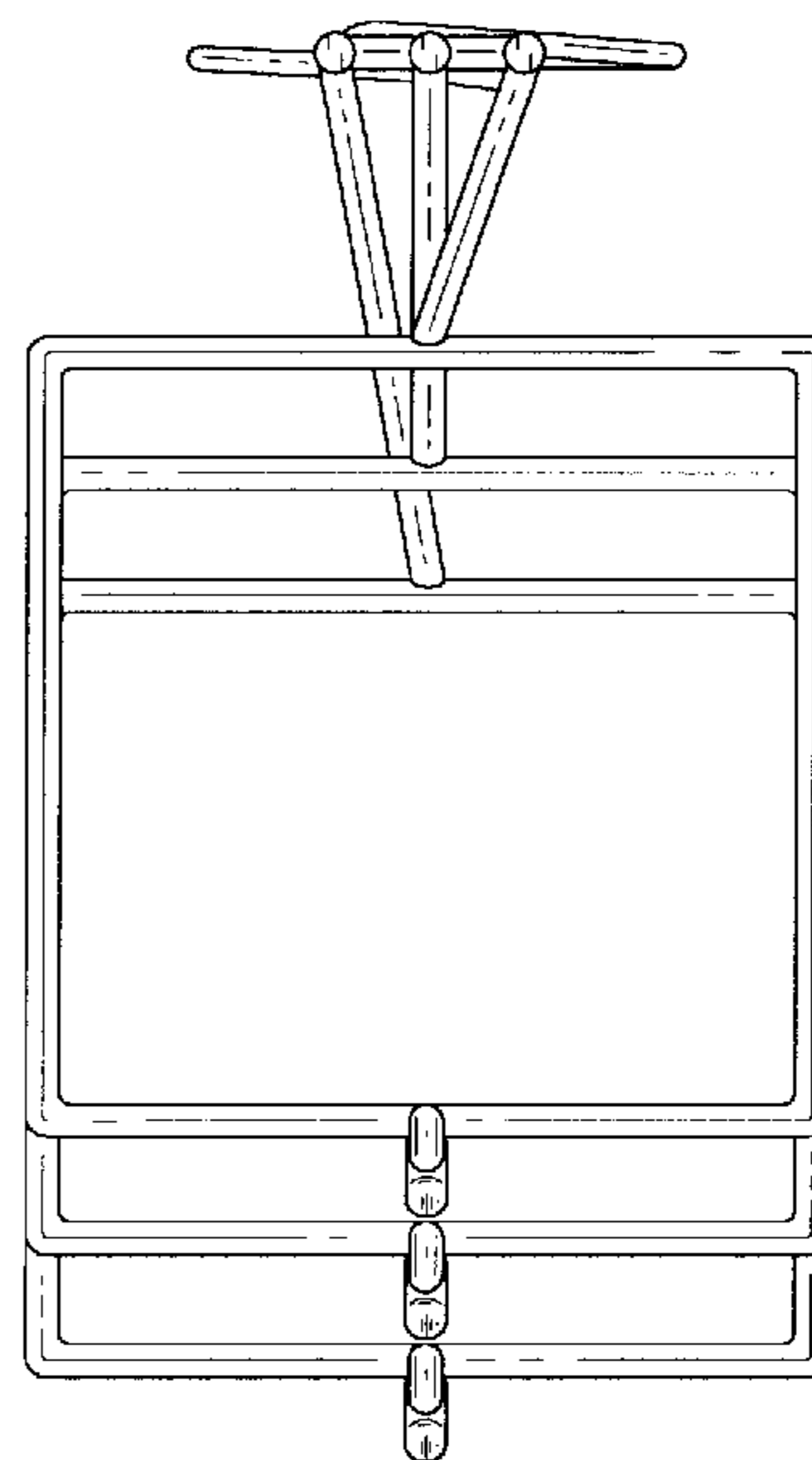


FIG. 4

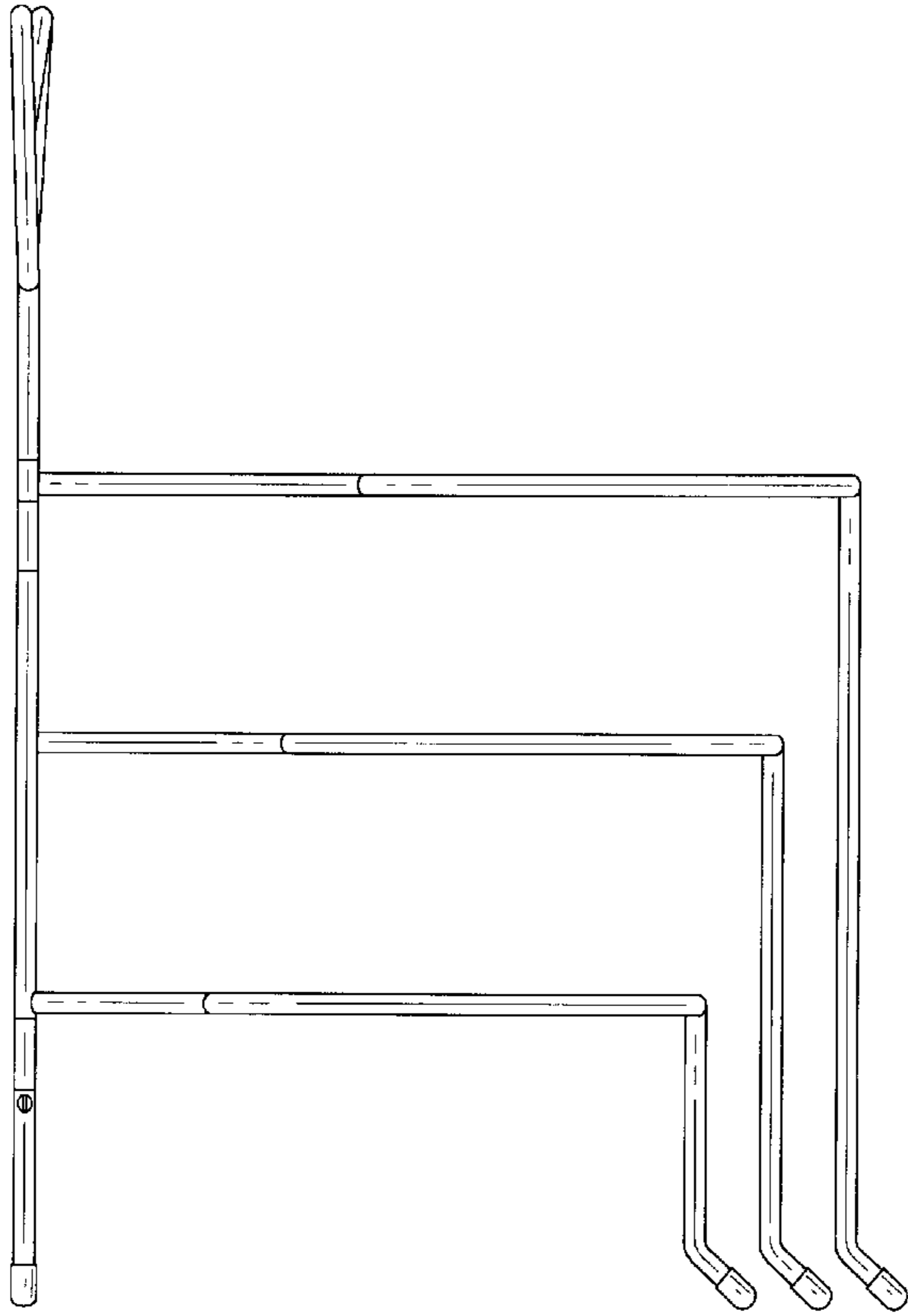


FIG. 5

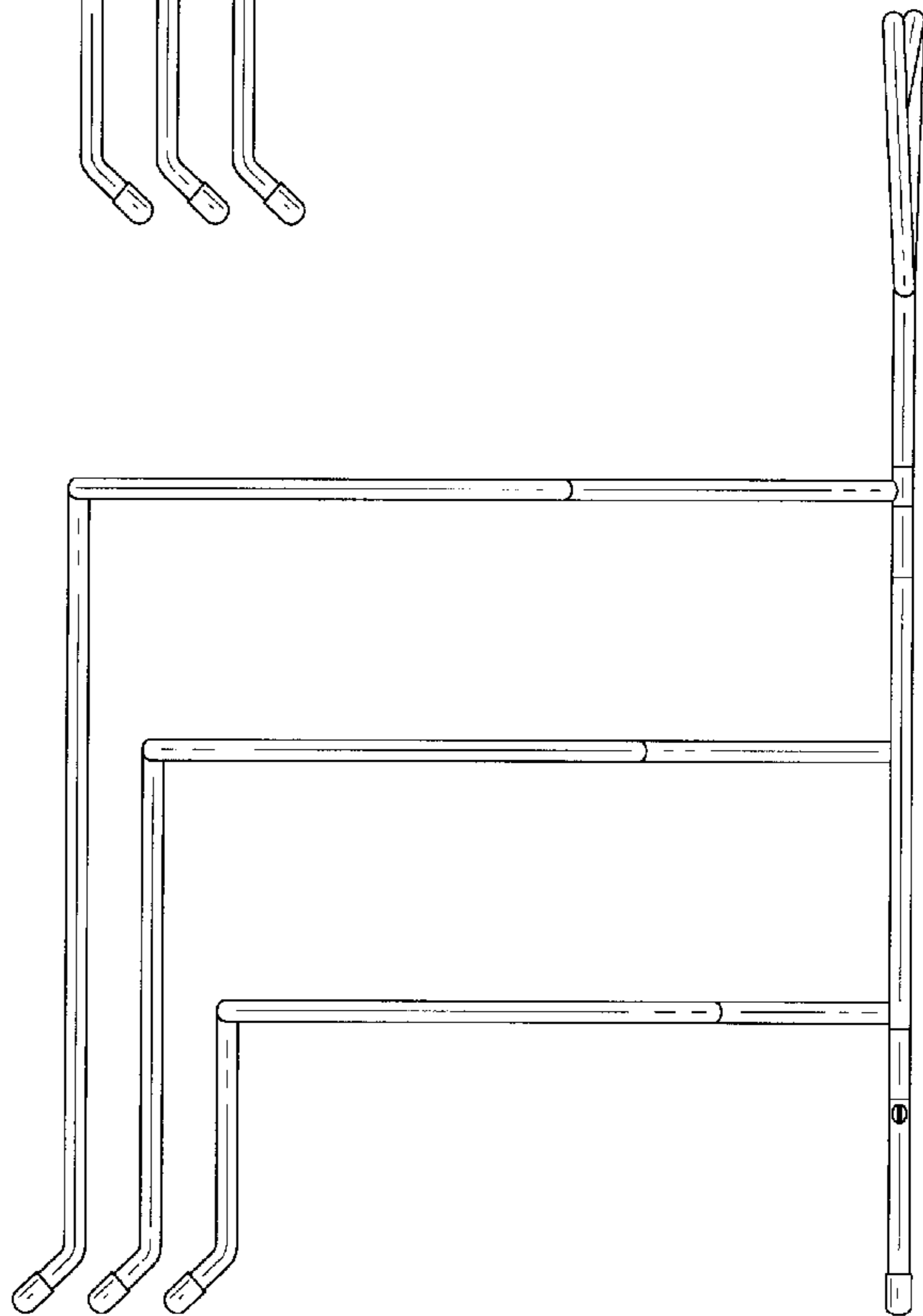


FIG. 6

