



US00D486008S

(12) **United States Design Patent**
Pospisil et al.

(10) **Patent No.:** **US D486,008 S**

(45) **Date of Patent:** **** Feb. 3, 2004**

(54) **RETAIL PRODUCT DISPLAY**

(75) Inventors: **Gregg R. Pospisil**, Oak Brook, IL (US); **Jason Frey**, Elk Grove, IL (US)

(73) Assignee: **Samaritan Display Group, Inc.**, Schaumburg, IL (US)

(**) Term: **14 Years**

(21) Appl. No.: **29/175,005**

(22) Filed: **Jan. 27, 2003**

(51) **LOC (7) Cl.** **06-04**

(52) **U.S. Cl.** **D6/411**

(58) **Field of Search** D6/409-415, 449, D6/454-458, 461-469, 473, 509-511; 108/103, 105, 139; 211/41.2, 41.7, 42, 51, 70, 85.1, 85.2, 88.3, 88.01, 126.15, 126.9, 131.1, 133.2, 163, 181.1, 201, 205

(56) **References Cited**

U.S. PATENT DOCUMENTS

D130,632 S * 12/1941 Millberg D6/411

D131,907 S * 4/1942 Sarvis D6/462

D308,608 S * 6/1990 Arnold D6/411

D474,350 S * 5/2003 Sardis D6/411

* cited by examiner

Primary Examiner—Cathron C. Brooks

(74) *Attorney, Agent, or Firm*—Bell Boyd & Lloyd LLC

(57) **CLAIM**

The ornamental design for a retail product display, as shown and described.

DESCRIPTION

FIG. 1 illustrates a perspective view of an embodiment of the present invention.

FIG. 2 illustrates a front view of an embodiment of the present invention.

FIG. 3 illustrates a plan view of an embodiment of the present invention.

FIG. 4 illustrates a left side view of an embodiment of the present invention; and,

FIG. 5 illustrates a right side view of an embodiment of the present invention.

1 Claim, 3 Drawing Sheets

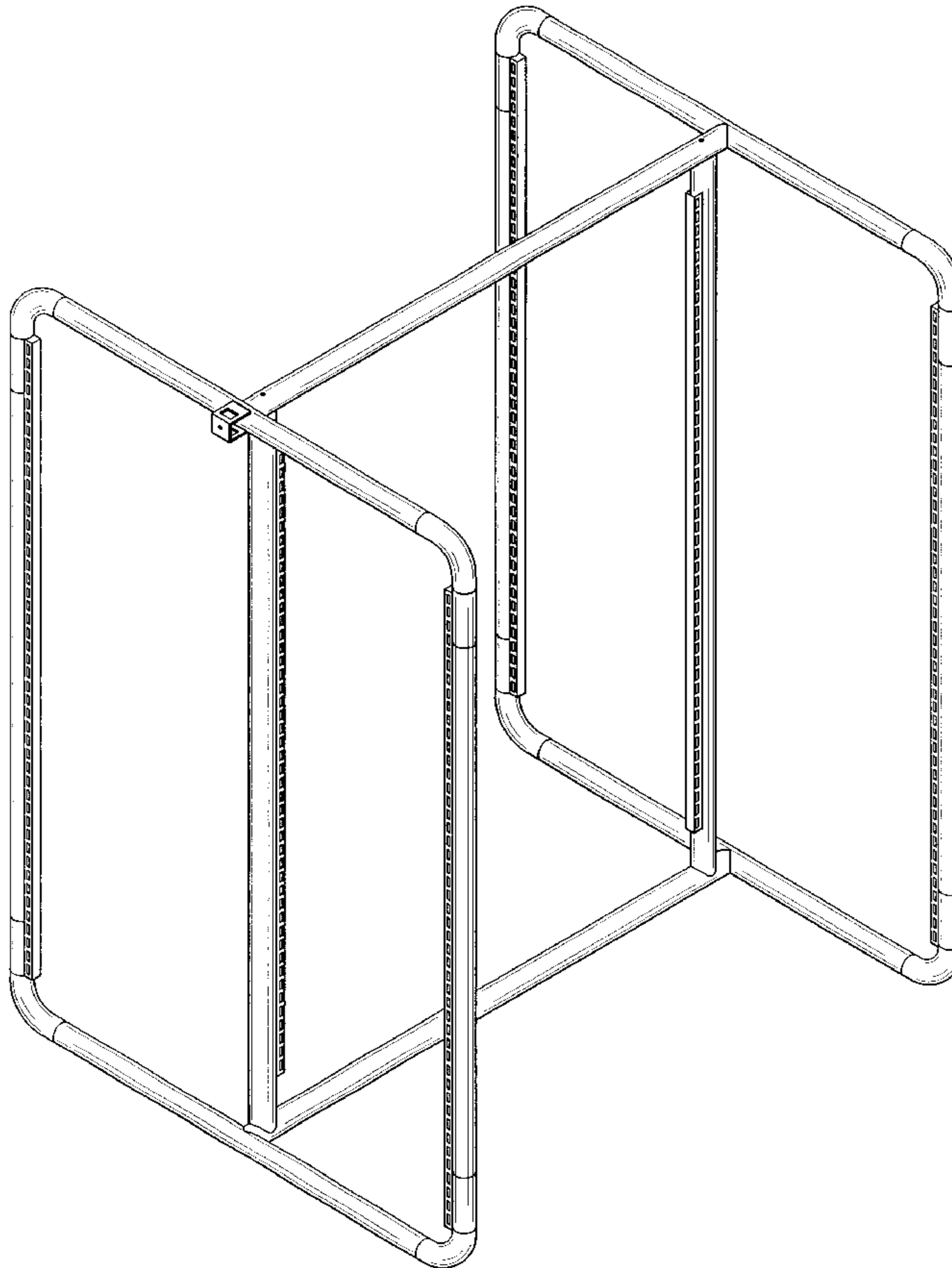


FIG. 1

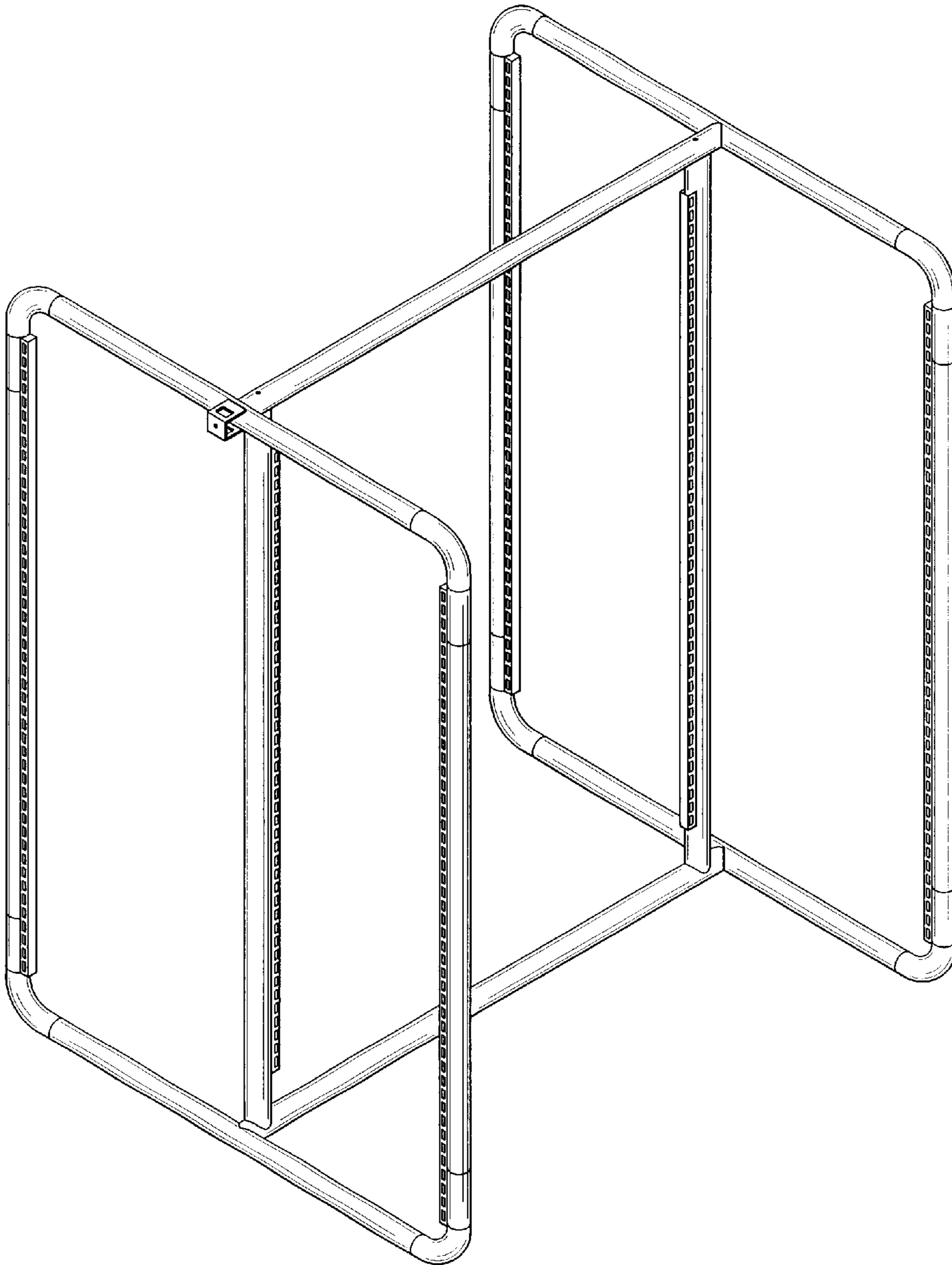


FIG. 2

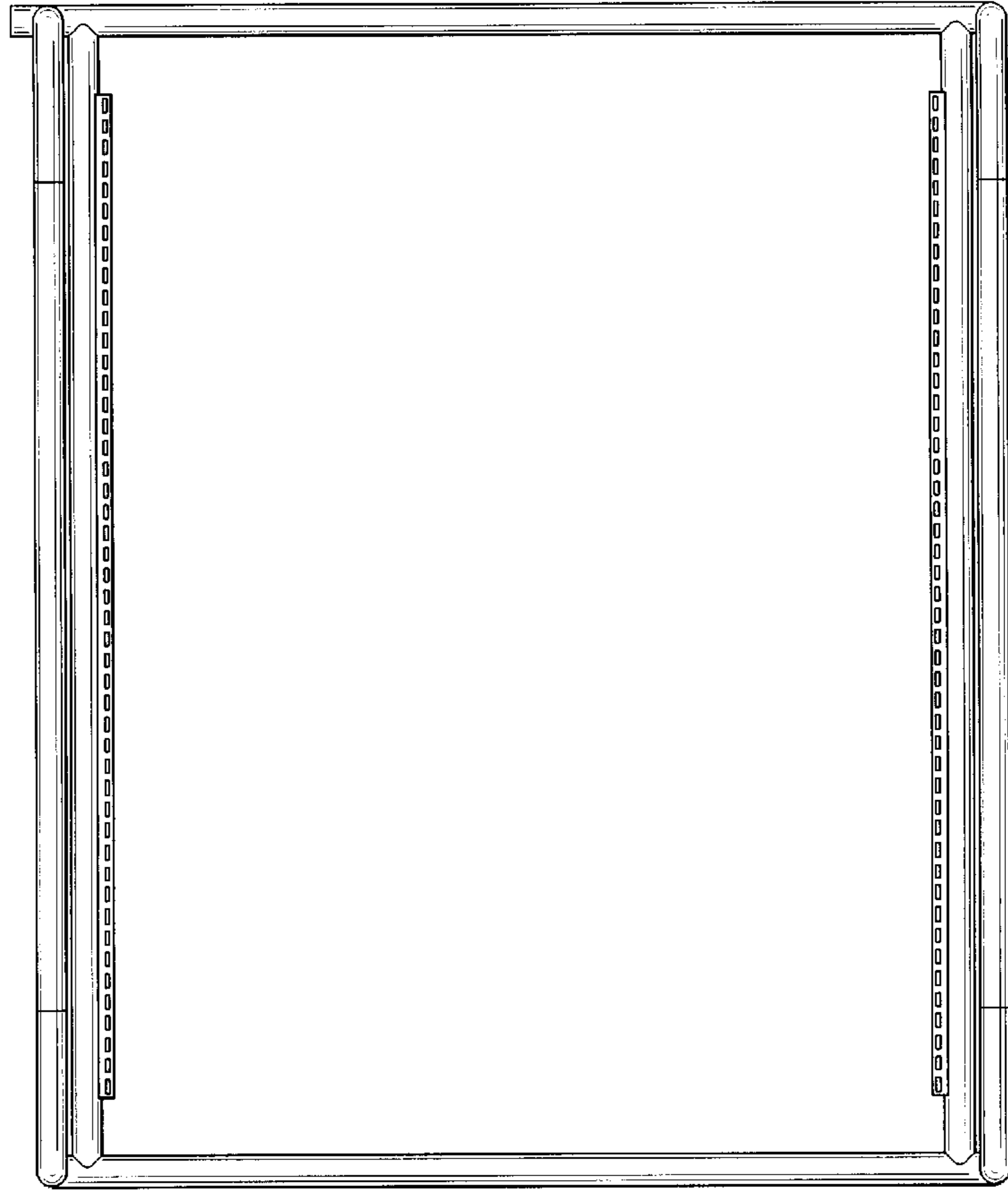


FIG. 3

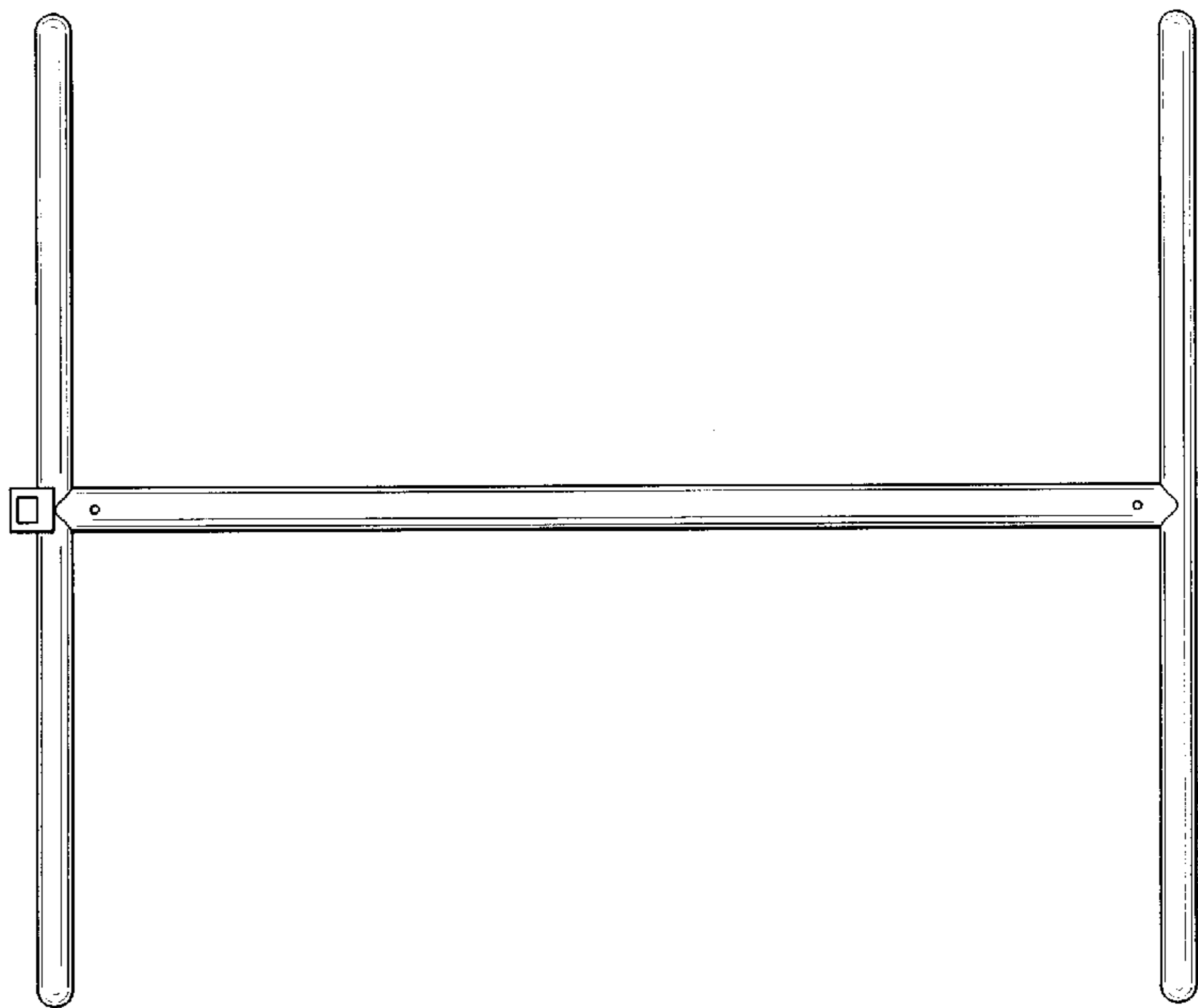


FIG. 4

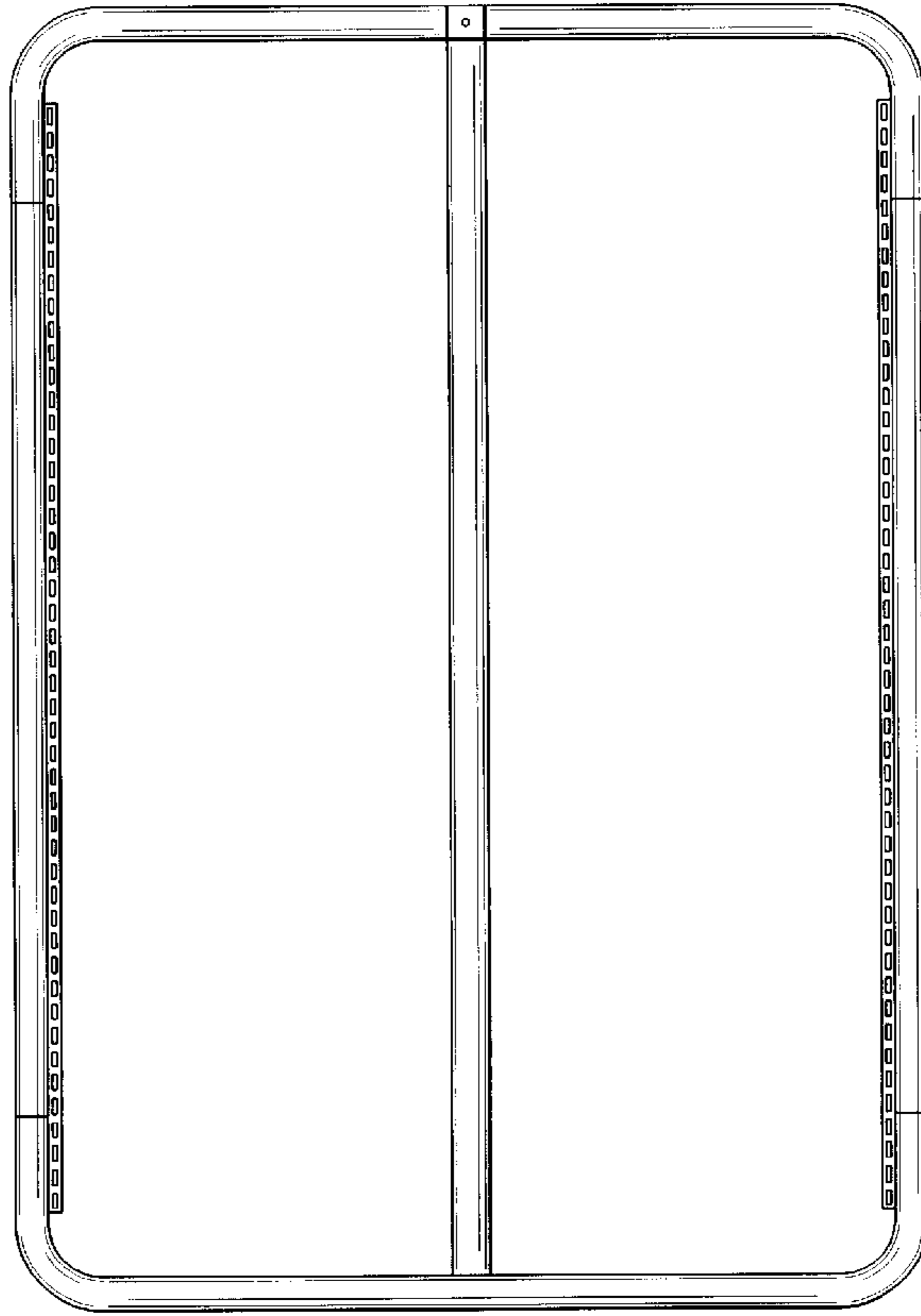


FIG. 5

