



US00D486007S

(12) **United States Design Patent**  
**Zaidman**

(10) **Patent No.:** **US D486,007 S**

(45) **Date of Patent:** **\*\* Feb. 3, 2004**

(54) **BED**

(75) **Inventor:** **S Paul Zaidman, Winnipeg (CA)**

(73) **Assignee:** **Palliser Furniture Ltd., Winnipeg (CA)**

(\*\*) **Term:** **14 Years**

(21) **Appl. No.:** **29/166,614**

(22) **Filed:** **Aug. 30, 2002**

(51) **LOC (7) Cl. .... 06-01**

(52) **U.S. Cl. .... D6/384**

(58) **Field of Search** ..... D6/382-388, 393-395,  
D6/505-508; 5/2.1, 53.1, 279.1, 280, 281,  
308

(56) **References Cited**

**U.S. PATENT DOCUMENTS**

1,297,144	A	*	3/1919	Giordano	.....	5/308
3,389,410	A	*	6/1968	Weigel	.....	5/308
D297,792	S	*	9/1988	Balutto	.....	D6/384
4,780,919	A	*	11/1988	Harrison	.....	5/308 X
D369,247	S	*	4/1996	Anderson	.....	D6/384
D403,526	S		1/1999	Zaidman		
D422,160	S		4/2000	Zaidman		
D440,439	S		4/2001	Zaidman		
D451,710	S		12/2001	Camfferman		

\* cited by examiner

*Primary Examiner*—Janice E. Seeger

(74) *Attorney, Agent, or Firm*—Clifford W. Browning;  
Woodard, Emhardt, Moriarty, McNett & Henry LLP

(57) **CLAIM**

The ornamental design for a bed, as shown and described.

**DESCRIPTION**

FIG. 1 is a front, left side perspective view of a bed embodying my design;

FIG. 2 is a front view of the bed of FIG. 1;

FIG. 3 is a rear view of the bed of FIG. 1;

FIG. 4 is a cross section view at 4—4 in FIG. 2; the door panel is made from a semi-transparent material;

FIG. 5 is a left side elevation view of the bed of FIG. 1;

FIG. 6 is a right side elevation view of the bed of FIG. 1;

FIG. 7 is a top plan view of the bed of FIG. 1;

FIG. 8 is a front, left side perspective view of an alternate embodiment of my design;

FIG. 9 is a front view of the bed of FIG. 8; the door panel is the same as the panel in the bed of FIG. 1;

FIG. 10 is a rear view of the bed of FIG. 8;

FIG. 11 is a left side elevation view of the bed of FIG. 8;

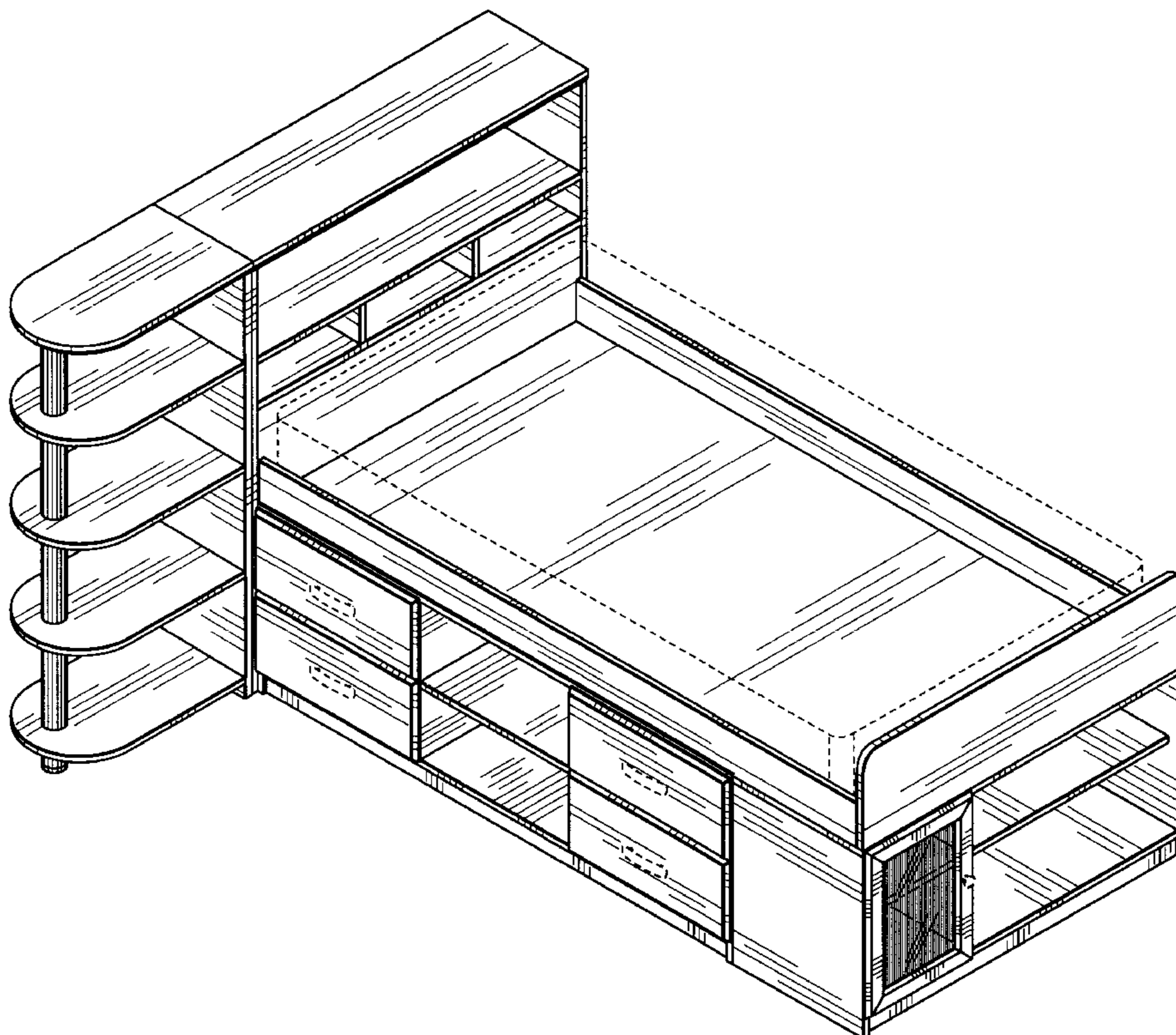
FIG. 12 is a right side elevation view of the bed of FIG. 8;

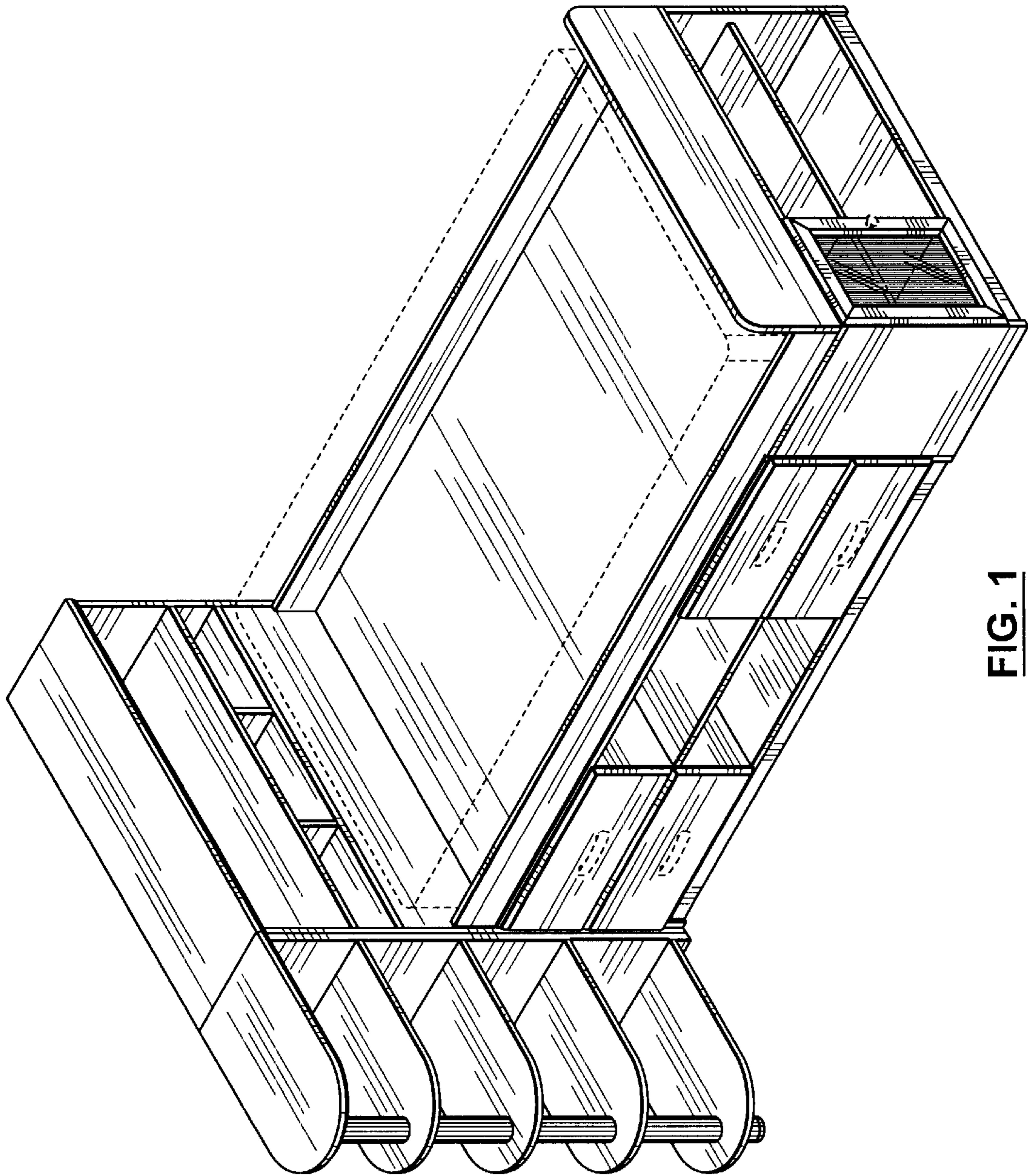
and,

FIG. 13 is a top plan view of the bed of FIG. 8.

The features shown in broken lines are not part of the claimed invention.

**1 Claim, 12 Drawing Sheets**





**FIG. 1**

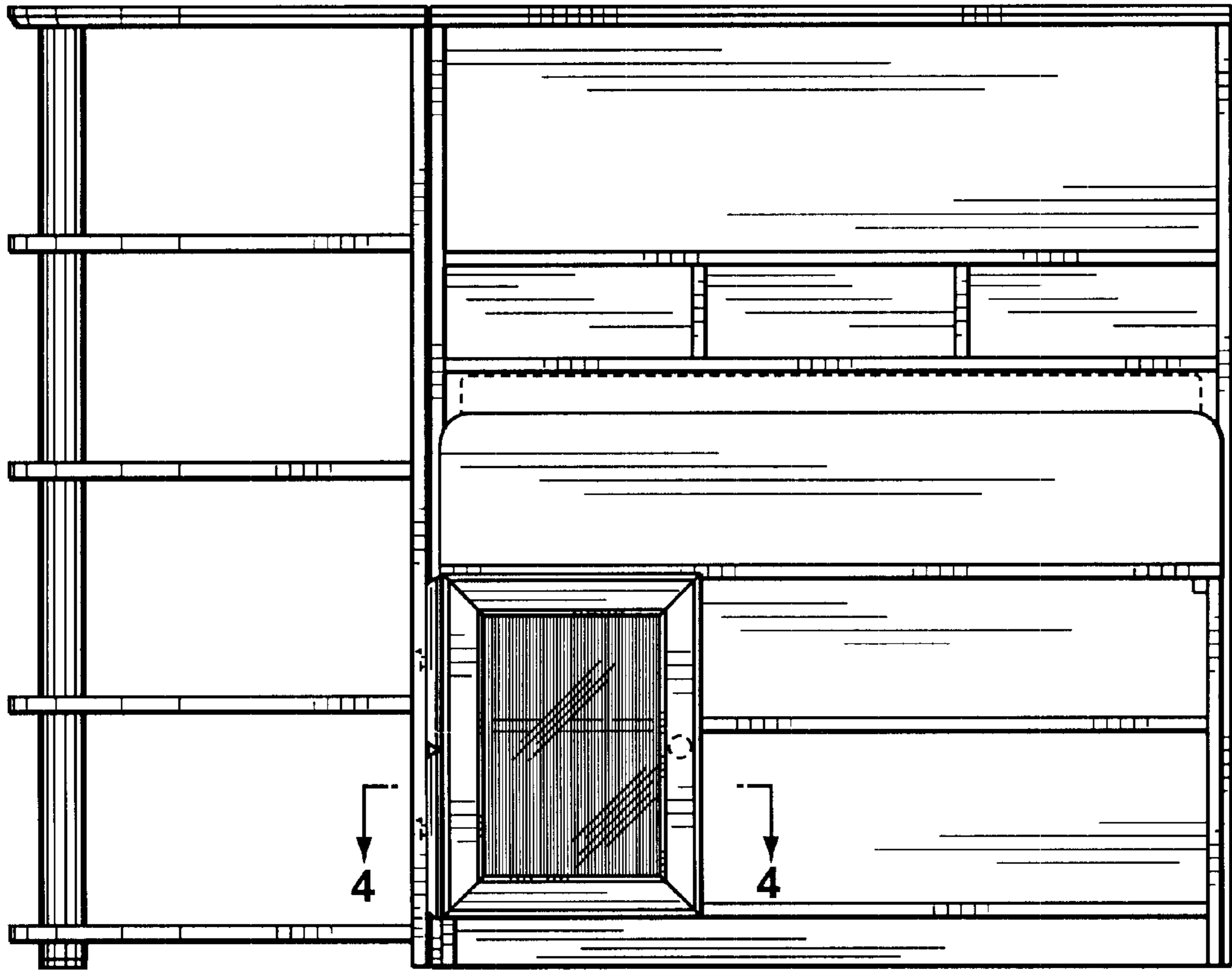


FIG. 2

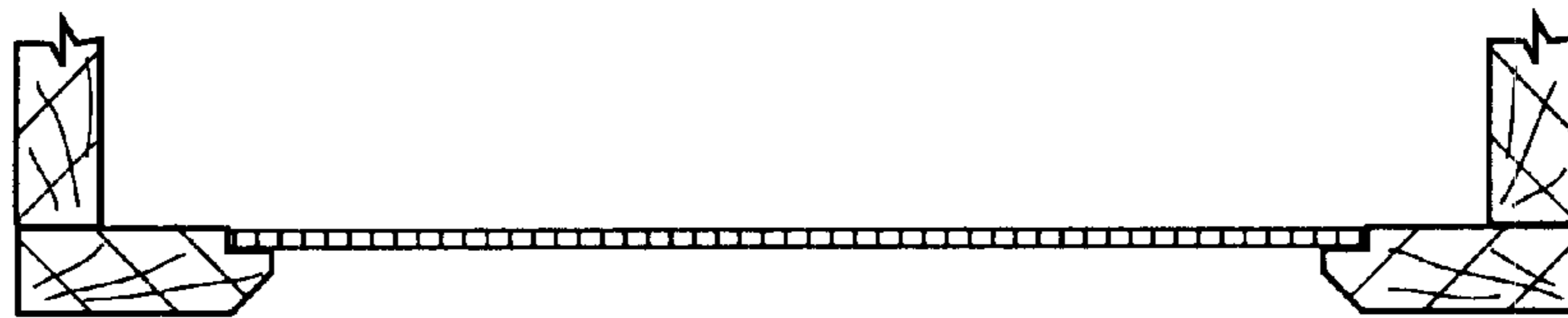
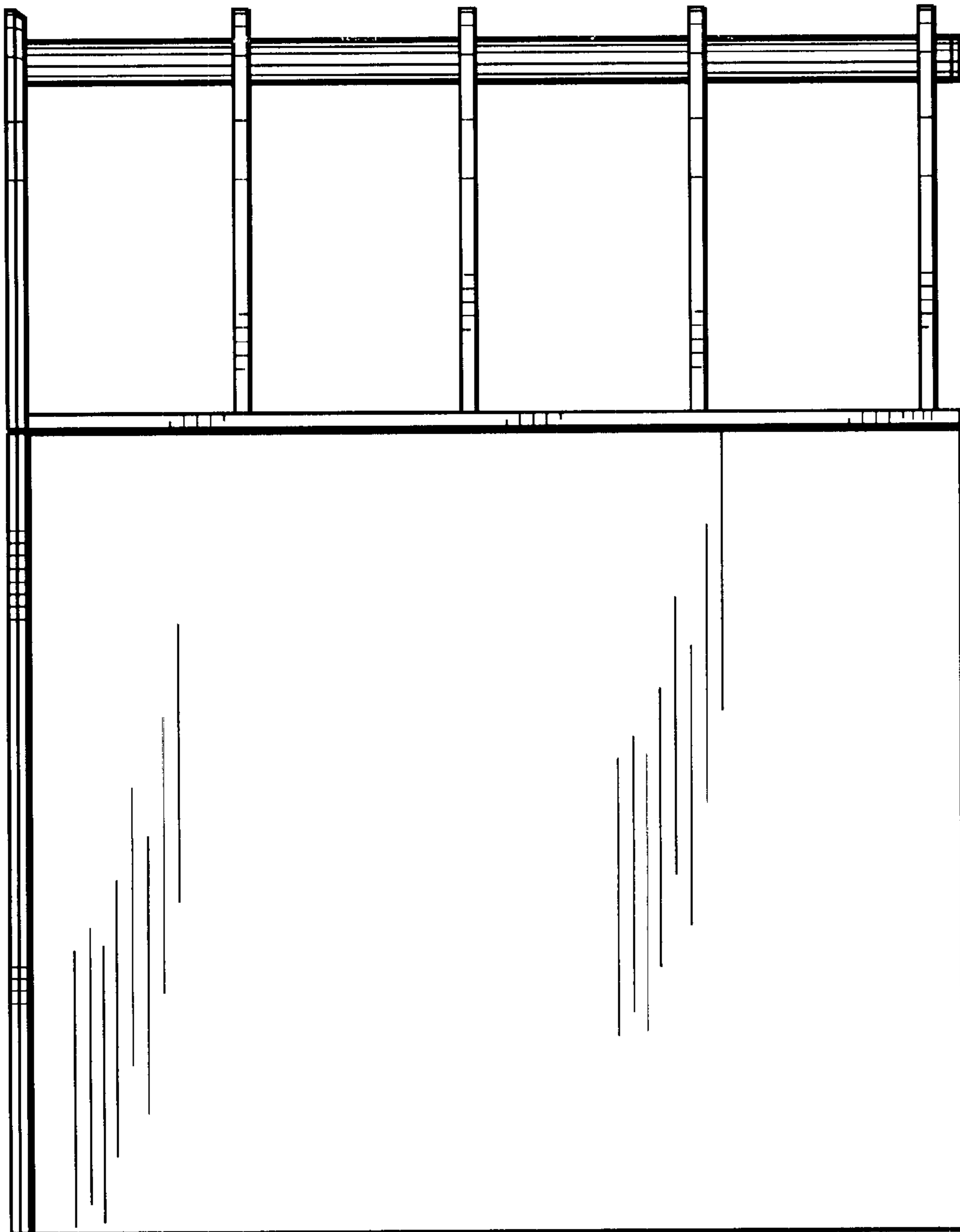


FIG. 4



**FIG. 3**

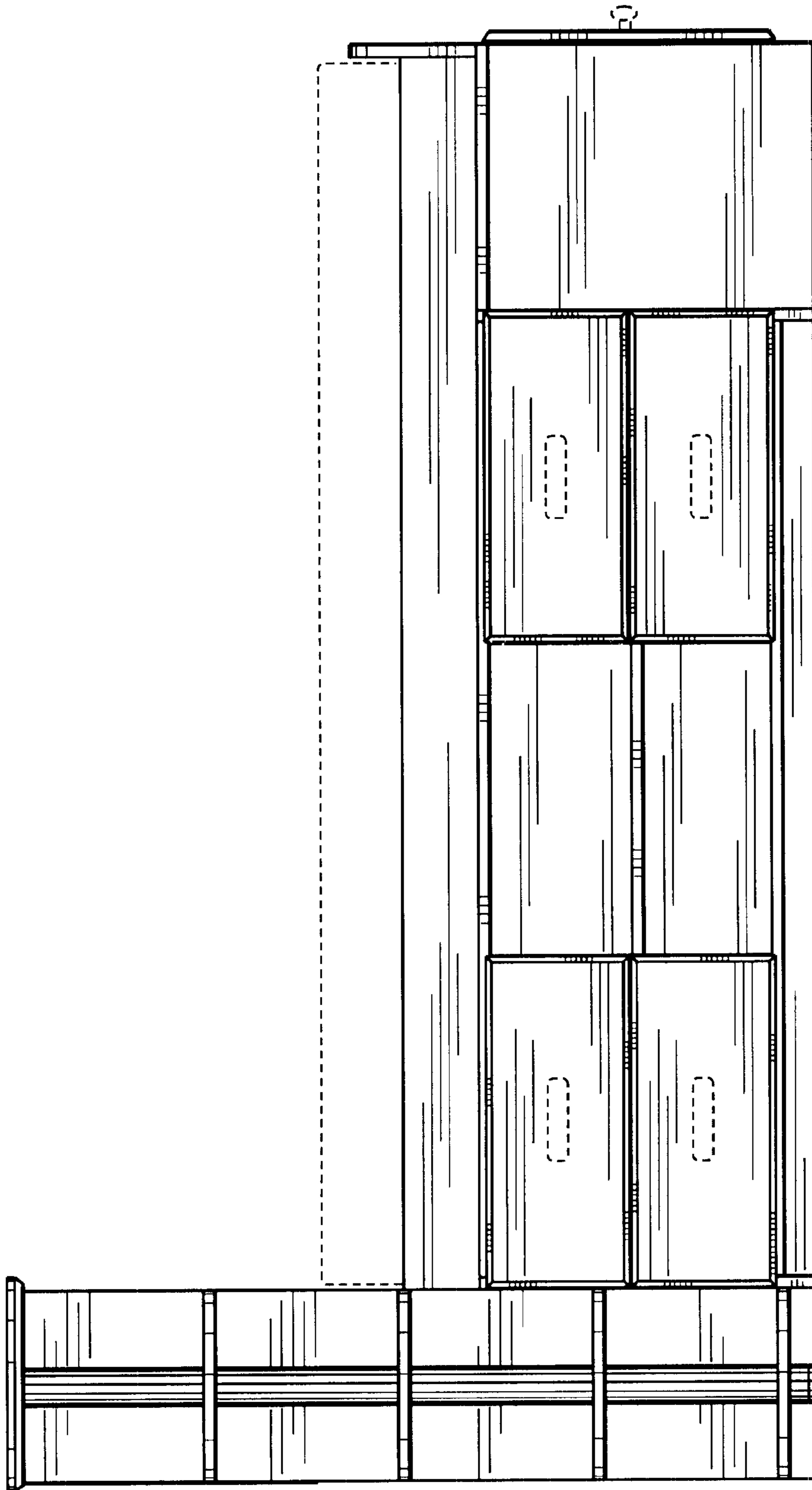
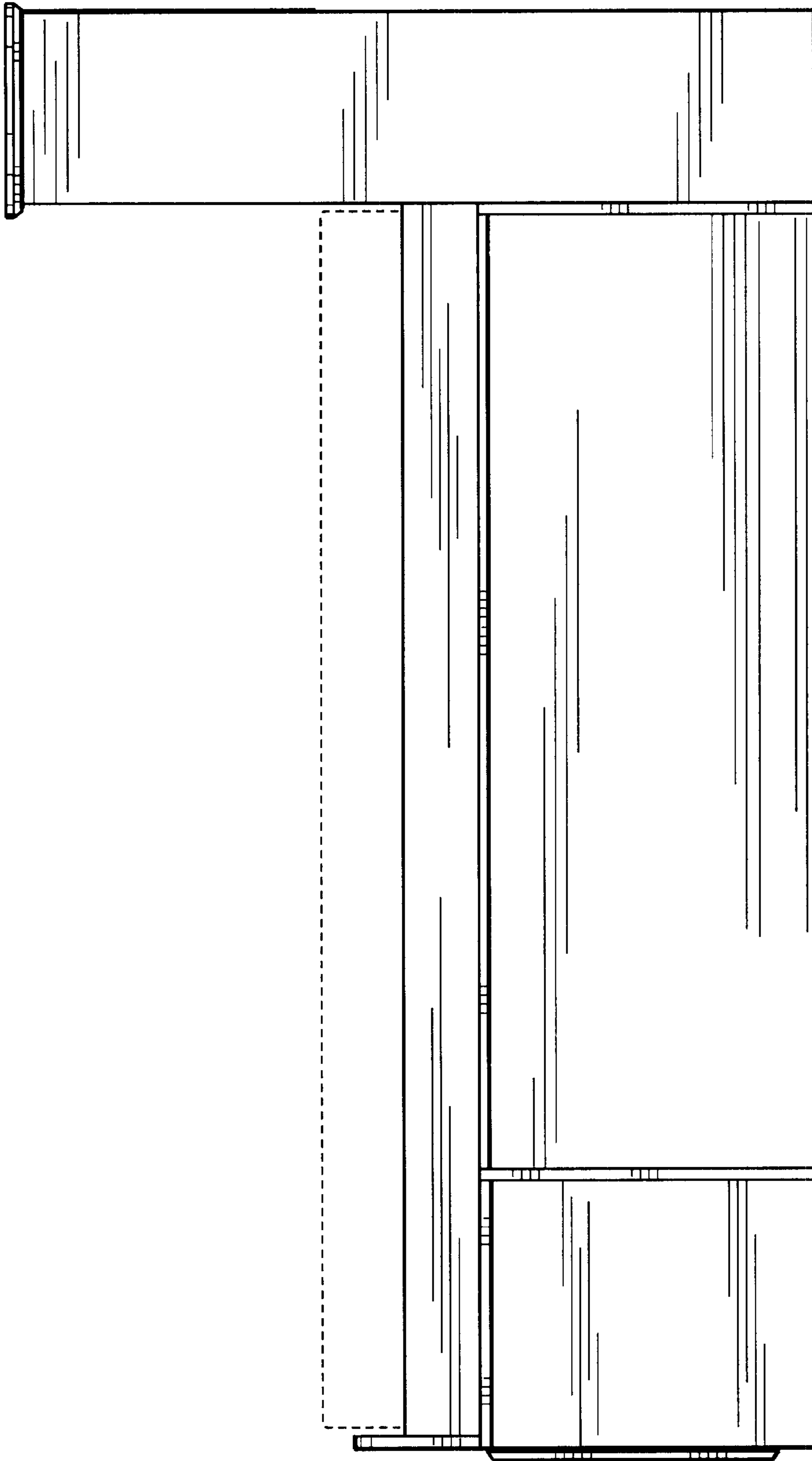


FIG. 5



**FIG. 6**

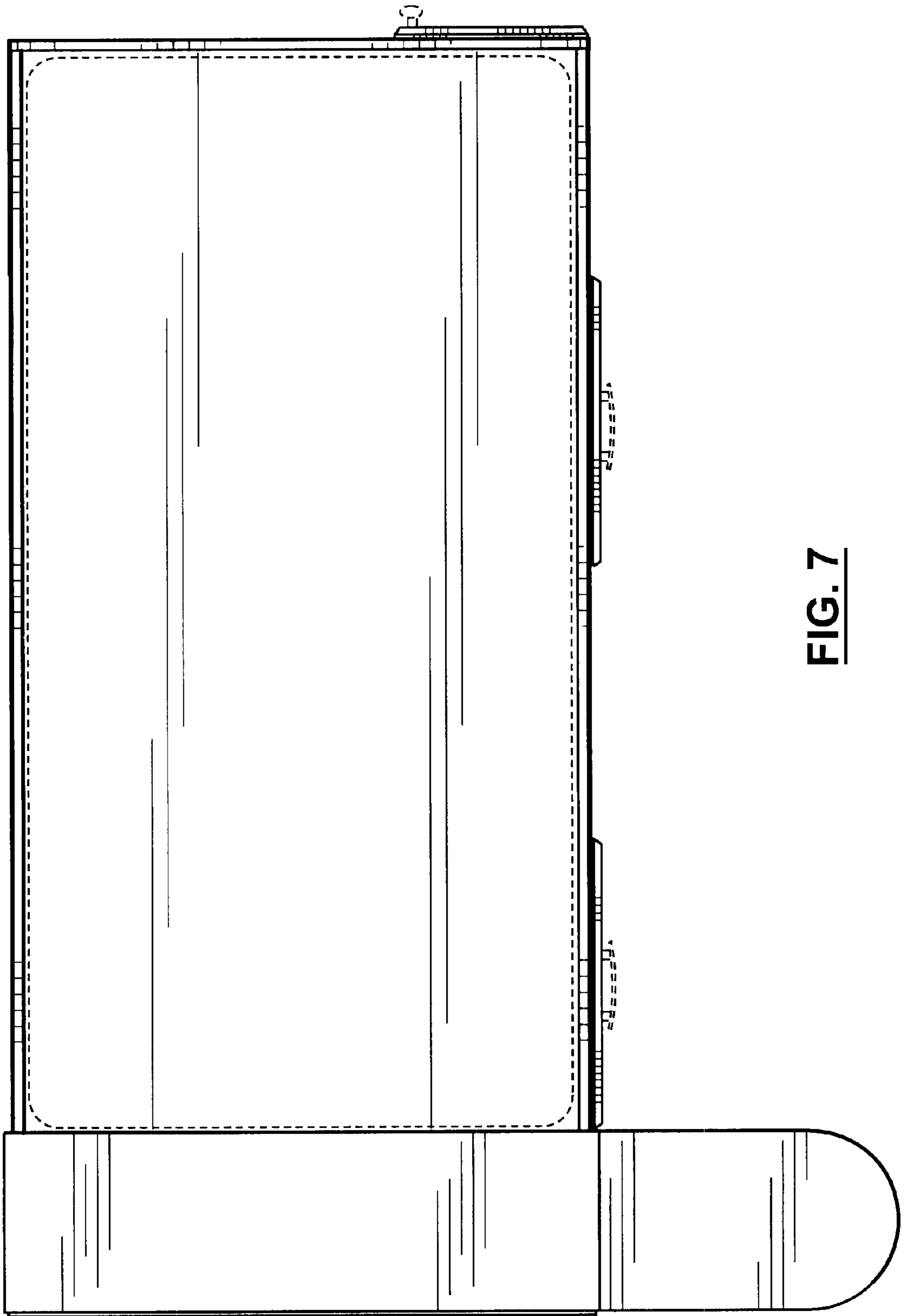
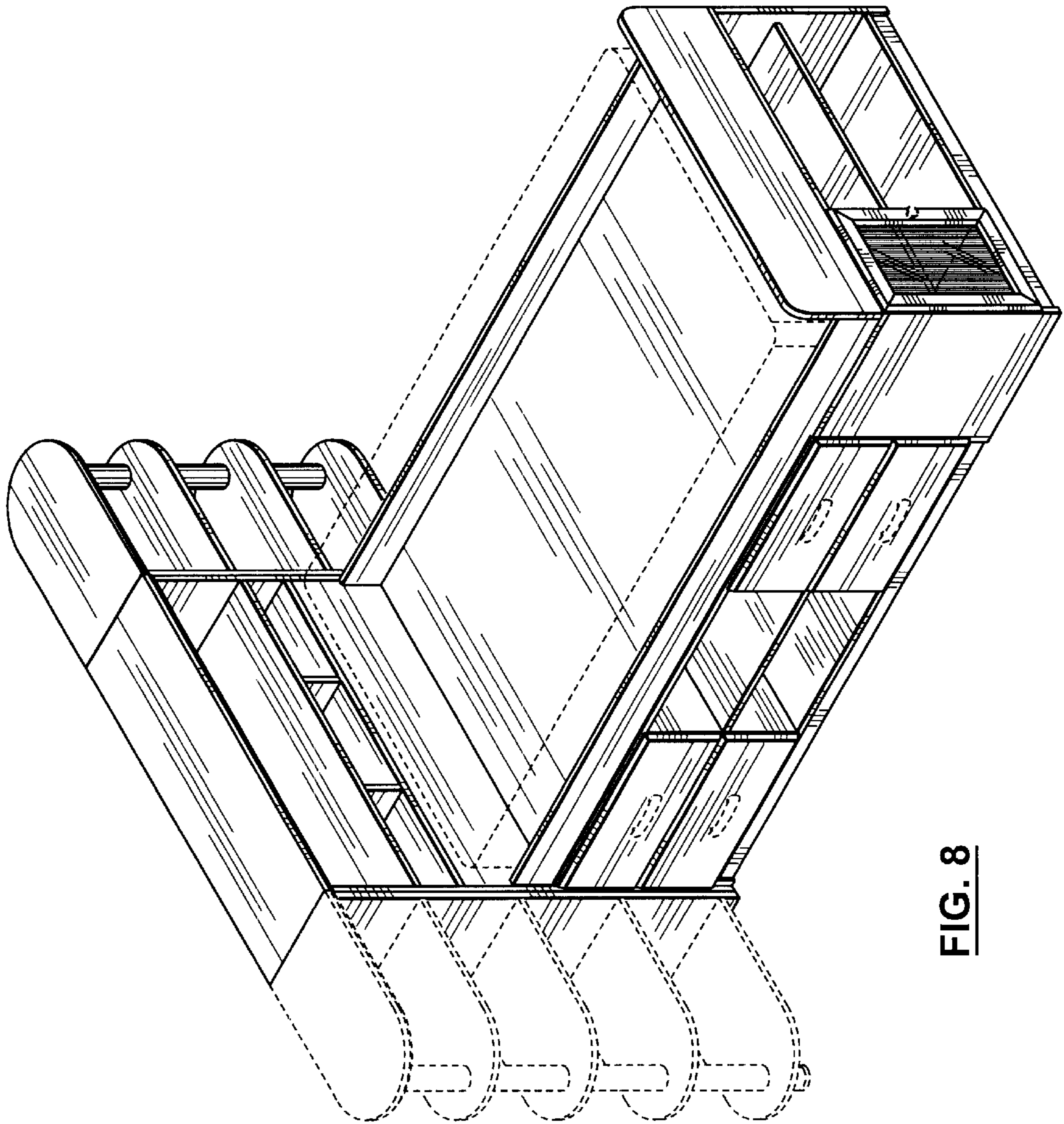
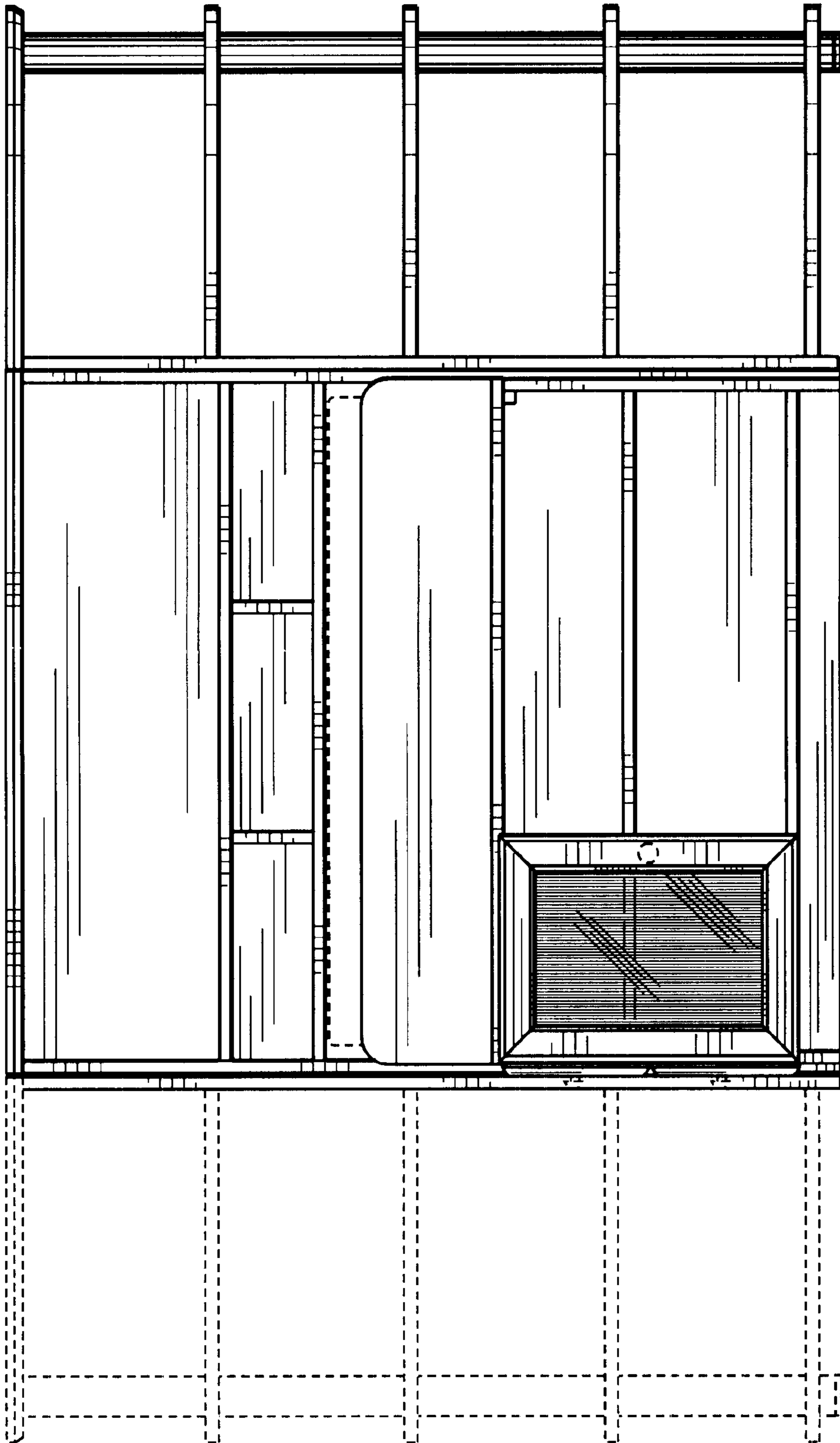


FIG. 7

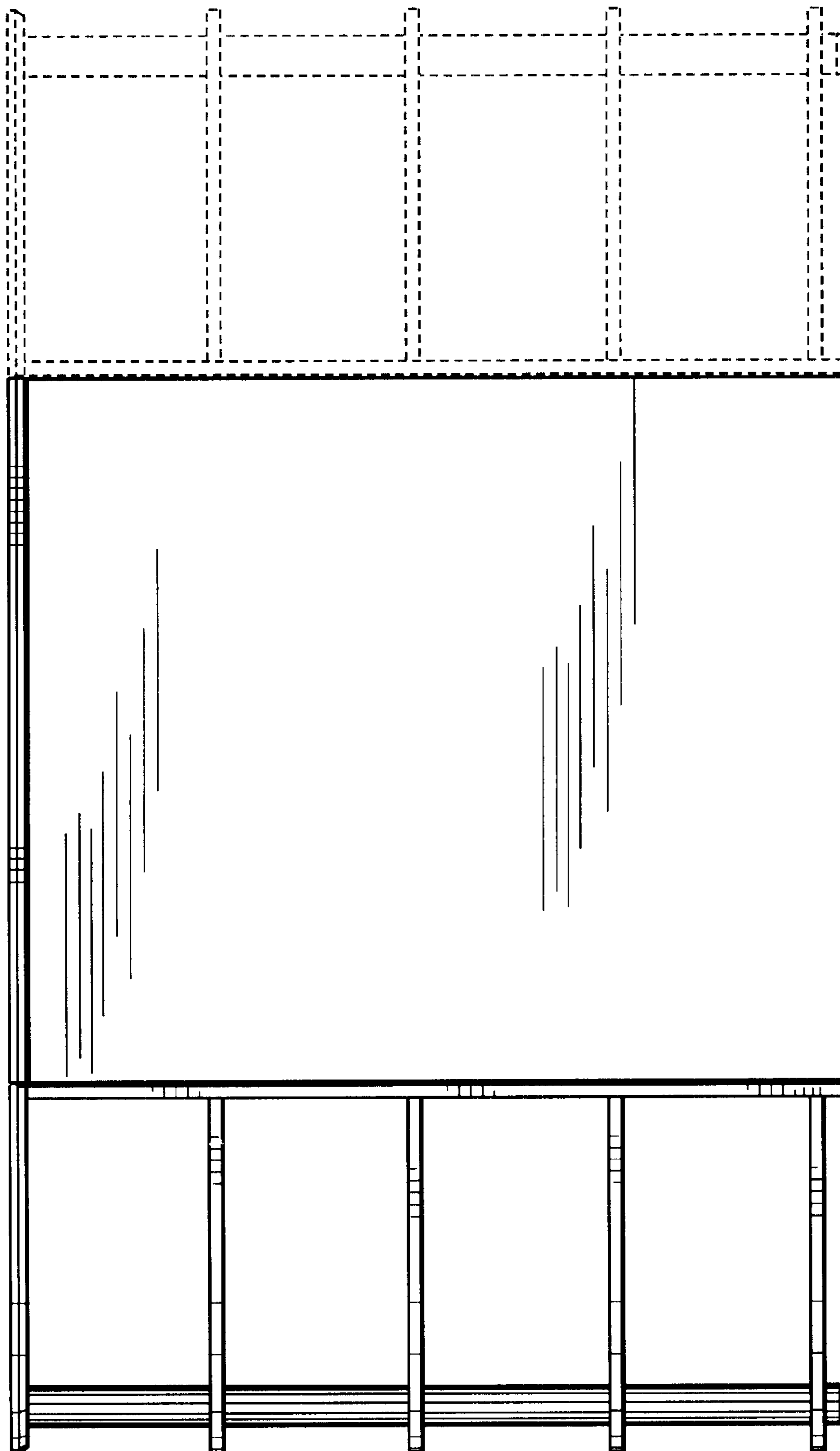


**FIG. 8**

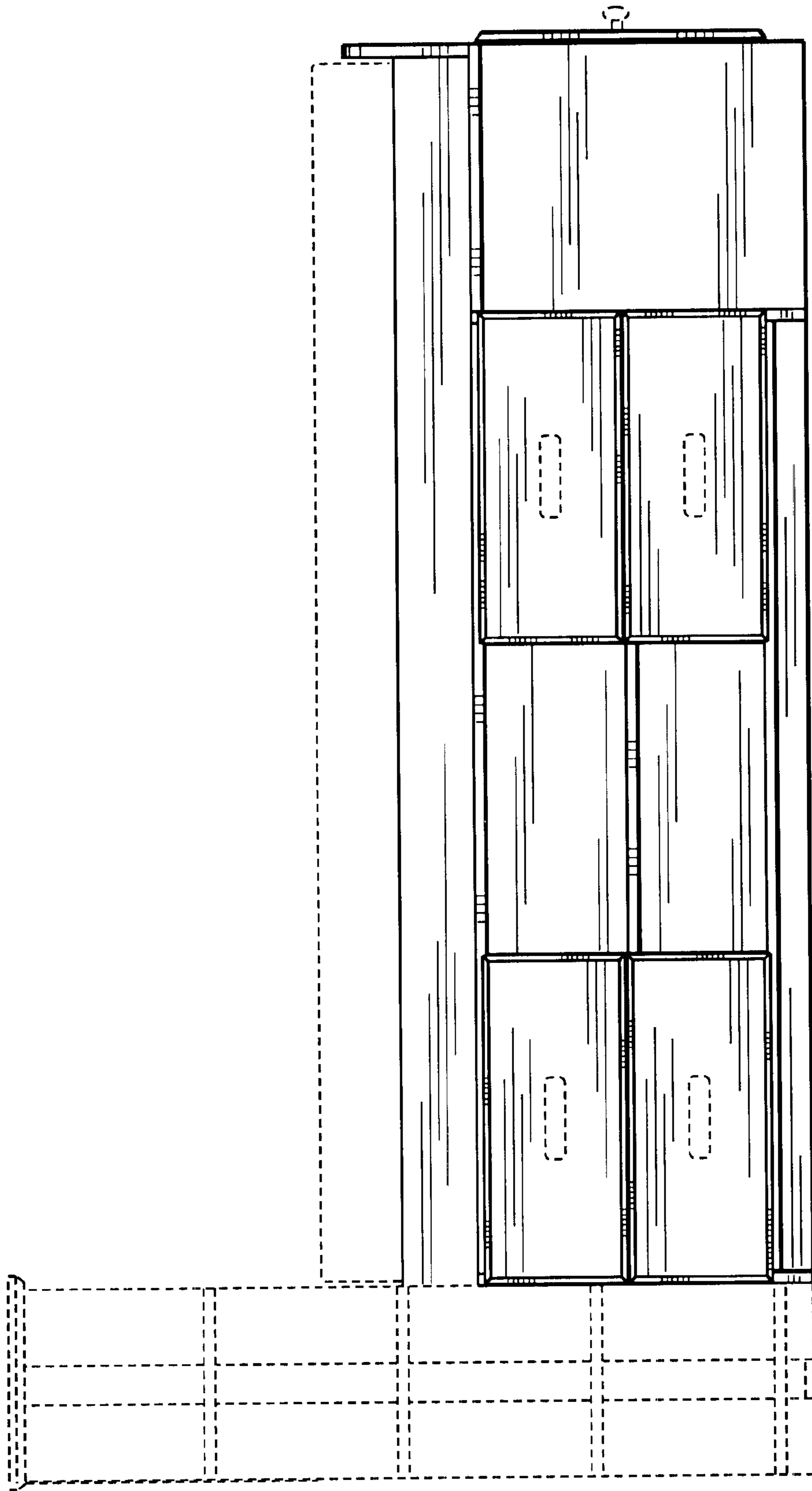




**FIG. 9**



**FIG. 10**



**FIG. 11**

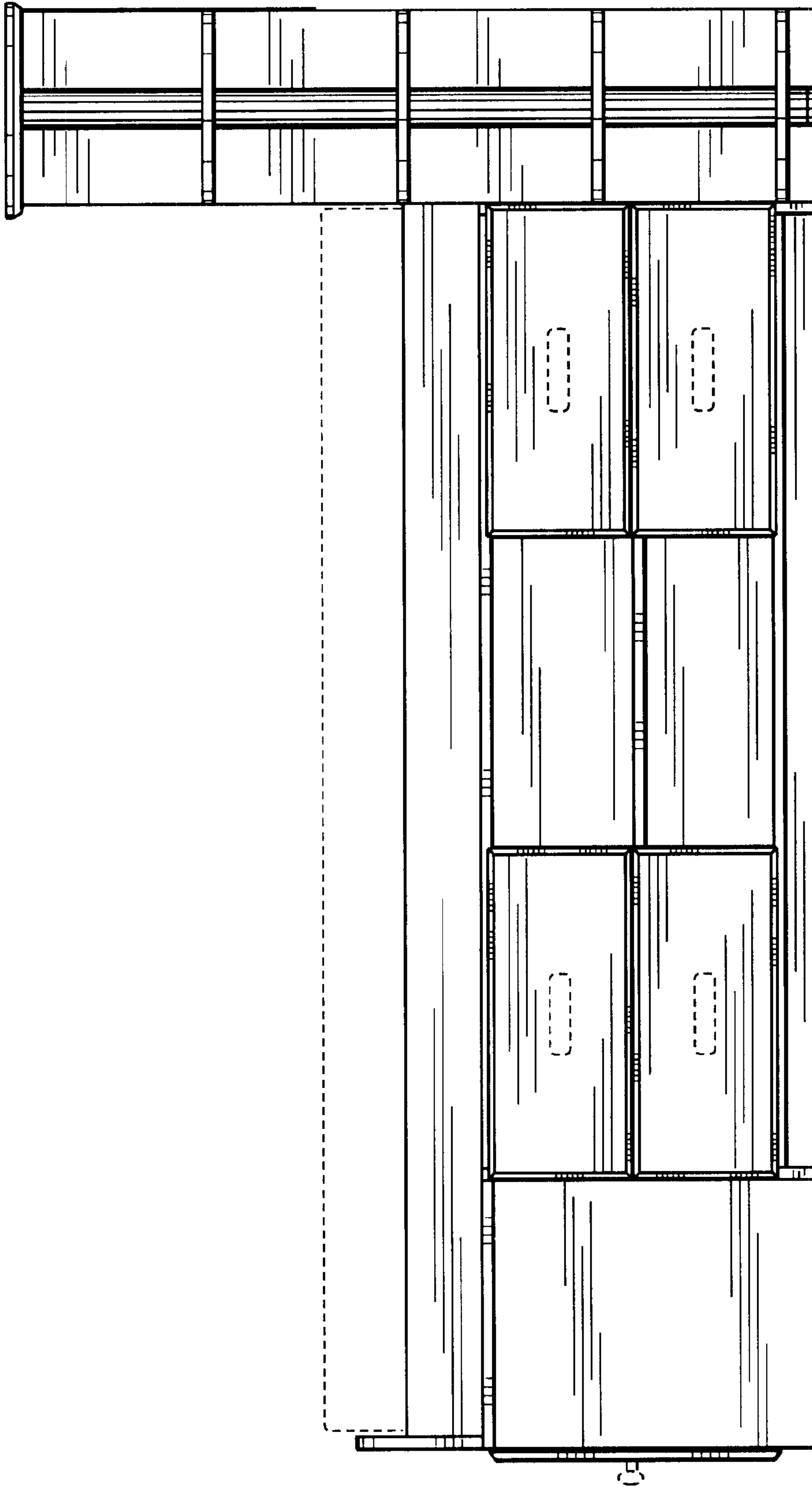
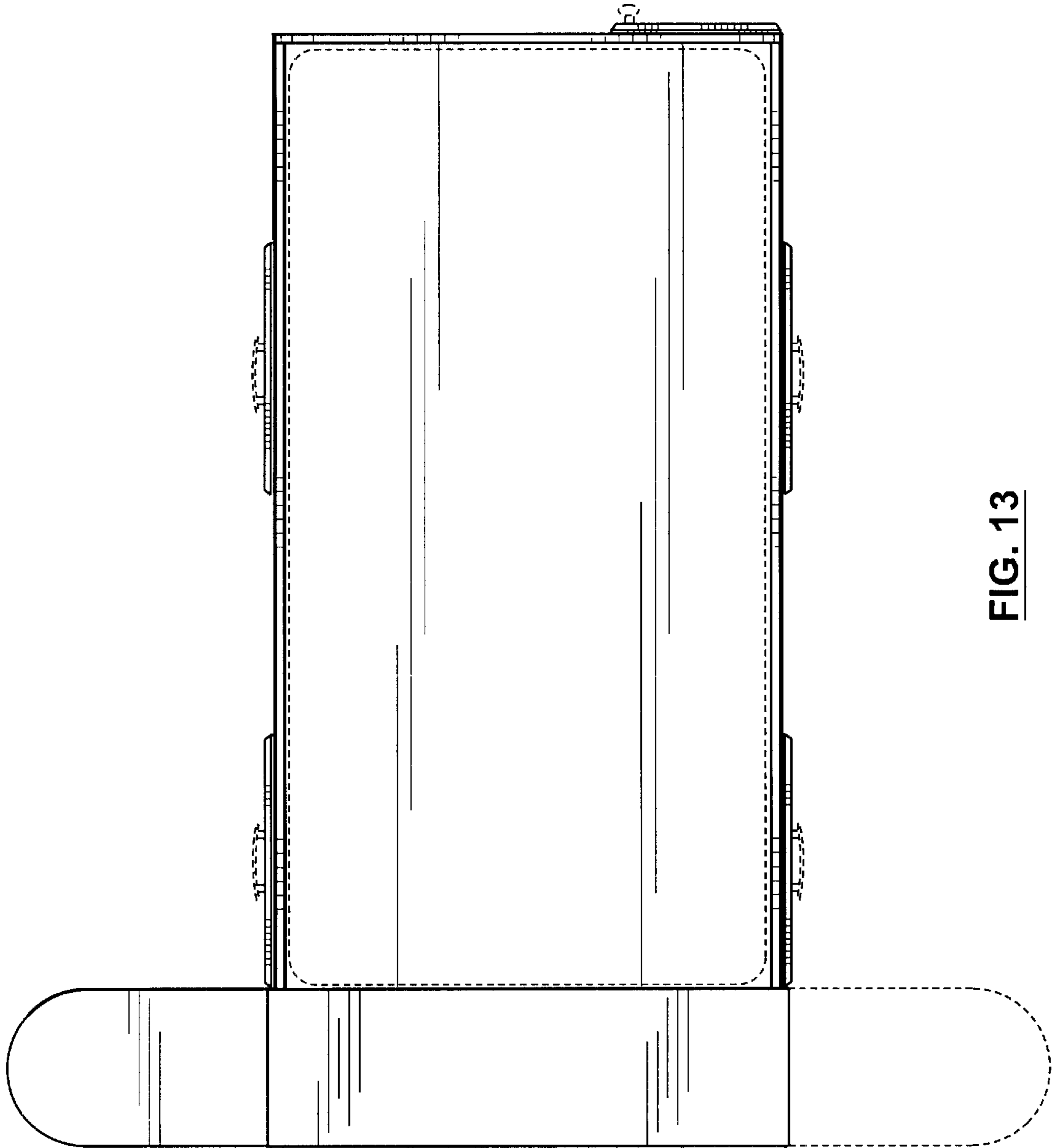


FIG. 12



**FIG. 13**