



US00D486006S

(12) **United States Design Patent** (10) **Patent No.:** **US D486,006 S**
Ricci (45) **Date of Patent:** **** Feb. 3, 2004**

- (54) **SEAT**
- (75) Inventor: **Luca Ricci**, Forli (IT)
- (73) Assignee: **De Coro Ltd.**, Fanling (HK)
- (**) Term: **14 Years**
- (21) Appl. No.: **29/172,739**
- (22) Filed: **Dec. 16, 2002**
- (51) **LOC (7) Cl.** **06-01**
- (52) **U.S. Cl.** **D6/381; D6/334**
- (58) **Field of Search** **D6/334, 335, 364, D6/371, 381, 500, 501, 502; 5/12.1; 297/232**

(56) **References Cited**

U.S. PATENT DOCUMENTS

D364,975 S	12/1995	Natuzzi et al.	
D370,356 S	6/1996	Natuzzi et al.	
D393,758 S	4/1998	Natuzzi et al.	
D400,368 S	* 11/1998	Natuzzi et al. D6/381
D407,572 S	4/1999	Natuzzi et al.	
D407,573 S	4/1999	Natuzzi et al.	
D431,387 S	* 10/2000	Natuzzi et al. D6/381
D431,926 S	* 10/2000	Natuzzi et al. D6/381
D431,928 S	10/2000	Natuzzi et al.	
D434,245 S	11/2000	Natuzzi et al.	
D448,945 S	* 10/2001	Natuzzi et al. D6/381
D473,394 S	* 4/2003	Natuzzi et al. D6/381
D474,911 S	* 5/2003	Ricci D6/381
D476,166 S	* 6/2003	Ricci D6/381
D478,224 S	* 8/2003	Natuzzi et al. D6/381

OTHER PUBLICATIONS

De Coro Ltd. Sofa Model No. 2148, Oct., 2001, at the International Home Furnishing Market in High Point, N.C.
 De Coro Ltd. Sofa Model No. 2143, Oct., 2001, at the International Home Furnishing Market in High Point, N.C.
 De Coro Ltd. Sofa Model No. 2140, Oct., 2001, at the International Home Furnishing Market in High Point, N.C.
 De Coro Ltd. Sofa Model No. 2067, Apr., 2000, at the International Home Furnishing Market in High Point, N.C.

De Coro Ltd. Sofa Model No. 244, Apr., 1999, at the International Home Furnishing Market in High Point, N.C.
 De Coro Ltd. Sofa Model No. 2155, Oct., 2001, at the International Home Furnishing Market in High Point, N.C.
 De Coro Ltd. Sofa Model No. 2197, Apr., 2002, at the International Home Furnishing Market in High Point, N.C.
 De Coro Ltd. Sofa Model No. 2201, Apr., 2002, at the International Home Furnishing Market in High Point, N.C.
 De Coro Ltd. Sofa Model No. 2206, Apr., 2002, at the International Home Furnishing Market in High Point, N.C.
 De Coro Ltd. Sofa Model No. 2209, Apr., 2002, at the International Home Furnishing Market in High Point, N.C.

(List continued on next page.)

Primary Examiner—Gary D. Watson
 (74) *Attorney, Agent, or Firm*—Luce, Forward, Hamilton & Scripps LLP

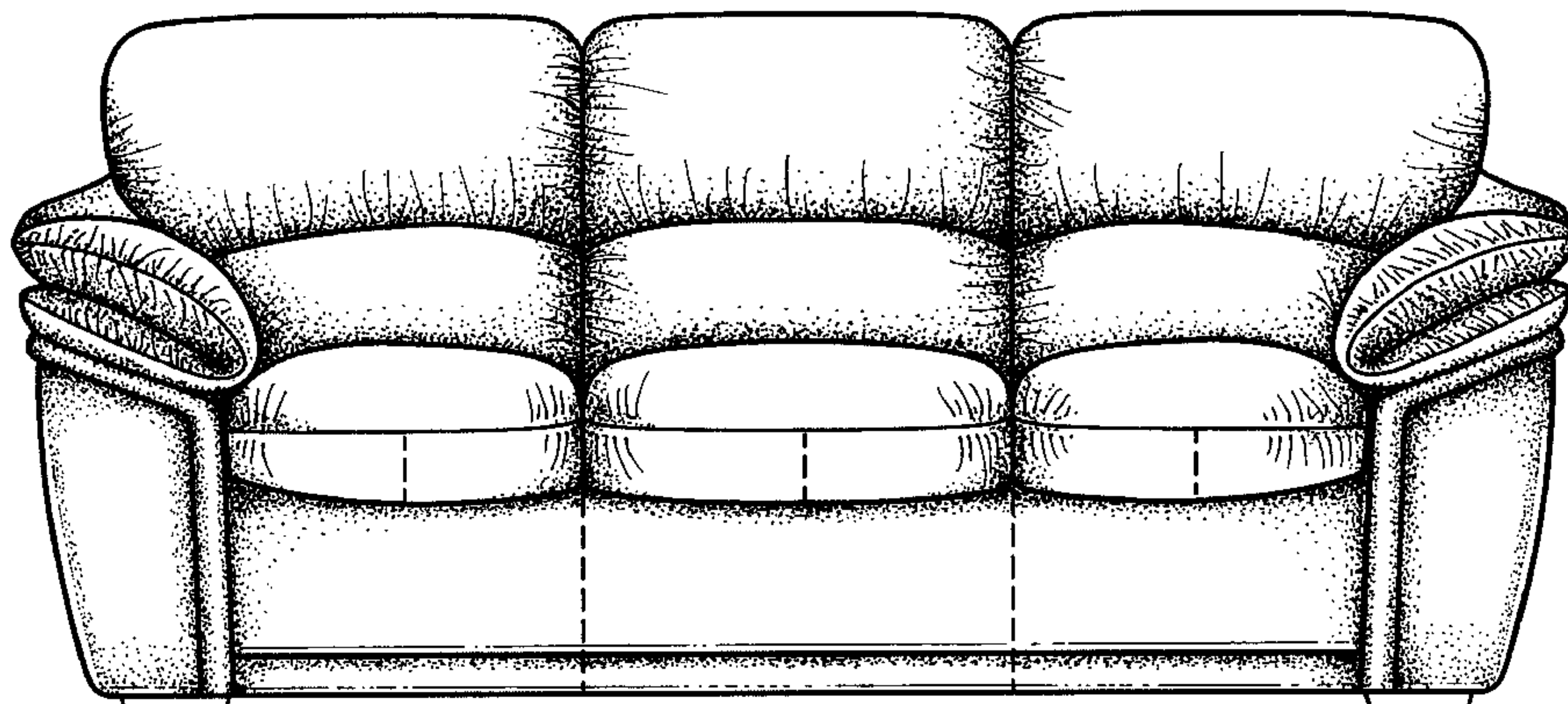
(57) **CLAIM**

The ornamental design for a seat, as shown and described.

DESCRIPTION

FIG. 1 is a front perspective view of one embodiment of my new seat design in the form of a sofa;
 FIG. 2 is a front elevation view of the embodiment of FIG. 1;
 FIG. 3 is a left, side elevation view of the embodiment of FIG. 1, with the right side elevational view being a mirror image thereof;
 FIG. 4 is a rear elevation view of the embodiment of FIG. 1;
 FIG. 5 is a front perspective view of a second embodiment of my new seat design in the form of a chair;
 FIG. 6 is a front elevation view of the embodiment of FIG. 5; and,
 FIG. 7 is a back elevation view of the embodiment of FIG. 5.
 The end view of FIGS. 5, 6, and 7 are like that shown in FIG. 3.
 The broken line disclosure is for illustrative purposes only and forms no part of the claimed design.

1 Claim, 4 Drawing Sheets



OTHER PUBLICATIONS

De Coro Ltd. Sofa Model No. 2211, Apr., 2002, at the International Home Furnishing Market in High Point, N.C.
De Coro Ltd. Sofa Model No. 2215, Apr., 2002, at the International Home Furnishing Market in High Point, N.C.
De Coro Ltd. Sofa Model No. 2219, Apr., 2002, at the International Home Furnishing Market in High Point, N.C.

De Coro Ltd. Sofa Model No. 2226, Apr., 2002, at the International Home Furnishing Market in High Point, N.C.

De Coro Ltd. Sofa Model No. 2231, Apr., 2002, at the International Home Furnishing Market in High Point, N.C.

* cited by examiner

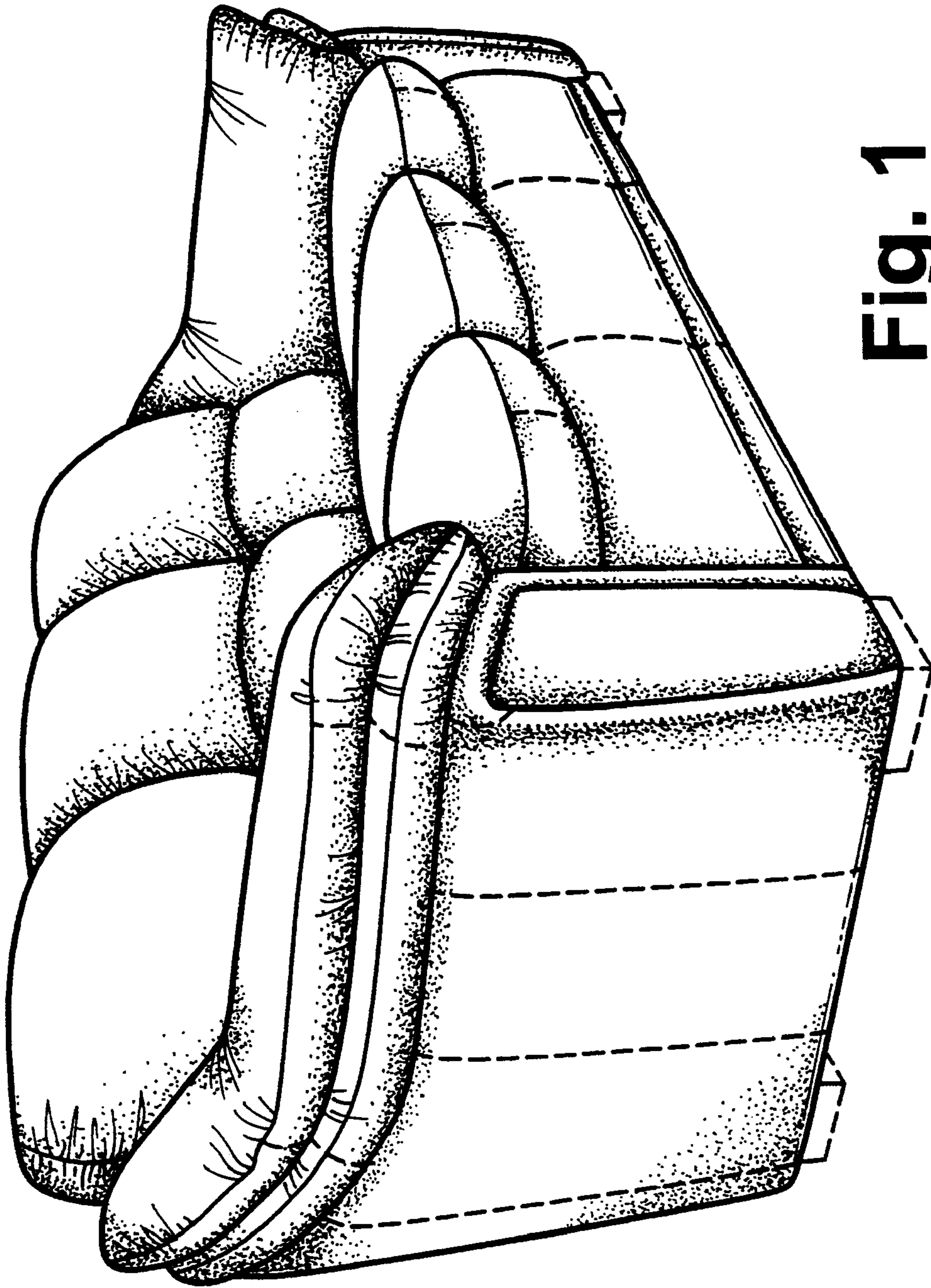


Fig. 1

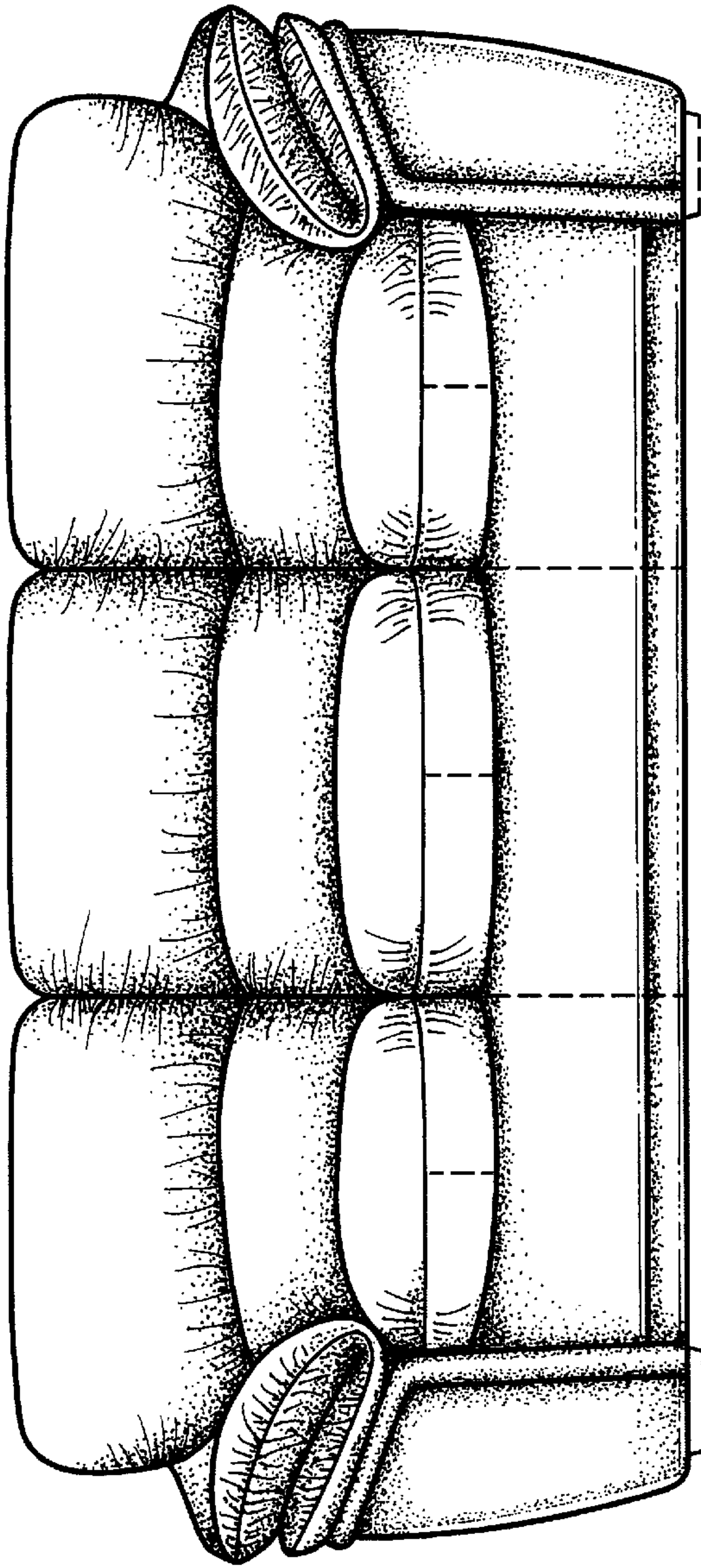


Fig. 2

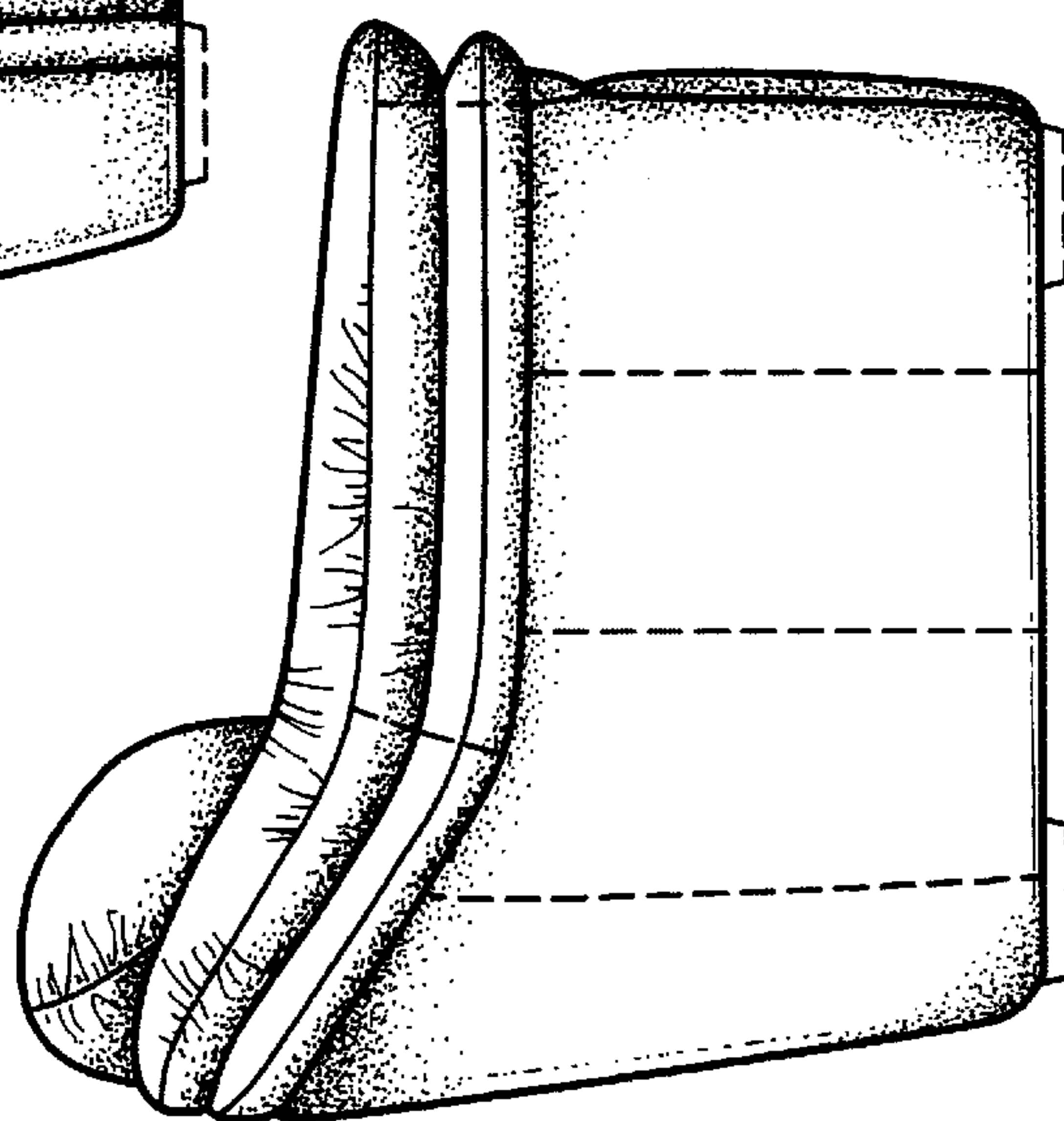


Fig. 3

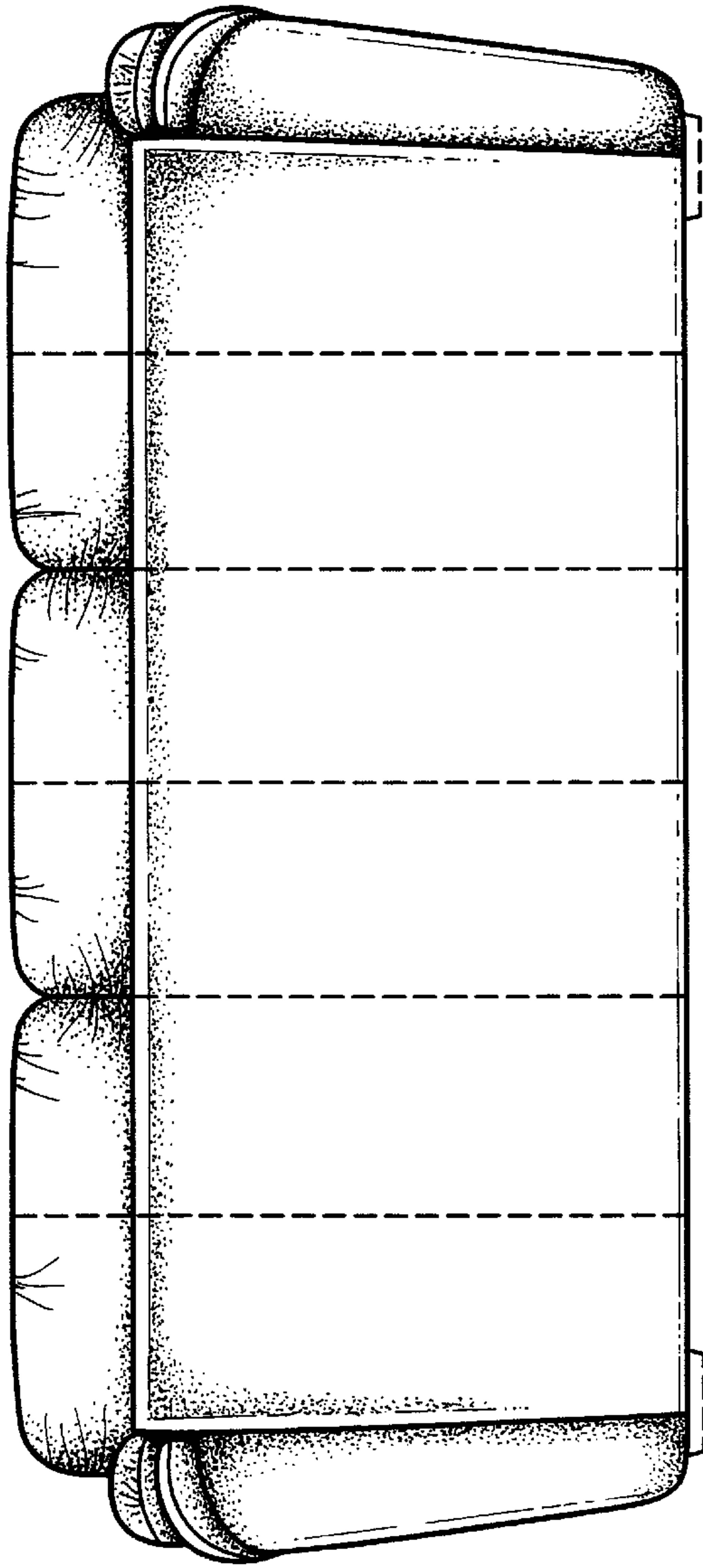


Fig. 4

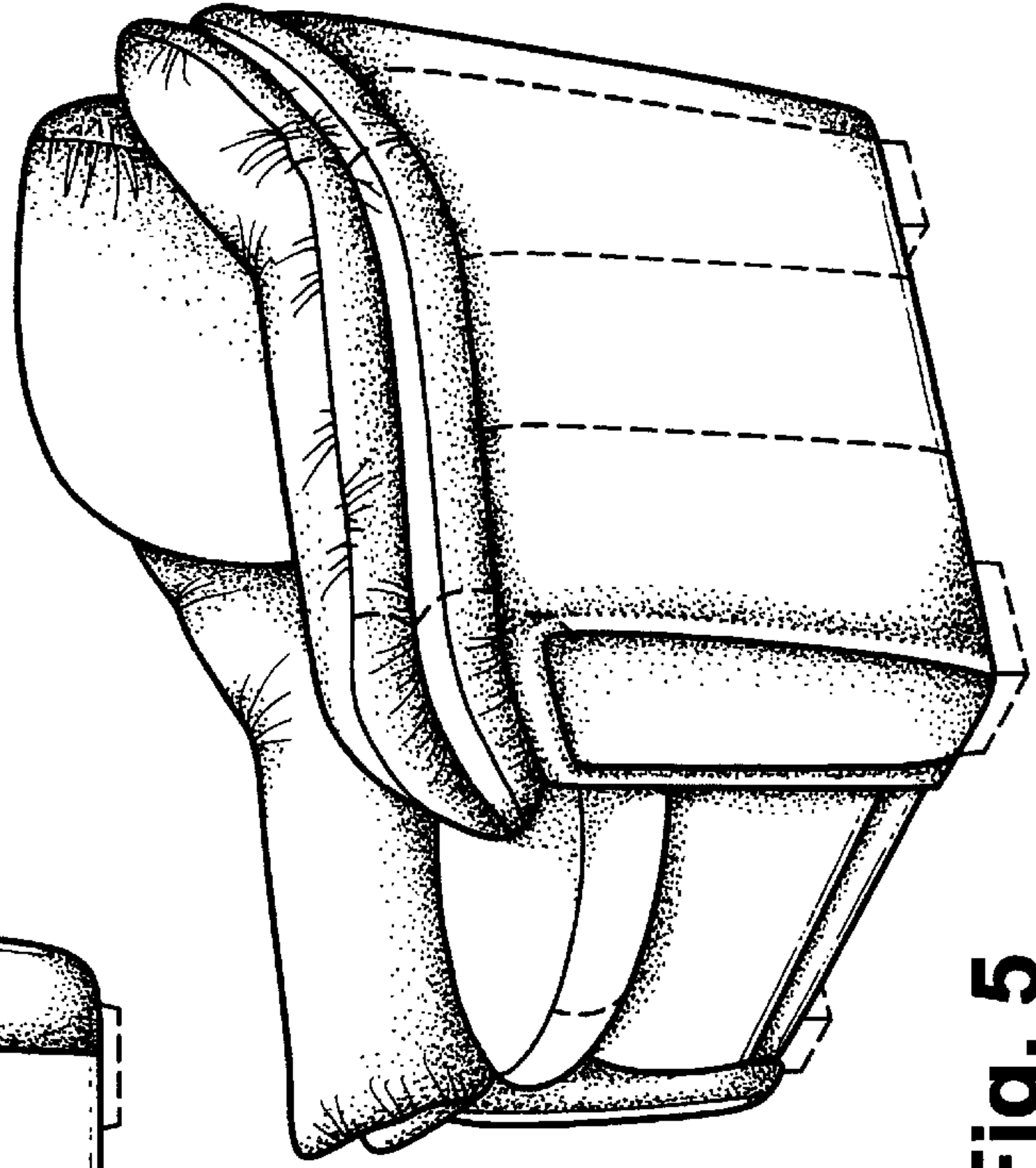


Fig. 5

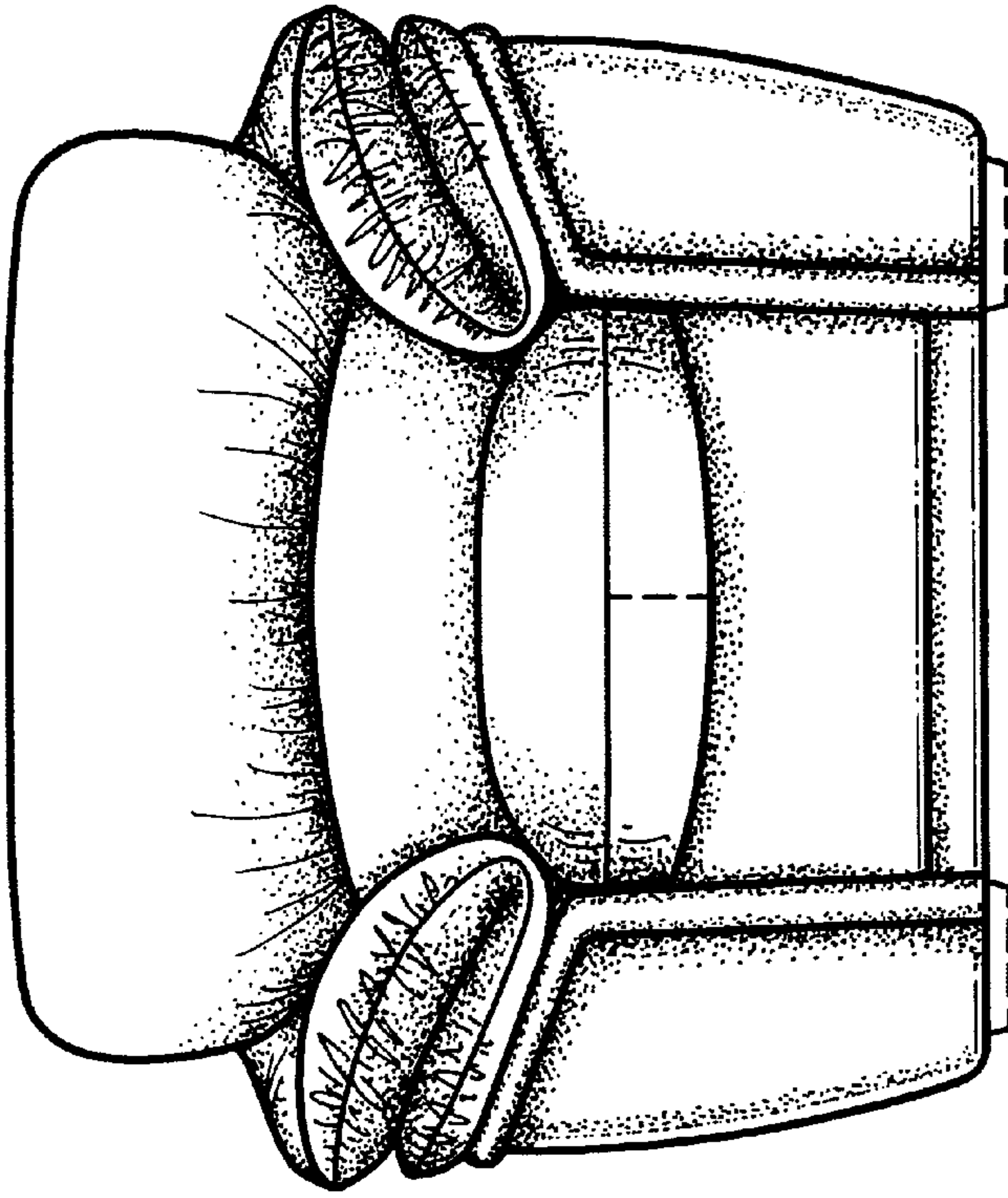


Fig. 6

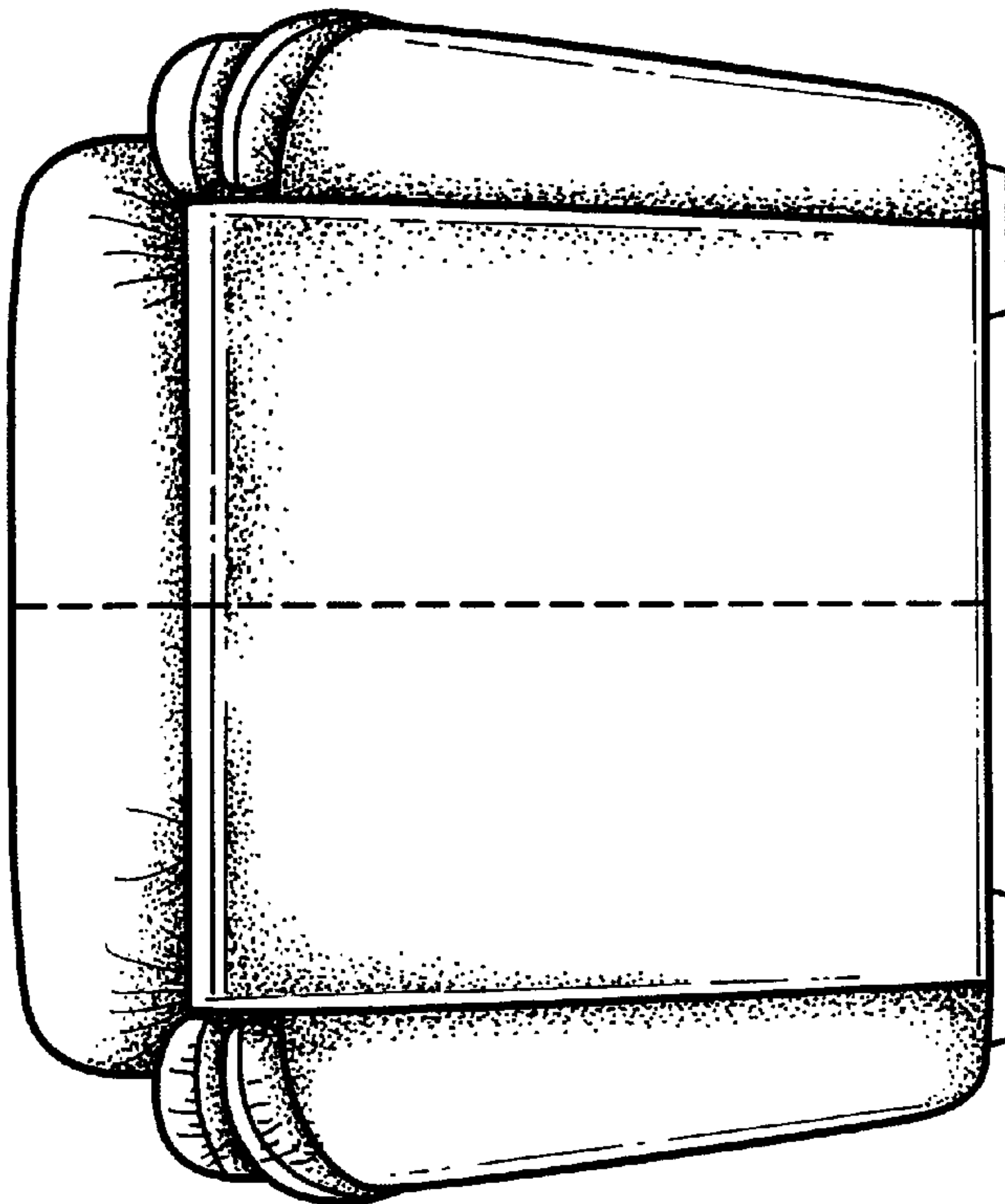


Fig. 7