



US00D486002S

(12) **United States Design Patent**
Lederman

(10) **Patent No.:** **US D486,002 S**

(45) **Date of Patent:** **** Feb. 3, 2004**

(54) **CHAIR**

(75) Inventor: **Vicki Lederman**, Summit, NJ (US)

(73) Assignee: **Joe Chen**, Randolph, NJ (US)

(**) Term: **14 Years**

(21) Appl. No.: **29/168,005**

(22) Filed: **Sep. 25, 2002**

(51) **LOC (7) Cl.** **06-01**

(52) **U.S. Cl.** **D6/372; D6/375**

(58) **Field of Search** **D6/334, 371, 372,**
D6/373, 374, 375, 379, 500, 501, 502;
297/445.1, 447.1, 447.2, 447.3

(56) **References Cited**

U.S. PATENT DOCUMENTS

D272,967 S	*	3/1984	Umanoff	D6/372
D286,106 S	*	10/1986	Franck et al.	D6/372
D301,663 S	*	6/1989	Vonhausen	D6/372
D360,769 S	*	8/1995	Groulx et al.	D6/372
D433,577 S	*	11/2000	Donnelly	D6/372
D449,176 S		10/2001	Schulte et al.		

OTHER PUBLICATIONS

Telescope Casual Advertisement, Casual Living, vol. 42, No. 4, Apr. 2002.

Caneel Bay Sling, Telescope Casual 2002 Collection Catalog.

Tropitone Collection Brochure 2002.

* cited by examiner

Primary Examiner—Gary D. Watson

(74) *Attorney, Agent, or Firm*—Drinker Biddle & Reath LLP

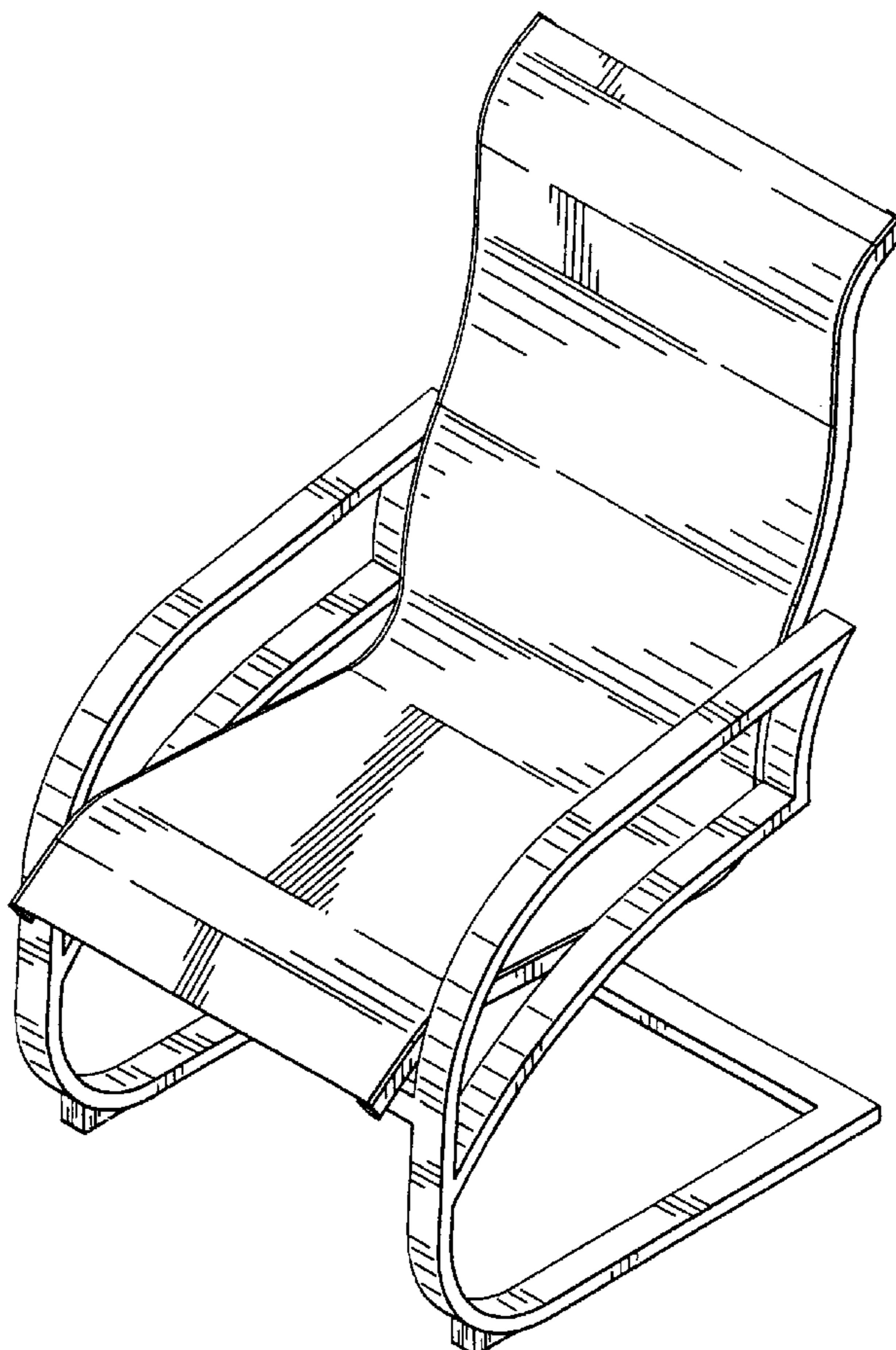
(57) **CLAIM**

The ornamental design for a chair, as shown and described.

DESCRIPTION

FIG. 1 is a perspective view of the chair;
FIG. 2 is a front elevational view of the chair;
FIG. 3 is a left side elevational view of the chair, the right side elevational view being a mirror image of the left side elevational view;
FIG. 4 is a rear view of the chair;
FIG. 5 is a top view of the chair; and,
FIG. 6 is a bottom view of the chair.

1 Claim, 6 Drawing Sheets



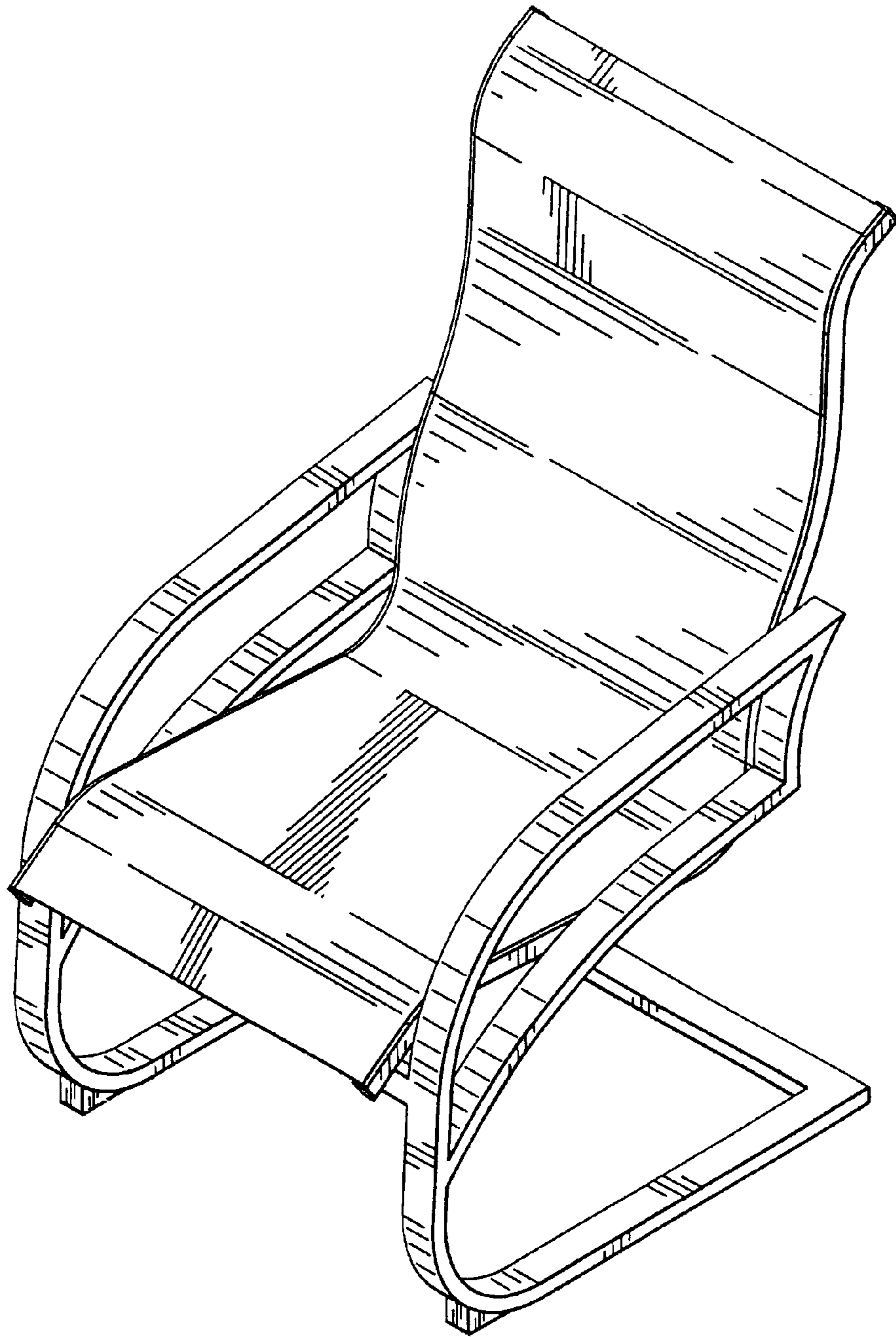


FIG. 1



FIG. 2

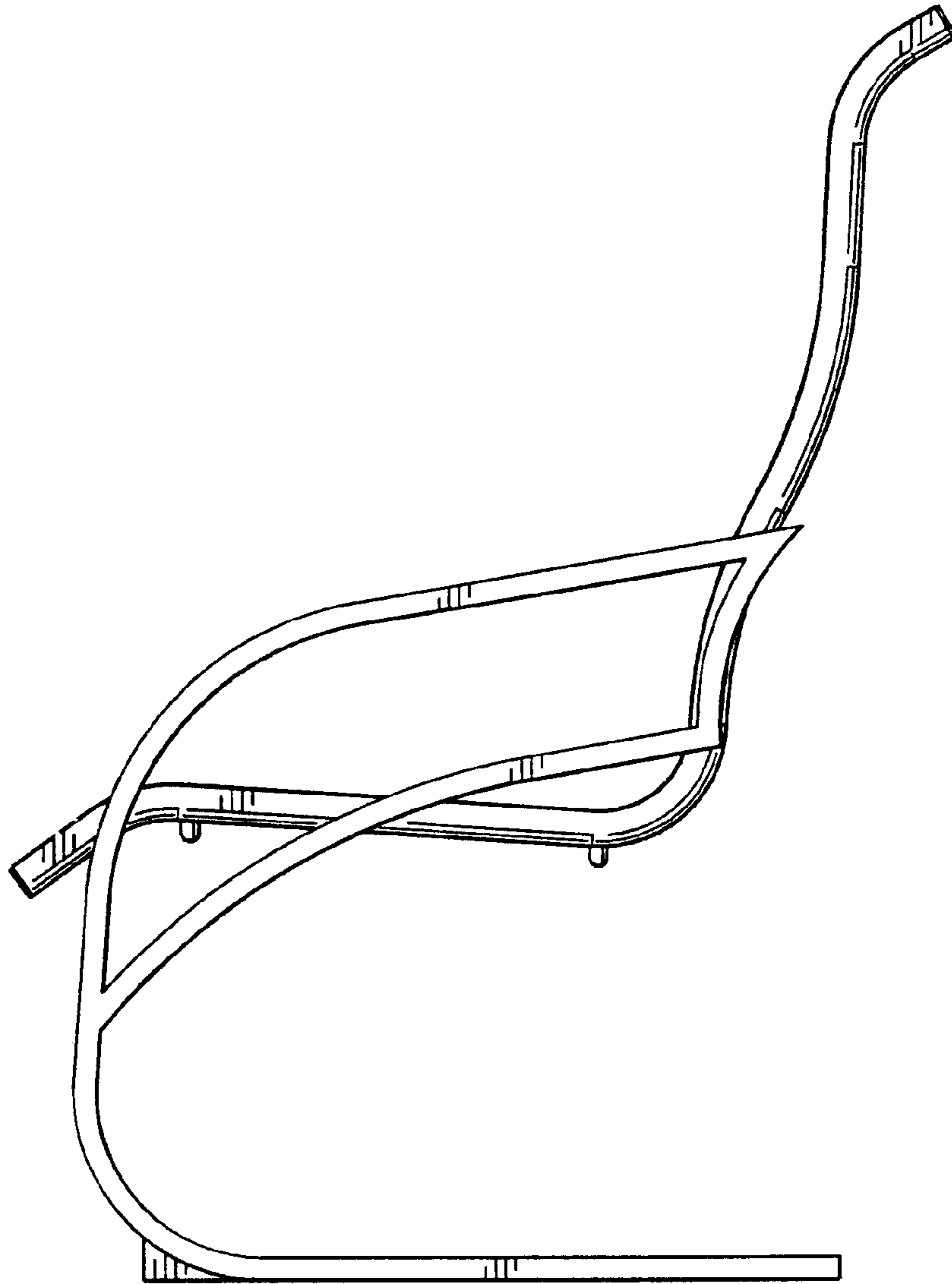


FIG. 3

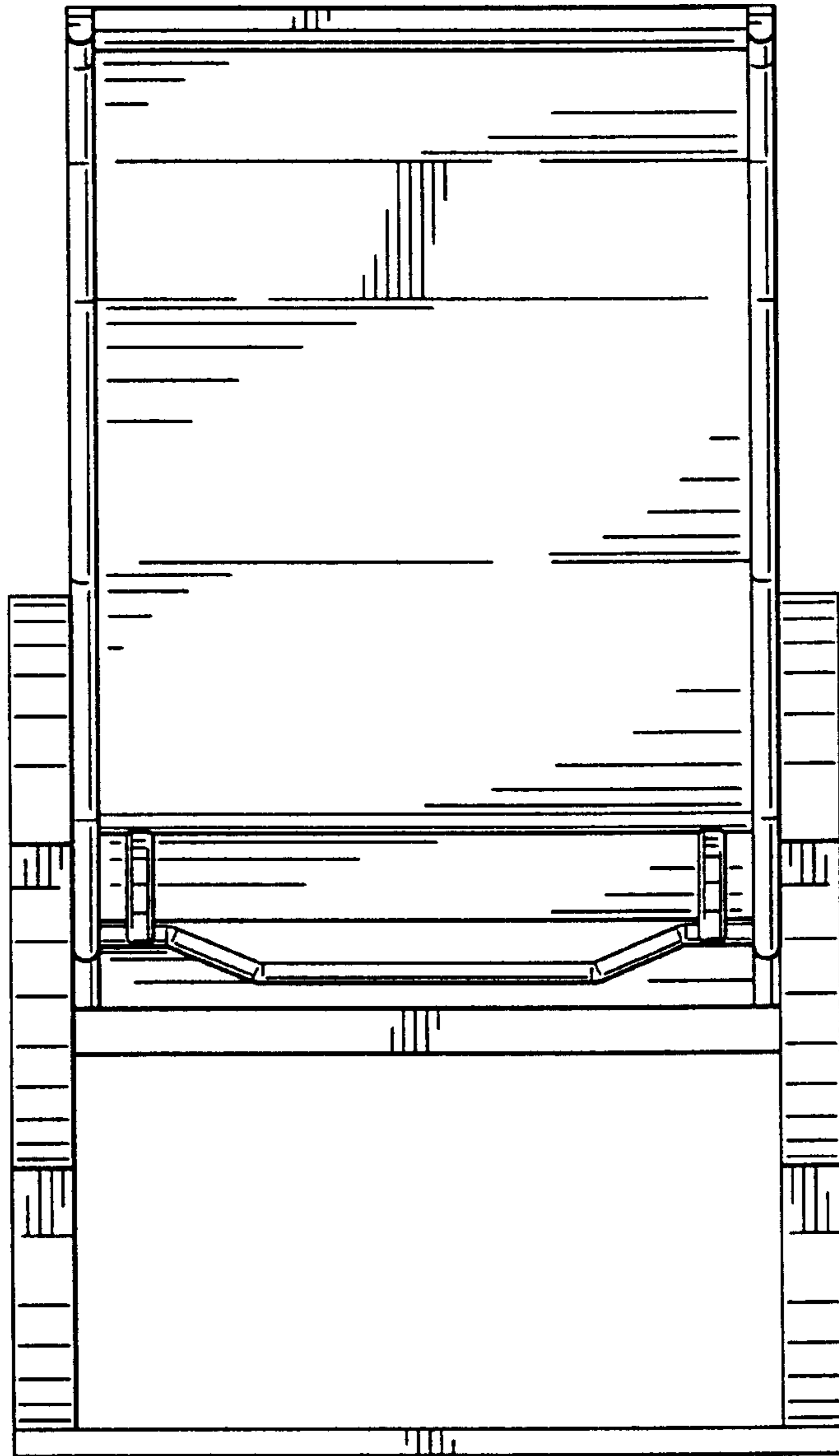


FIG. 4

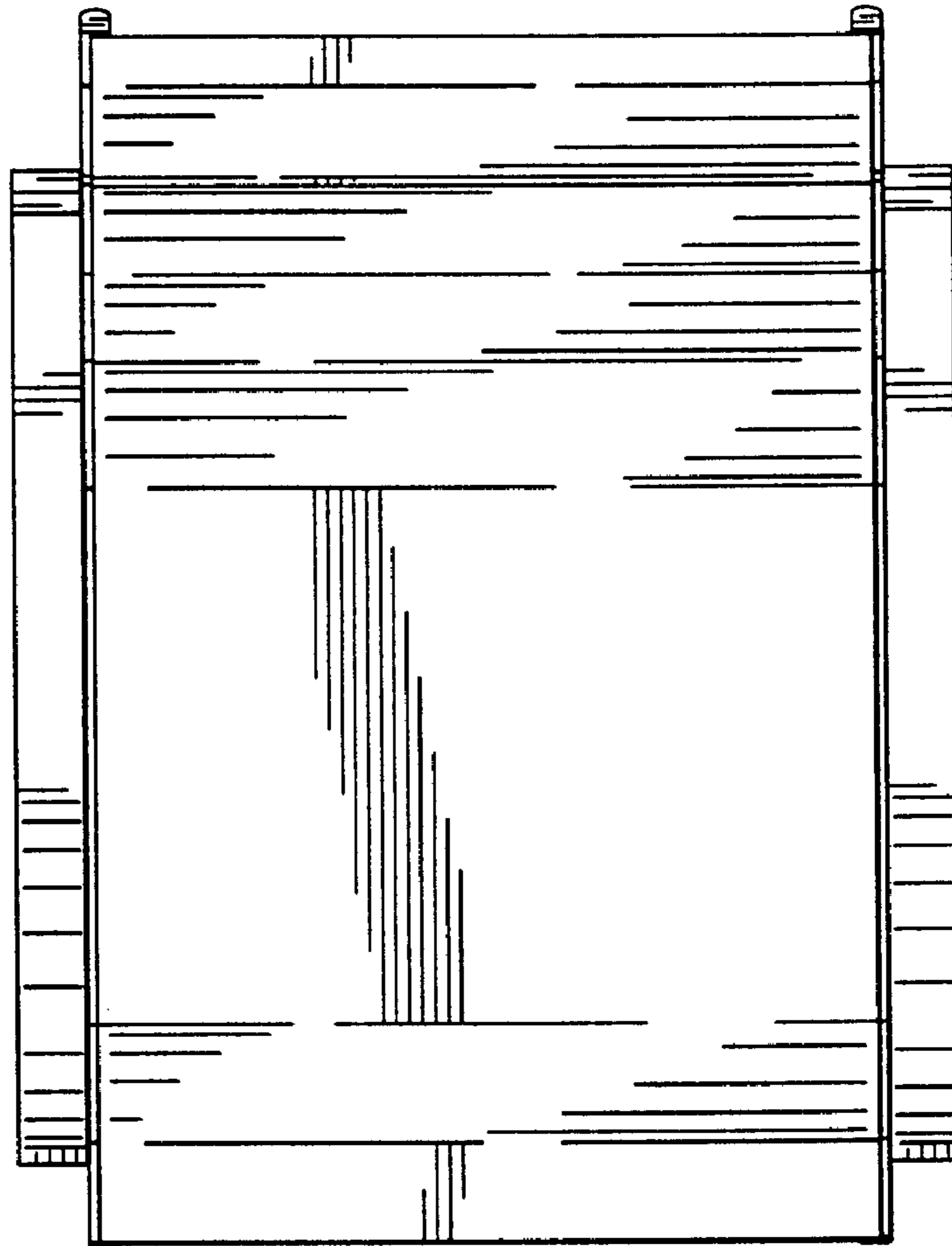


FIG. 5

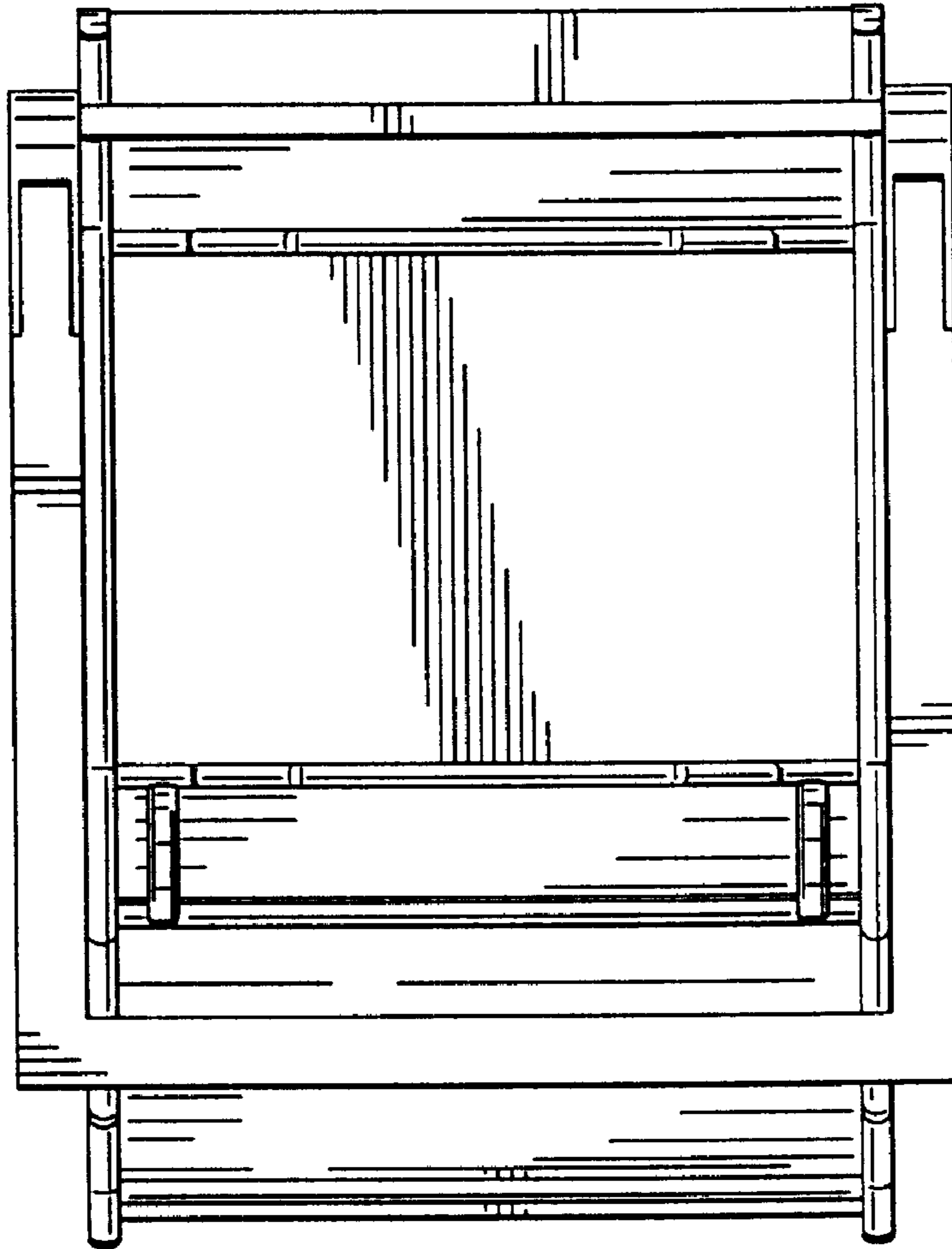


FIG. 6