



US00D485994S

(12) **United States Design Patent**
Oen

(10) **Patent No.:** **US D485,994 S**

(45) **Date of Patent:** **** Feb. 3, 2004**

(54) **MIRROR**

(76) **Inventor:** **Yu Oen**, 26 Pleasant Valley Way,
Princeton Junction, NJ (US) 08550

(**) **Term:** **14 Years**

(21) **Appl. No.:** **29/179,635**

(22) **Filed:** **Apr. 11, 2003**

(51) **LOC (7) Cl.** **06-07**

(52) **U.S. Cl.** **D6/300**

(58) **Field of Search** D6/300-303, 309-314;
40/700, 711, 722, 724, 729, 732, 745, 747,
765, 768, 769, 780, 790, 798, 757

(56) **References Cited**

U.S. PATENT DOCUMENTS

D142,356 S * 9/1945 Vallevona D6/300
D324,793 S * 3/1992 Johnson D6/552

D344,486 S * 2/1994 McWilliams D12/193
D438,018 S * 2/2001 Choi D6/300
6,189,251 B1 * 2/2001 Wilson 40/757

* cited by examiner

Primary Examiner—Janice E. Seeger

(74) *Attorney, Agent, or Firm*—Shapiro & Dupont LLP

(57) **CLAIM**

The ornamental design for a mirror, as shown and described.

DESCRIPTION

FIG. 1 is a front view of the mirror showing my new design;
FIG. 2 is a right side view;
FIG. 3 is a left side view;
FIG. 4 is a rear view;
FIG. 5 is a top view; and,
FIG. 6 is a bottom view thereof.

1 Claim, 2 Drawing Sheets

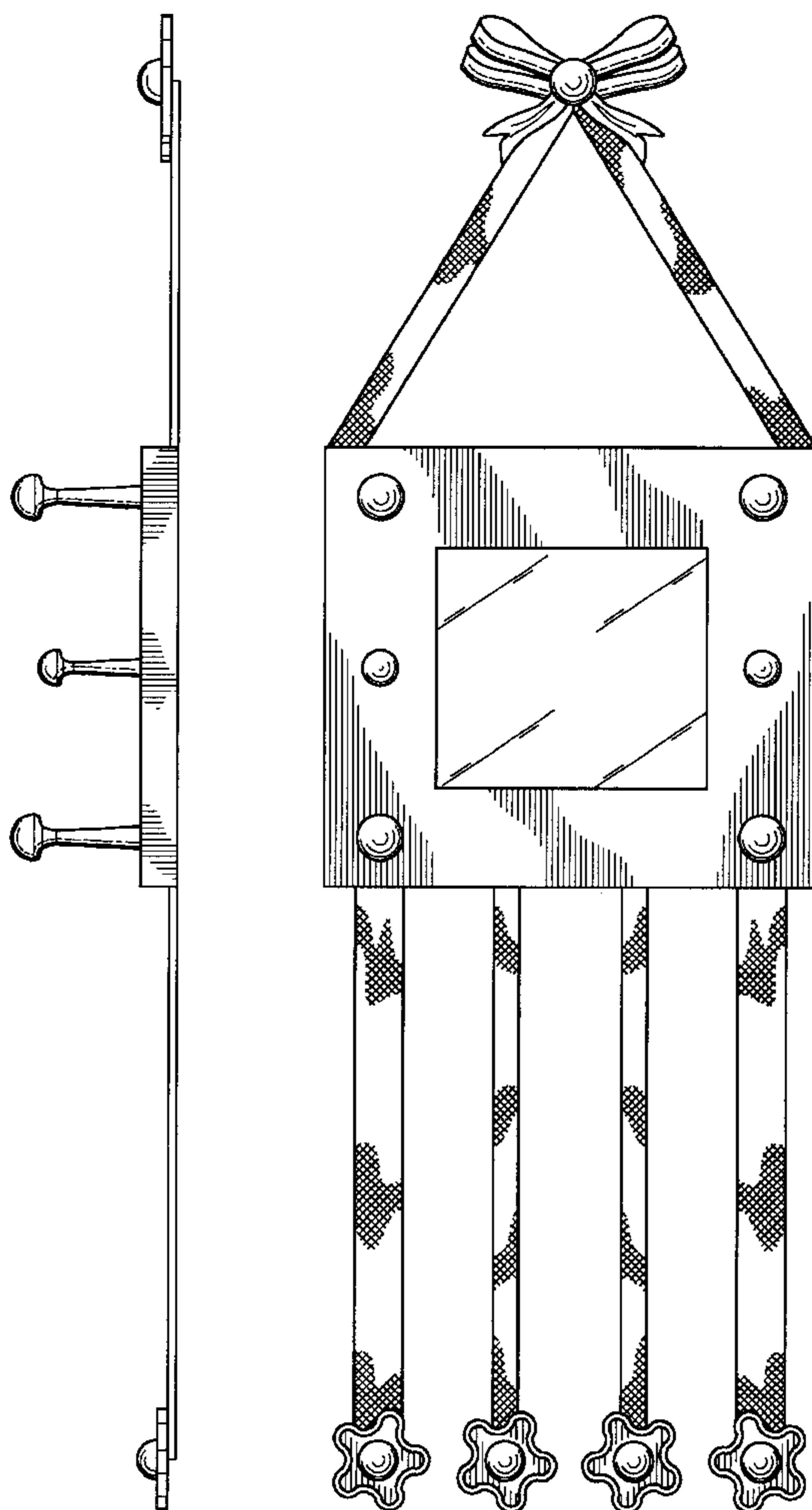


FIG. 1

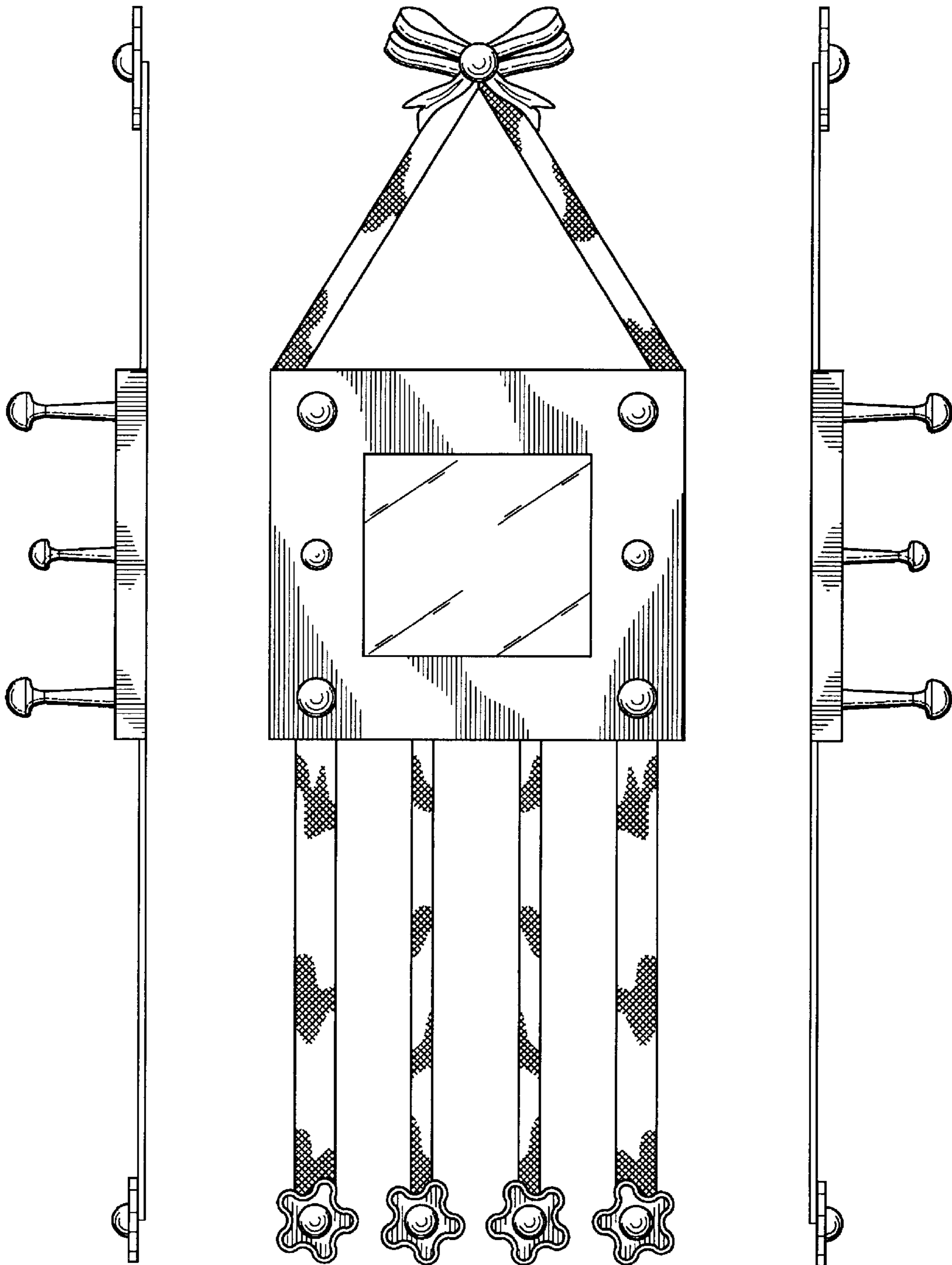


FIG. 2

FIG. 3

FIG. 4

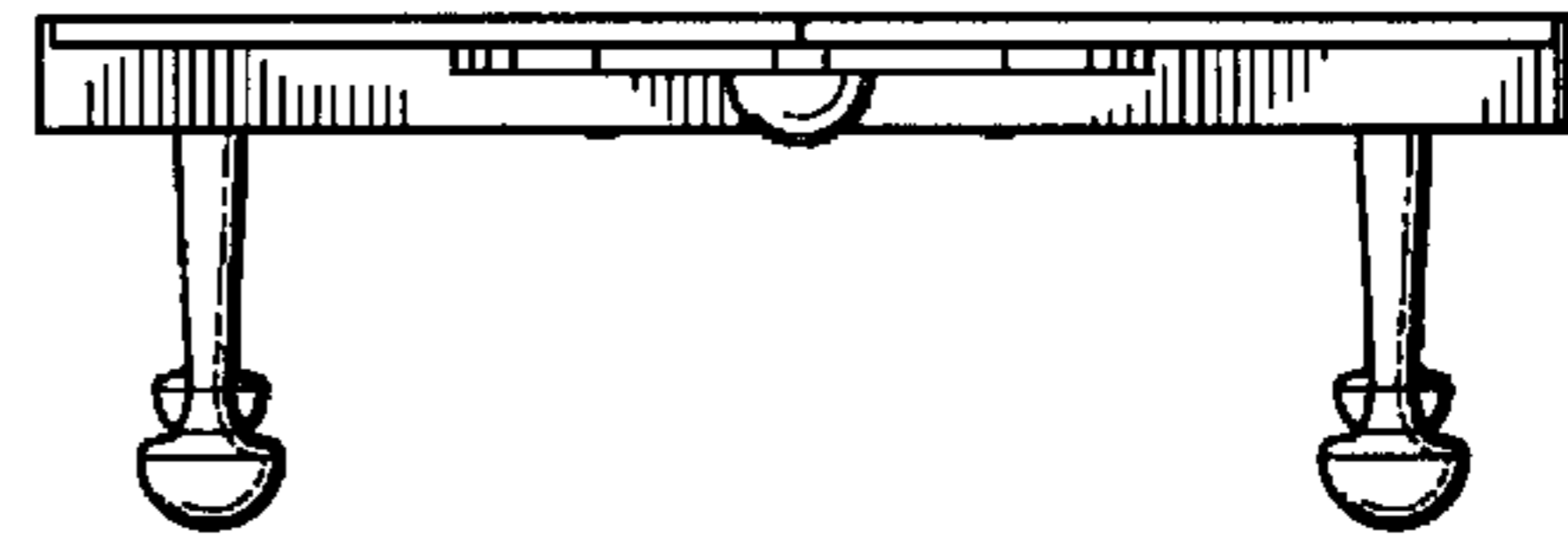
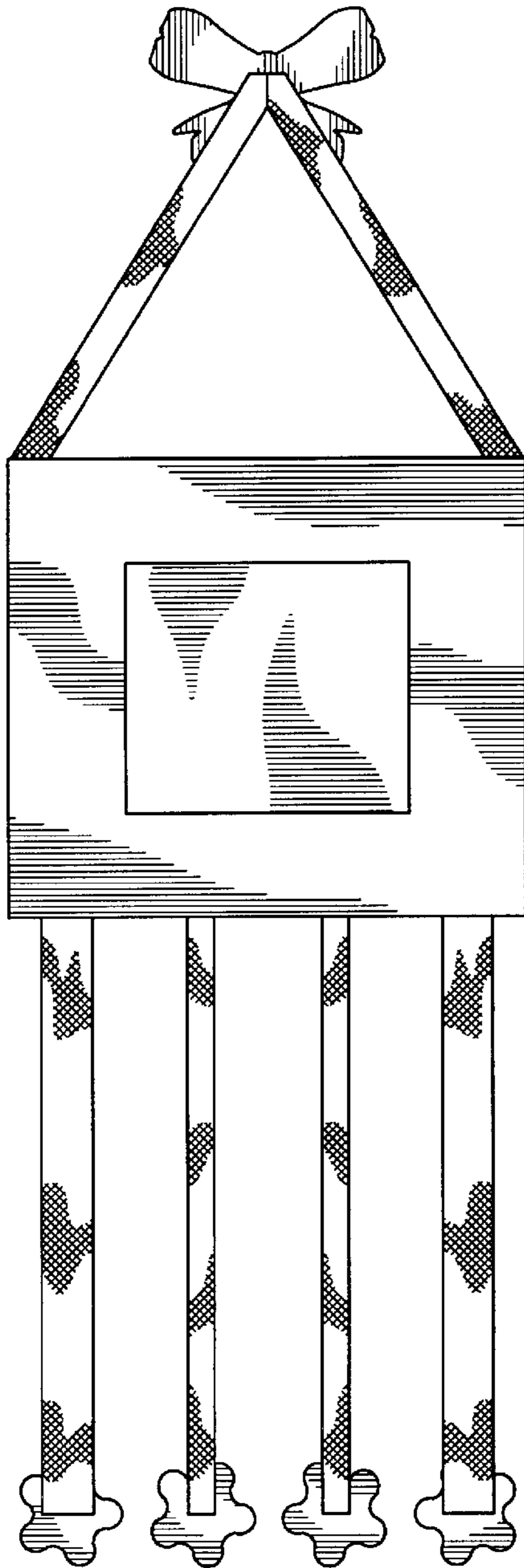


FIG. 5

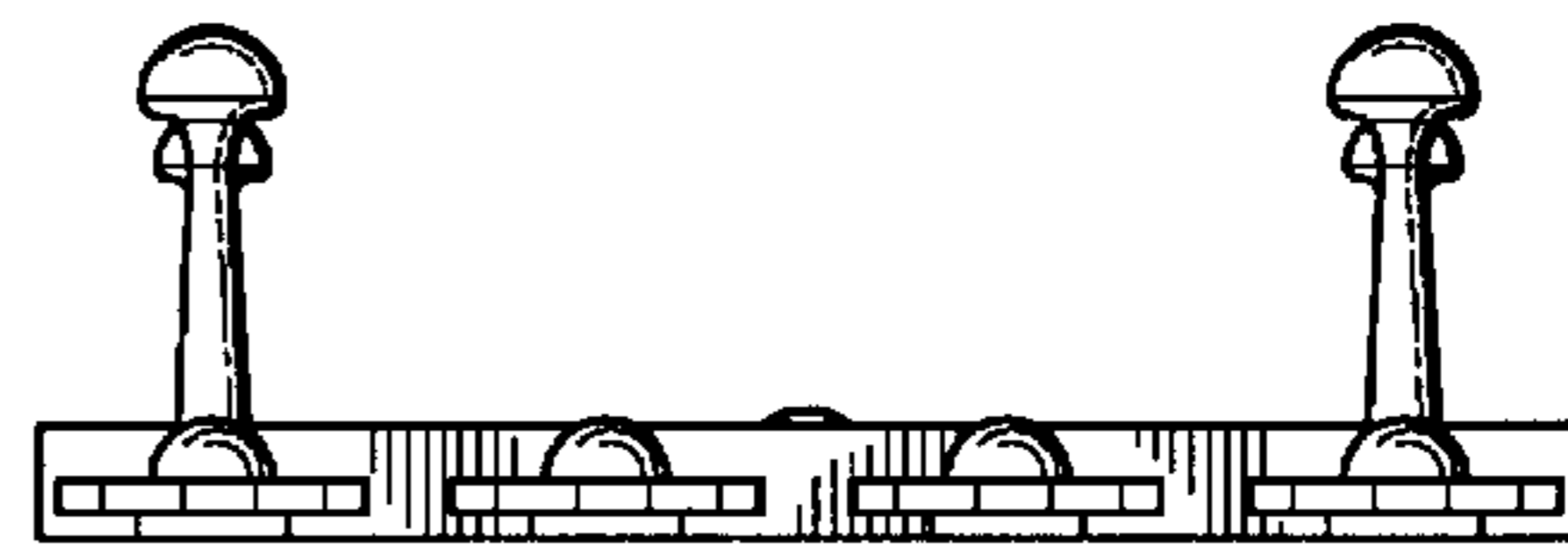


FIG. 6