



US00D485988S

(12) **United States Design Patent**  
**Moon**

(10) **Patent No.:** **US D485,988 S**

(45) **Date of Patent:** **\*\* Feb. 3, 2004**

(54) **LUGGAGE HANDLE**

(76) **Inventor:** **Jerry Moon**, P.O. Box 24-108, Taipei (TW)

(\*\*) **Term:** **14 Years**

(21) **Appl. No.:** **29/176,401**

(22) **Filed:** **Feb. 24, 2003**

(51) **LOC (7) Cl.** ..... **03-99**

(52) **U.S. Cl.** ..... **D3/318**

(58) **Field of Search** ..... D3/216, 217, 238, D3/240, 242, 279, 318; D8/300, 301, 302, 305, 307, 310, 319, 320; D34/24, 26; 16/445, 113.1, 114.1, 405, 422, 425, 429; 190/108, 115, 117, 18 A, 18 R, 119, 39; 224/153, 578, 579, 629; 280/37, 40, 655

(56) **References Cited**

**U.S. PATENT DOCUMENTS**

5,645,146 A \* 7/1997 Bieber et al. .... 280/37 X  
D424,400 S \* 5/2000 Lin ..... D8/319

6,279,705 B1 \* 8/2001 Wu ..... 280/37 X  
6,332,242 B1 \* 12/2001 Chen ..... 280/655 X  
D471,715 S \* 3/2003 Wu ..... D3/318  
2003/0042094 A1 \* 3/2003 Lin et al. .... 16/113.1

\* cited by examiner

*Primary Examiner*—Louis S. Zarfes  
*Assistant Examiner*—Monica A. Weingart

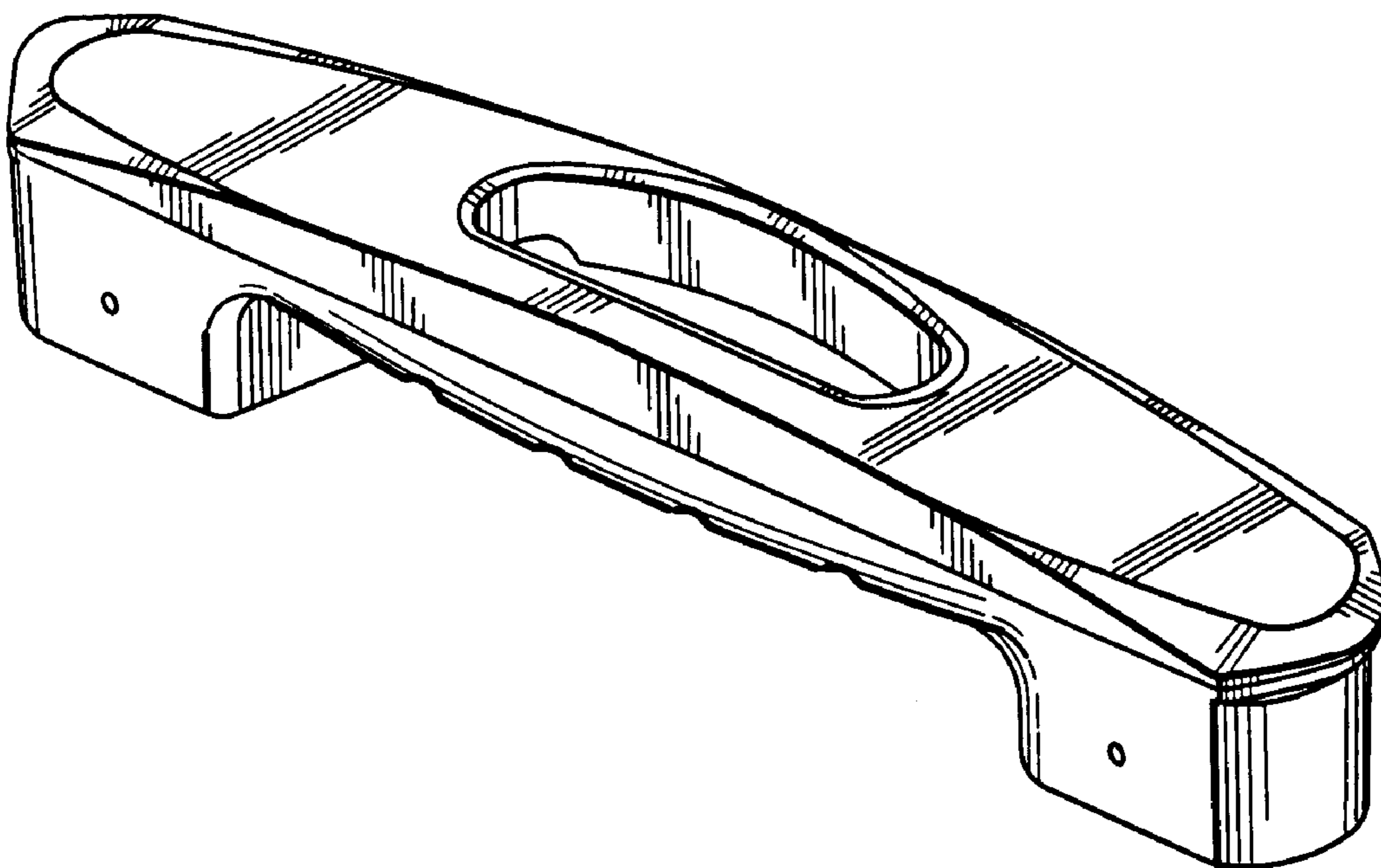
(57) **CLAIM**

The ornamental design for a luggage handle, as shown and described.

**DESCRIPTION**

FIG. 1 is a perspective view of a luggage handle showing my new design;  
FIG. 2 is a front elevational view thereof;  
FIG. 3 is a rear elevational view thereof;  
FIG. 4 is a left side elevational view thereof;  
FIG. 5 is a right side elevational view thereof;  
FIG. 6 is a top plan view thereof; and,  
FIG. 7 is a bottom plan view thereof.

**1 Claim, 3 Drawing Sheets**



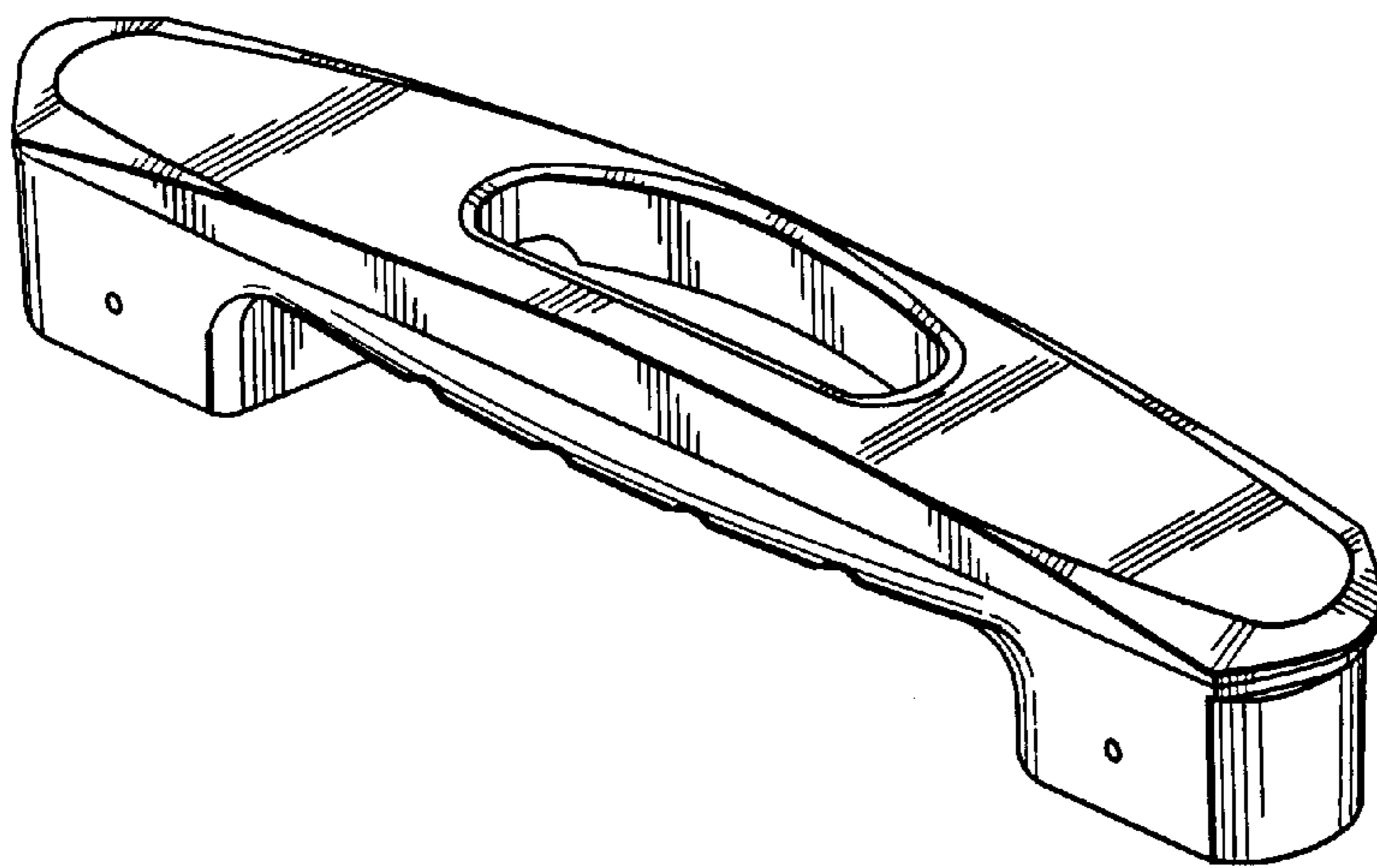


FIG. 1

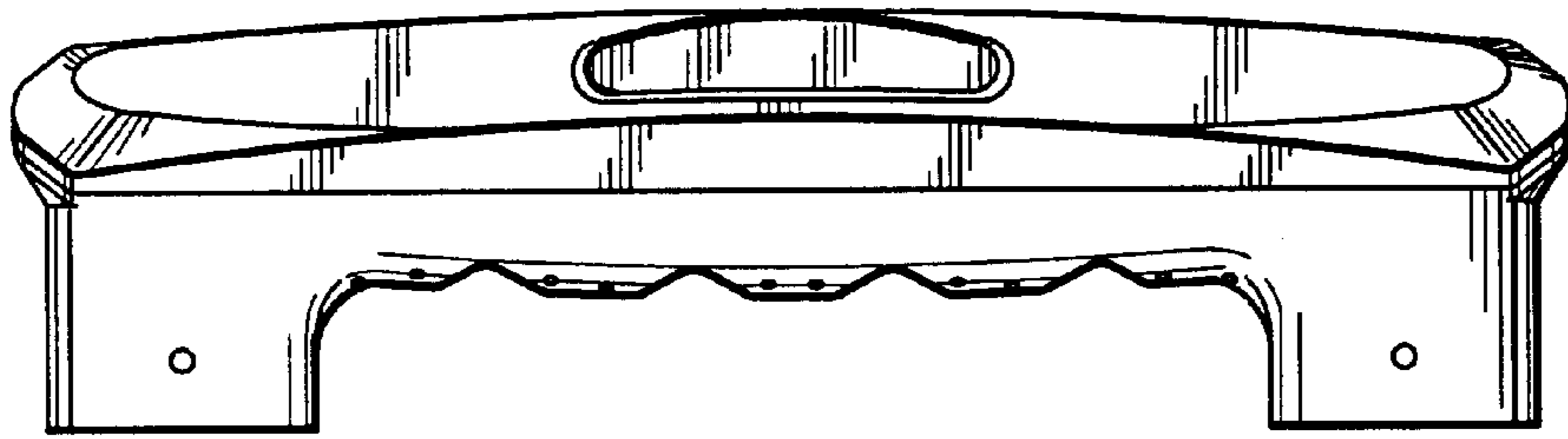


FIG. 2

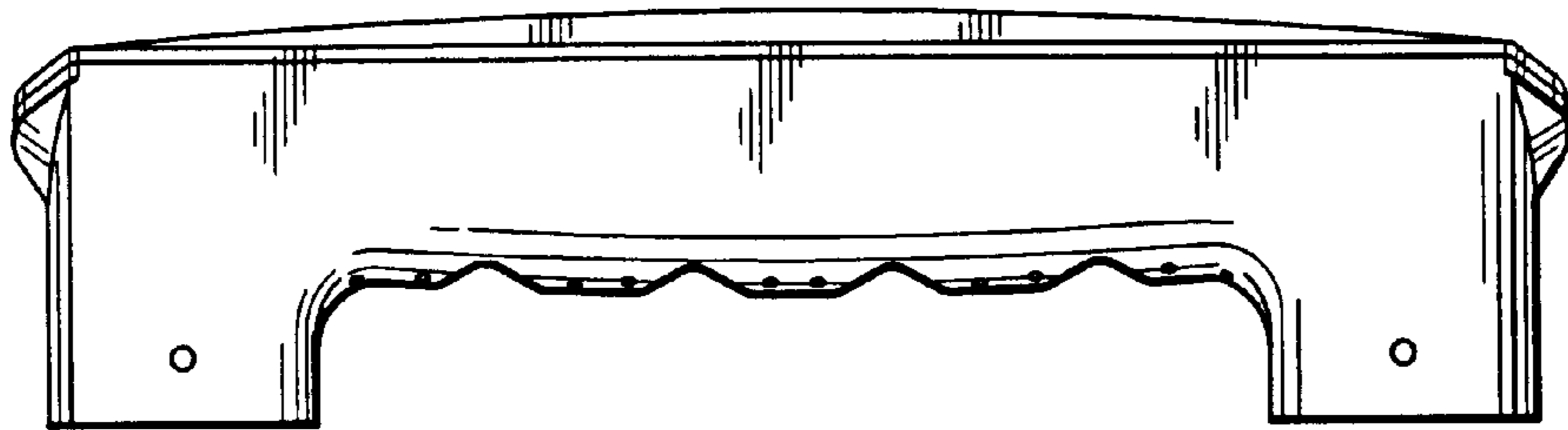


FIG. 3

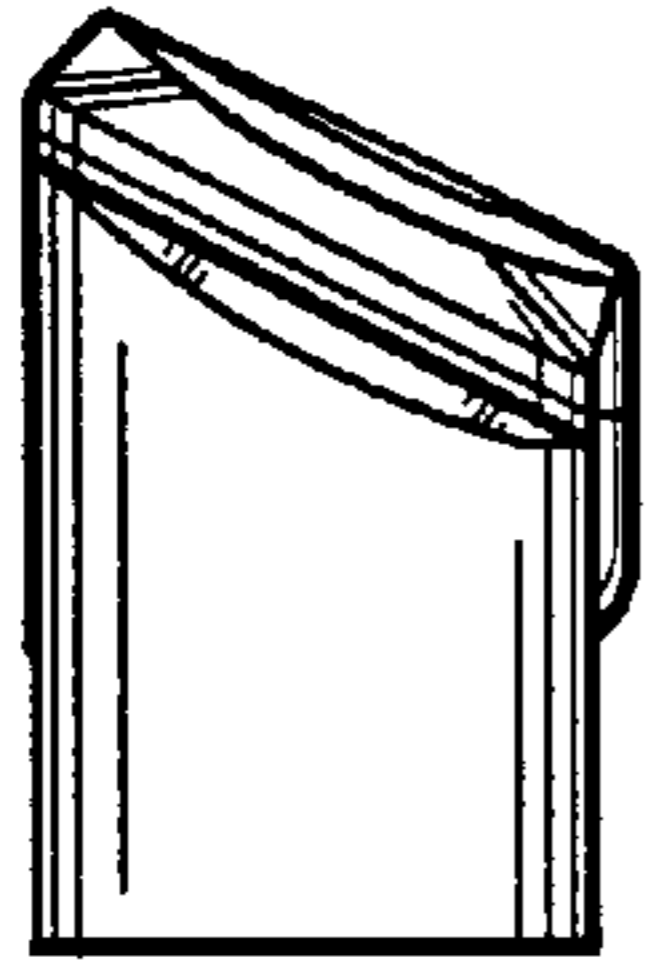


FIG. 4

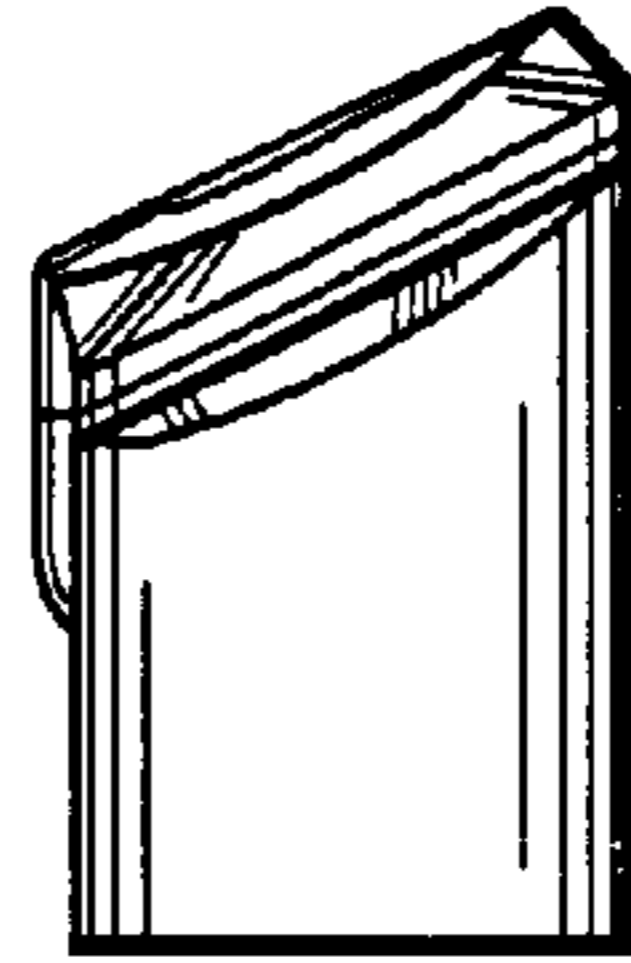


FIG. 5

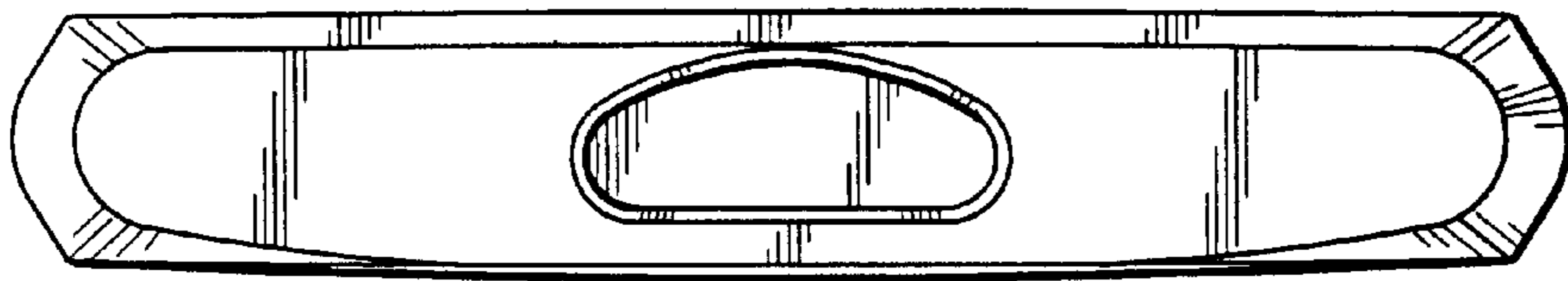


FIG. 6

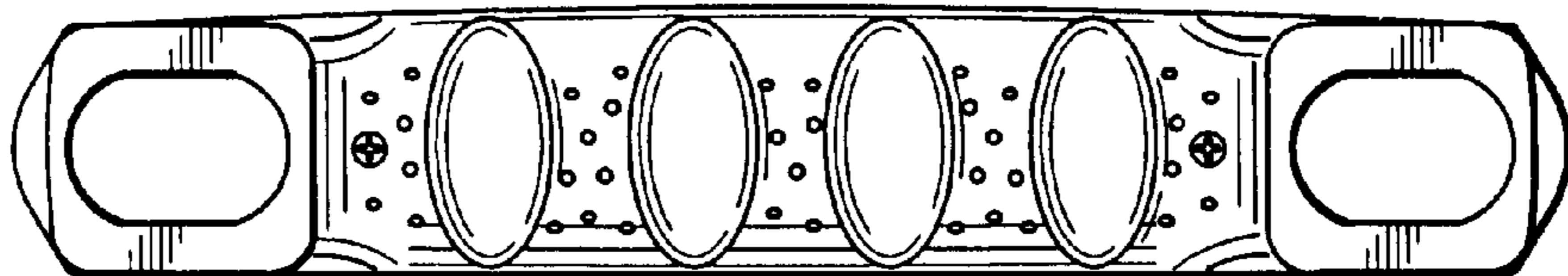


FIG. 7