



US00D485986S

(12) **United States Design Patent**
Lai

(10) **Patent No.:** **US D485,986 S**

(45) **Date of Patent:** **** Feb. 3, 2004**

(54) **SPORTS ARTICLE BAG**

(76) **Inventor:** **Allen Lai**, No. 5, 210 Lane, Ho-Ping Rd., Tai-Tsu Hsiang, Taichung Hsien (TW)

(**) **Term:** **14 Years**

(21) **Appl. No.:** **29/177,385**

(22) **Filed:** **Mar. 11, 2003**

(51) **LOC (7) Cl.** **03-01**

(52) **U.S. Cl.** **D3/255**

(58) **Field of Search** D3/254, 255, 279;
206/315.3, 315.4, 315.5, 315.6, 315.7, 315.8;
150/159

(56) **References Cited**

U.S. PATENT DOCUMENTS

D364,737 S	*	12/1995	Perrin	D3/255
D412,060 S	*	7/1999	Reimers	D3/255
D421,838 S	*	3/2000	Bradshaw et al.	D3/255
D422,137 S	*	4/2000	Reimers	D3/255

6,148,999 A	*	11/2000	Olson	206/315.4
D453,875 S	*	2/2002	Schmitt, Jr.	D3/255
6,520,327 B1	*	2/2003	Boardman et al.	206/315.4

* cited by examiner

Primary Examiner—Philip S. Hyder

(74) *Attorney, Agent, or Firm*—Rosenberg, Klein & Lee

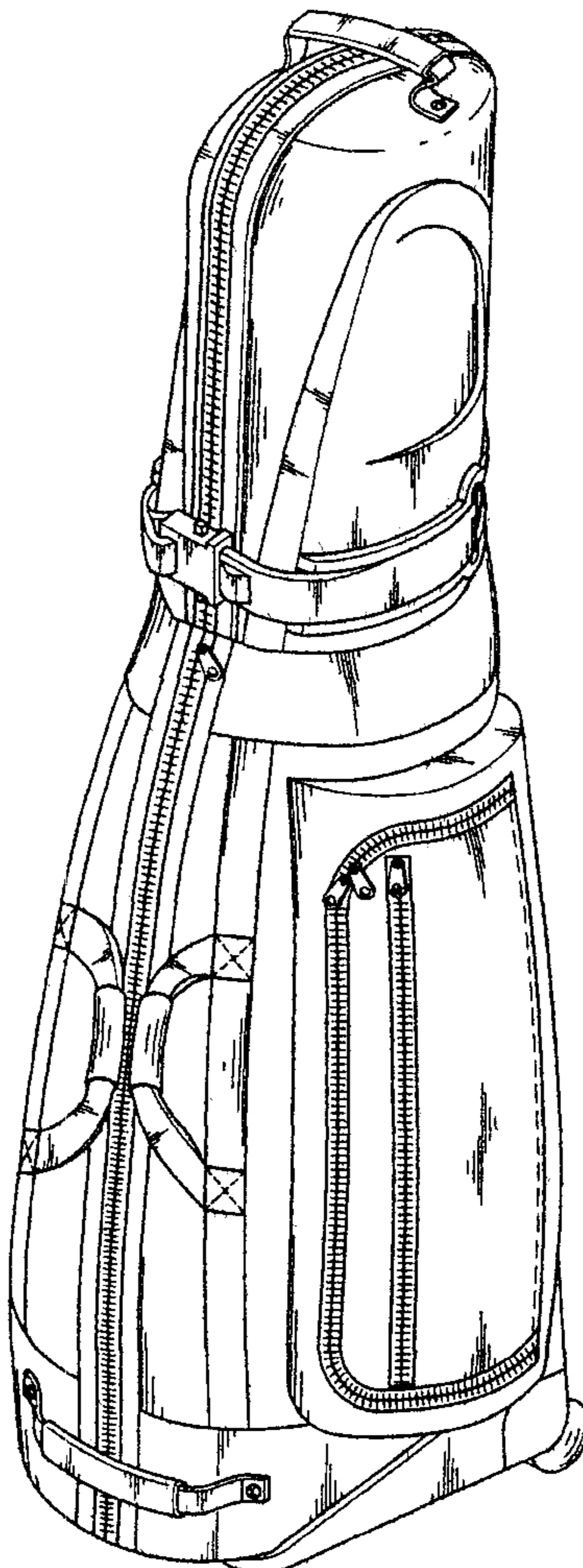
(57) **CLAIM**

The ornamental design for a sports article bag, as shown and described.

DESCRIPTION

FIG. 1 is a perspective view of a sports article bag showing my new design;
FIG. 2 is a front elevational view thereof;
FIG. 3 is a rear elevational view thereof;
FIG. 4 is a left side view thereof;
FIG. 5 is a right side view thereof;
FIG. 6 is a top plan view thereof; and,
FIG. 7 is a bottom plan view thereof.

1 Claim, 7 Drawing Sheets



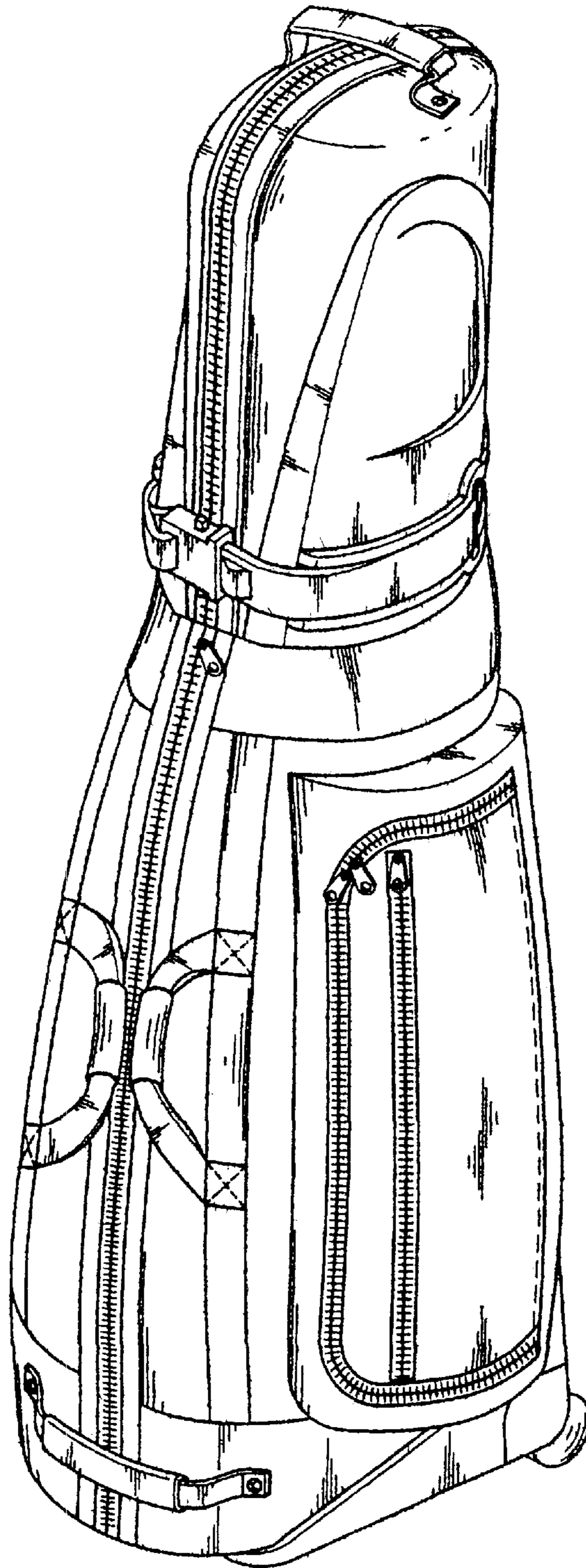


FIG. 1

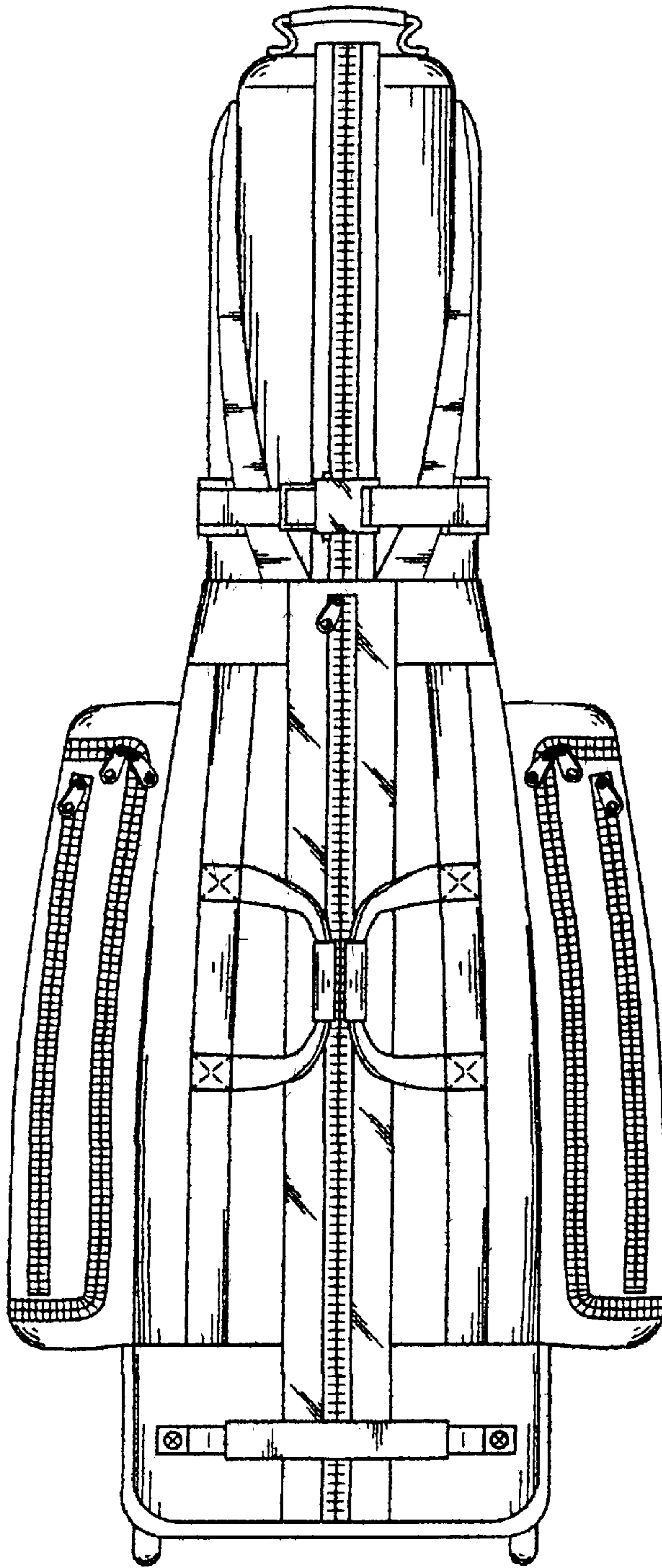


FIG. 2

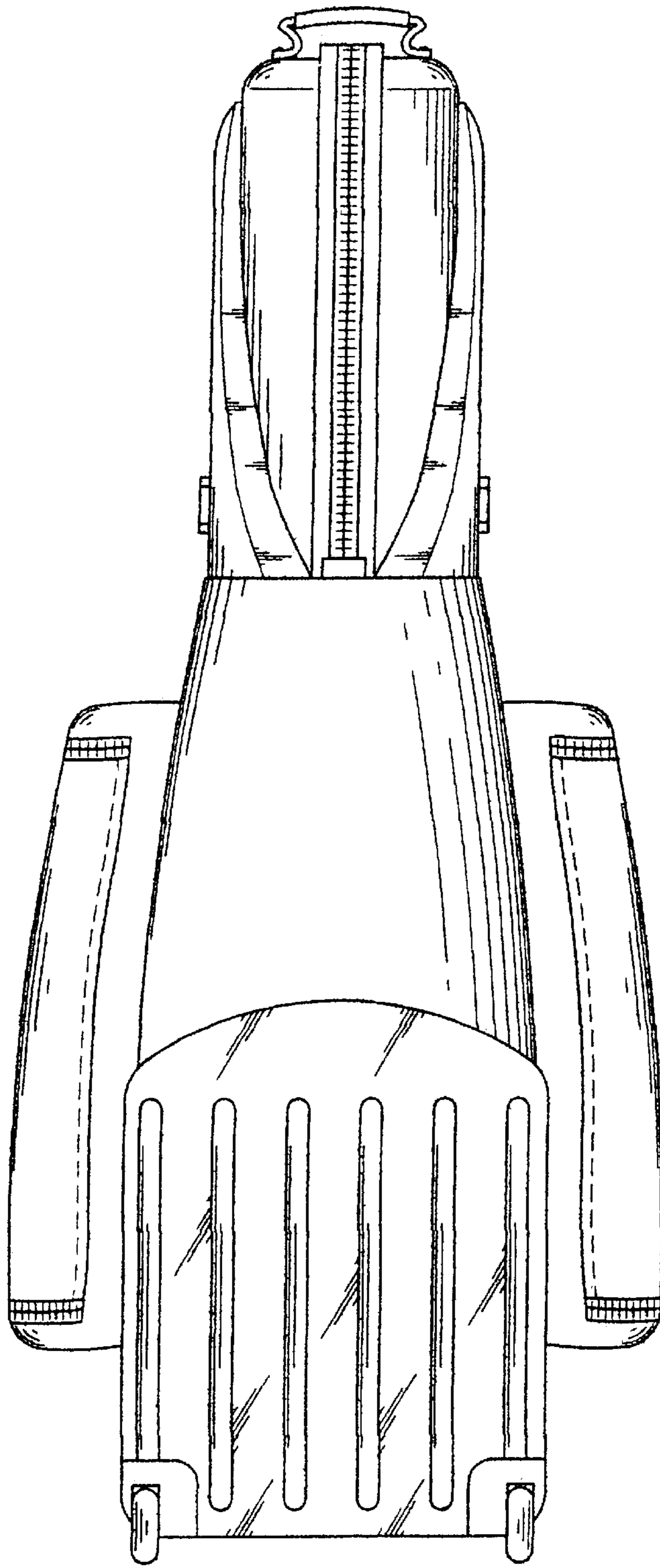


FIG. 3

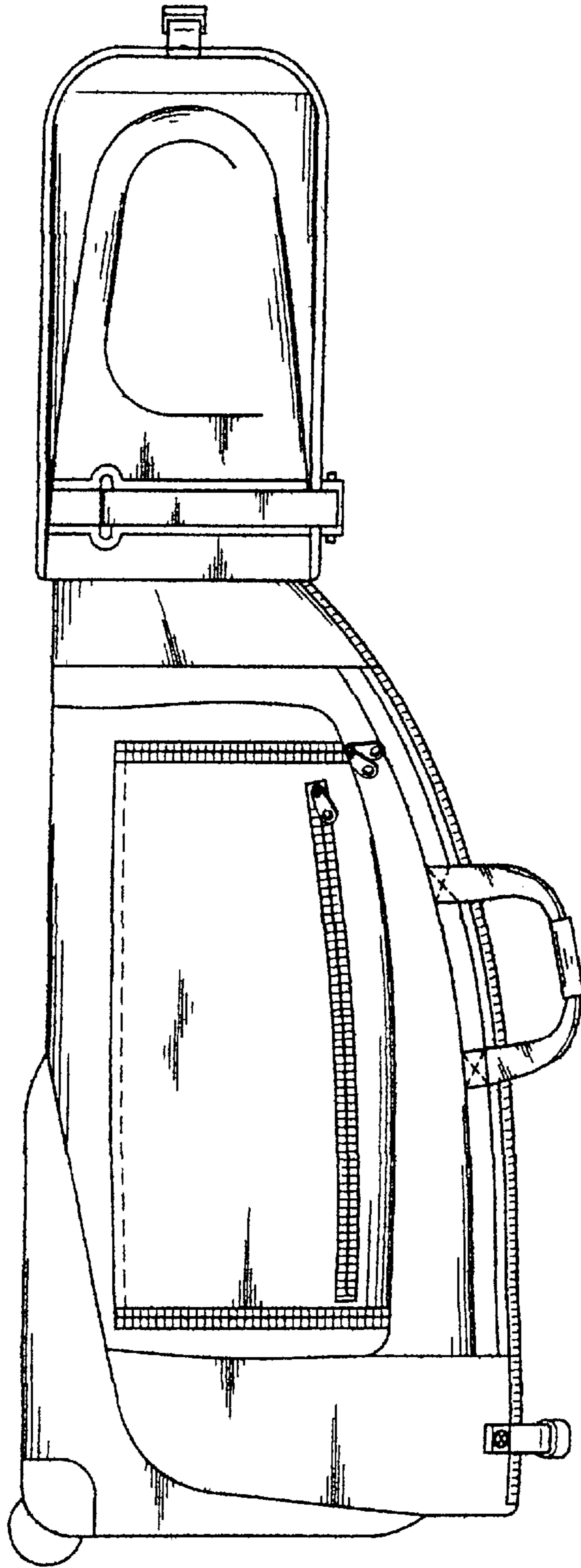


FIG. 4

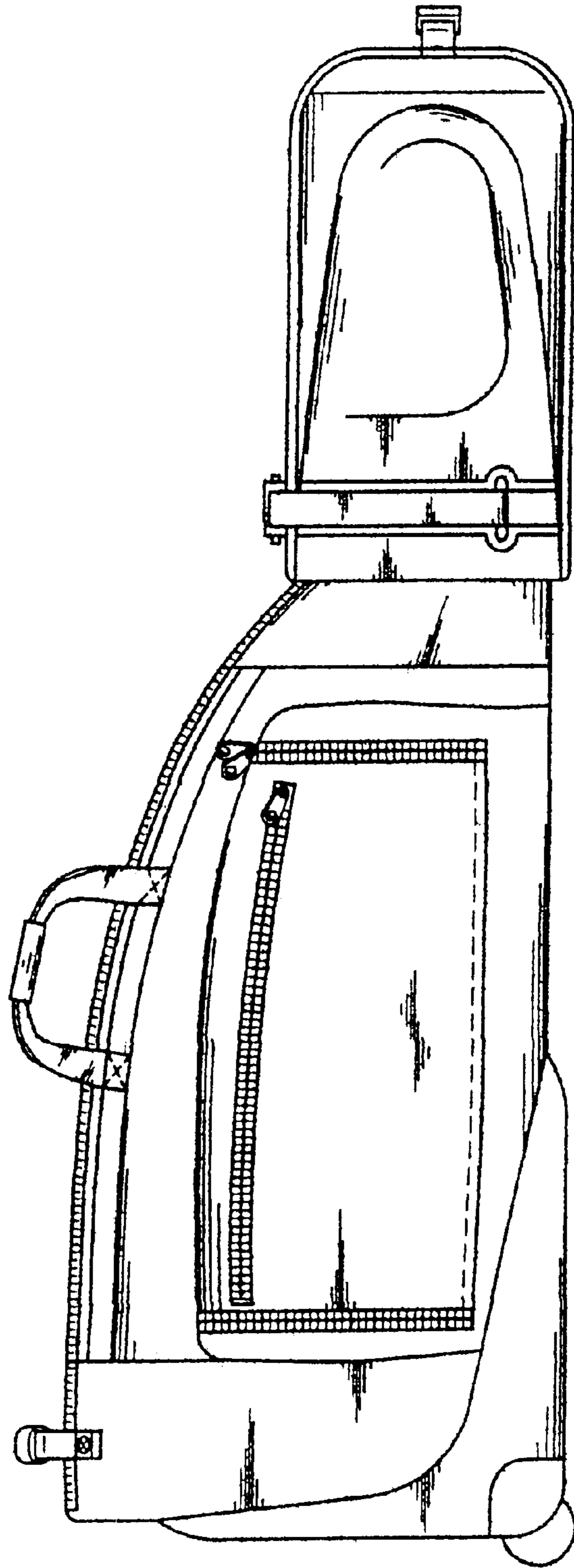


FIG. 5

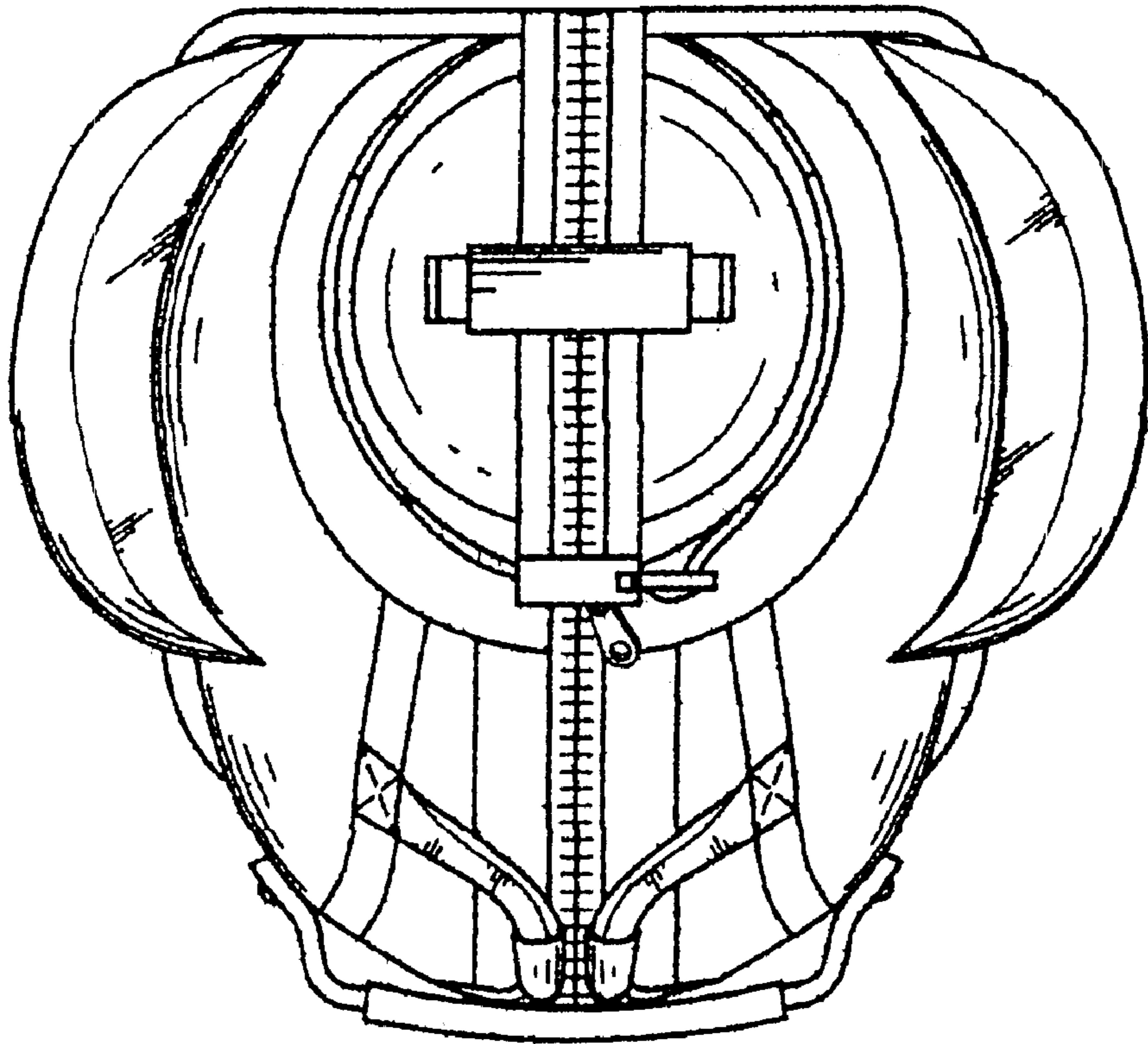


FIG. 6

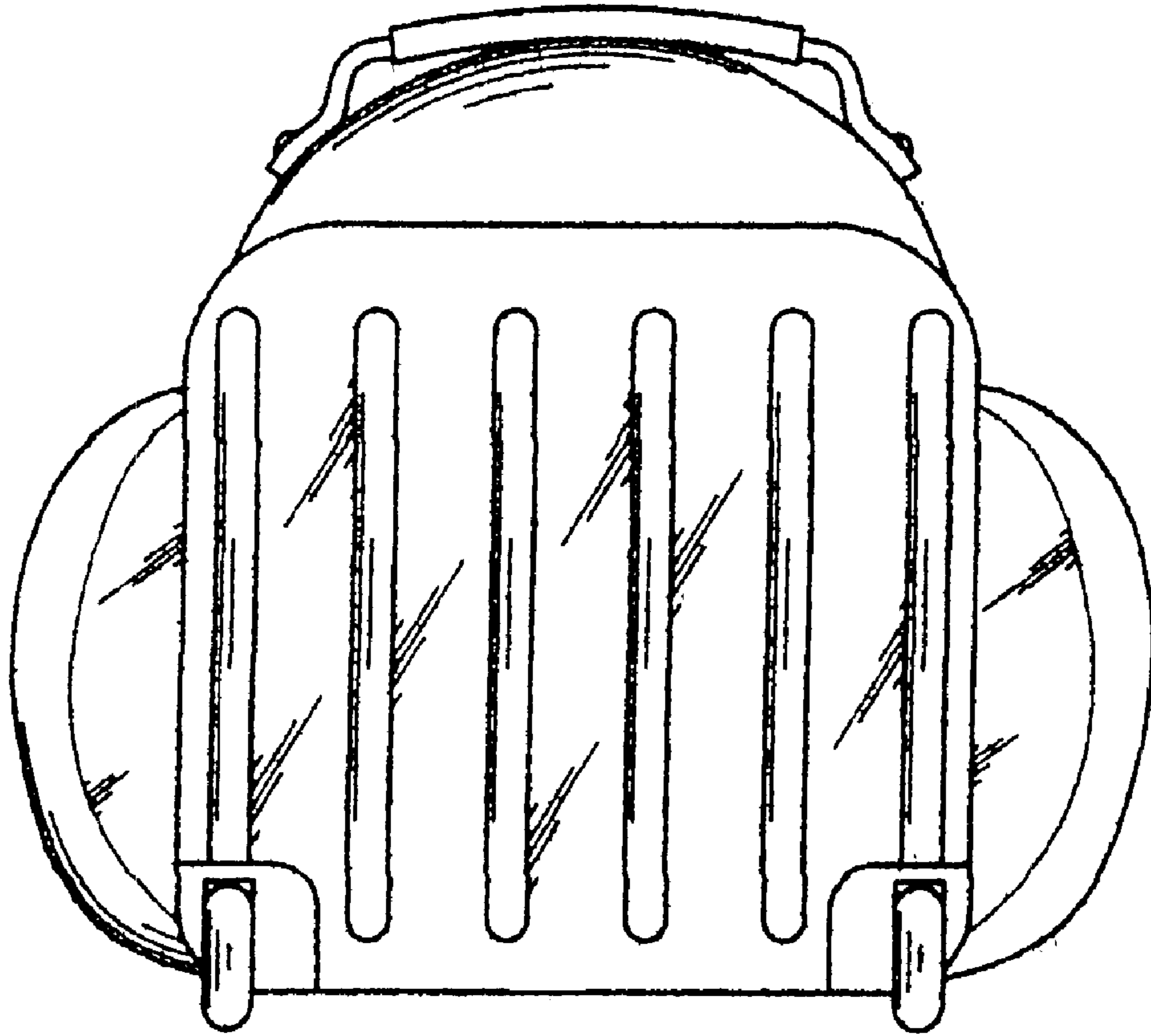


FIG. 7