



US00D485985S

(12) **United States Design Patent**
Hogan

(10) **Patent No.:** **US D485,985 S**

(45) **Date of Patent:** **** Feb. 3, 2004**

(54) **TICKET/PASS AND IDENTIFICATION HOLDER**

(76) Inventor: **Maurice T. Hogan**, 2609 Chapel Wood Ter., Columbia, MO (US) 65203

(**) Term: **14 Years**

(21) Appl. No.: **29/170,386**

(22) Filed: **Nov. 6, 2002**

(51) **LOC (7) Cl.** **03-01**

(52) **U.S. Cl.** **D3/247**

(58) **Field of Search** D3/201, 247, 248, D3/249, 250; 150/147, 148, 149, 150, 151, 152; 283/109; 116/321; 340/568.7; 40/1.5, 1.6, 654.01; 206/232, 37, 38, 39.5, 39.6, 39, 449

(56) **References Cited**

U.S. PATENT DOCUMENTS

3,464,135	A	*	9/1969	Eidinger	206/232
3,657,834	A	*	4/1972	Tauber	40/1.5
4,878,580	A	*	11/1989	Johnston	206/232 X
4,909,383	A	*	3/1990	Gross	206/39
5,850,705	A	*	12/1998	Groh	40/654.01 X
6,109,439	A	*	8/2000	Goade, Sr.	206/37 X

OTHER PUBLICATIONS

Travelon Identification and Boarding Pass Holder (see attached photocopy of packaging).

Southwest ID and Ticket Holder (see attached photo and photocopy of brochure).

* cited by examiner

Primary Examiner—Louis S. Zarfes

Assistant Examiner—Monica A. Weingart

(74) *Attorney, Agent, or Firm*—Shook, Hardy & Bacon L.L.P.

(57) **CLAIM**

The ornamental design for a ticket/pass and identification holder, as shown and described.

DESCRIPTION

FIG. 1 is a perspective view of a ticket/pass and identification holder embodying the design of my invention;

FIG. 2 is a top plan view thereof;

FIG. 3 is a left side elevational view thereof;

FIG. 4 is a bottom plan view thereof; and

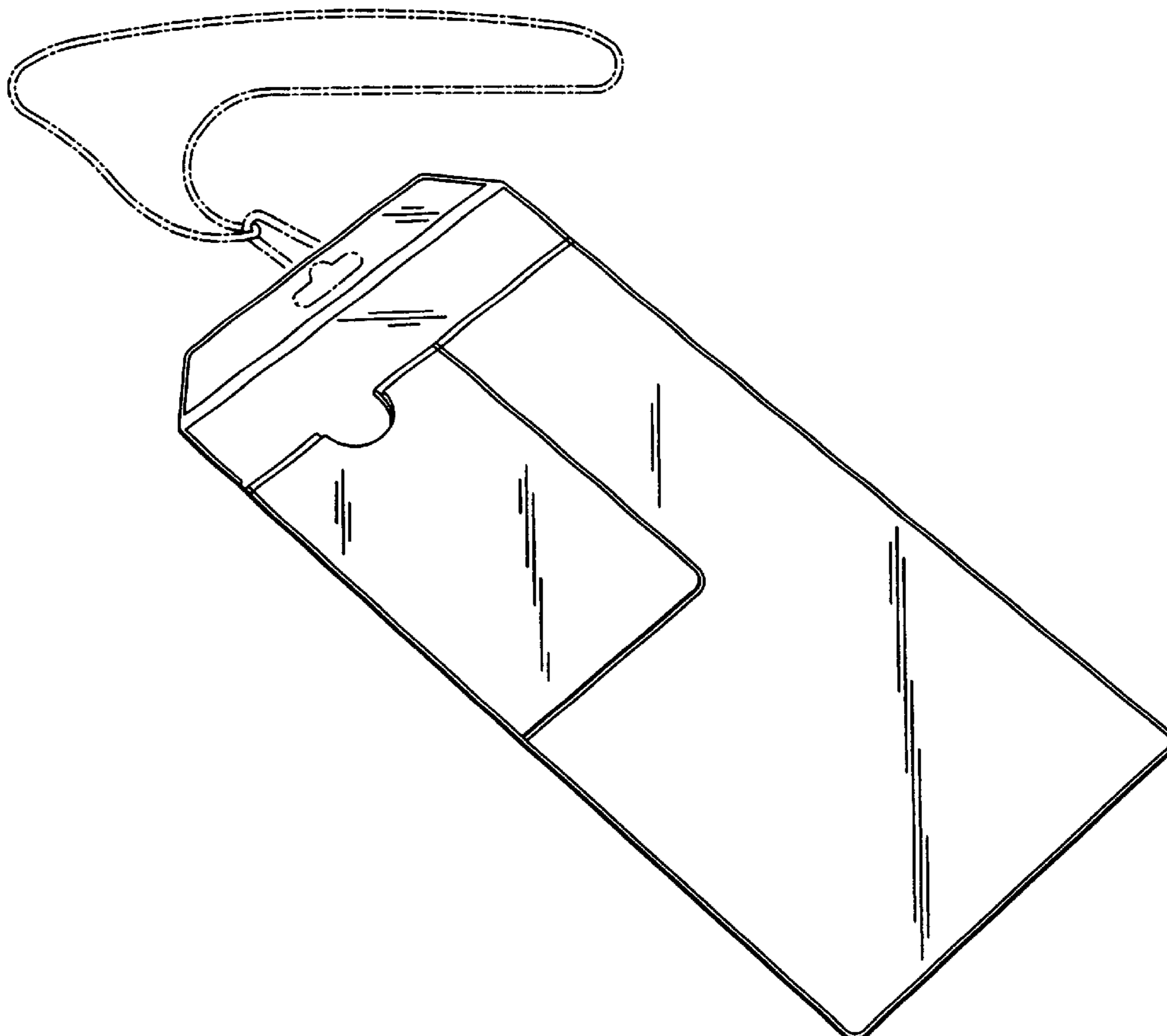
FIG. 5 is a right side elevational view thereof;

FIG. 6 is an enlarged rear end elevational view; and,

FIG. 7 is an enlarged front end elevational view thereof.

The broken lines are for illustrative purposes only and are not part of the claimed design.

1 Claim, 2 Drawing Sheets



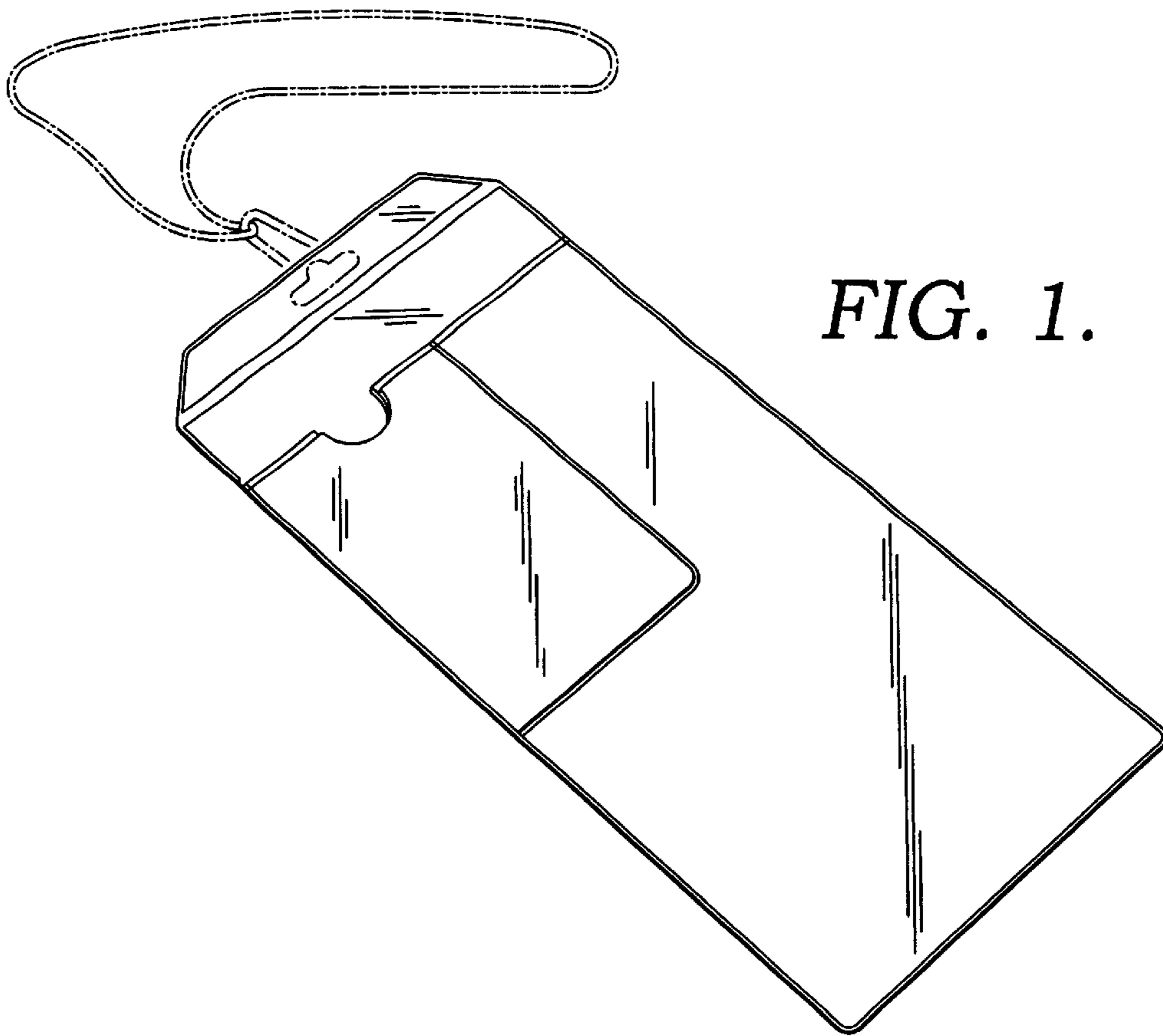


FIG. 1.

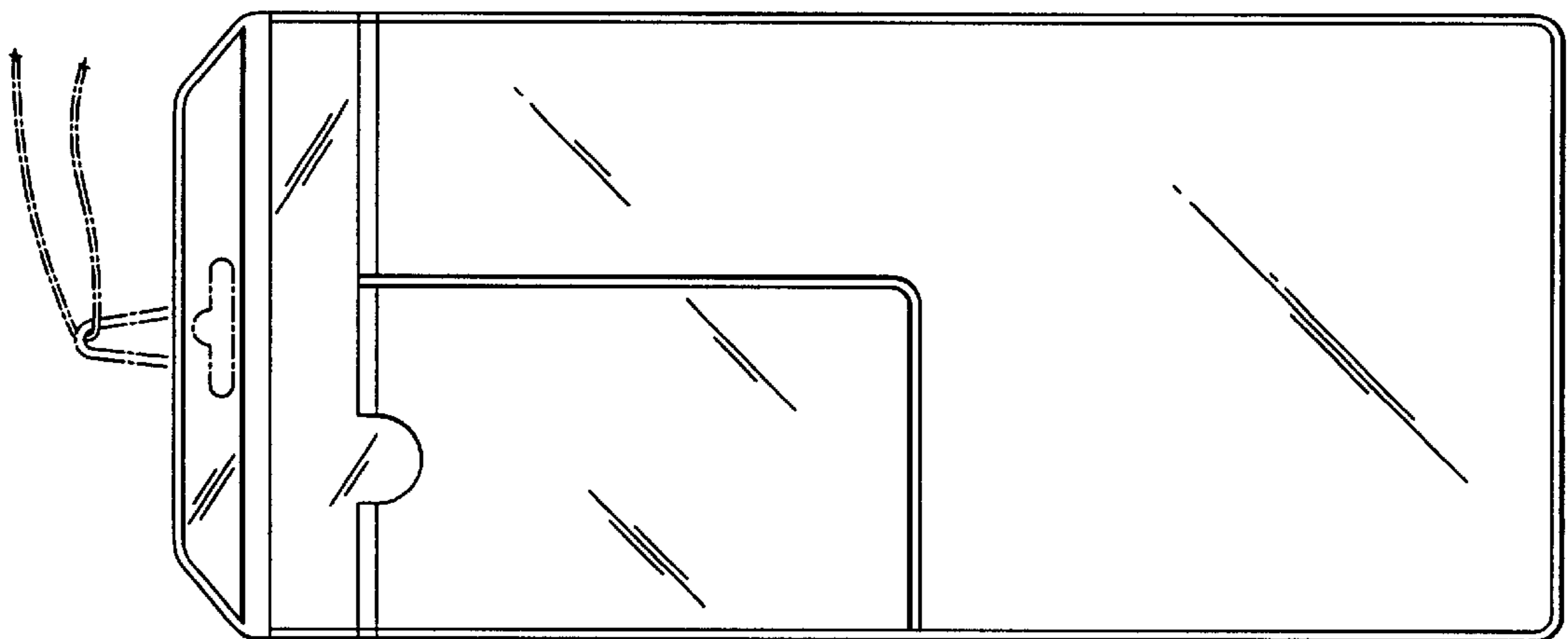


FIG. 2.

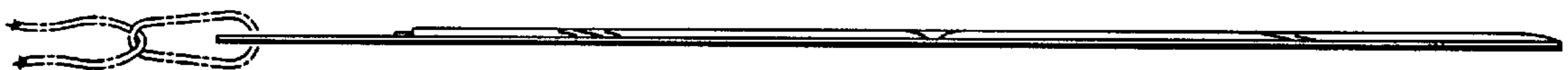


FIG. 3.

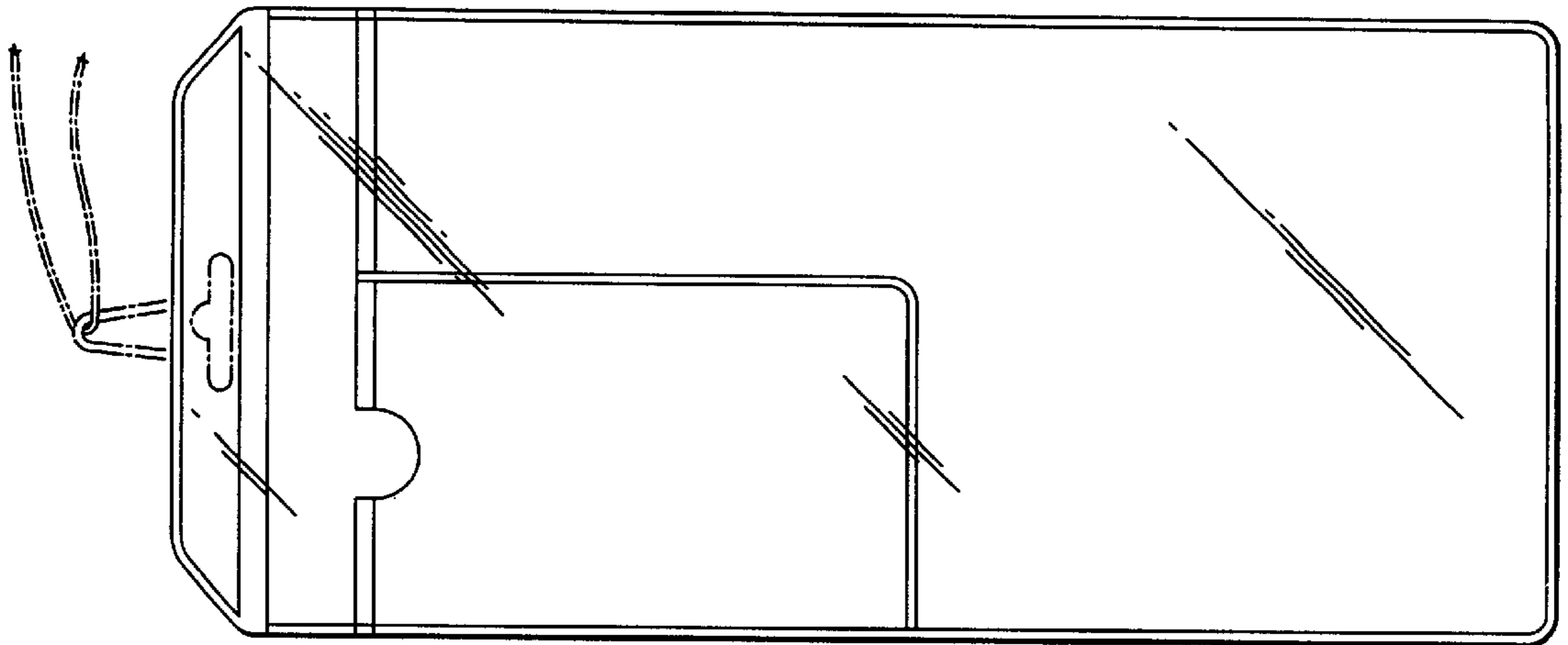


FIG. 4.

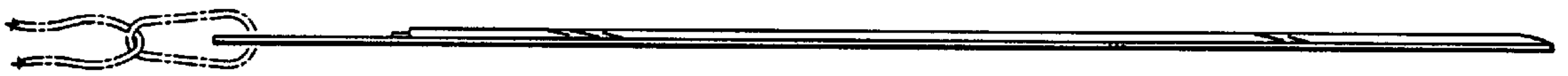


FIG. 5.



FIG. 6.



FIG. 7.