



US00D485982S

(12) **United States Design Patent**  
**Merkel et al.**

(10) **Patent No.:** **US D485,982 S**

(45) **Date of Patent:** **\*\* Feb. 3, 2004**

(54) **SLIP ON POCKET**

(76) Inventors: **Kristin Merkel**, 10650 Highland La.,  
Olathe, KS (US) 66061; **Lindsey Scholl**, 6728 S. Niagara Ct., Centennial,  
CO (US) 80112

(\*\*) Term: **14 Years**

(21) Appl. No.: **29/170,422**

(22) Filed: **Nov. 6, 2002**

(51) **LOC (7) Cl.** ..... **03-01**

(52) **U.S. Cl.** ..... **D3/226**

(58) **Field of Search** ..... D3/226, 215, 224,  
D3/219, 228, 232, 233, 247, 248, 230,  
251, 201; 224/251, 240, 245; 206/313;  
2/247, 69, 251; D2/629, 857

(56) **References Cited**

**U.S. PATENT DOCUMENTS**

|           |   |   |        |               |       |         |
|-----------|---|---|--------|---------------|-------|---------|
| 2,474,495 | A | * | 6/1949 | Pollack       | ..... | 224/245 |
| 4,139,914 | A | * | 2/1979 | Tarr          | ..... | 2/247   |
| D265,021  | S | * | 6/1982 | Hayman et al. | ..... | D3/247  |
| D266,205  | S | * | 9/1982 | Berman        | ..... | D3/219  |
| 4,602,390 | A | * | 7/1986 | Morera et al. | ..... | 2/251   |
| 4,731,883 | A | * | 3/1988 | Foster        | ..... | 2/69    |

|           |    |   |         |           |       |         |
|-----------|----|---|---------|-----------|-------|---------|
| D304,781  | S  | * | 11/1989 | Hanson    | ..... | D3/226  |
| 5,724,698 | A  | * | 3/1998  | Mondragon | ..... | 2/247   |
| D398,445  | S  | * | 9/1998  | Smith     | ..... | 2/247   |
| 5,964,386 | A  |   | 10/1999 | Cote      | ..... | 224/250 |
| 6,321,958 | B1 |   | 11/2001 | Erdmann   | ..... | 224/236 |

\* cited by examiner

*Primary Examiner*—Catherine R. Oliver  
(74) *Attorney, Agent, or Firm*—Shook, Hardy & Bacon  
LLP

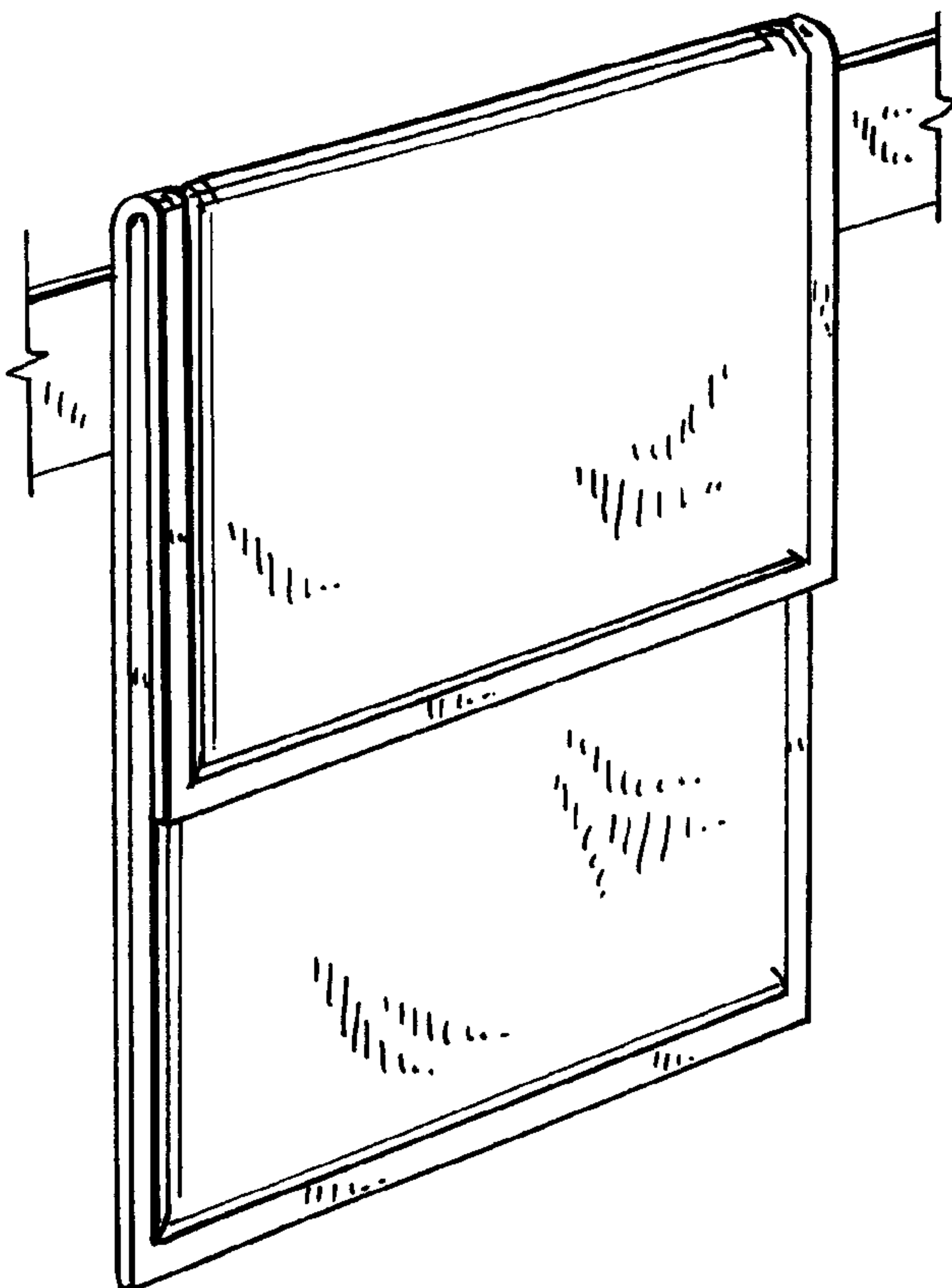
(57) **CLAIM**

The ornamental design for a slip on pocket, as shown and described.

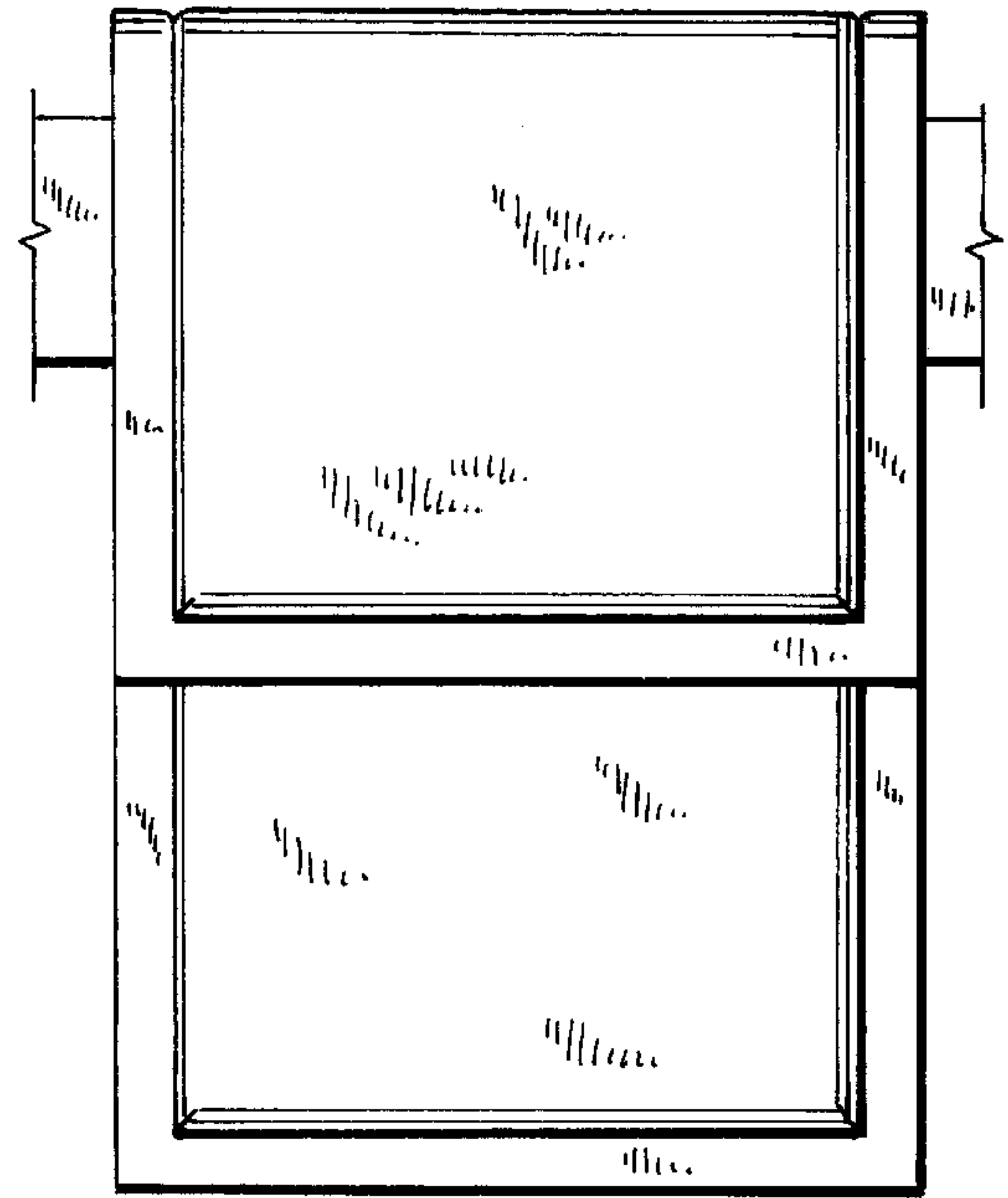
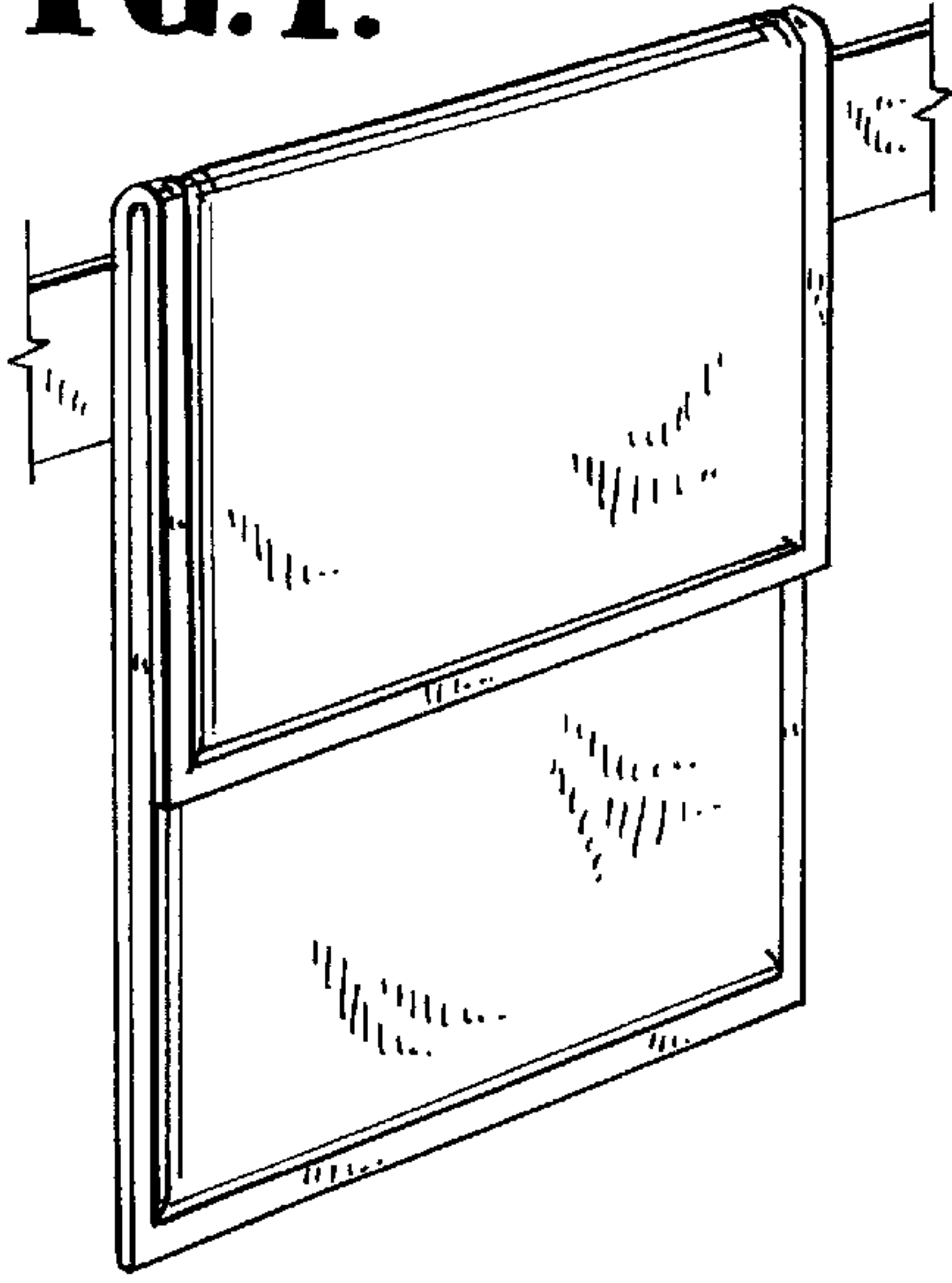
**DESCRIPTION**

FIG. 1 is a perspective view of a slip on pocket embodying the invention;  
FIG. 2 is a front elevational view thereof;  
FIG. 3 is a top plan view thereof;  
FIG. 4 is a bottom plan view thereof;  
FIG. 5 is a rear elevational view thereof; and,  
FIG. 6 is a side elevational view thereof.  
The strap is shown broken away for convenience of illustration.

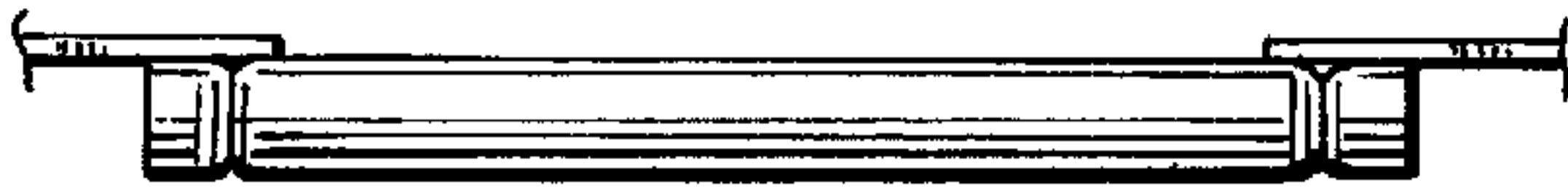
**1 Claim, 1 Drawing Sheet**



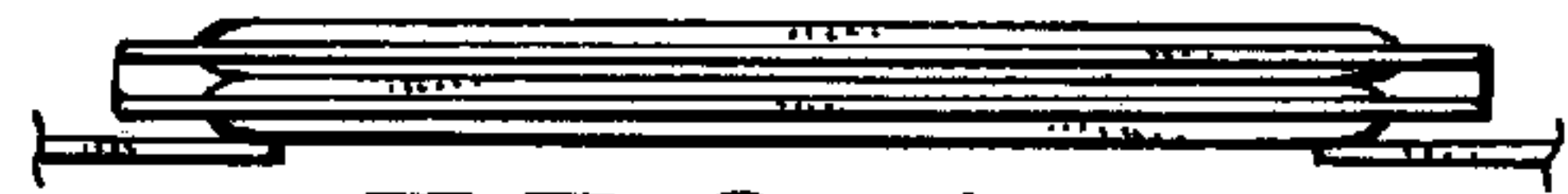
**FIG. 1.**



**FIG. 3.**

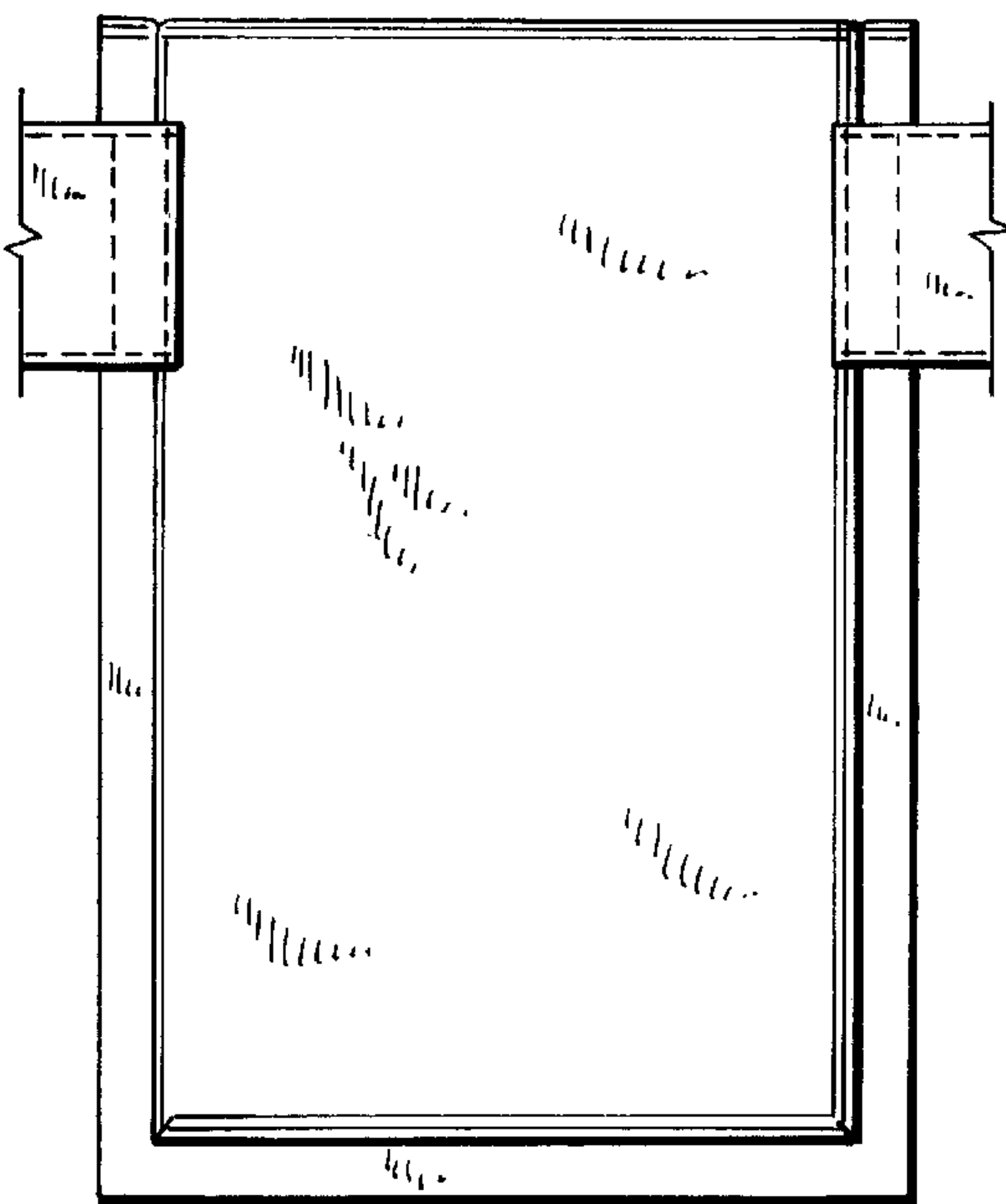


**FIG. 2.**



**FIG. 4.**

**FIG. 5.**



**FIG. 6.**

