



US00D485981S

(12) **United States Design Patent**
Romero

(10) **Patent No.:** **US D485,981 S**

(45) **Date of Patent:** **** Feb. 3, 2004**

(54) **RETRACTABLE LIGHTER HOLDER**

D471,005 S * 3/2003 Hastings D3/215
D478,722 S * 8/2003 Parker D3/215

(76) Inventor: **Doreen Romero**, 1154 Barona Rd.,
Lakeside, CA (US) 92040

* cited by examiner

(**) Term: **14 Years**

Primary Examiner—Catherine R. Oliver

(21) Appl. No.: **29/181,892**

(57) **CLAIM**

(22) Filed: **May 15, 2003**

The ornamental design for a retractable lighter holder, as shown and described.

(51) **LOC (7) Cl.** **03-01**

DESCRIPTION

(52) **U.S. Cl.** **D3/215**

(58) **Field of Search** D3/215, 221, 228,
D3/229; 24/3.11, 3.13, 3.12; 431/253, 153;
D8/33-43; D27/142, 130

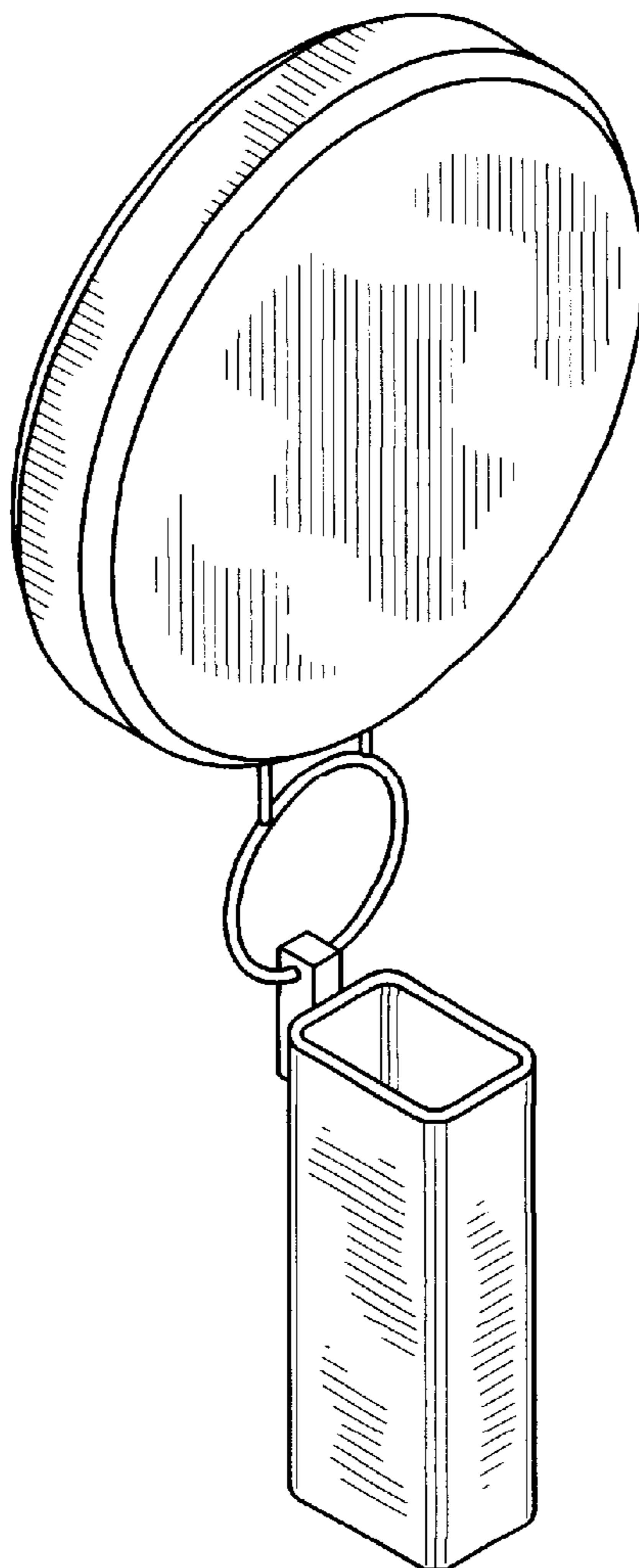
FIG. 1 is a front elevational view of a retractable lighter holder showing my new design;
FIG. 2 is a rear elevational view thereof;
FIG. 3 is a side view, taken from the left side of FIG. 1, the right side view being a mirror image thereof;
FIG. 4 is a top plan view thereof;
FIG. 5 is a bottom plan view thereof; and,
FIG. 6 is a perspective view thereof.

(56) **References Cited**

U.S. PATENT DOCUMENTS

5,026,274 A * 6/1991 Jacob 431/253
D458,098 S * 6/2002 Hastings D8/34
D465,645 S * 11/2002 Lombardo et al. D3/215

1 Claim, 3 Drawing Sheets



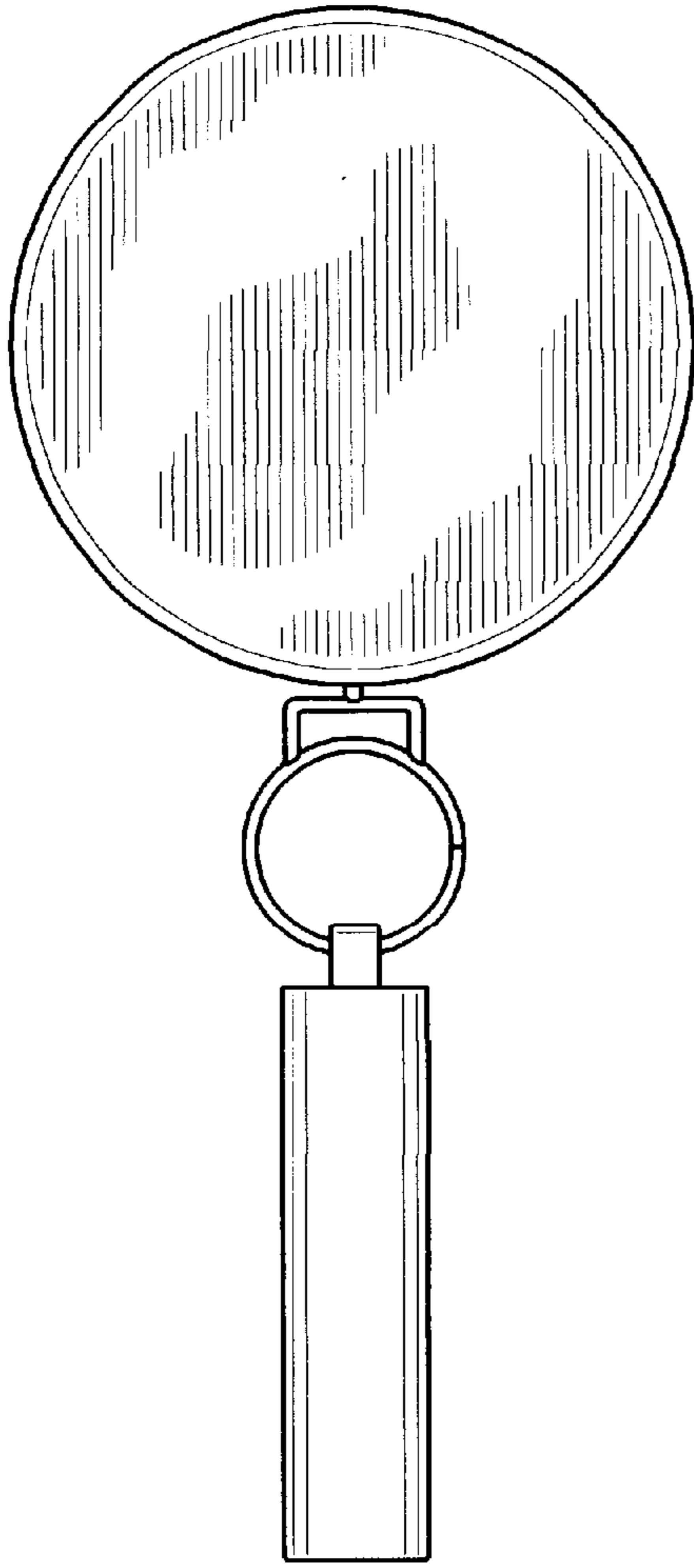


FIG. 1

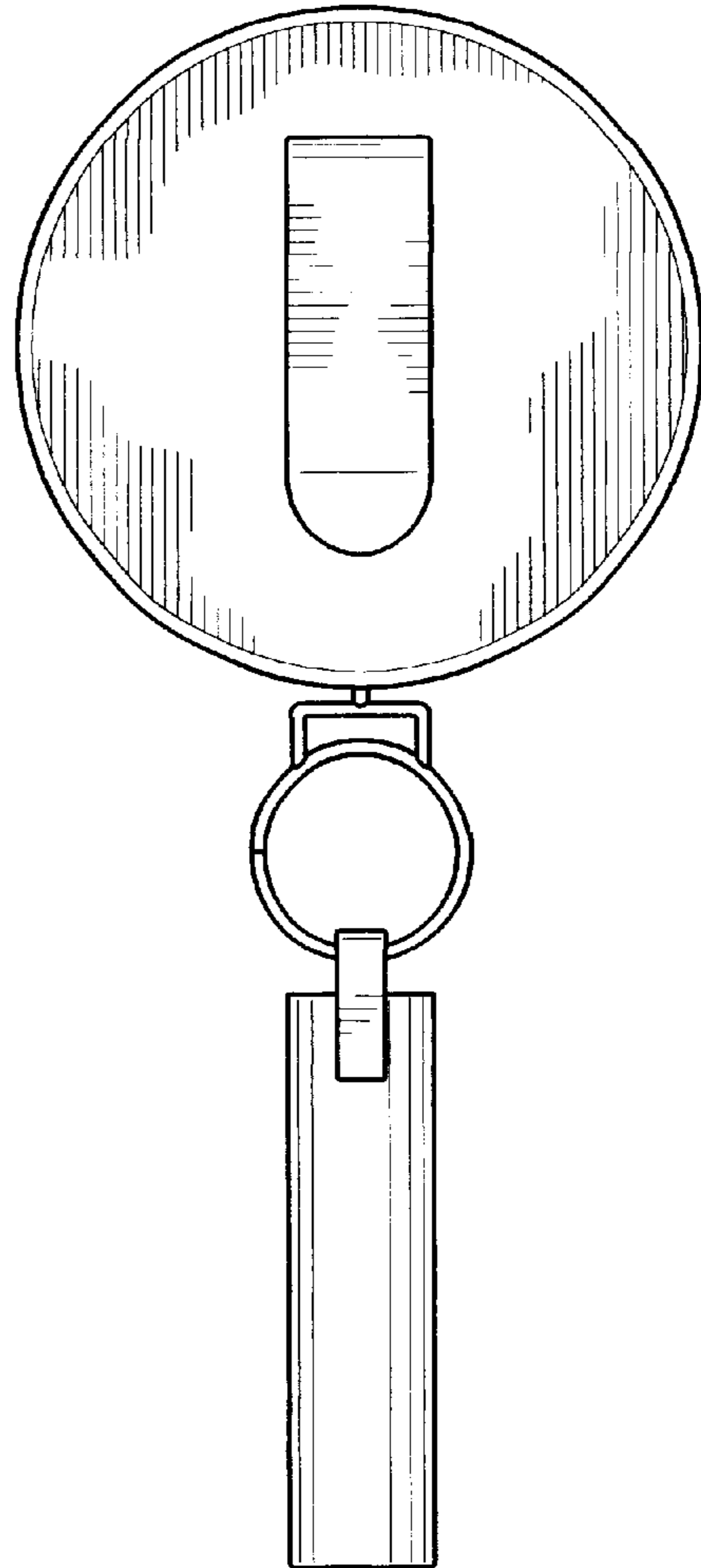


FIG. 2

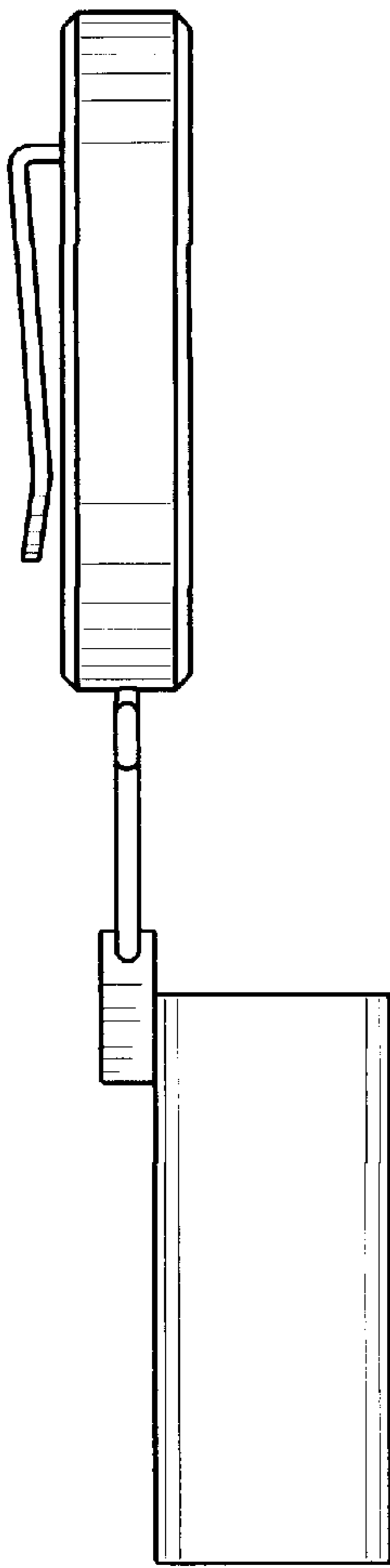


FIG. 3

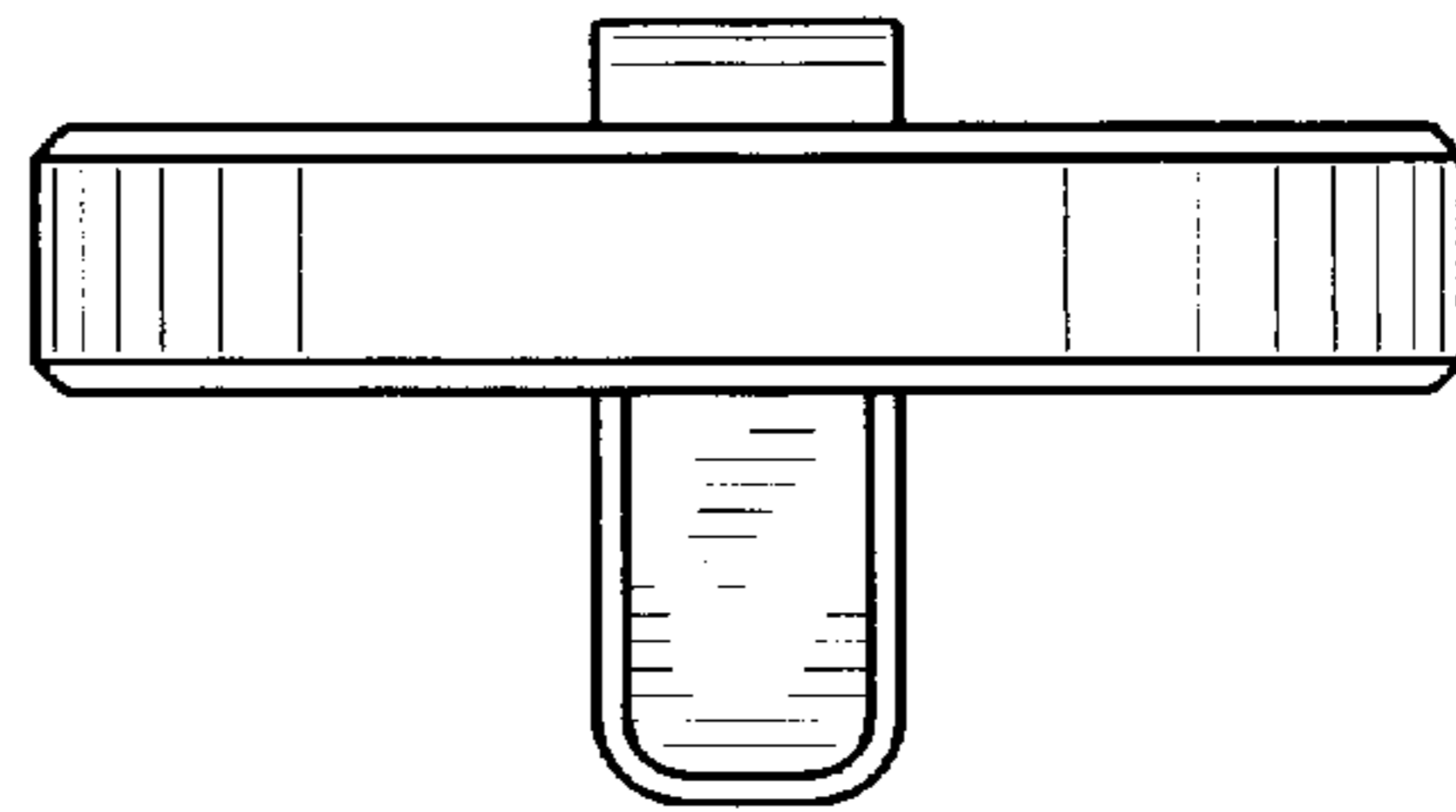


FIG. 4

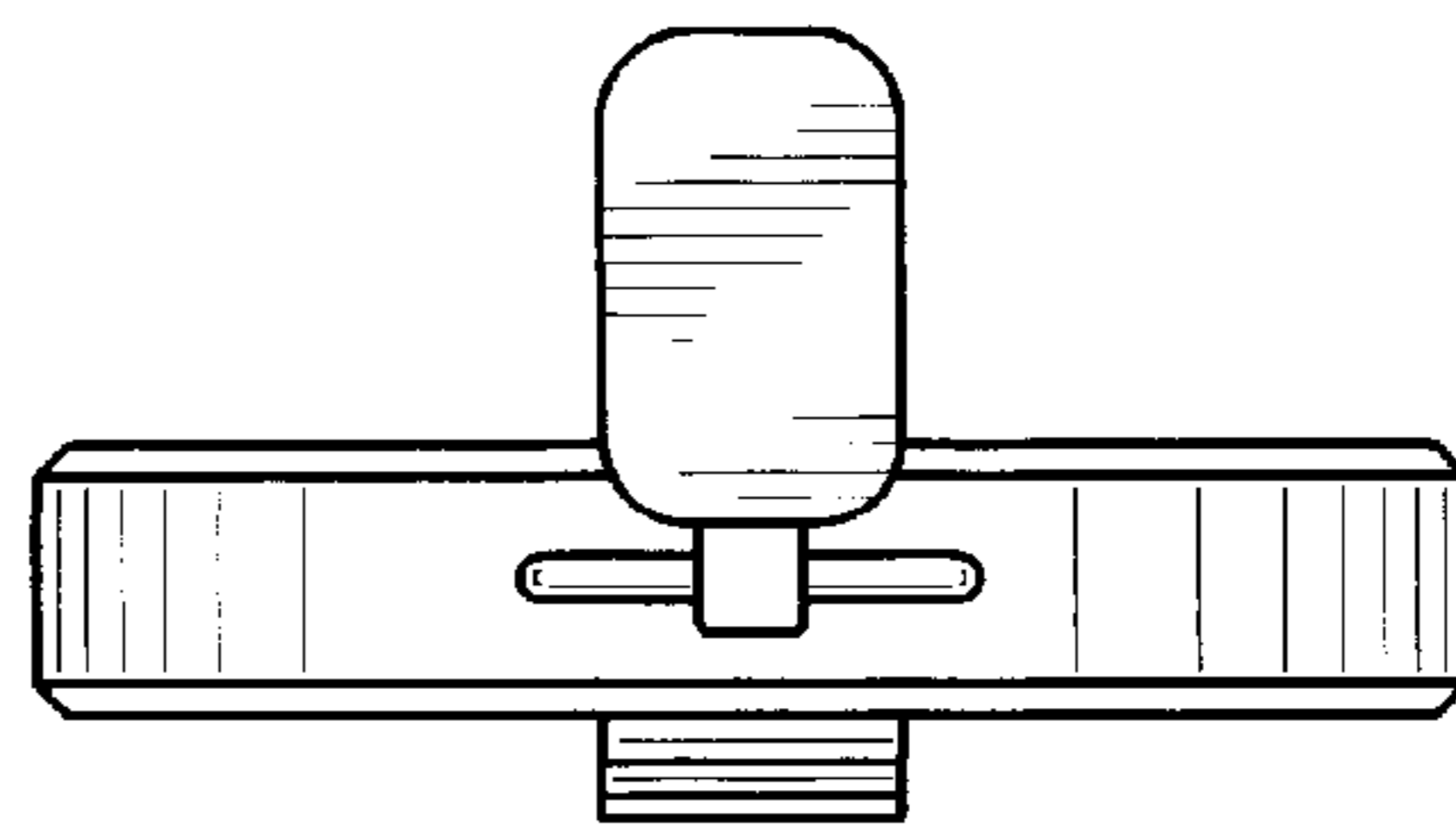


FIG. 5

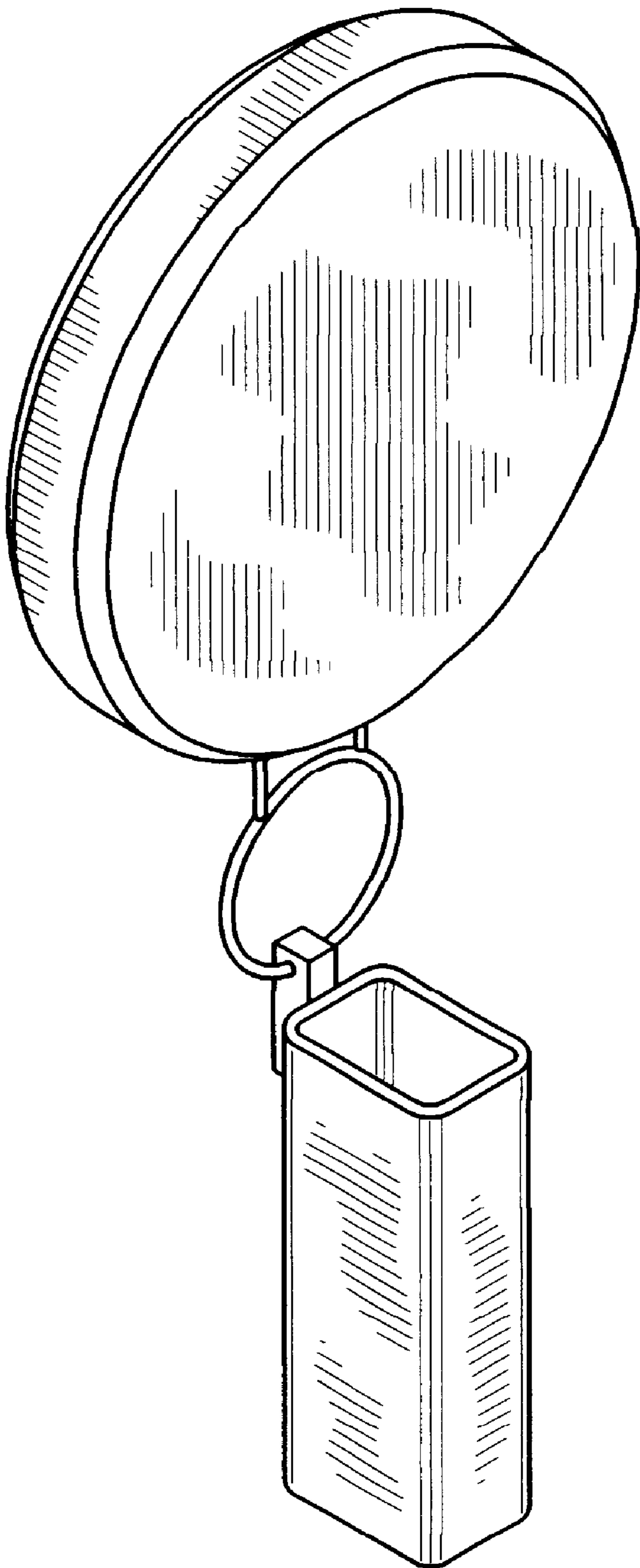


FIG.6