



US00D485979S

(12) **United States Design Patent**  
**Chue**

(10) **Patent No.:** **US D485,979 S**

(45) **Date of Patent:** **\*\* Feb. 3, 2004**

(54) **PILL DISPENSER WITH MIRROR**

(75) **Inventor:** **Lap Fu Chue, Tai Po (HK)**

(73) **Assignee:** **Kenki (H.K.) Ltd., Kowloon (HK)**

(\*\*) **Term:** **14 Years**

(21) **Appl. No.:** **29/176,132**

(22) **Filed:** **Feb. 20, 2003**

(51) **LOC (7) Cl.** ..... **03-01**

(52) **U.S. Cl.** ..... **D3/203**

(58) **Field of Search** ..... D3/203, 201, 205,  
D3/232, 247, 248, 295, 294; D28/4, 5,  
8, 76, 78, 83, 84, 90; 150/150; 206/581,  
235, 531, 534, 539; 132/286-318

(56) **References Cited**

**U.S. PATENT DOCUMENTS**

D30,170 S	*	2/1899	Lehman	.....	D3/247
D190,943 S	*	7/1961	Smallman	.....	D3/248
D246,508 S	*	11/1977	Nudell	.....	D3/203
D329,328 S	*	9/1992	Stephens	.....	D3/203

D463,101 S	*	9/2002	Gardner	.....	D3/203
D468,868 S	*	1/2003	Thorpe et al.	.....	D28/83
D475,811 S	*	6/2003	Bontempo	.....	D28/83

\* cited by examiner

*Primary Examiner*—Catherine R. Oliver

(74) *Attorney, Agent, or Firm*—Rabin & Berdo, P.C.

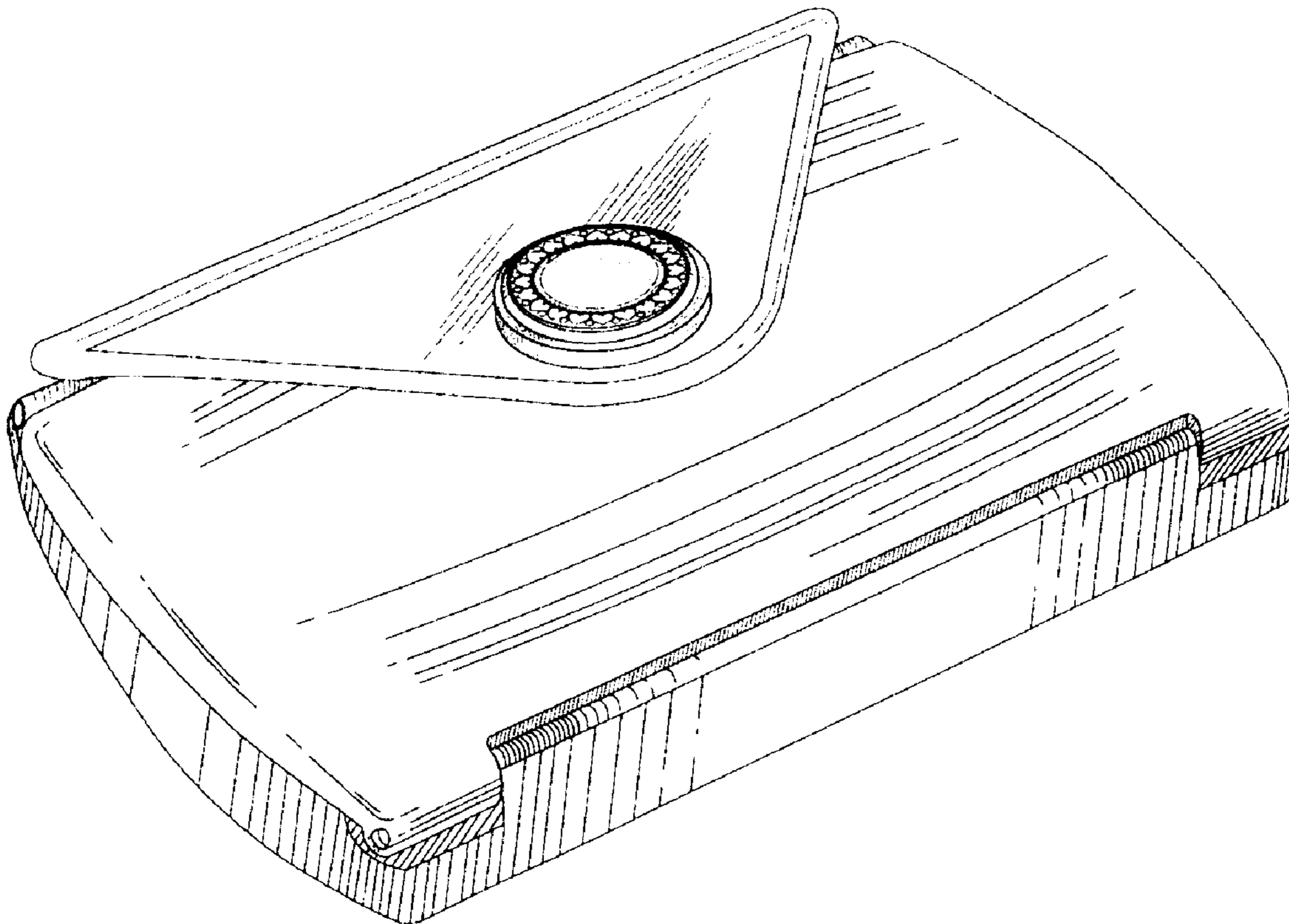
(57) **CLAIM**

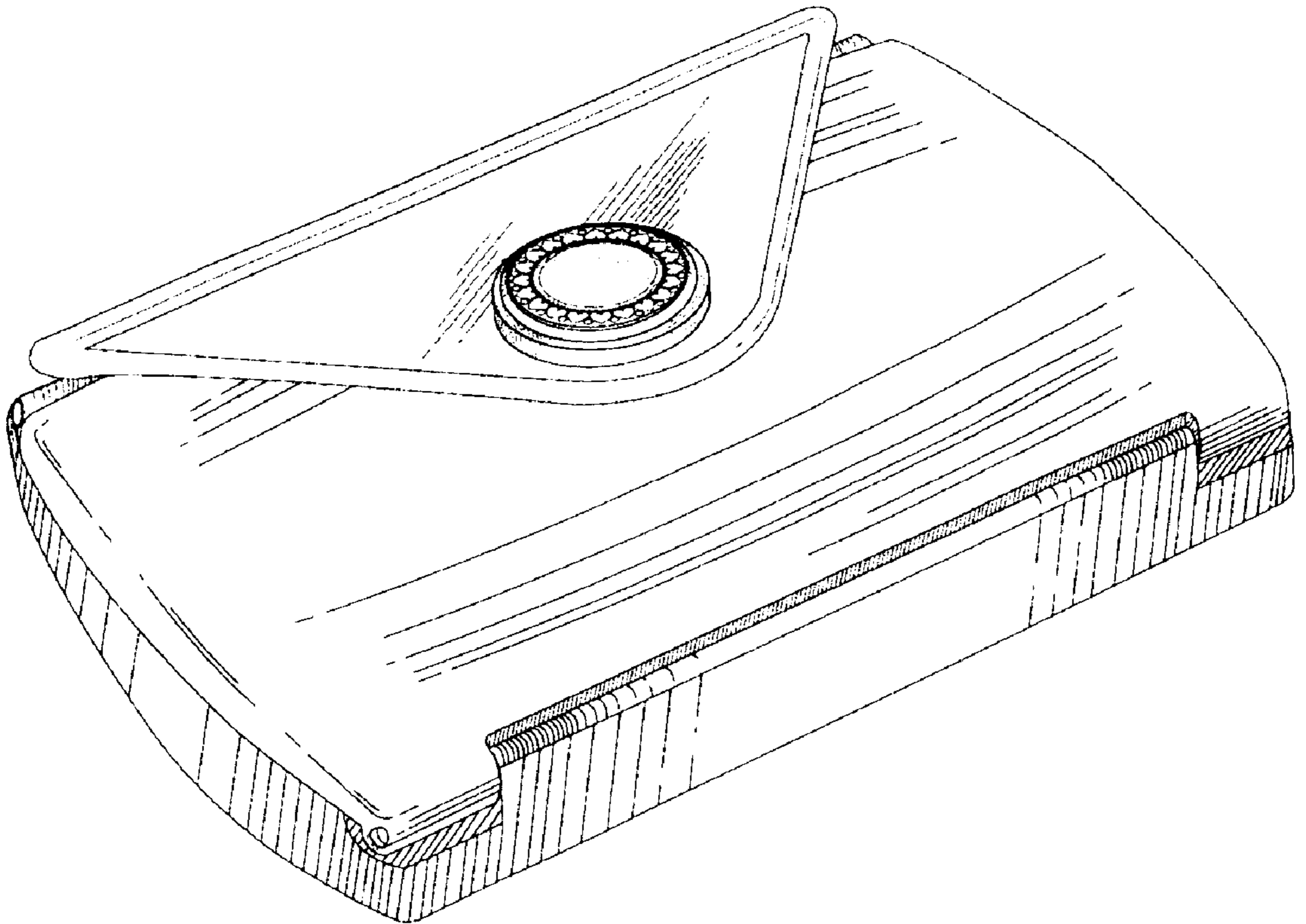
The ornamental design for a pill dispenser with mirror, as shown and described.

**DESCRIPTION**

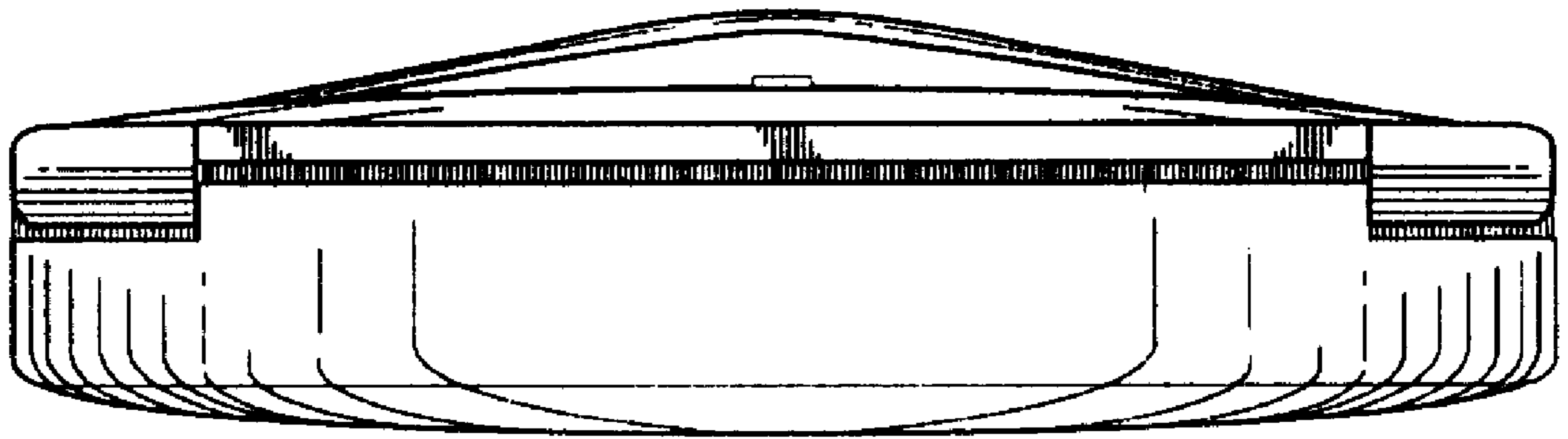
FIG. 1 is a perspective view of a pill dispenser with mirror showing my new design;  
FIG. 2 is a front view thereof;  
FIG. 3 is a rear view thereof;  
FIG. 4 is a top plan view thereof;  
FIG. 5 is a bottom plan view thereof;  
FIG. 6 is a left-side view thereof;  
FIG. 7 is a right-side view thereof; and,  
FIG. 8 is a perspective view shown in an open position.

**1 Claim, 8 Drawing Sheets**

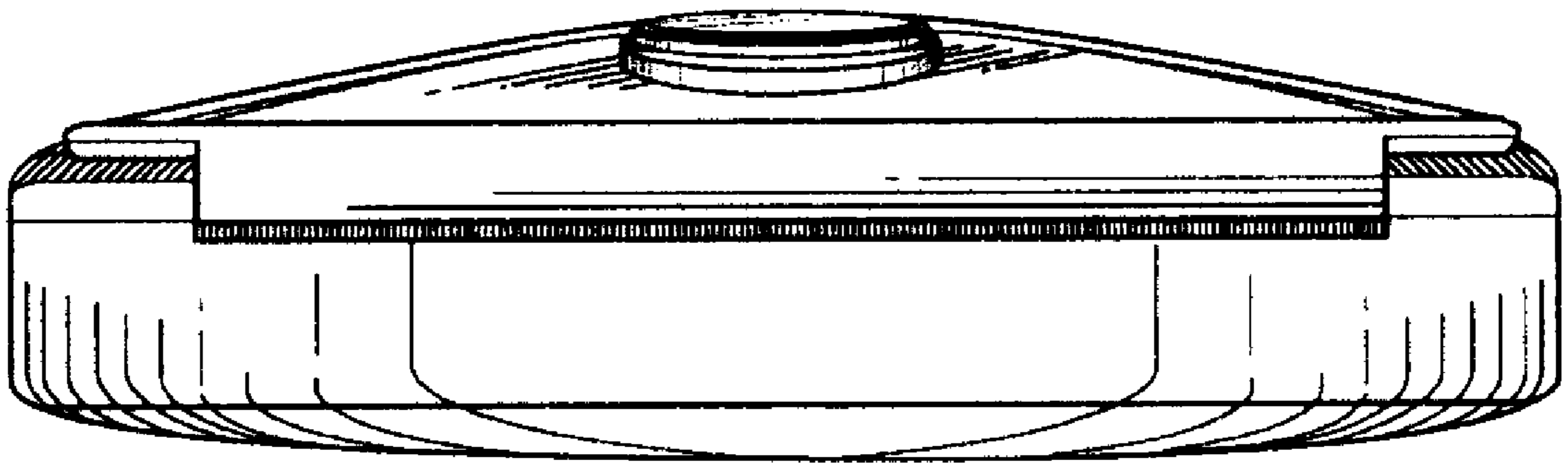




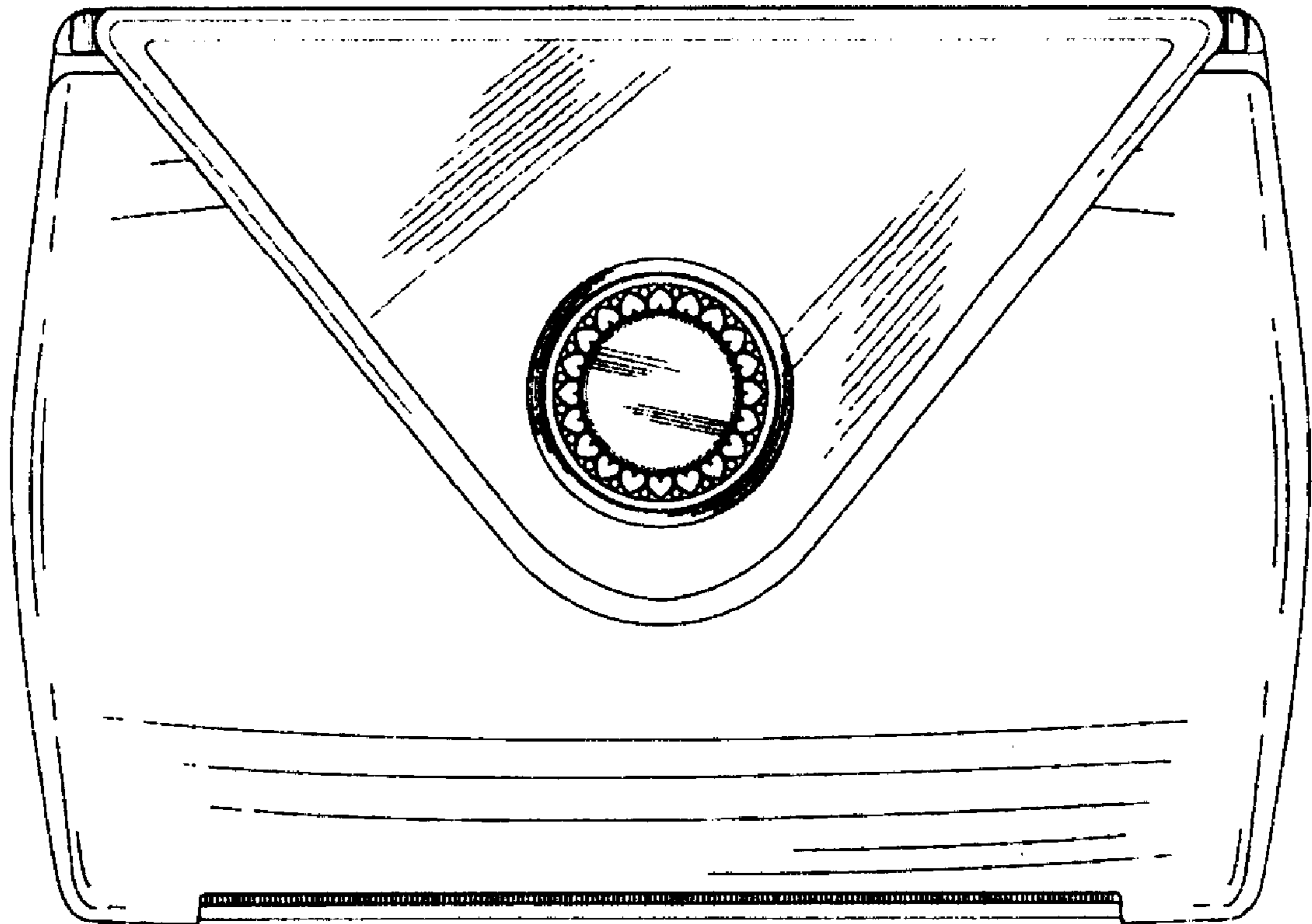
**Fig. 1**



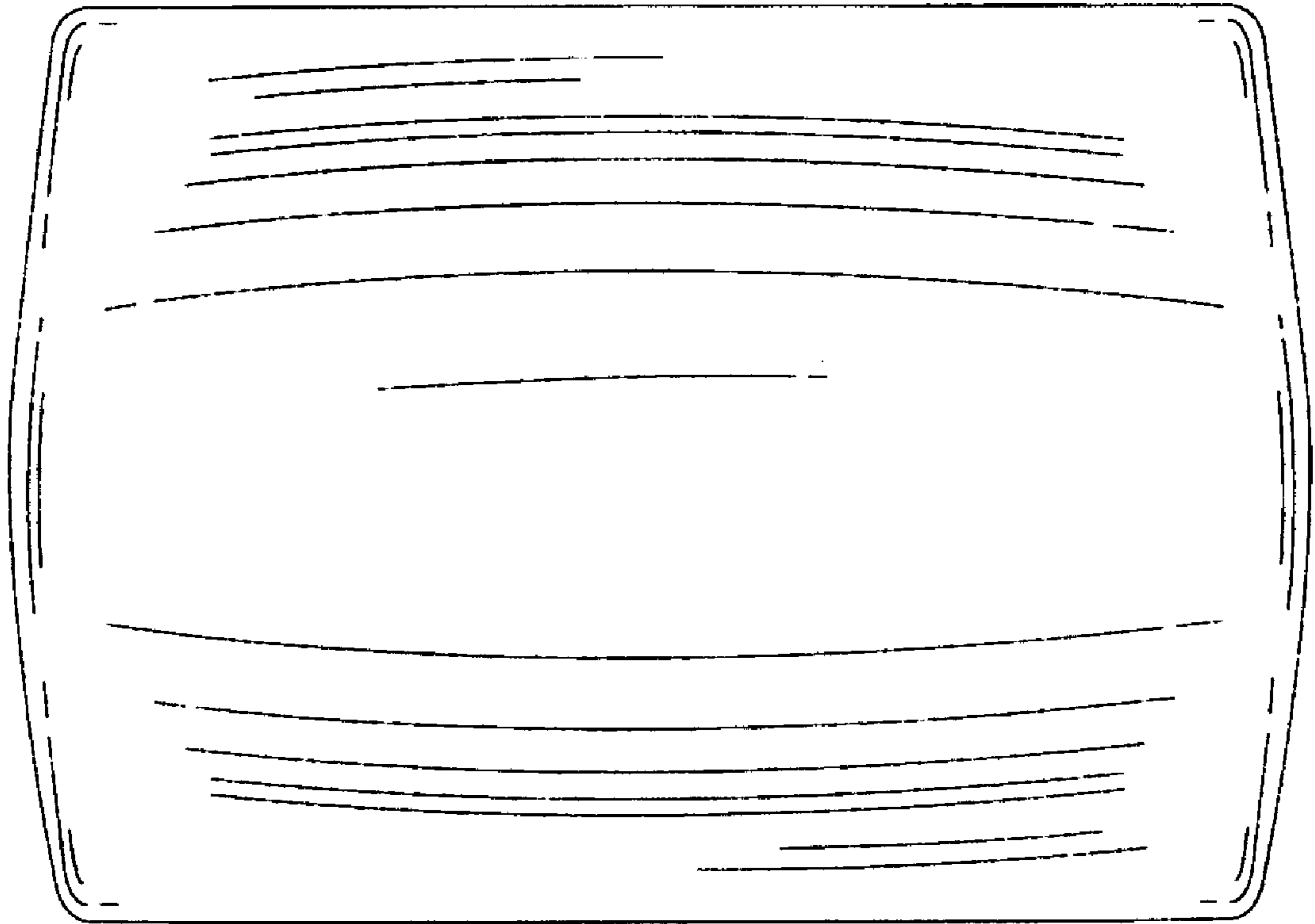
**Fig. 2**



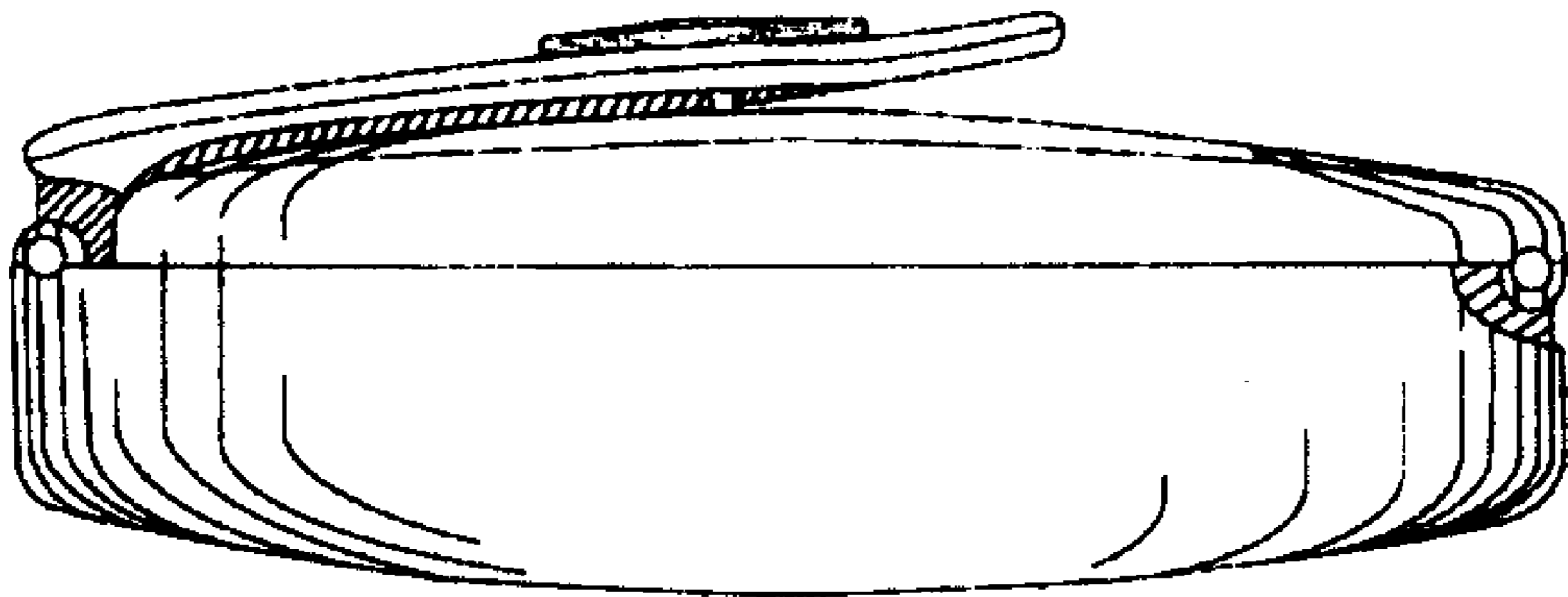
**Fig. 3**



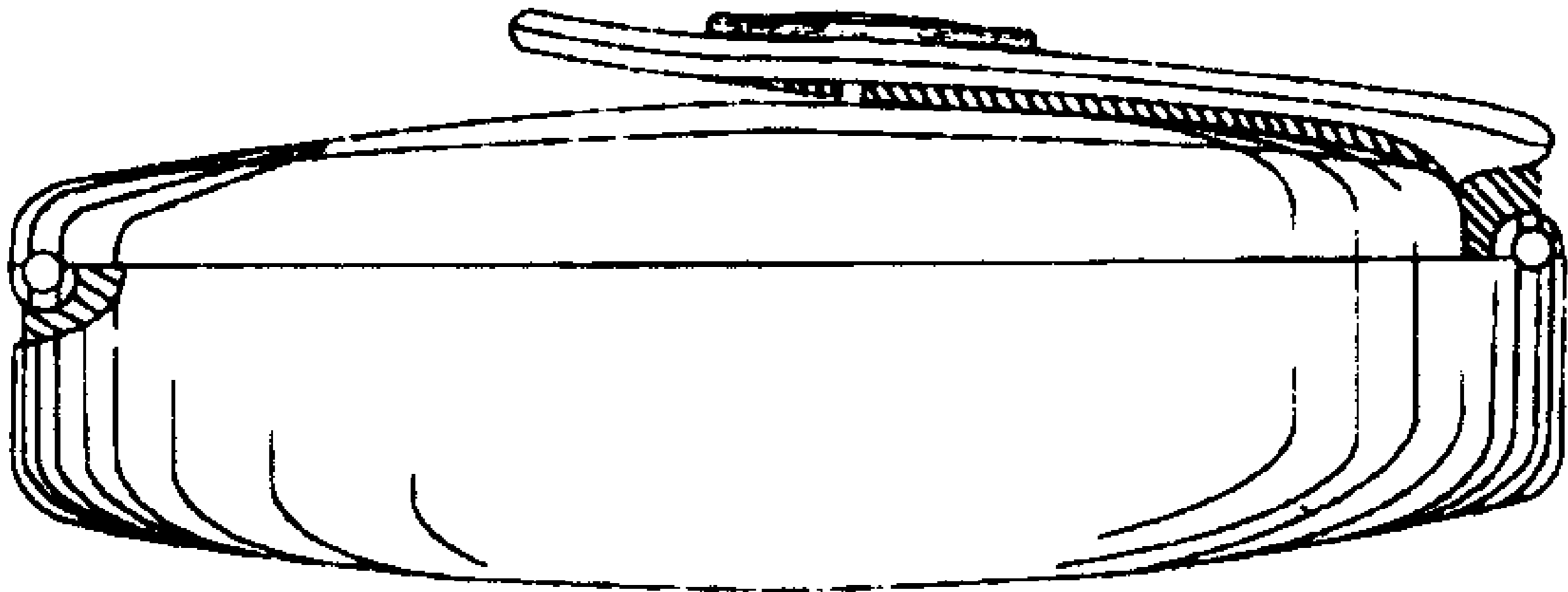
**Fig.4**



**Fig. 5**



**Fig. 6**



**Fig. 7**





Fig.8