



US00D485968S

(12) **United States Design Patent**  
**Lenker**

(10) **Patent No.:** **US D485,968 S**

(45) **Date of Patent:** **\*\* Feb. 3, 2004**

(54) **NOVELTY CAP**

(76) Inventor: **Kenneth I. Lenker**, 2062 County Line Rd., East Greenville, PA (US) 18041

(\*\*) Term: **14 Years**

(21) Appl. No.: **29/168,406**

(22) Filed: **Oct. 1, 2002**

(51) **LOC (7) Cl.** ..... **02-03**

(52) **U.S. Cl.** ..... **D2/882**

(58) **Field of Search** ..... D2/865, 866, 872, D2/876, 879, 882, 885, 888, 893; 2/171, 181, 195.1, 209.11, 209.12, 209.13, 195.7

(56) **References Cited**

**U.S. PATENT DOCUMENTS**

1,886,992 A	*	11/1932	Wagenfelf	.....	2/195.7
2,893,014 A	*	7/1959	Mabry	.....	2/195.1
2,962,723 A	*	12/1960	Kronenberger	.....	2/181
3,134,983 A	*	6/1964	Lipkin	.....	2/195.7
3,383,709 A	*	5/1968	Bauer	.....	2/195.7
3,855,634 A	*	12/1974	Gregg	.....	2/195.7
4,776,043 A	*	10/1988	Coleman	.....	2/209.12
5,359,734 A	*	11/1994	Rathburn	.....	2/195.1

6,154,992 A \* 12/2000 Lee ..... 2/209.13

\* cited by examiner

*Primary Examiner*—Doris V. Coles

*Assistant Examiner*—Mimosa De

(74) *Attorney, Agent, or Firm*—Armand M. Vozzo, Jr.

(57) **CLAIM**

The ornamental design for a novelty cap, as shown and described.

**DESCRIPTION**

FIG. 1 is a front perspective view of my design for a novelty cap;

FIG. 2 is a reduced front elevational view of the novelty cap shown in FIG. 1;

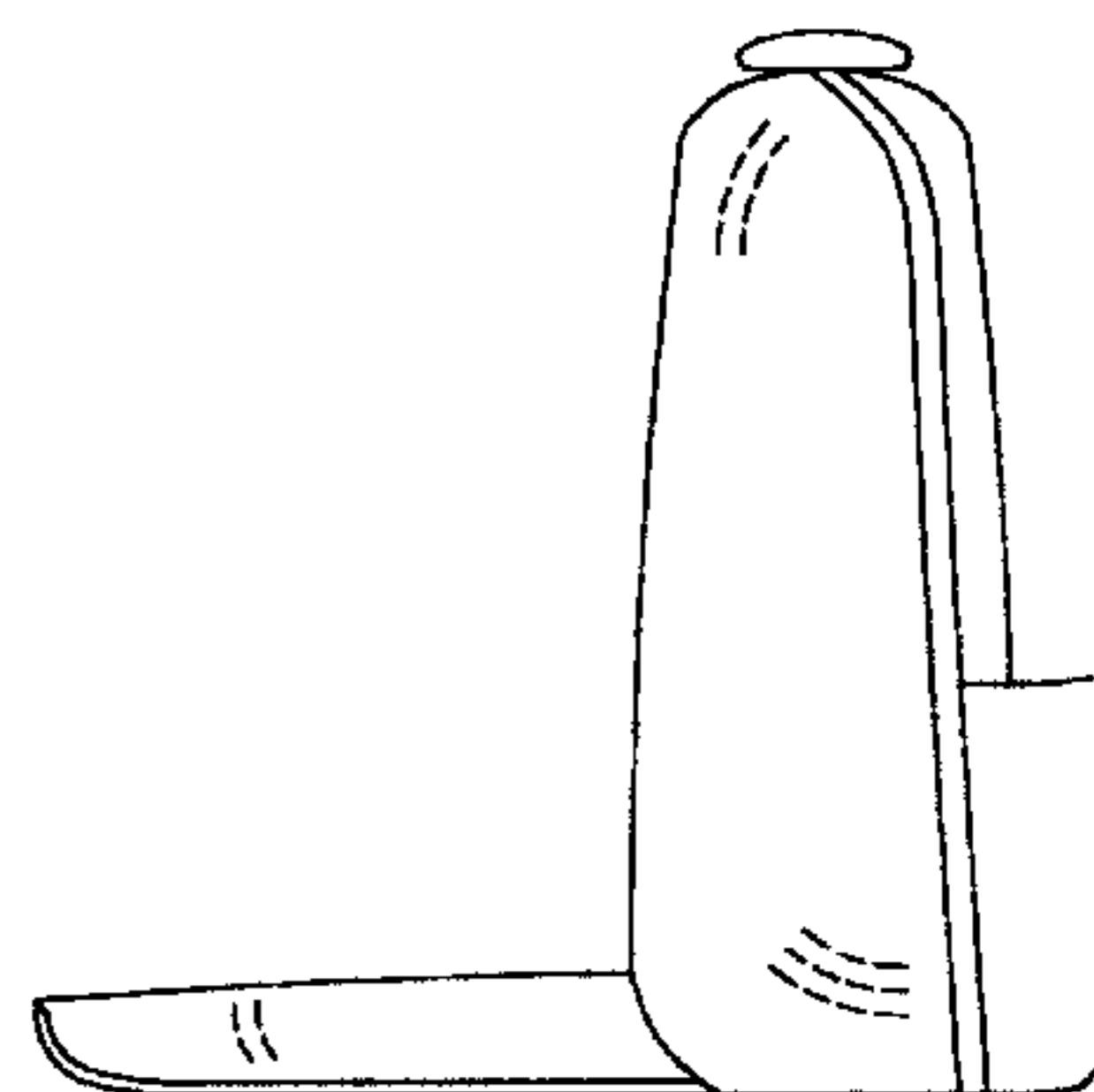
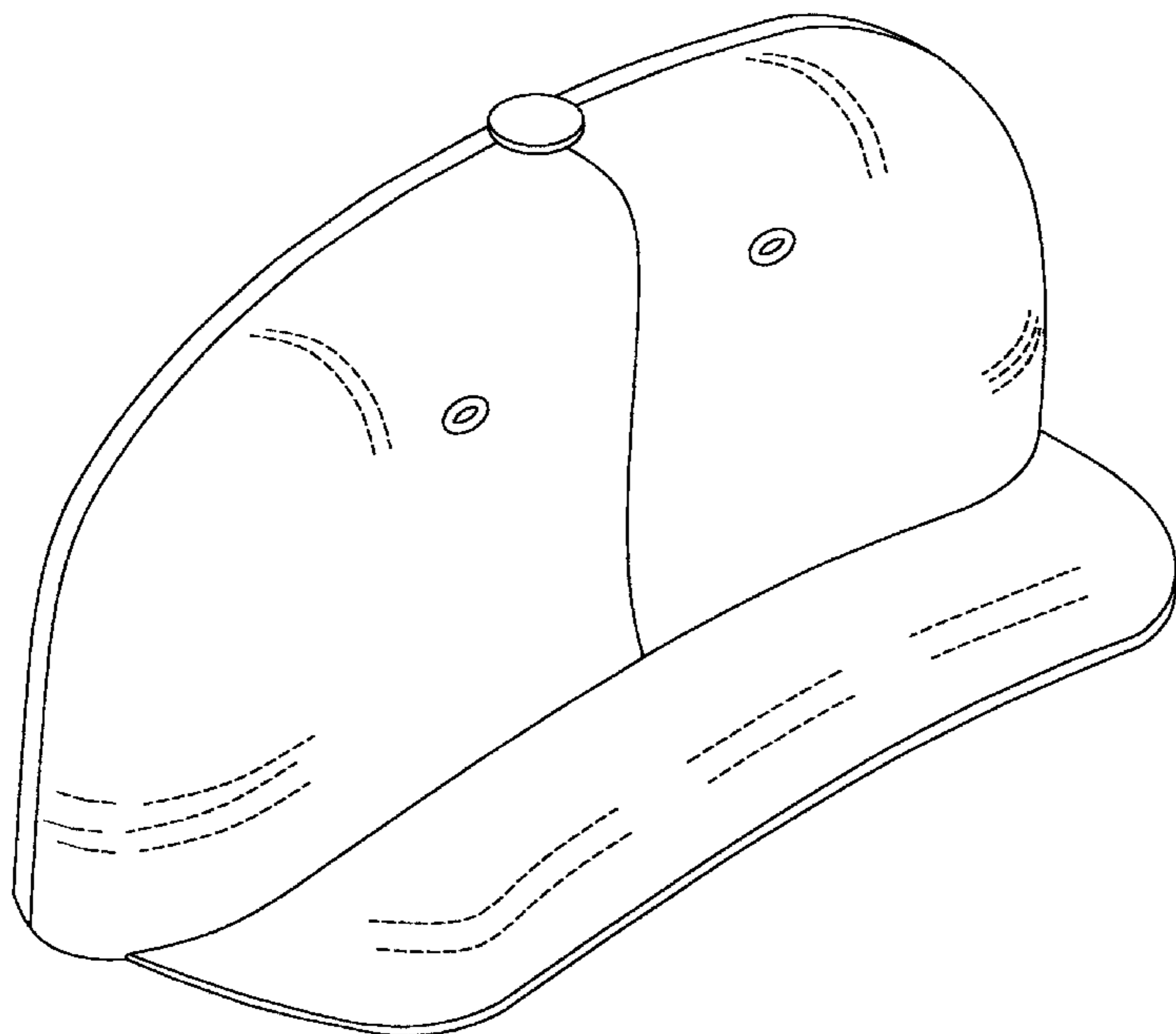
FIG. 3 is a reduced left side elevational view of the novelty cap of FIG. 1;

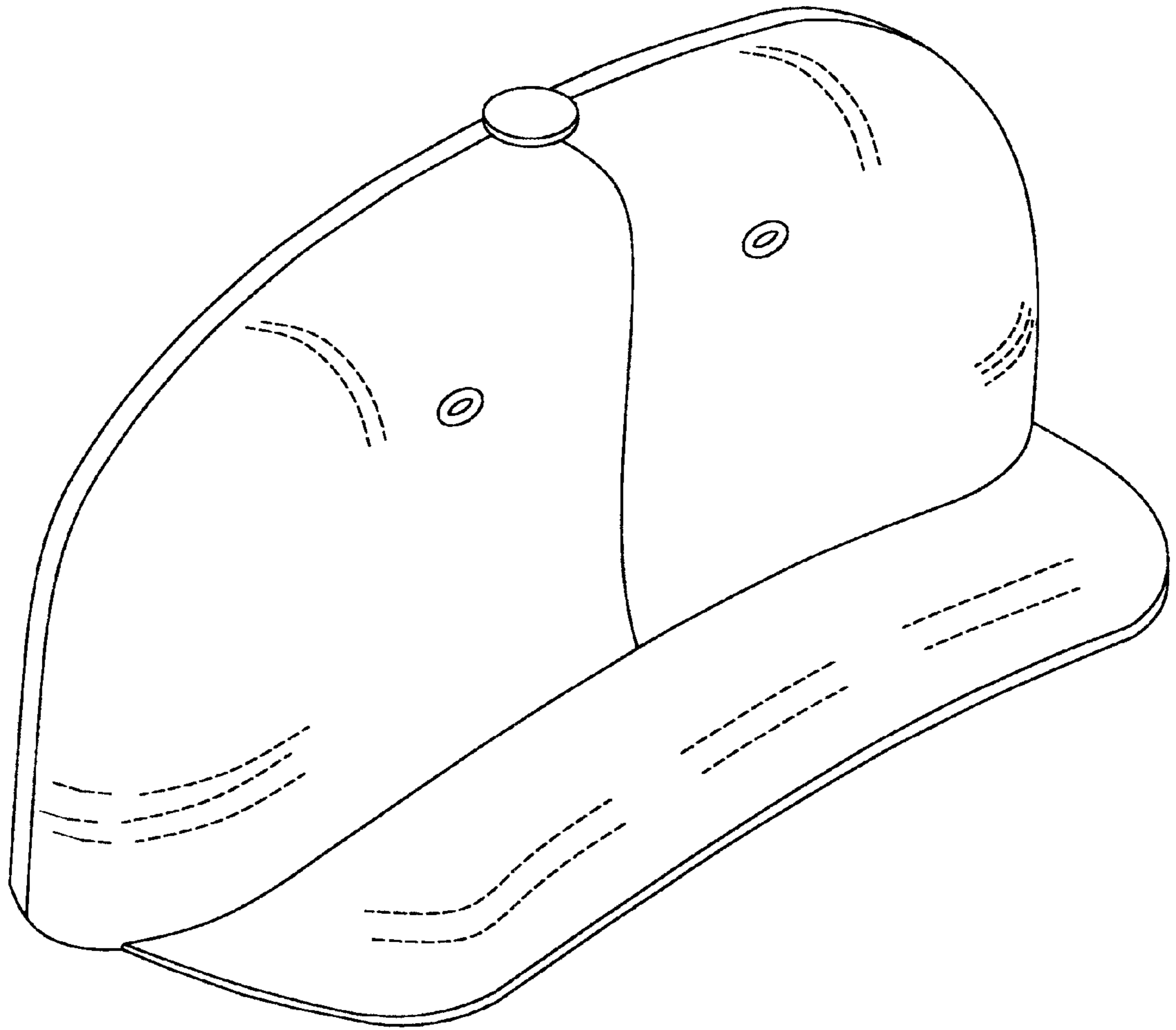
FIG. 4 is a reduced right side elevational view of the novelty cap of FIG. 1;

FIG. 5 is a reduced top plan view of the novelty cap of FIG. 1; and,

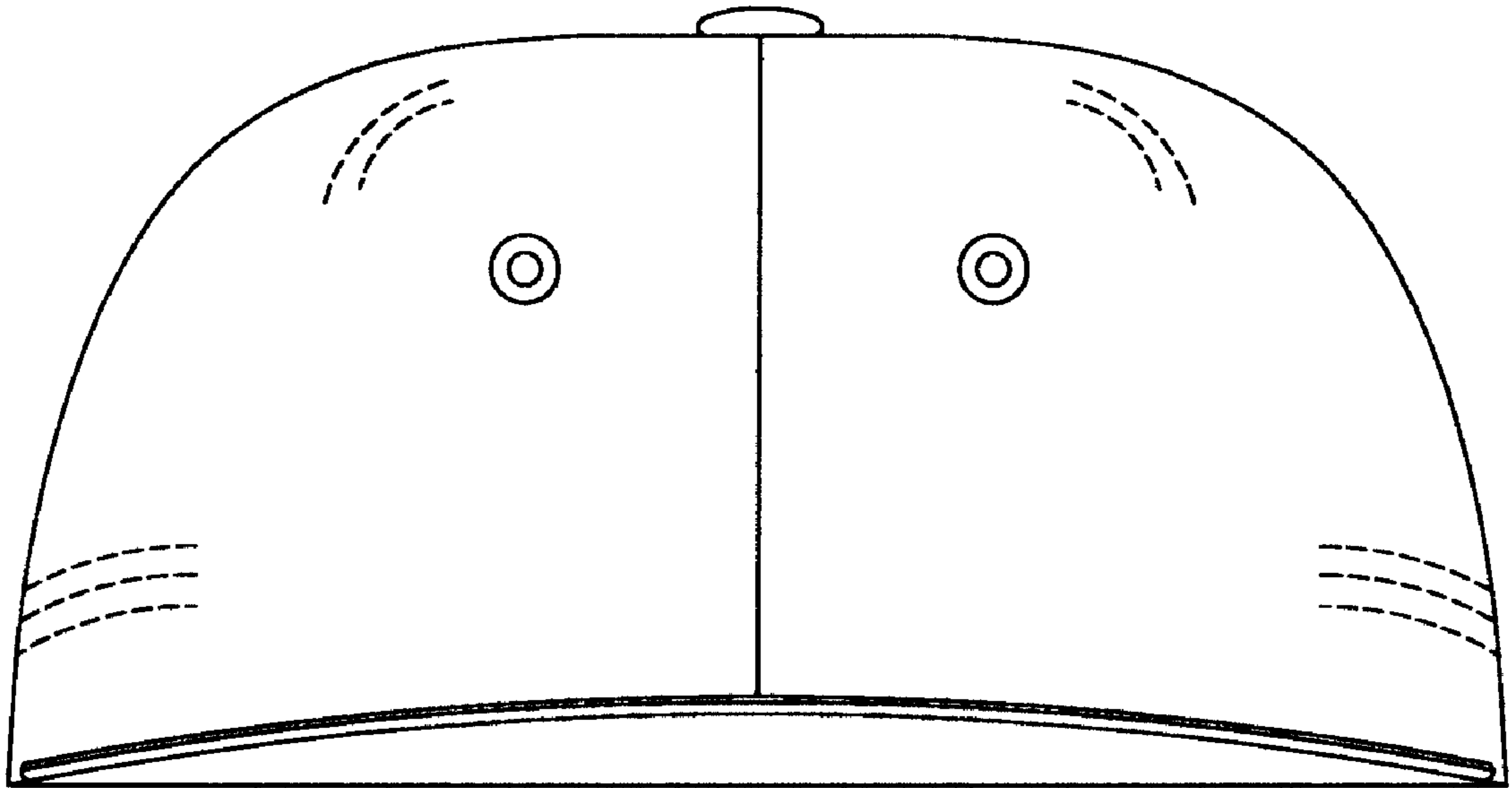
FIG. 6 is a reduced rear elevational view of the novelty cap shown in FIG. 1.

**1 Claim, 4 Drawing Sheets**

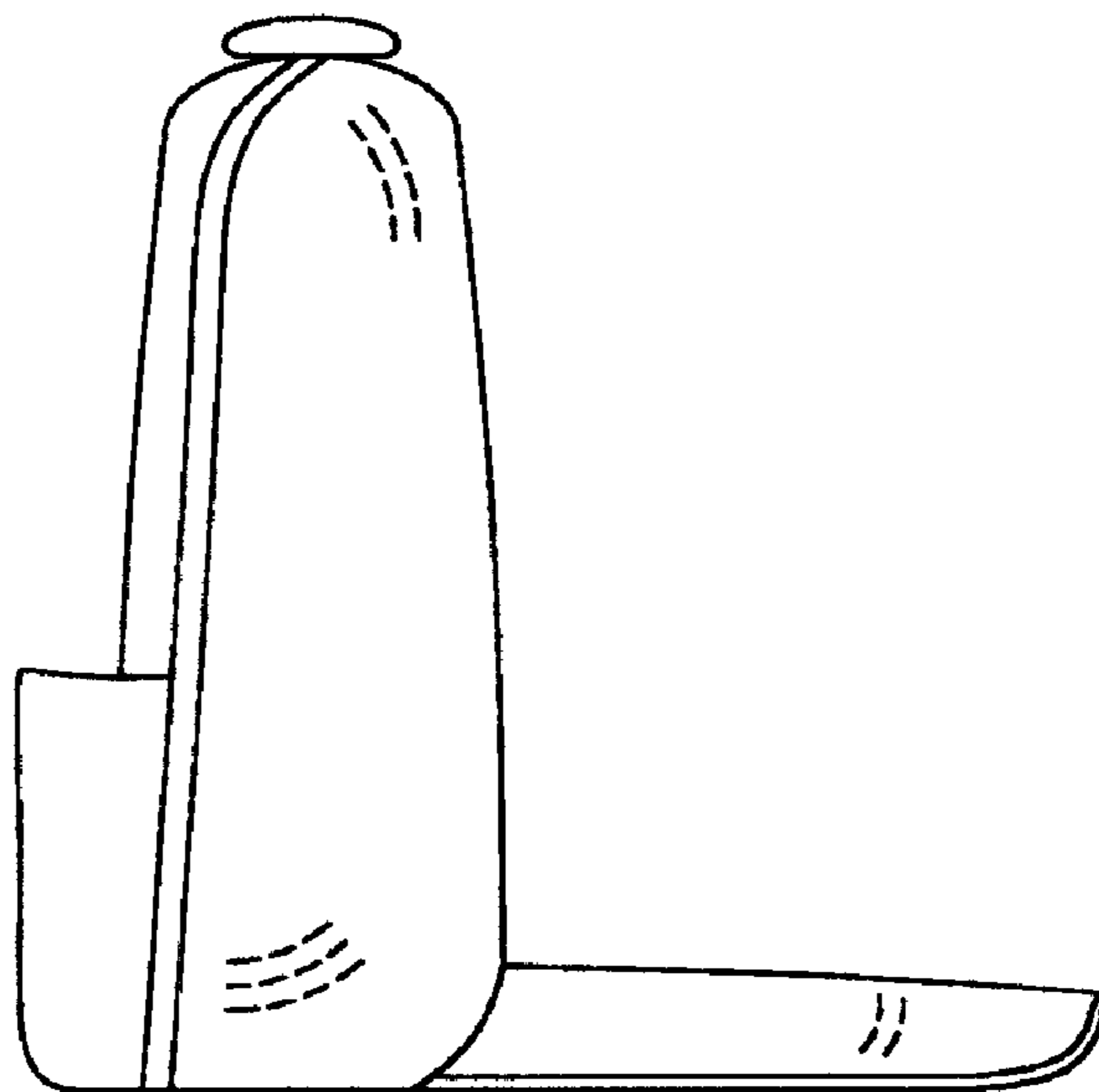




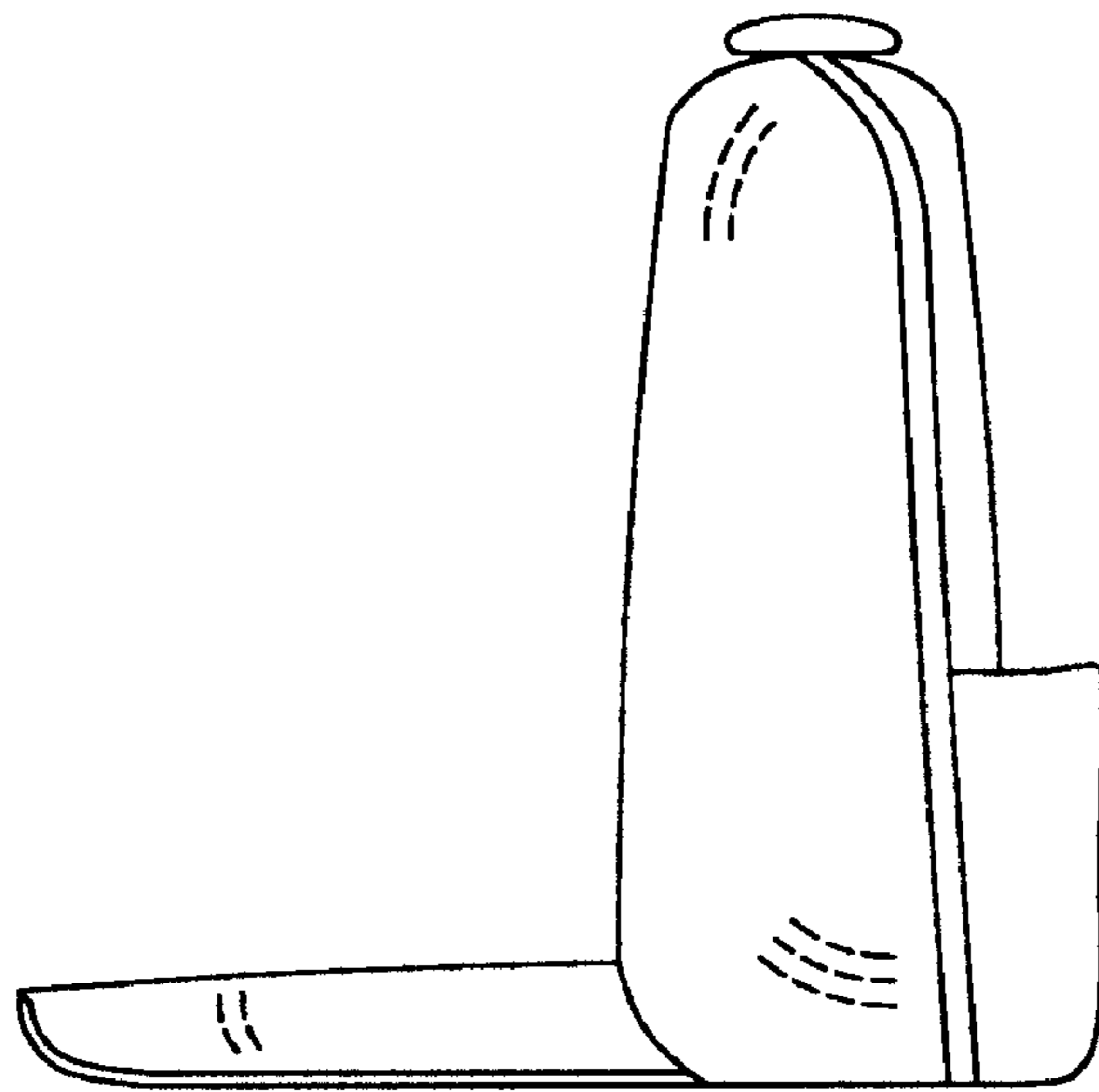
**FIG. 1**



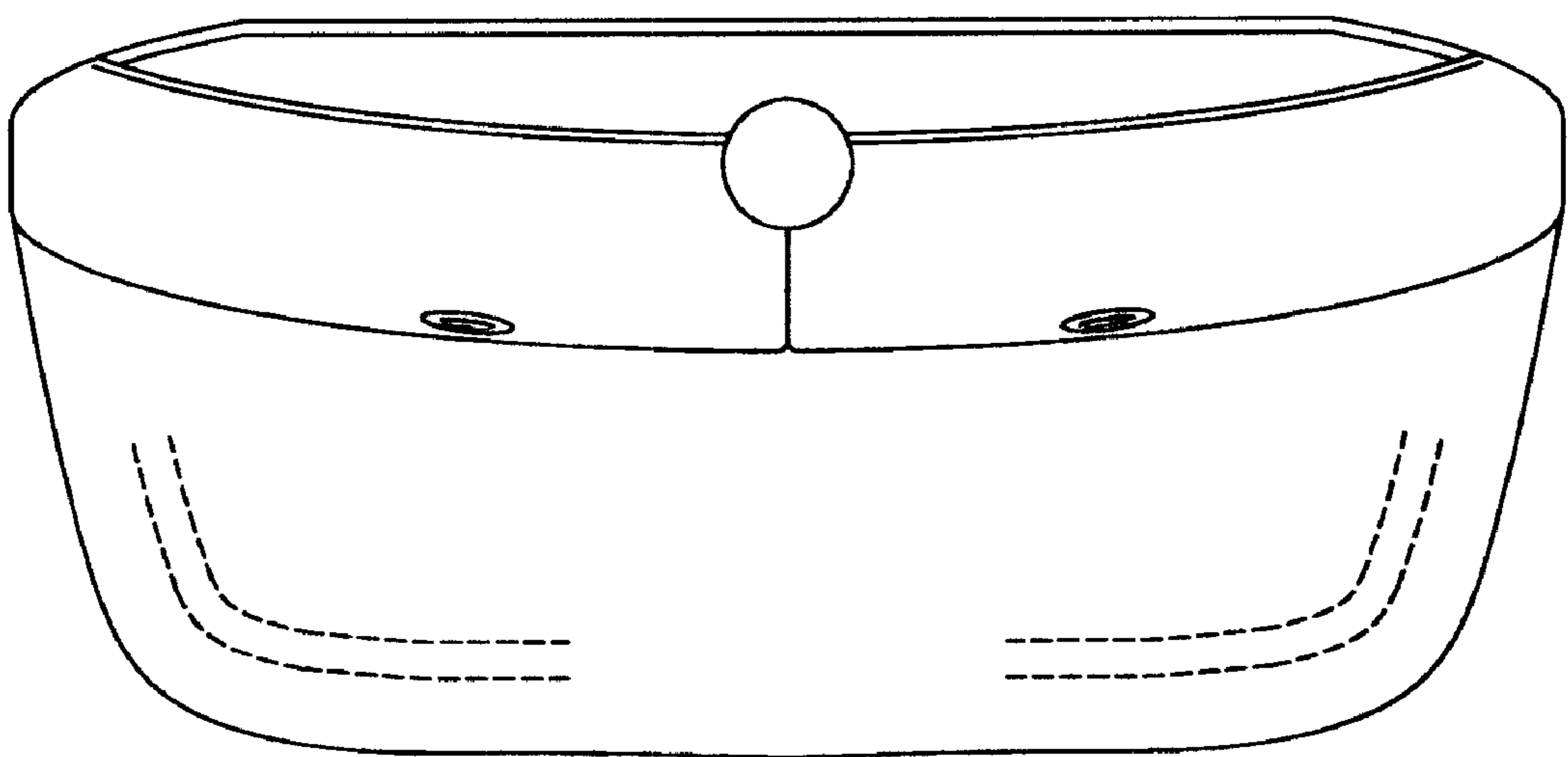
**FIG. 2**



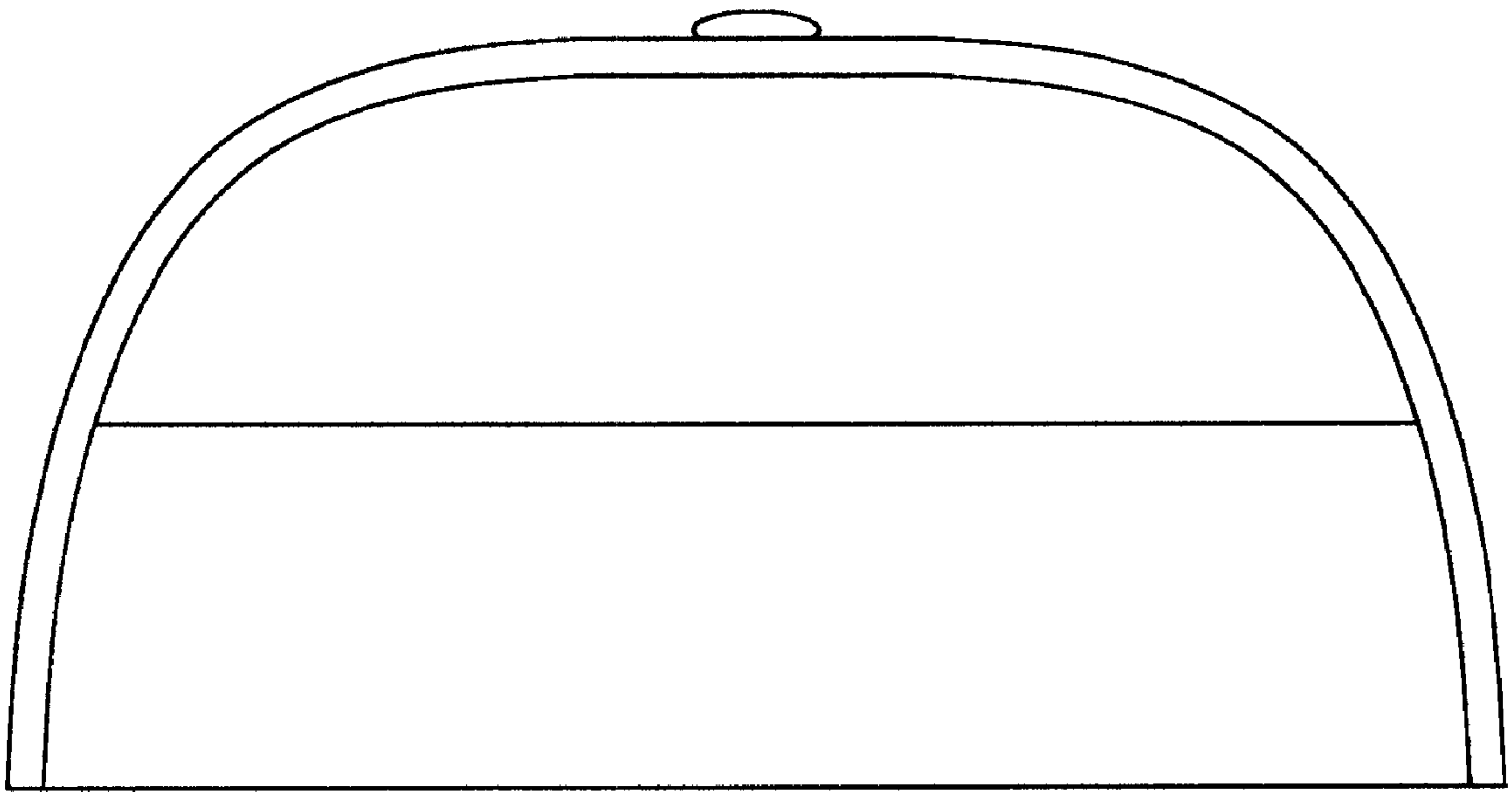
**FIG. 3**



**FIG. 4**



**FIG. 5**



**FIG. 6**