



US00D485959S

(12) **United States Design Patent**
Lynch et al.

(10) **Patent No.:** **US D485,959 S**
(45) **Date of Patent:** **** Jan. 27, 2004**

(54) **DOOR FOR SECURITY SAFES, GUN CABINETS**
(75) Inventors: **Peter F. Lynch**, Skaneateles, NY (US);
Chad P. Paris, Coram, NY (US); **Scott W. Osiecki**, Skaneateles, NY (US)

296,153 A * 4/1884 Farrel 109/56
479,464 A * 7/1892 Root 109/47
941,052 A * 11/1909 Wing 109/47
4,669,394 A * 6/1987 Fogleman et al. 109/59
D291,019 S * 7/1987 Druihet D99/28
D297,195 S * 8/1988 Warwicker D6/559
D372,391 S * 8/1996 Anniballi D6/570

(73) Assignee: **John D. Brush & Co., Inc.**, Rochester, NY (US)

* cited by examiner

(**) Term: **14 Years**

Primary Examiner—Paula A. Mortimer
(74) *Attorney, Agent, or Firm*—Jaeckle Fleischmann & Mugel, LLP

(21) Appl. No.: **29/176,714**

(22) Filed: **Feb. 26, 2003**

(57) **CLAIM**

(51) **LOC (7) Cl.** **99-00**
(52) **U.S. Cl.** **D99/43**
(58) **Field of Search** D99/28, 34, 35,
D99/36, 43, 99; 70/278.1; 232/4 R; 109/47,
57; D6/476, 567, 570, 559, 512, 300; D20/42;
D19/35, 52, 65, 99; 211/85.2, 113; 206/6.1,
457, 566

The design for a door for security safes, gun cabinets, as shown and described.

DESCRIPTION

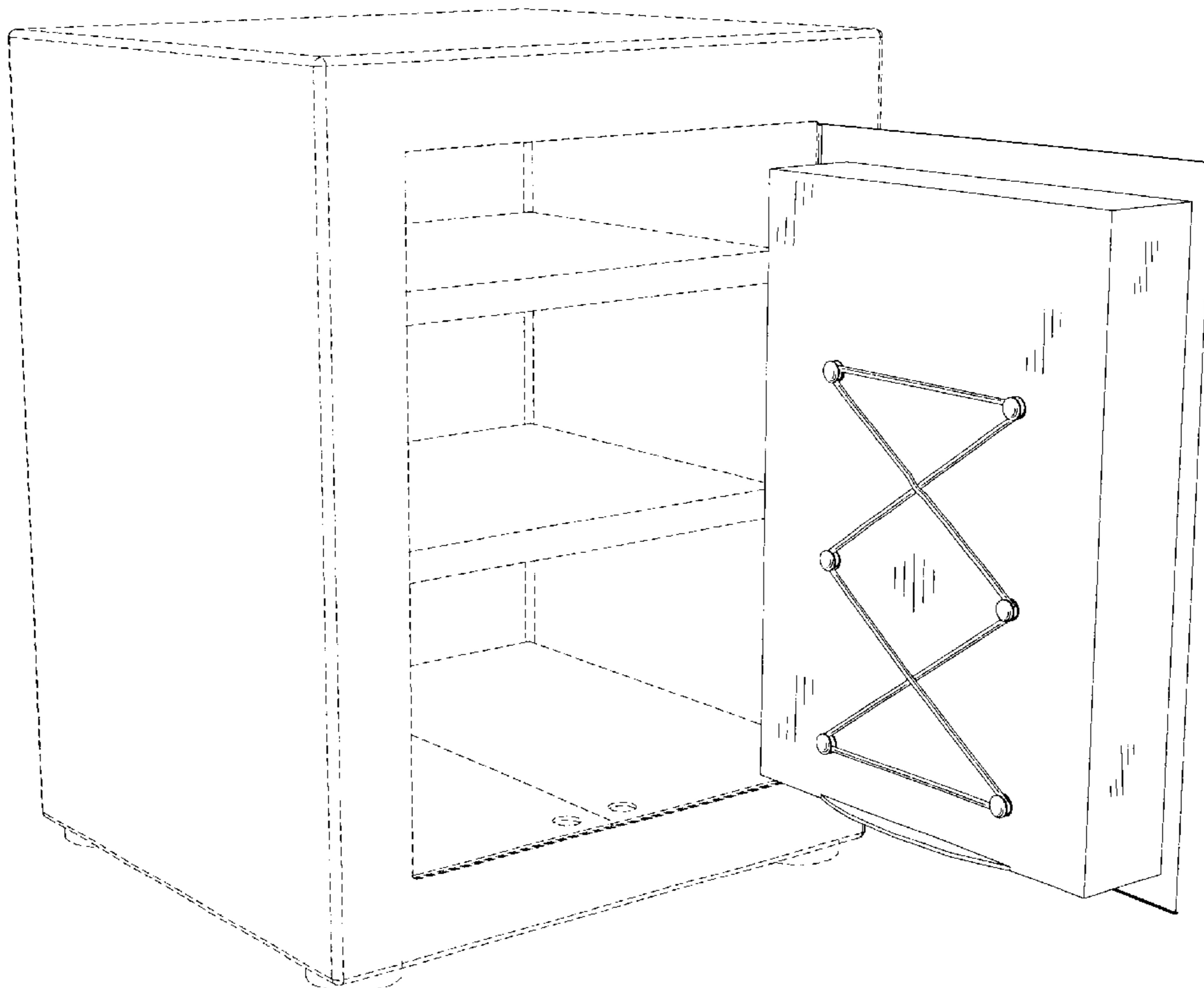
(56) **References Cited**

FIG. 1 is a perspective view of a first embodiment of the design; and,
FIG. 2 is a perspective view of a second embodiment of the design.
The broken line showing of a security safe is for illustrative purposes only and forms no part of the claimed design.

U.S. PATENT DOCUMENTS

142,476 A * 9/1873 Hyatt 109/47

1 Claim, 2 Drawing Sheets



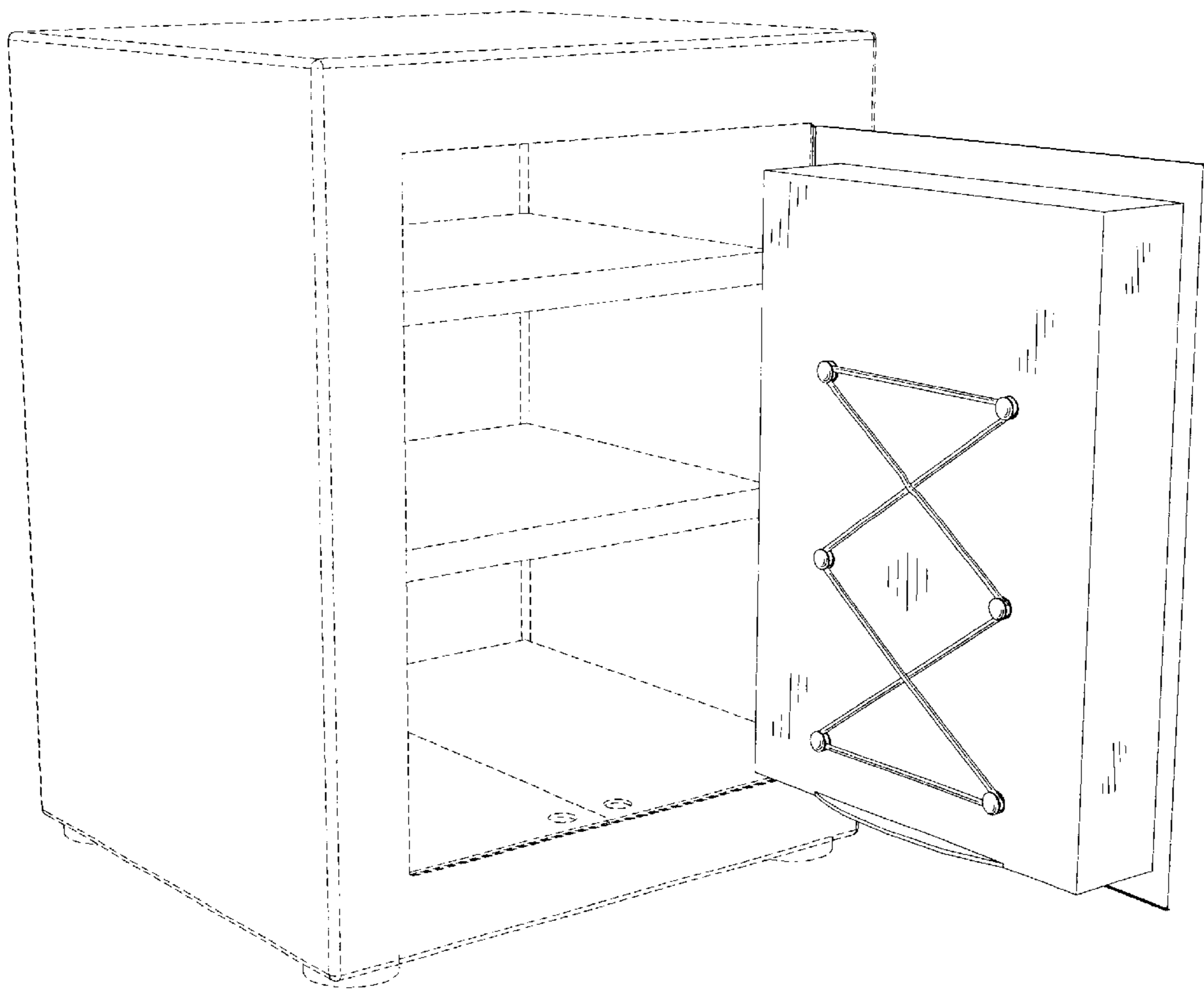


FIG. 1

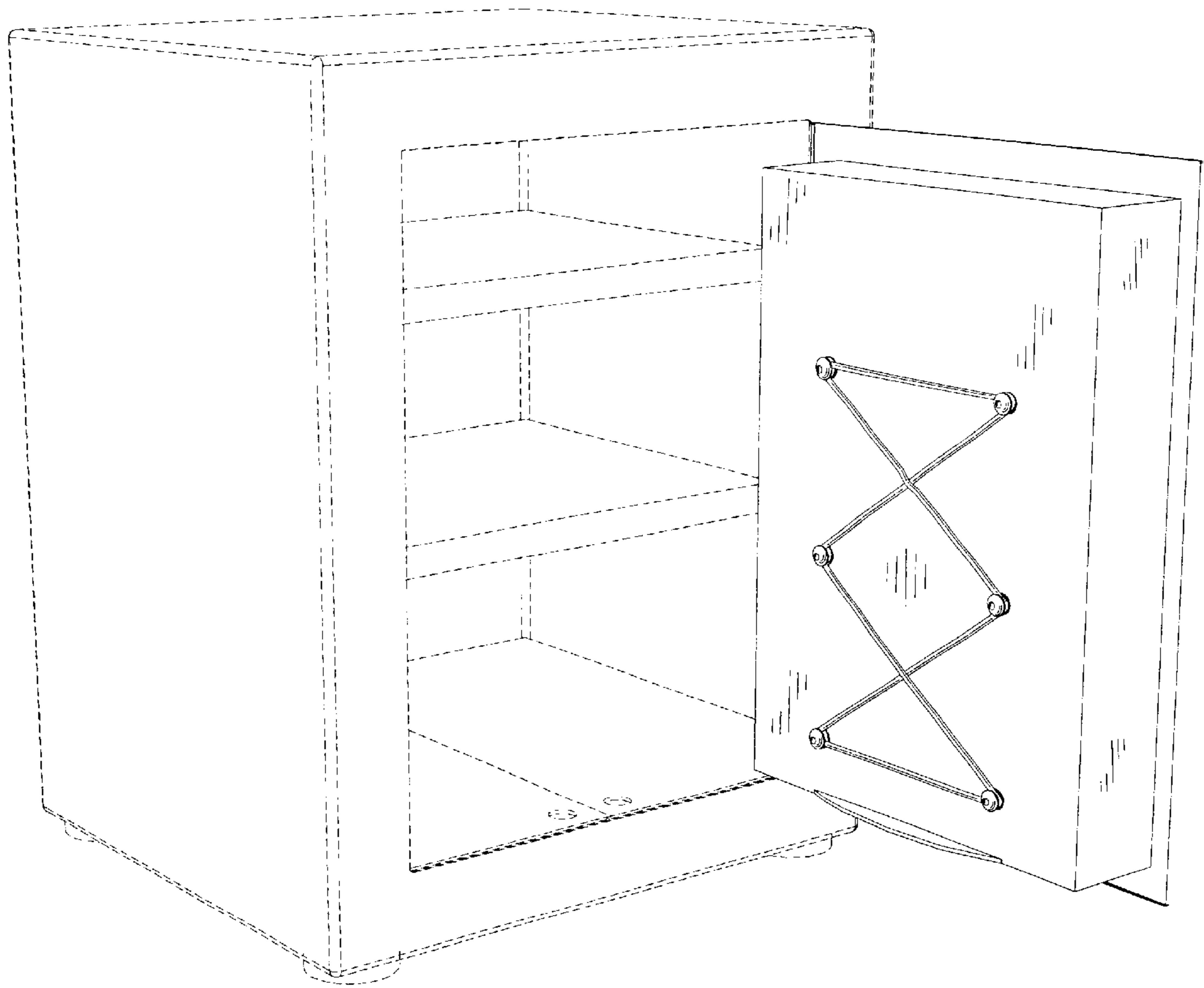


FIG. 2