



US00D485958S

(12) **United States Design Patent**
Polanco et al.

(10) **Patent No.:** **US D485,958 S**

(45) **Date of Patent:** **** Jan. 27, 2004**

(54) **TRASH CAN LID WITH SLIDABLE ELBOW-OPENABLE ACCESS DOOR**

(76) Inventors: **Loxey Polanco**, 3879 Tuk A Wile Dr., Jamul, CA (US) 91935-1632; **Rudolf Polanco**, 3879 Tuk A Wile Dr., Jamul, CA (US) 91935-1632

(**) Term: **14 Years**

(21) Appl. No.: **29/178,797**

(22) Filed: **Apr. 1, 2003**

(51) **LOC (7) Cl.** **09-09**

(52) **U.S. Cl.** **D34/11**

(58) **Field of Search** D34/1, 5, 6, 7, D34/8, 9, 10, 11; 220/908, 908.1, 909, 254.1, 262, 263

(56) **References Cited**

U.S. PATENT DOCUMENTS

1,598,135 A	8/1926	Heinson et al.	
2,994,453 A	8/1961	Gardiner	
D246,822 S	1/1978	Stoufer	
4,335,828 A	6/1982	Robinson et al.	
D329,929 S	* 9/1992	Knoedler et al.	D32/37
D351,705 S	10/1994	Bird et al.	
D355,060 S	* 1/1995	Bernstein et al.	D32/37
D391,727 S	* 3/1998	Delmerico	D34/11
D391,728 S	* 3/1998	Delmerico	D34/11
D398,726 S	* 9/1998	Presnell et al.	D34/10

5,881,896 A	3/1999	Presnell et al.	
D407,880 S	* 4/1999	Douglas	D34/11
D407,881 S	* 4/1999	Delmerico	D34/11
5,957,319 A	9/1999	Shane da Costa	
5,967,362 A	10/1999	Corbin	
D480,193 S	* 9/2003	Wang	D34/9

* cited by examiner

Primary Examiner—Cynthia E. Ramirez
(74) *Attorney, Agent, or Firm*—Donald R. Schoonover

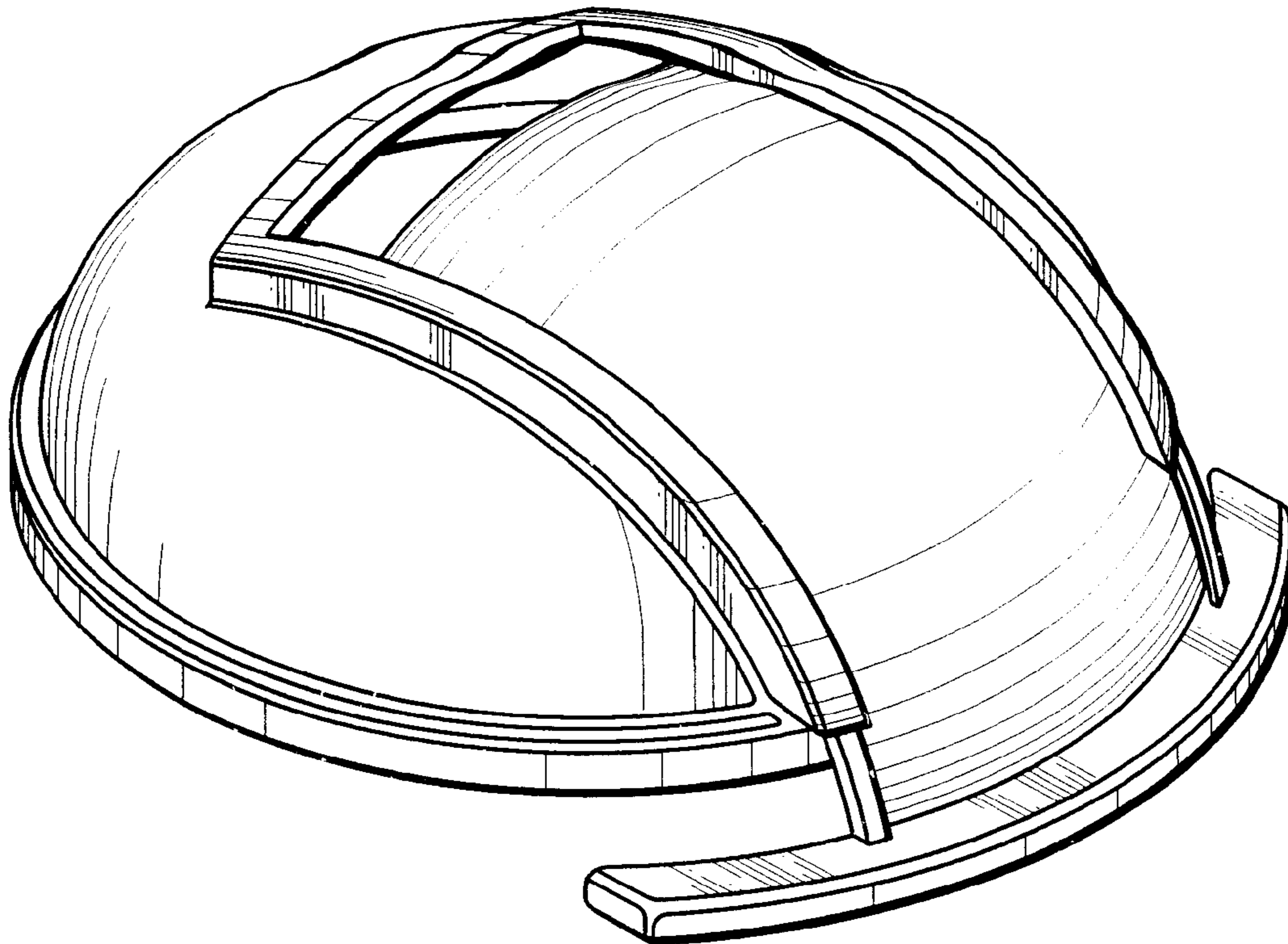
(57) **CLAIM**

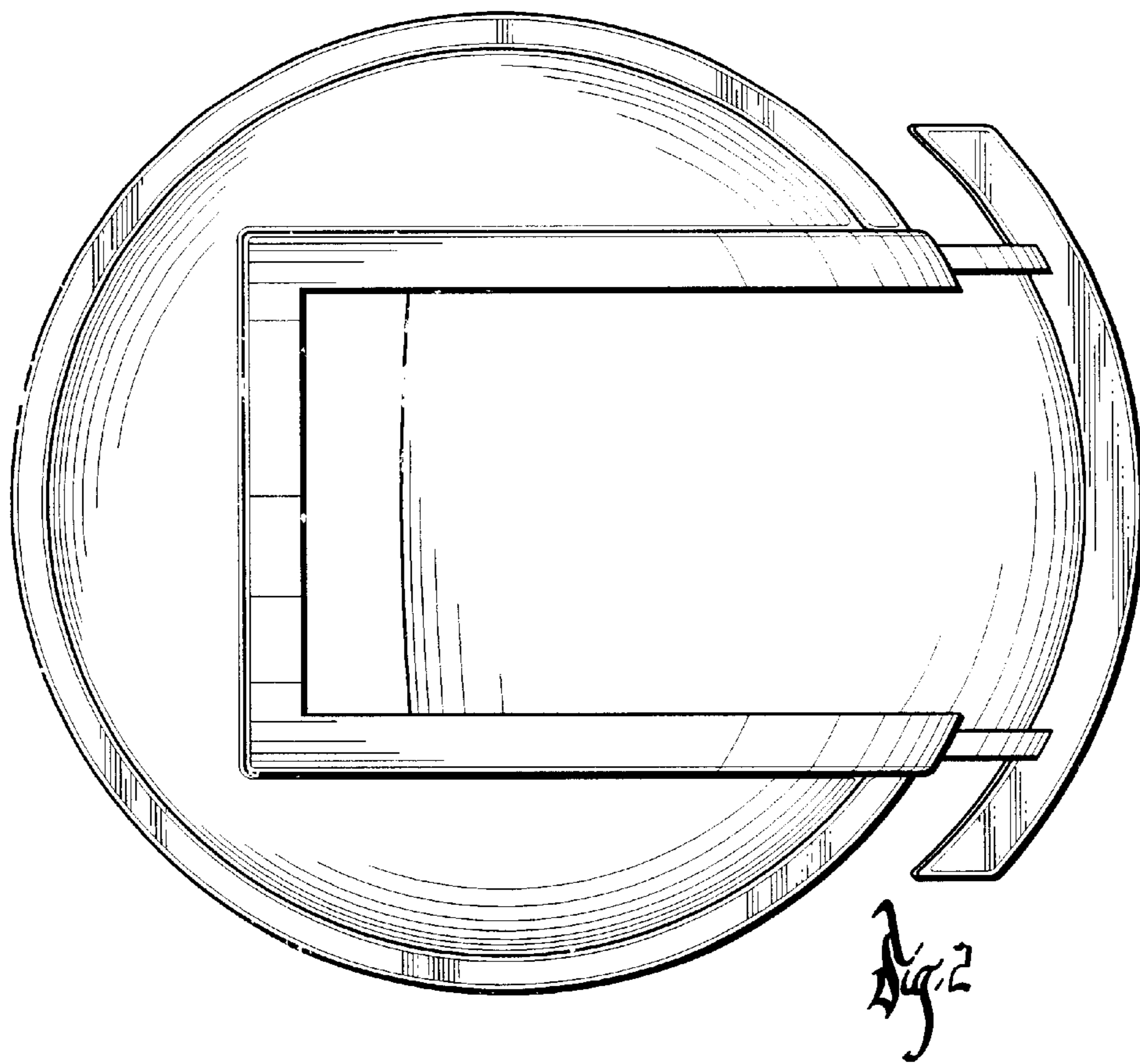
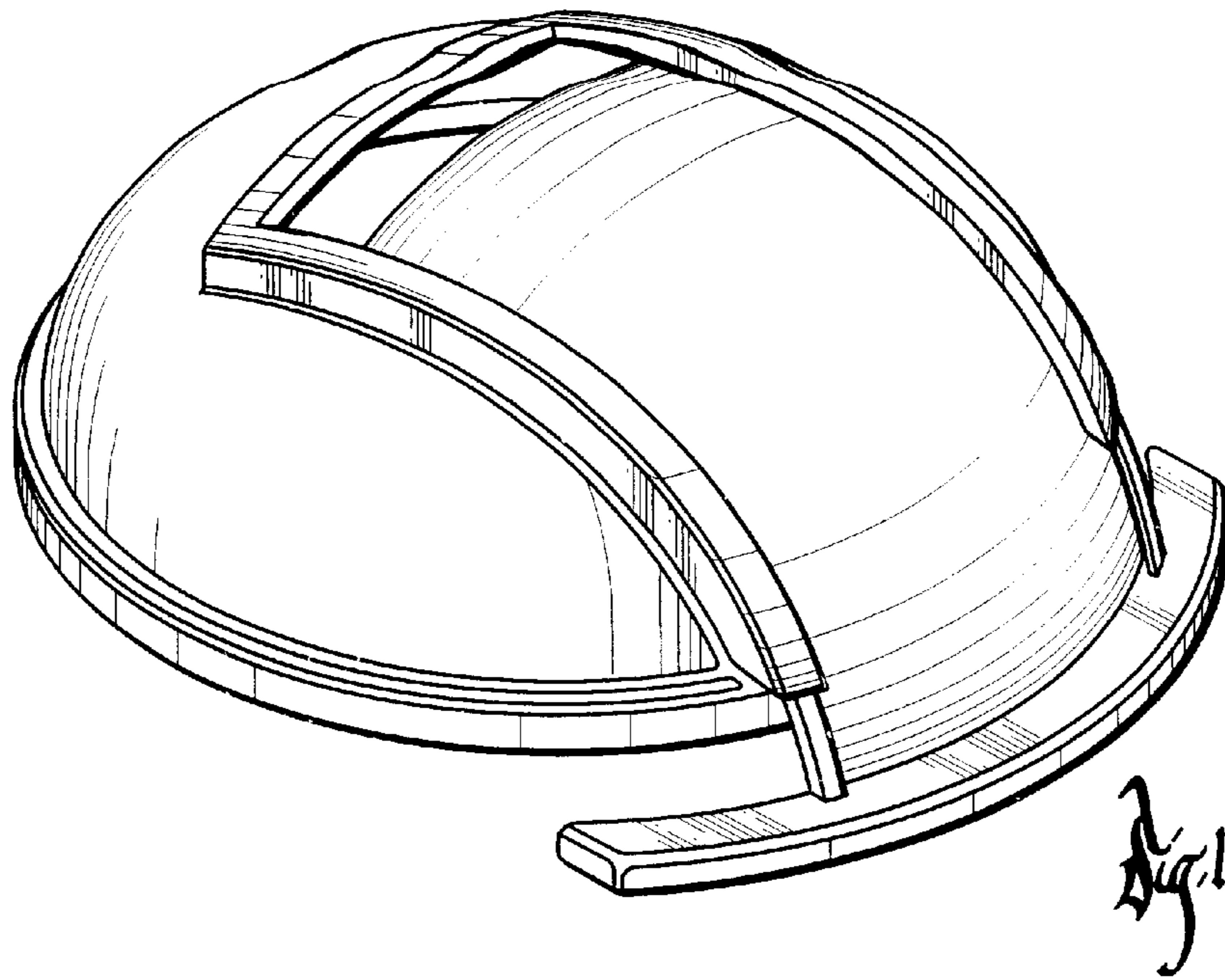
We claim the ornamental design for a trash can lid with slidably elbow-openable access door, as shown and described.

DESCRIPTION

FIG. 1 is a perspective view of a trash can lid with slidably elbow-openable access door showing our new design; FIG. 2 is a top plan view thereof; FIG. 3 is a front elevational view thereof; FIG. 4 is a right side elevational view thereof, the left side elevational view being a mirror image thereof; FIG. 5 is a rear elevational view thereof; and, FIG. 6 is a perspective view showing the trash can lid with slidably elbow-openable access door in use; the broken lines depict environmental structure for illustrative purposes only and form no part of the claimed design. All views show the door partially opened.

1 Claim, 3 Drawing Sheets





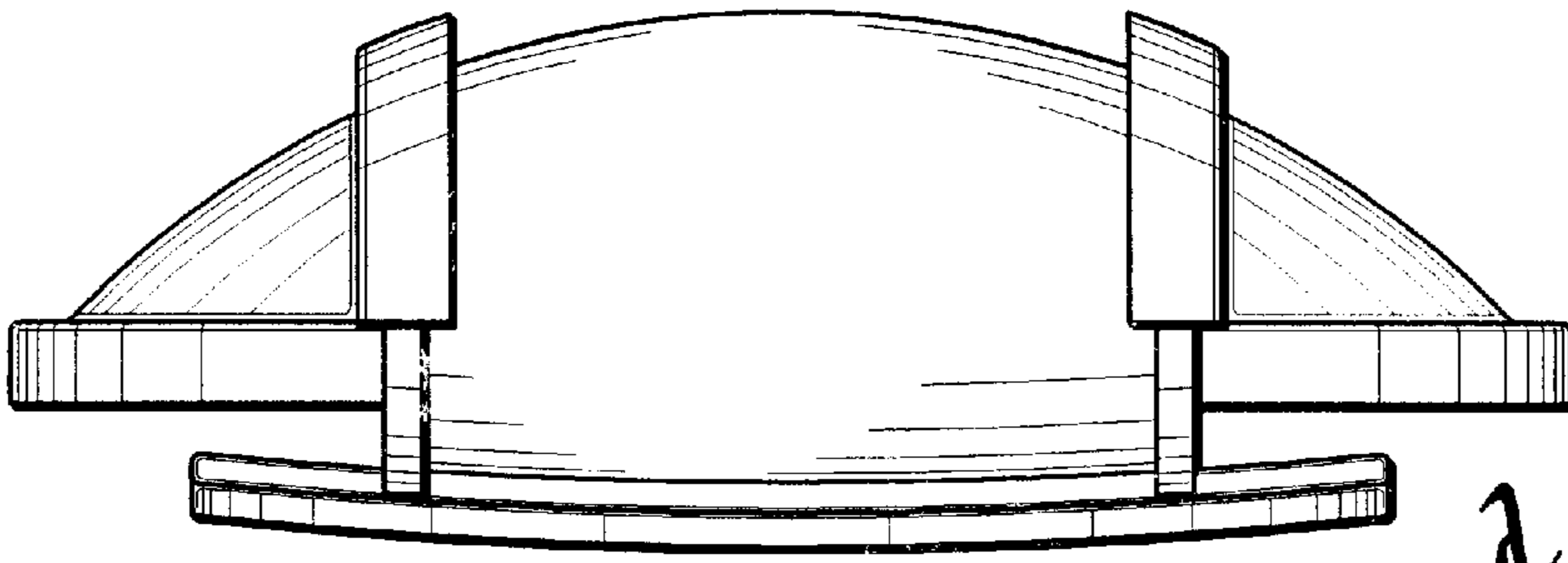


Fig. 3

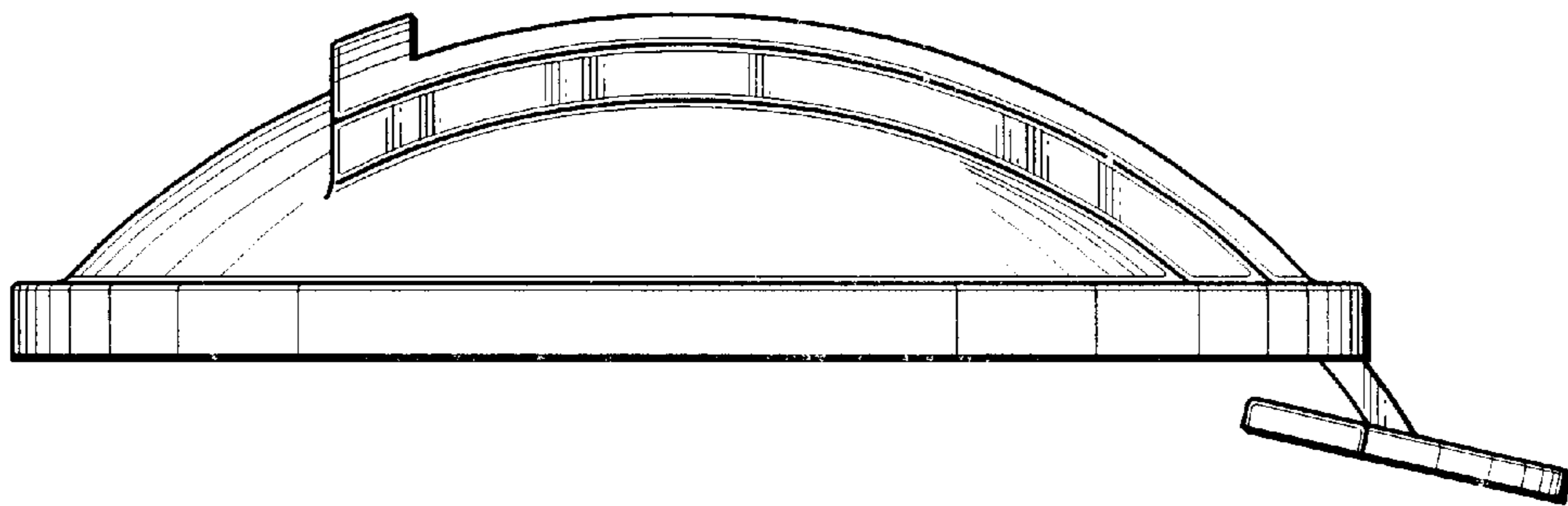


Fig. 4

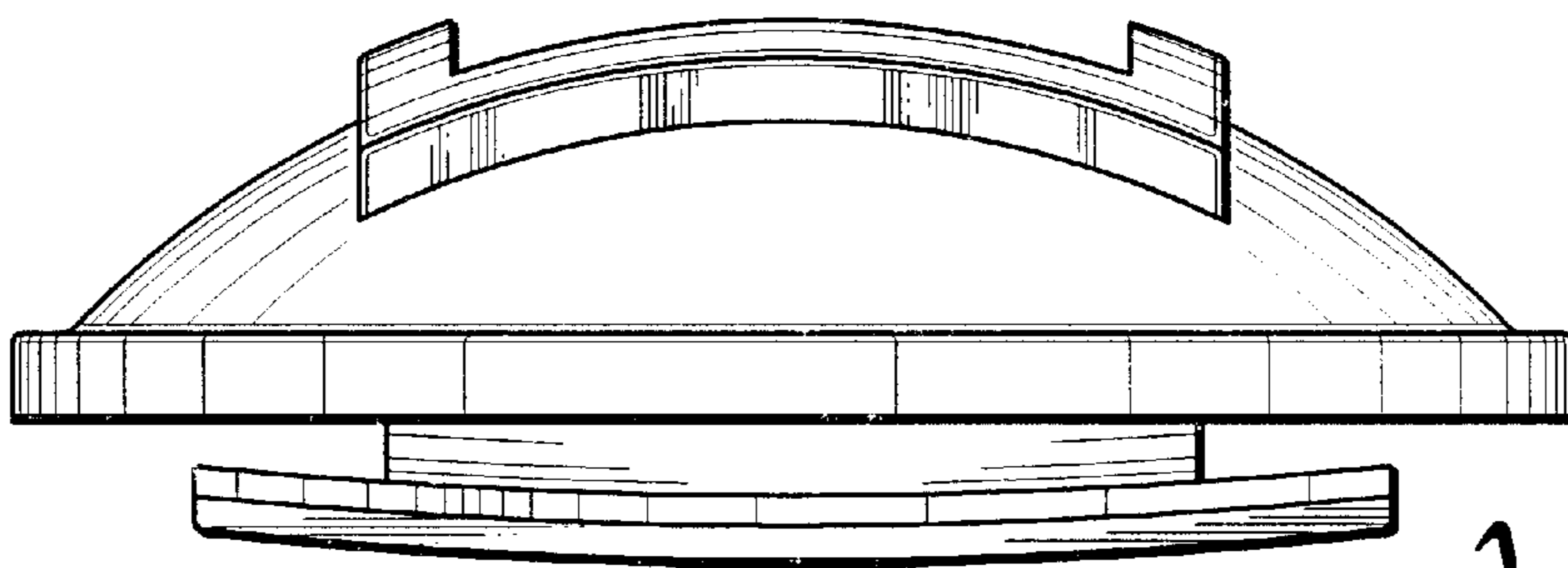


Fig. 5

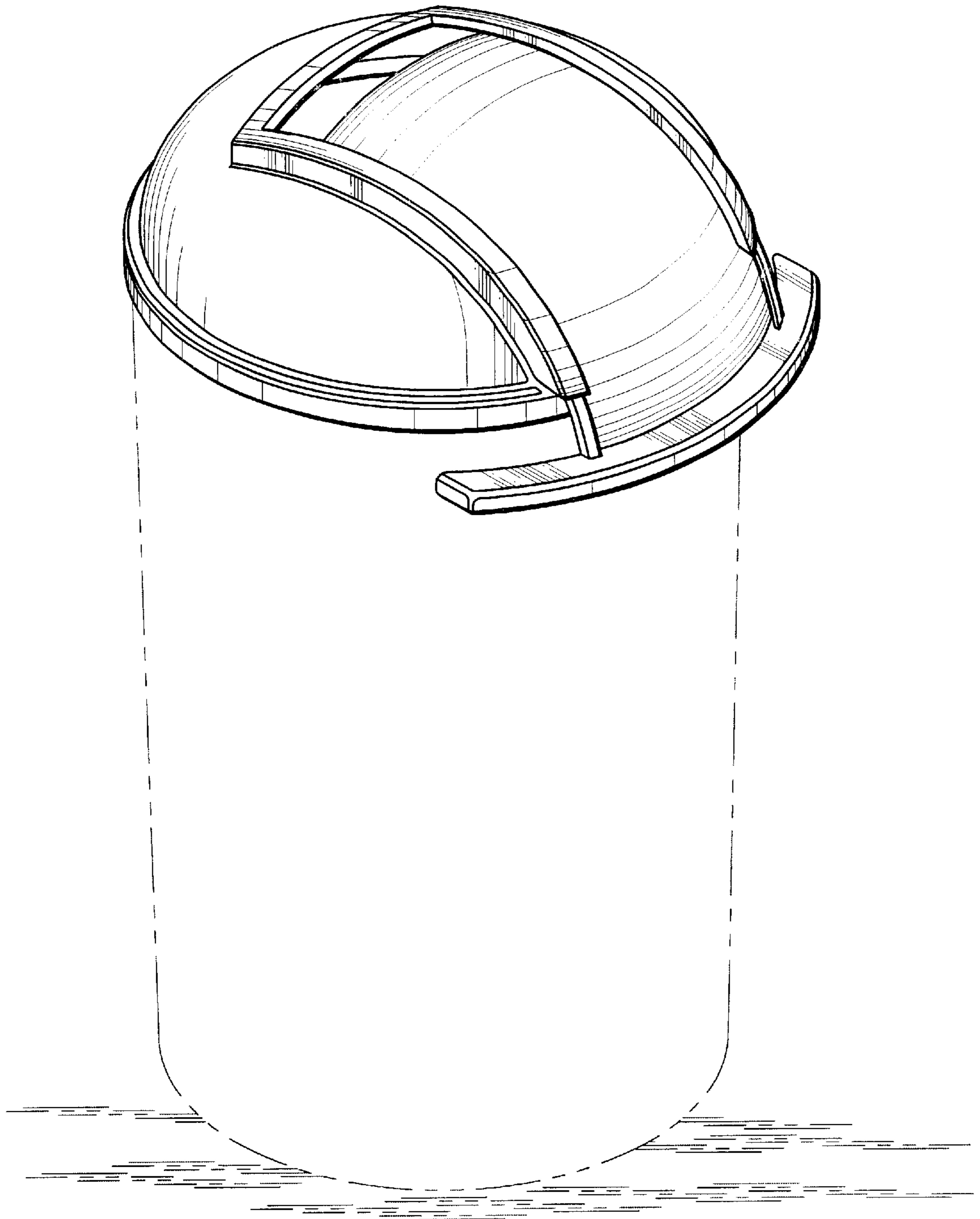


Fig. 6