



US00D485955S

(12) **United States Design Patent**
Johnson

(10) **Patent No.:** **US D485,955 S**

(45) **Date of Patent:** **** Jan. 27, 2004**

(54) **PAINT TRAY COVER**

(76) Inventor: **Rodney R. Johnson**, 163 Overbrook Dr., Elyria, OH (US) 44035

(**) Term: **14 Years**

(21) Appl. No.: **29/180,866**

(22) Filed: **May 1, 2003**

(51) **LOC (7) Cl.** **07-07**

(52) **U.S. Cl.** **D32/54**

(58) **Field of Search** D32/53.1, 54;
15/257.05, 257.06; 206/15.1, 15.2, 209,
361; 220/212, 570, 495.02

(56) **References Cited**

U.S. PATENT DOCUMENTS

4,445,250 A	5/1984	Seidl	
4,541,542 A	9/1985	Florentino	
4,547,926 A	10/1985	Kern	
4,651,379 A	3/1987	Kern	
4,802,576 A	2/1989	Kern	
5,316,137 A	5/1994	Kyllonen	
5,460,289 A	10/1995	Gemmell	
5,533,228 A	7/1996	Jarecki et al.	
5,553,701 A	9/1996	Jarecki et al.	
5,645,164 A	7/1997	Hocking	
5,645,167 A	7/1997	Conrad	
D400,329 S *	10/1998	Lindo D32/53.1
5,960,946 A	10/1999	Gramlich	
6,102,235 A	8/2000	Stern et al.	
6,196,410 B1	3/2001	Hocking	
6,530,470 B2	3/2003	Roundy	

* cited by examiner

Primary Examiner—Alan P. Douglas
Assistant Examiner—Lavone D. Tabor

(74) *Attorney, Agent, or Firm*—Eschweiler & Associates, LLC

(57) **CLAIM**

The ornamental design for a paint tray cover, as shown and described.

DESCRIPTION

FIG. 1 illustrates a perspective view of a first embodiment of a paint tray cover showing my new design.

FIG. 2 illustrates a top plan view of the paint tray cover of FIG. 1.

FIG. 3 illustrates a bottom plan view of the paint tray cover of FIG. 1.

FIG. 4 illustrates a front side elevation view of the paint tray cover of FIG. 1.

FIG. 5 illustrates a left side elevation view of the paint tray cover of FIG. 1.

FIG. 6 illustrates a right side elevation view of the paint tray cover of FIG. 1.

FIG. 7 illustrates a perspective view of a second embodiment of the paint tray cover.

FIG. 8 illustrates a top plan view of the paint tray cover of FIG. 7.

FIG. 9 illustrates a bottom plan view of the paint tray cover of FIG. 7.

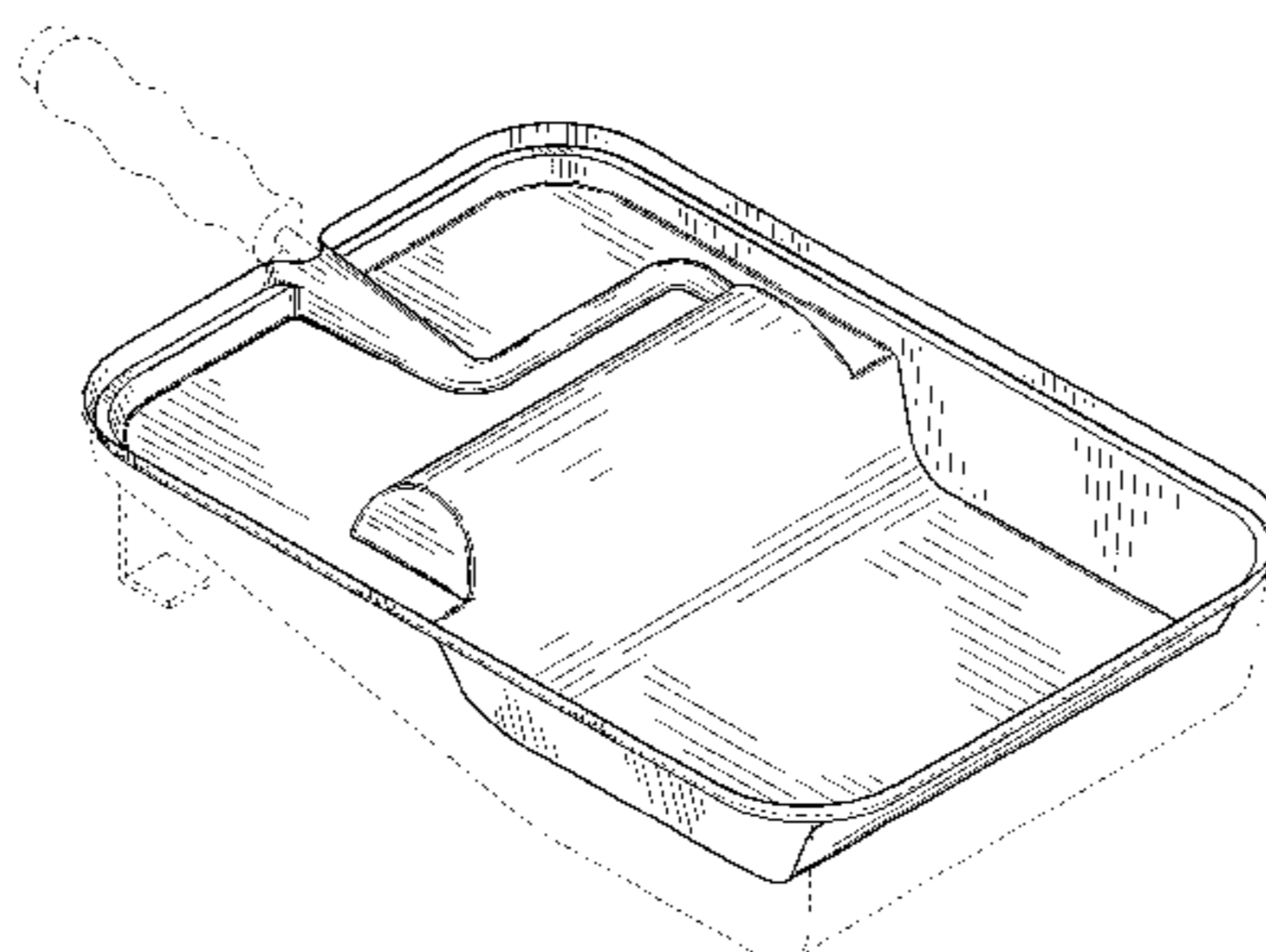
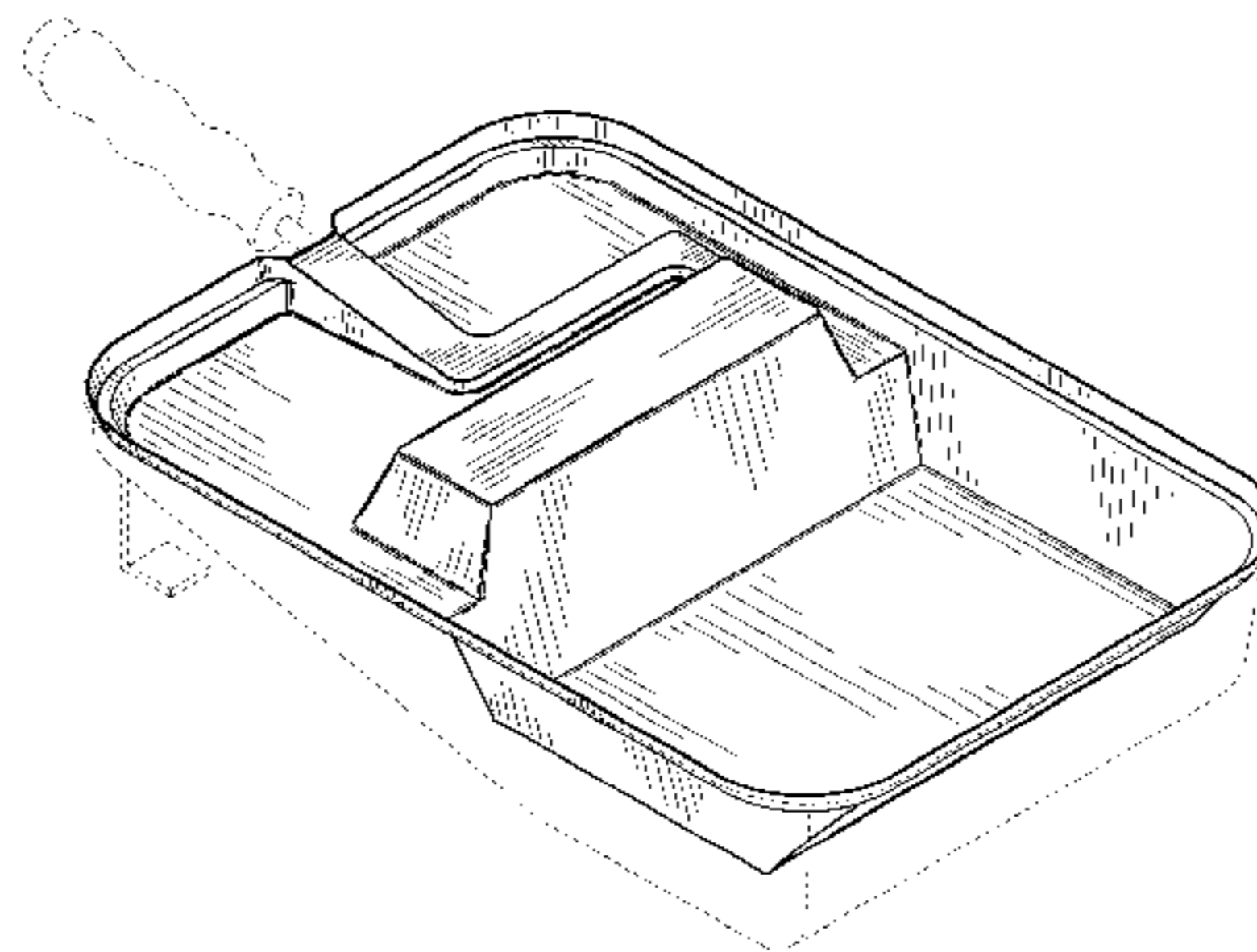
FIG. 10 illustrates a front side elevation view of the paint tray cover of FIG. 7.

FIG. 11 illustrates a left side elevation view of the paint tray cover of FIG. 7; and,

FIG. 12 illustrates a right side elevation view of the paint tray cover of FIG. 7.

The broken line structures shown in FIGS. 1 and 7 are for illustrative purposes only and form no part of the claimed design.

1 Claim, 4 Drawing Sheets



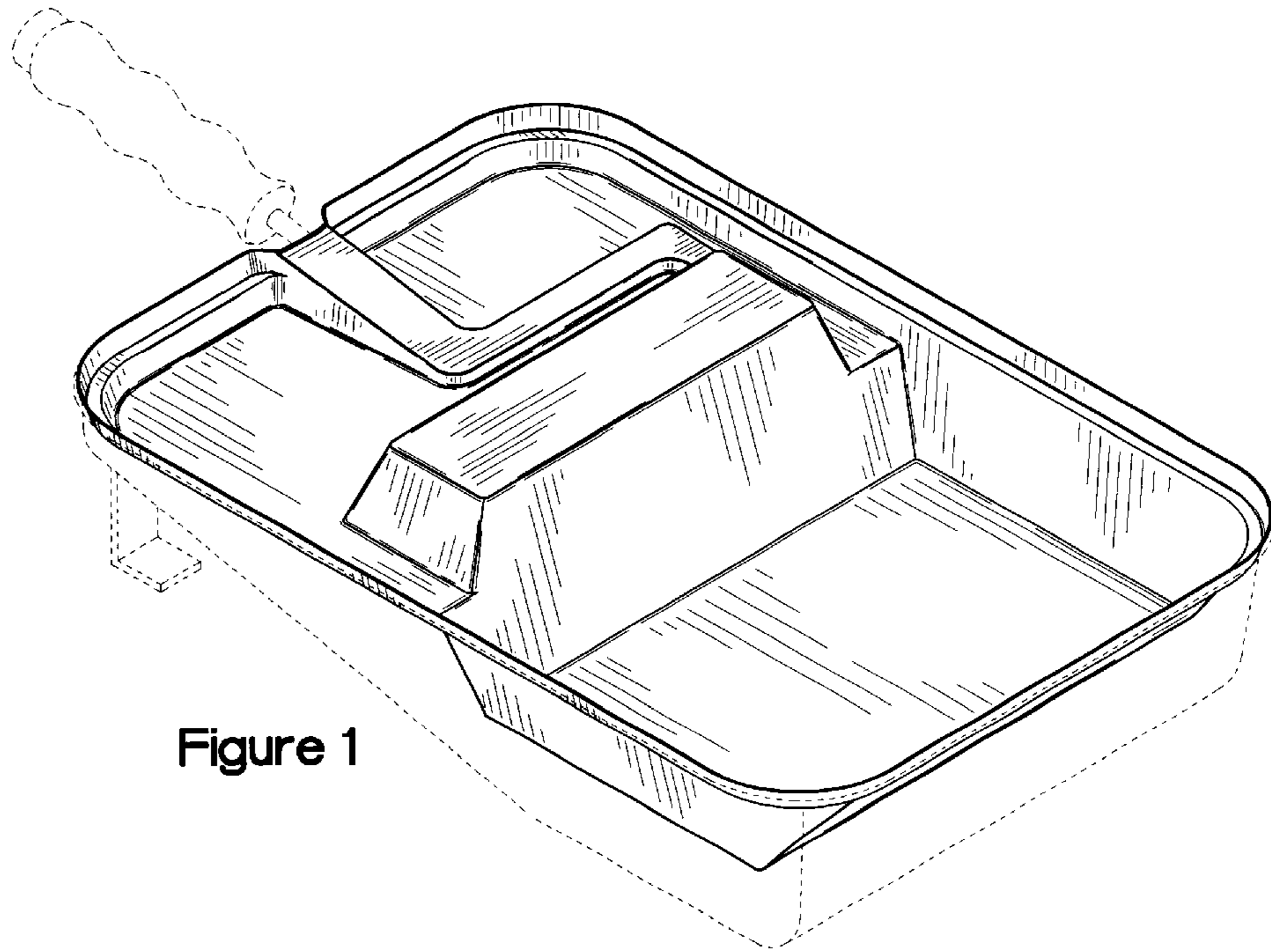


Figure 1

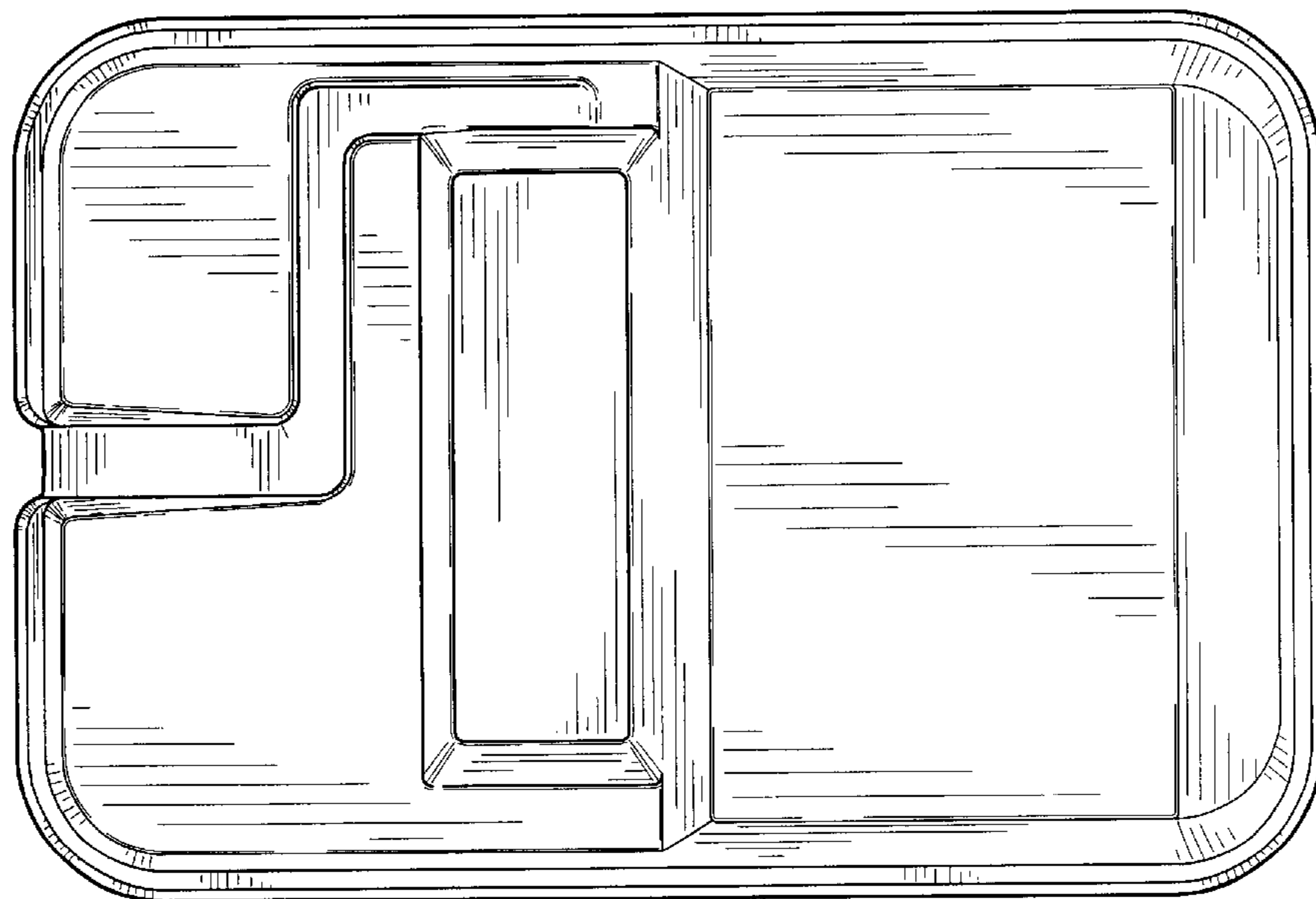


Figure 2

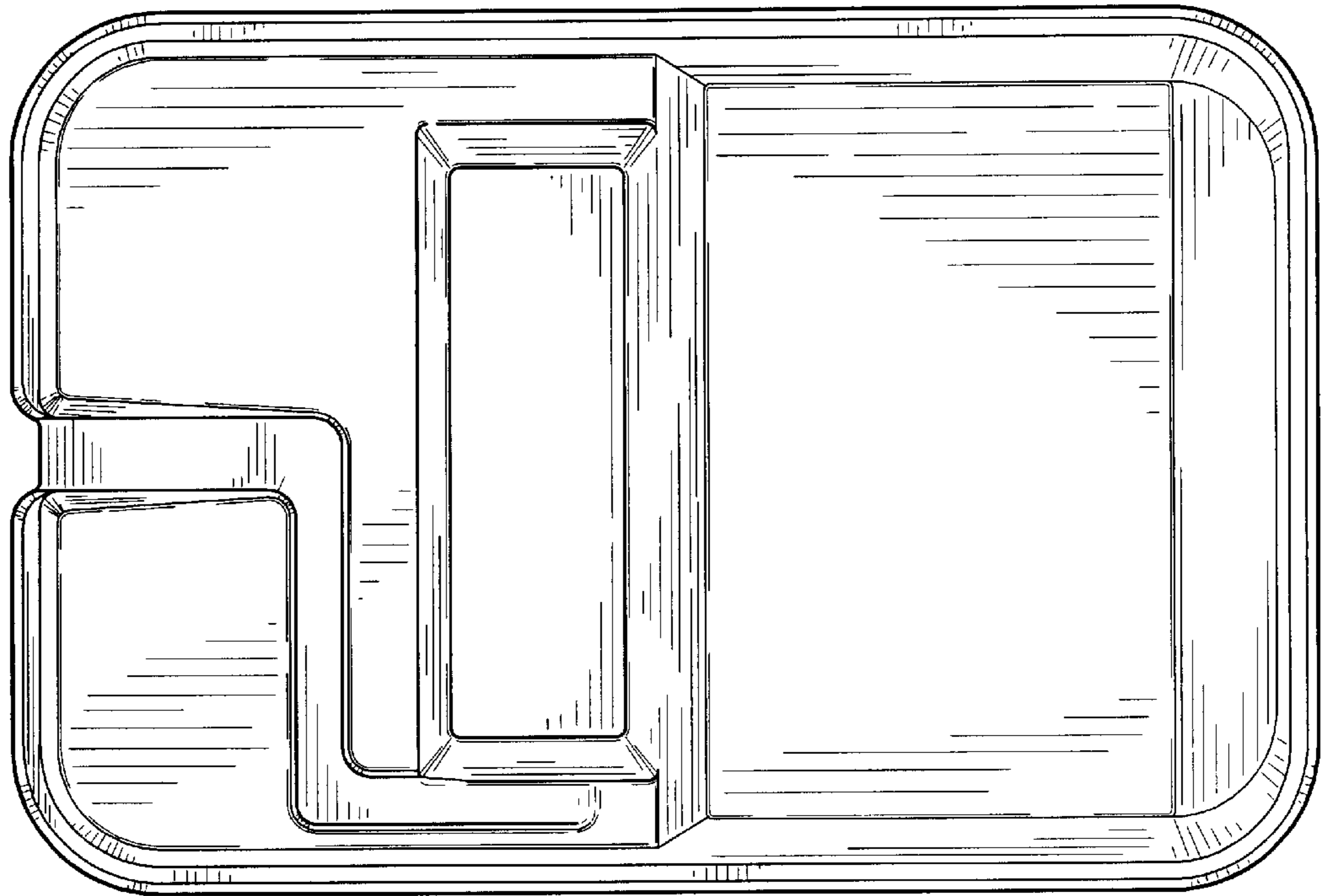


Figure 3

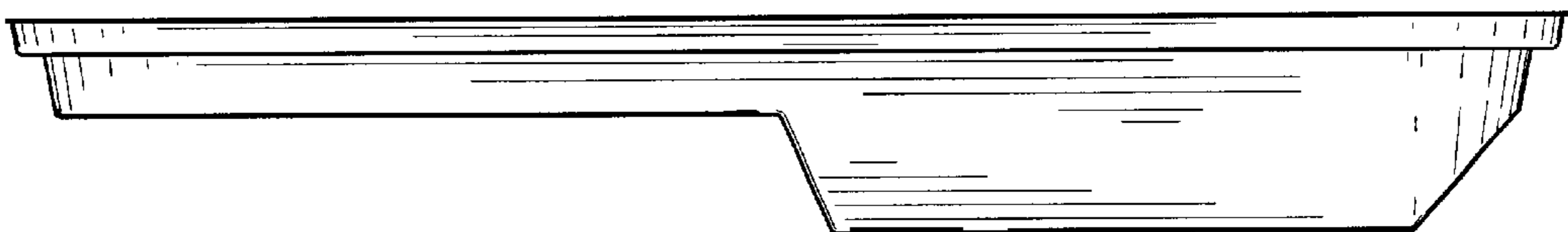


Figure 4

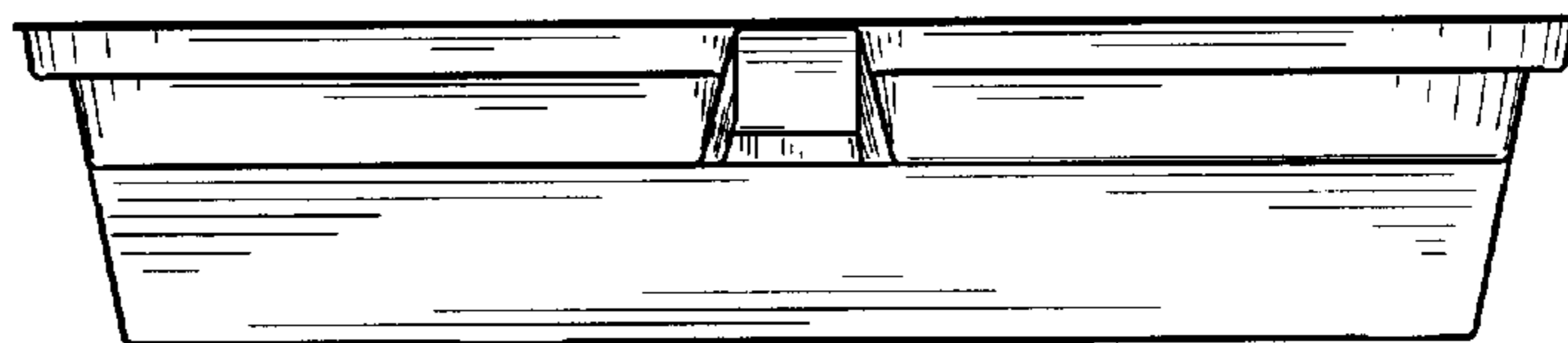


Figure 5

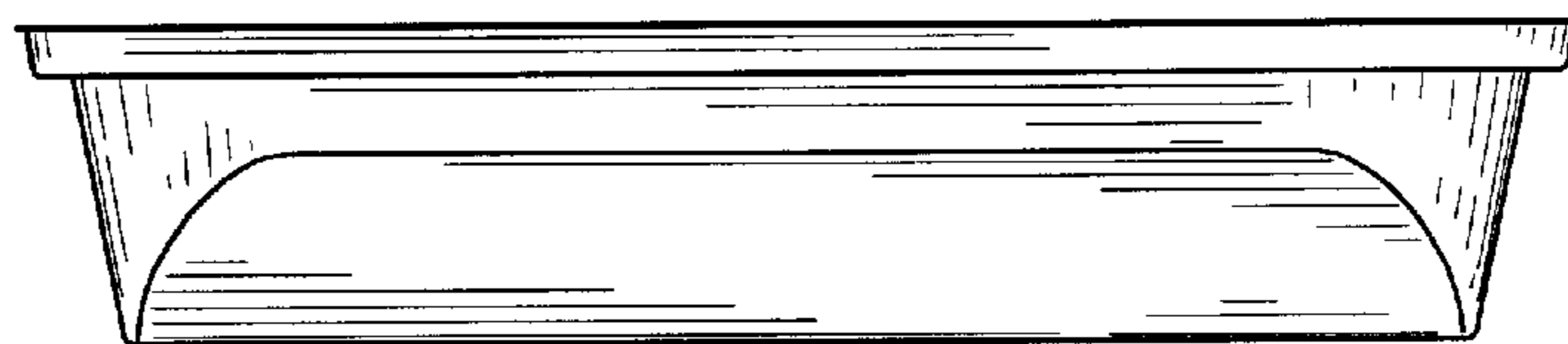


Figure 6

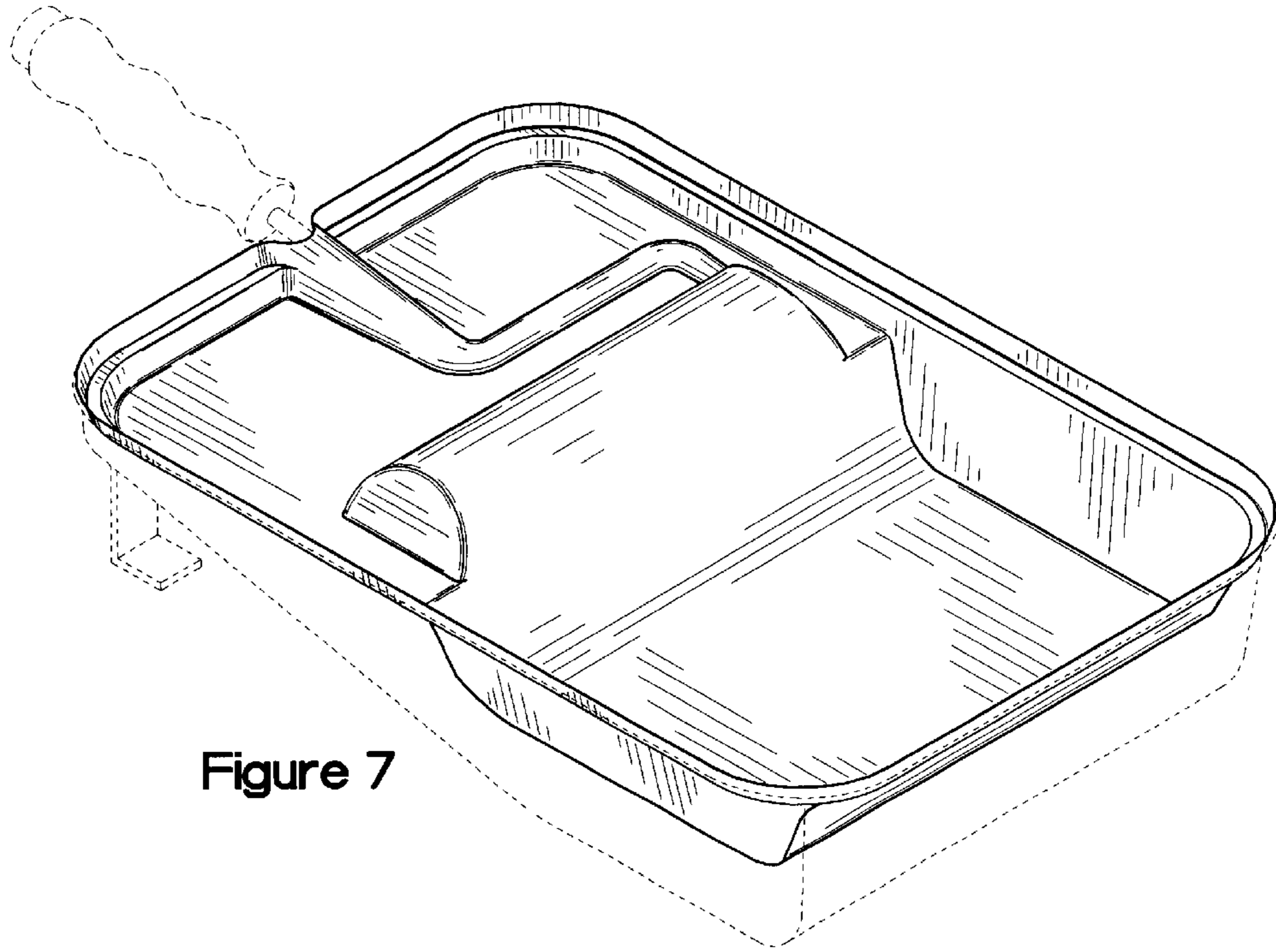


Figure 7

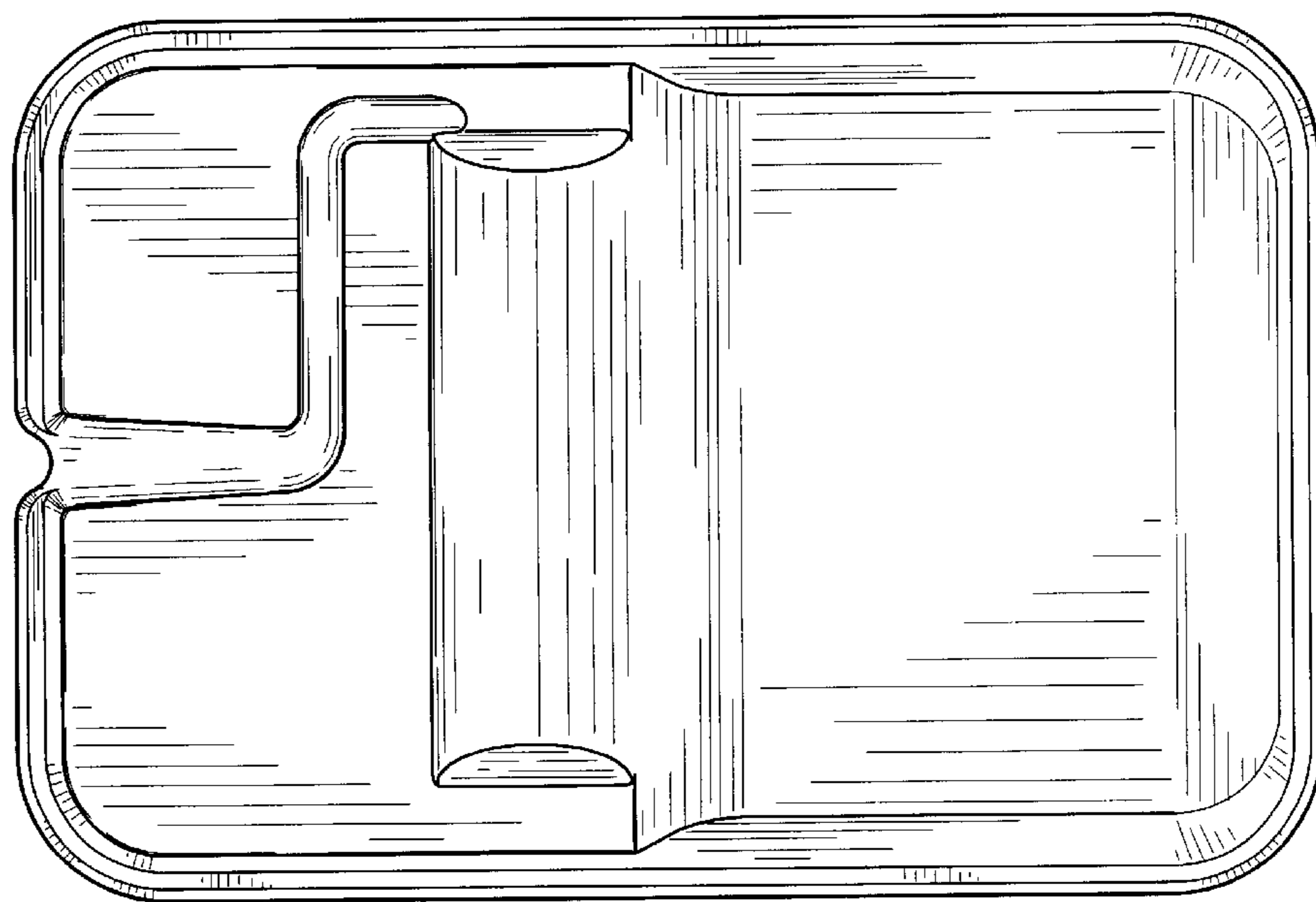


Figure 8

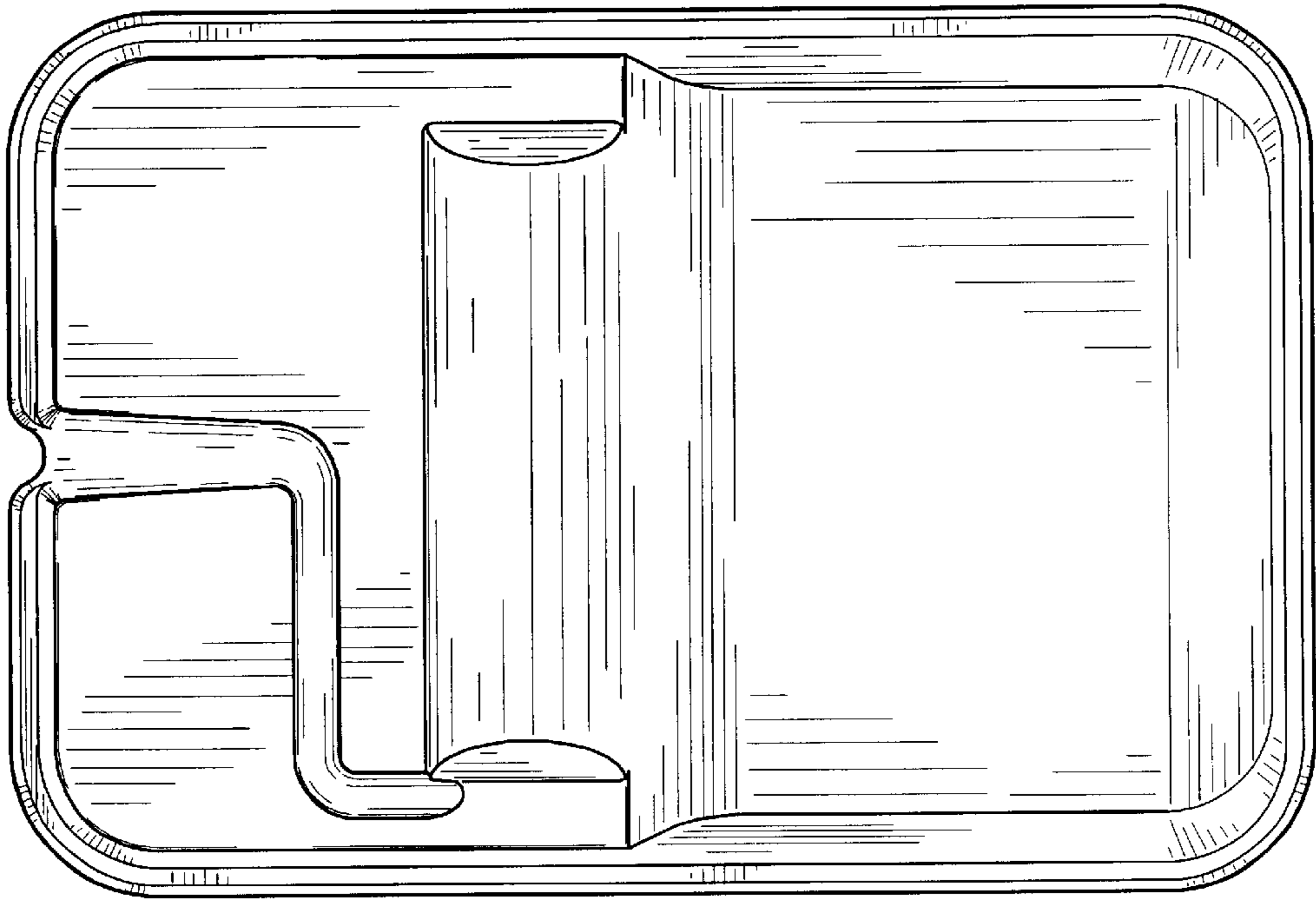


Figure 9



Figure 10

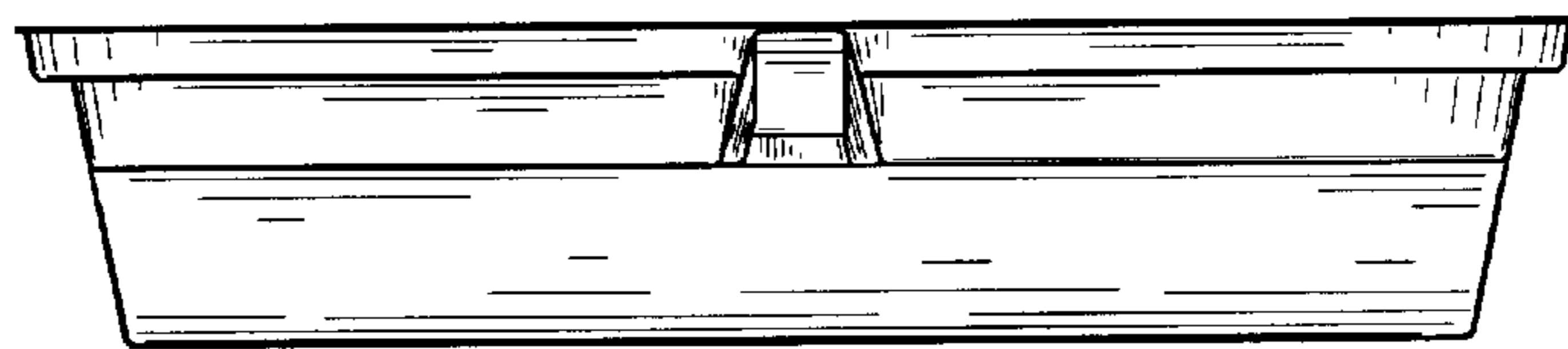


Figure 11

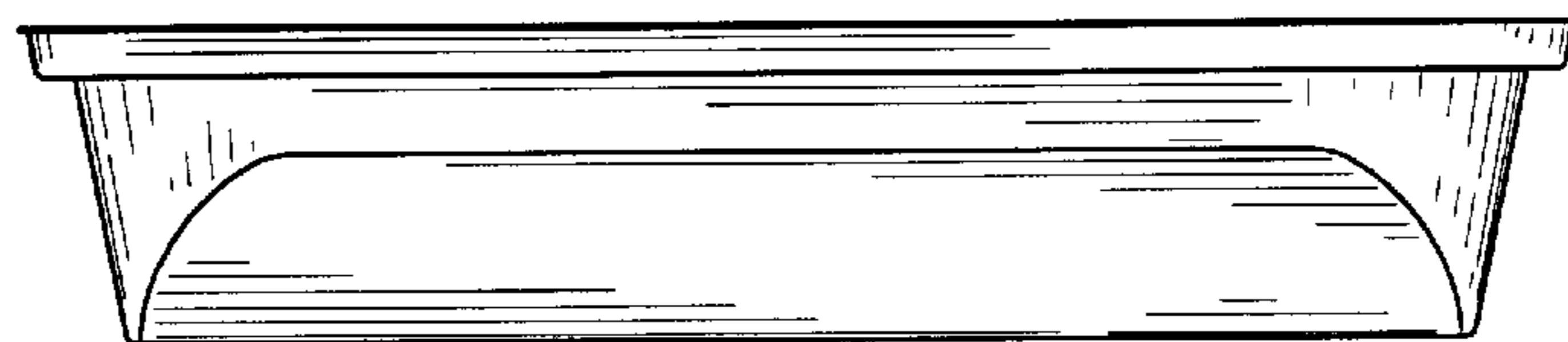


Figure 12