



US00D485953S

(12) **United States Design Patent**  
**Greene et al.**

(10) **Patent No.:** **US D485,953 S**

(45) **Date of Patent:** **\*\* Jan. 27, 2004**

(54) **BAGLESS CANISTER VACUUM**

(75) Inventors: **Mason I. Greene**, Danville, KY (US);  
**Ron E. Davis**, Danville, KY (US)

(73) Assignee: **Matsushita Electric Corporation of America**, Secaucus, NJ (US)

(\*\*) Term: **14 Years**

(21) Appl. No.: **29/167,667**

(22) Filed: **Sep. 18, 2002**

(51) **LOC (7) Cl.** ..... **15-05**

(52) **U.S. Cl.** ..... **D32/21**

(58) **Field of Search** ..... D32/21, 31, 23-24,  
D32/1; 15/327.1, 327.2, 327.3, 327.4, 327.6,  
327.7, 323, 320-321; 55/345

(56) **References Cited**

**U.S. PATENT DOCUMENTS**

5,740,583 A	4/1998	Shimada et al.	
D394,527 S	* 5/1998	Pochopien et al.	..... D32/21
D394,528 S	* 5/1998	Pochopien et al.	..... D32/21
D398,098 S	9/1998	Mehaffey et al.	
D399,616 S	10/1998	Bobrosky et al.	
D399,617 S	* 10/1998	Fujita	..... D32/21

D403,475 S	12/1998	Mehaffey et al.	
D430,366 S	* 8/2000	Sato et al.	..... D32/21
D432,746 S	10/2000	Frey	
6,145,160 A	* 11/2000	Buss et al.	..... 15/323
D453,244 S	1/2002	Murphy et al.	
D455,529 S	* 4/2002	Wu	..... D32/21
D476,783 S	* 7/2003	Kondo et al.	..... D32/21

\* cited by examiner

*Primary Examiner*—Ruth McInroy

(74) *Attorney, Agent, or Firm*—King & Schickli, PLLC

(57) **CLAIM**

The ornamental design of a bagless canister vacuum, as shown and described.

**DESCRIPTION**

FIG. 1 is a perspective view of a bagless canister vacuum showing our new design;  
FIG. 2 is a front elevational view thereof;  
FIG. 3 is a rear elevational view thereof;  
FIG. 4 is a left side elevational view thereof;  
FIG. 5 is a right side elevational view thereof;  
FIG. 6 is a bottom plan view thereof; and,  
FIG. 7 is a top plan view thereof.

**1 Claim, 4 Drawing Sheets**

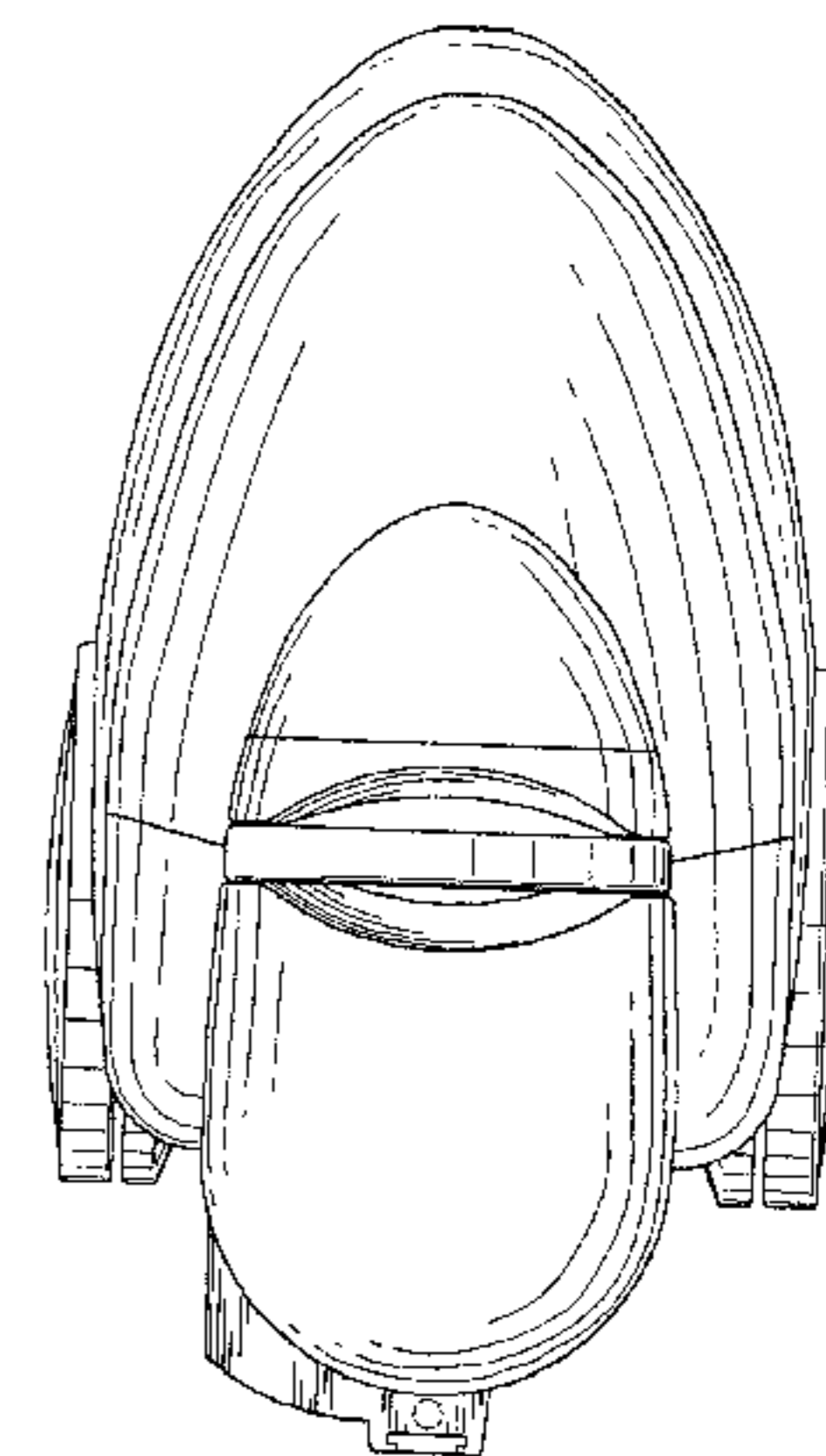
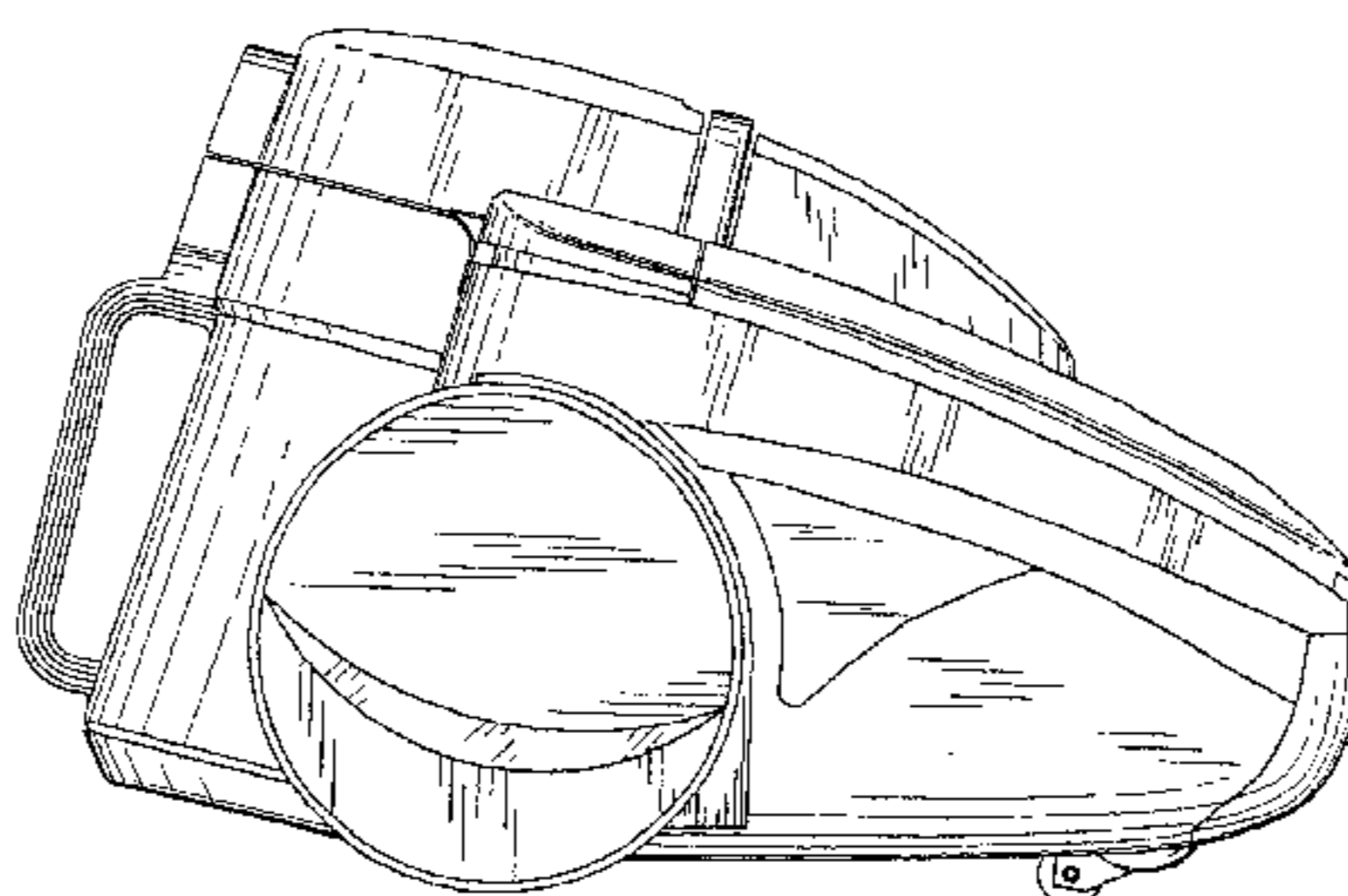
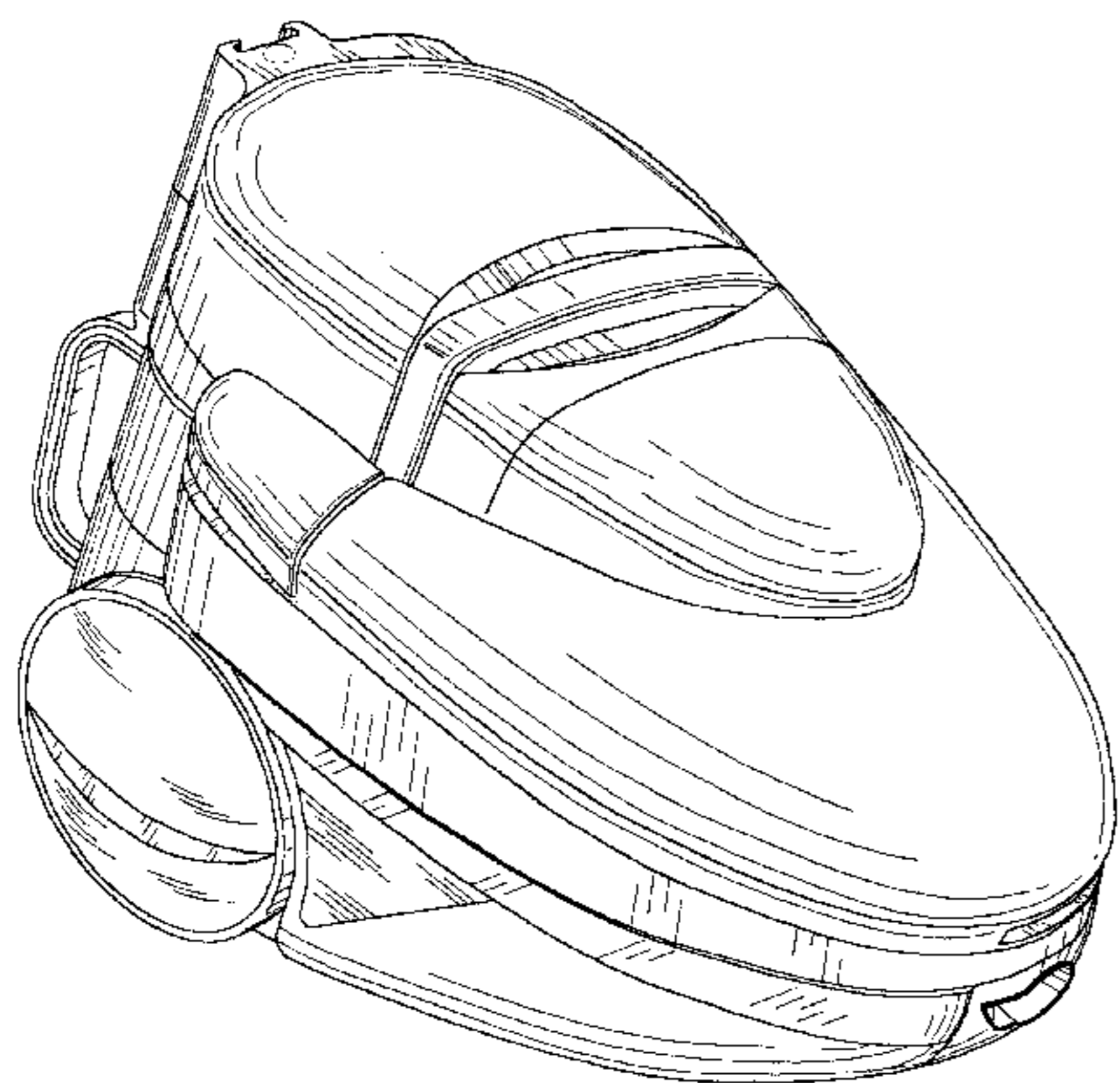


FIG. 1

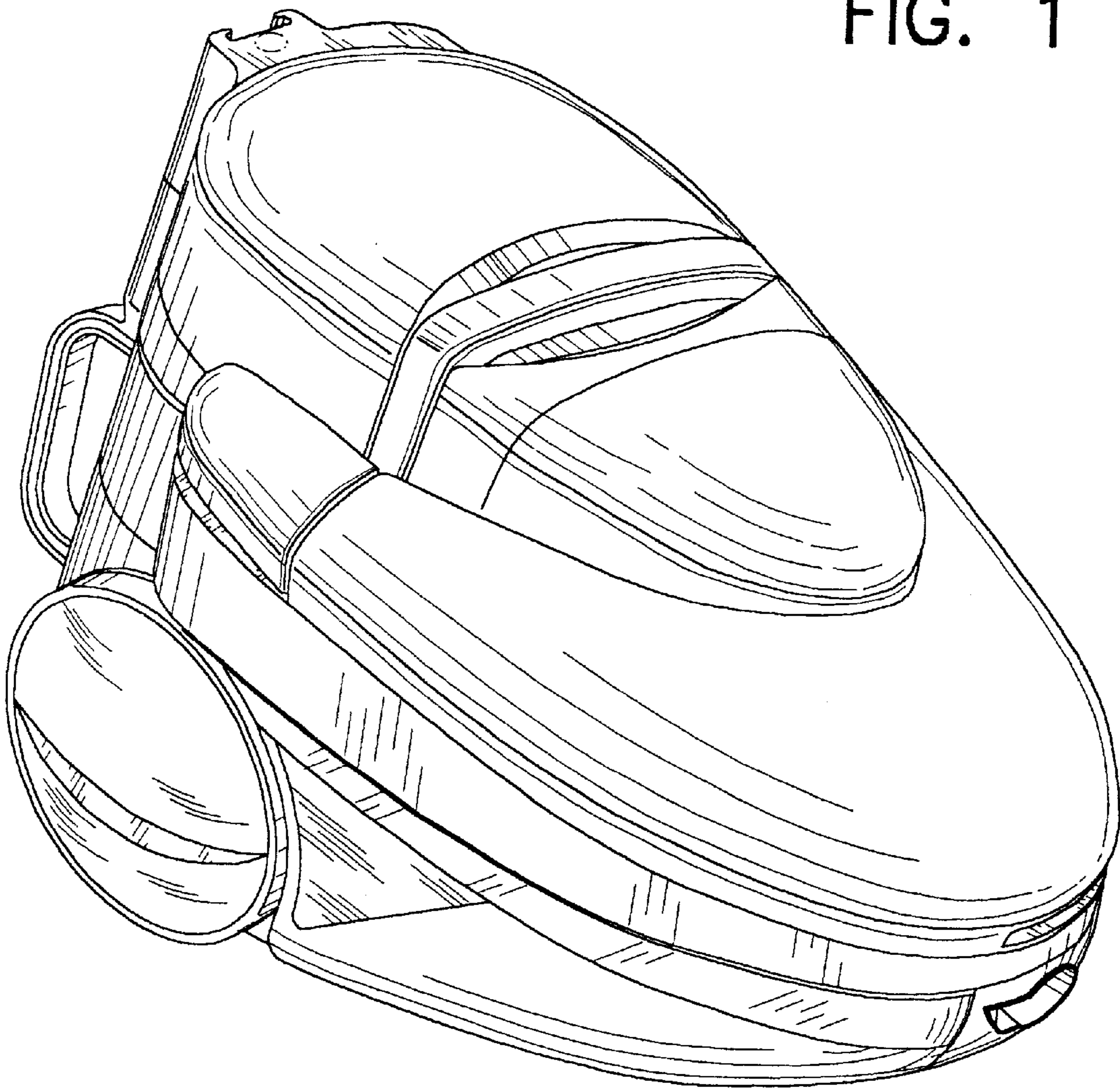


FIG. 2

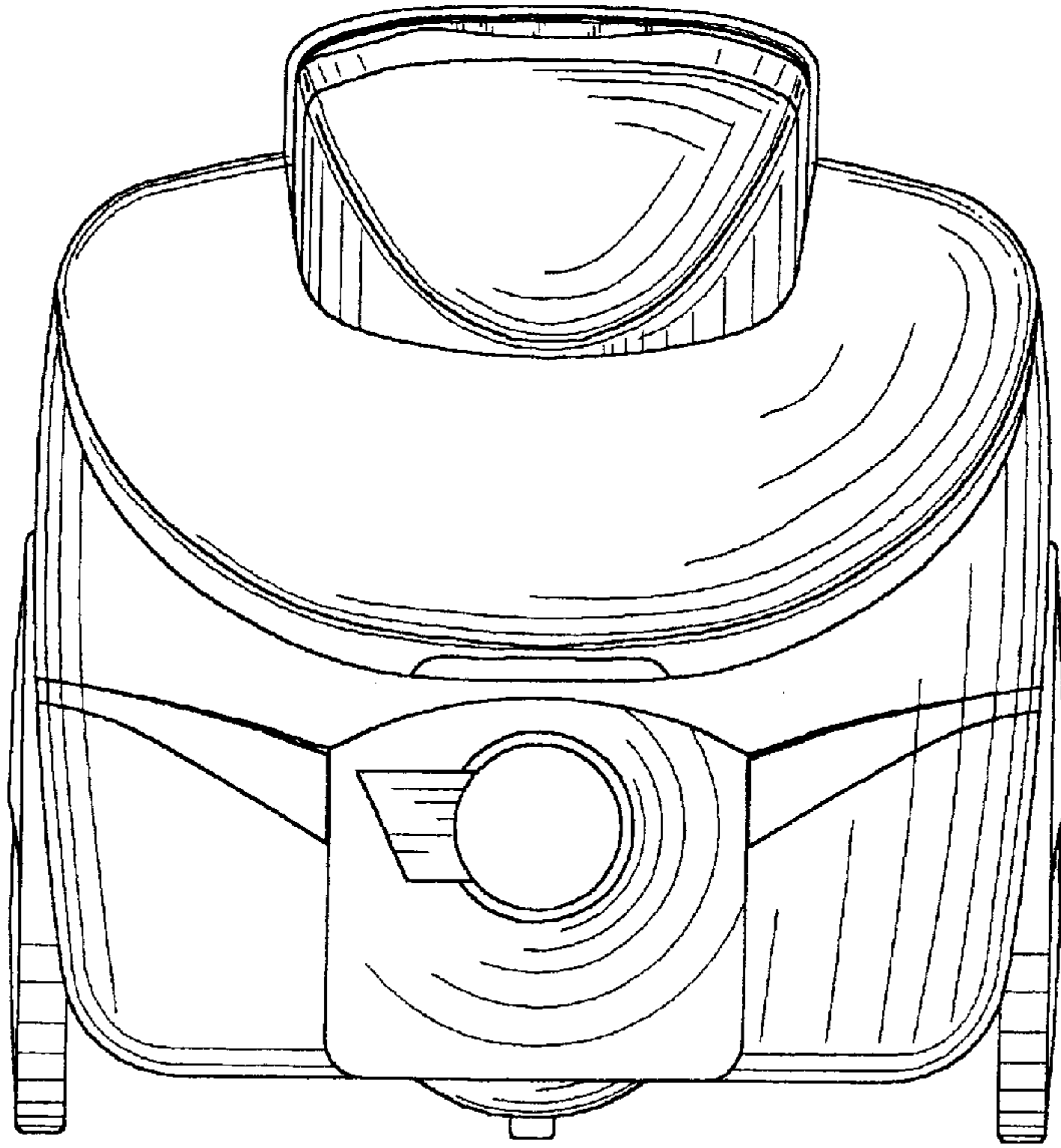


FIG. 3

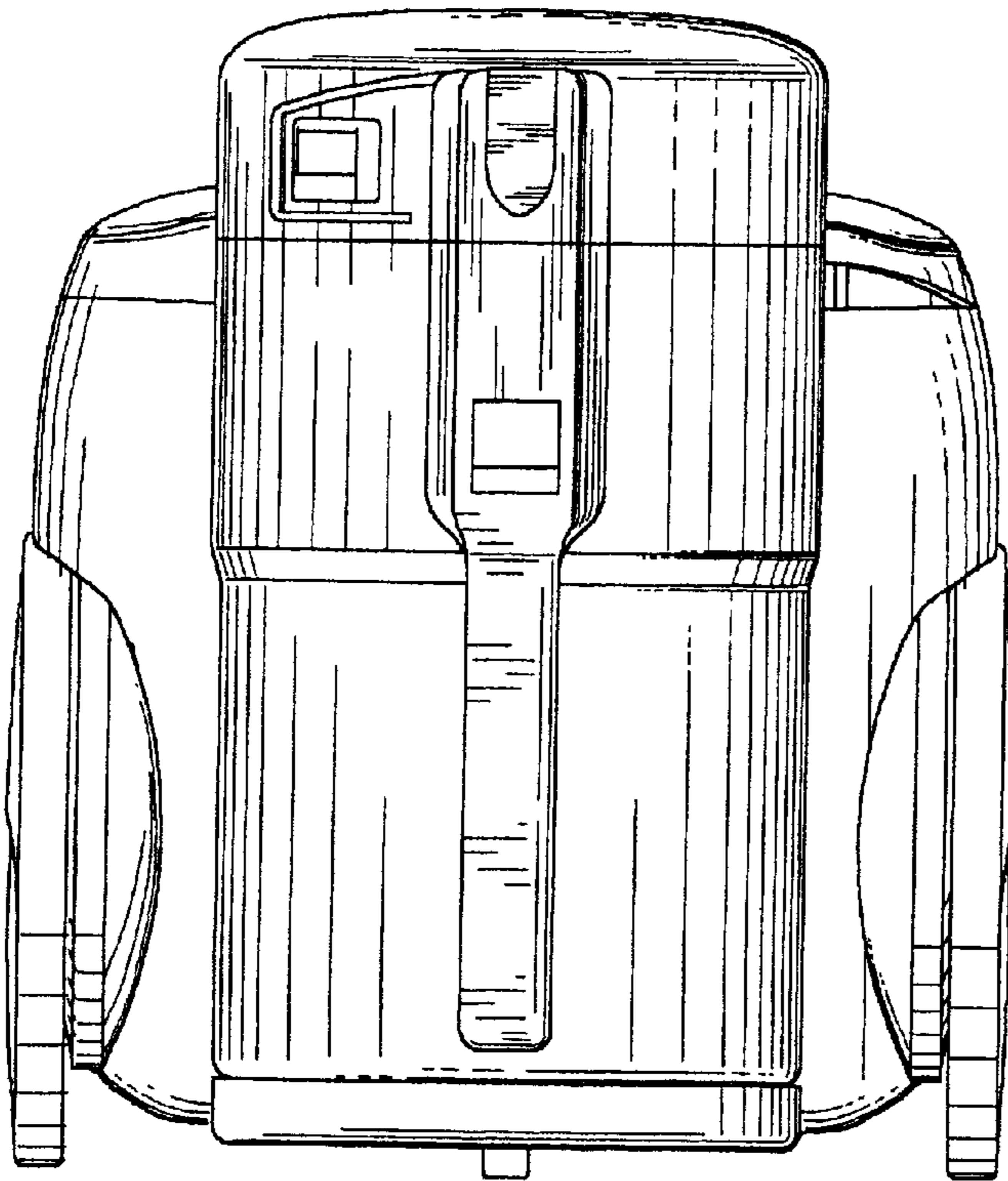




FIG. 4

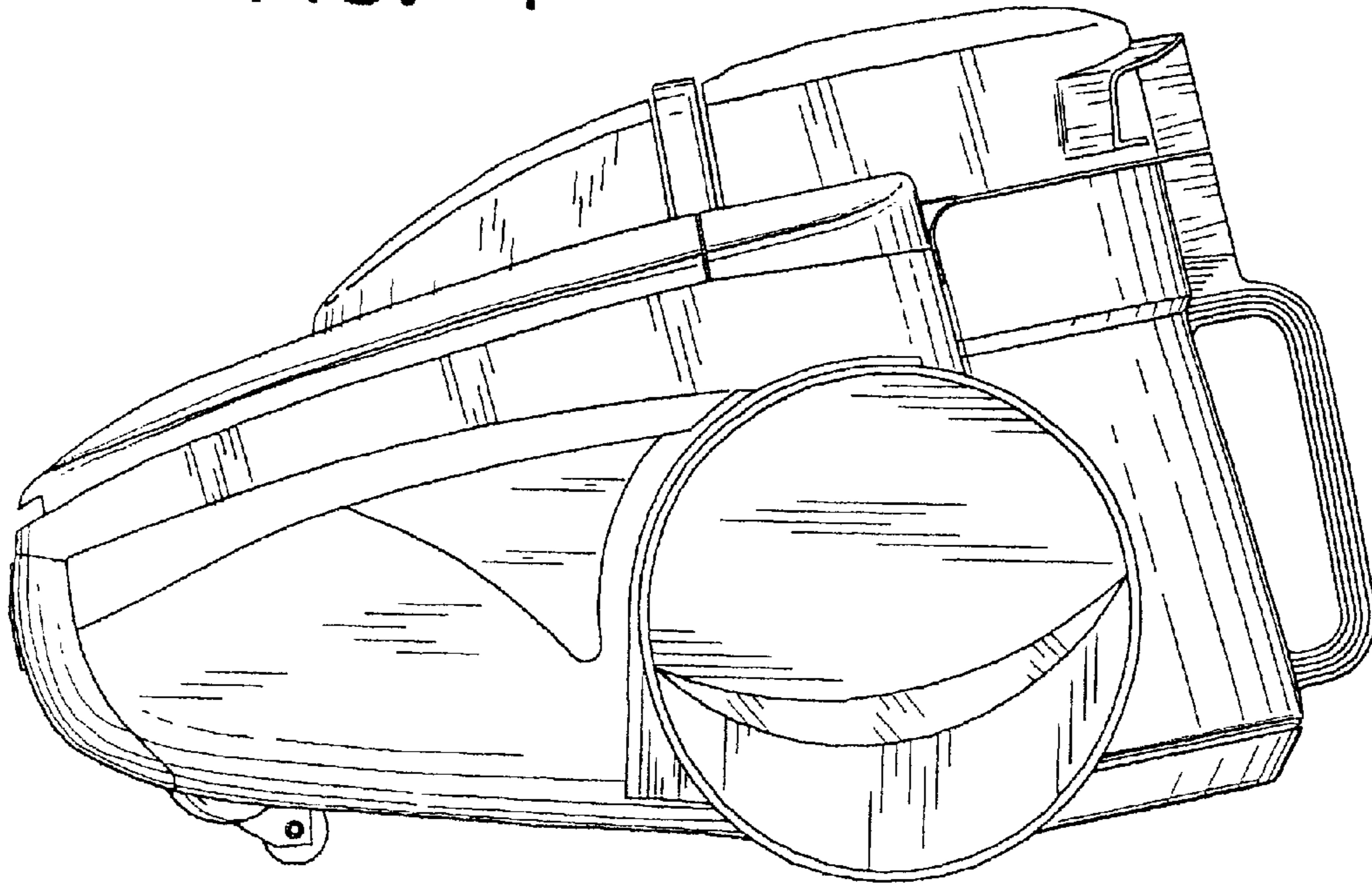
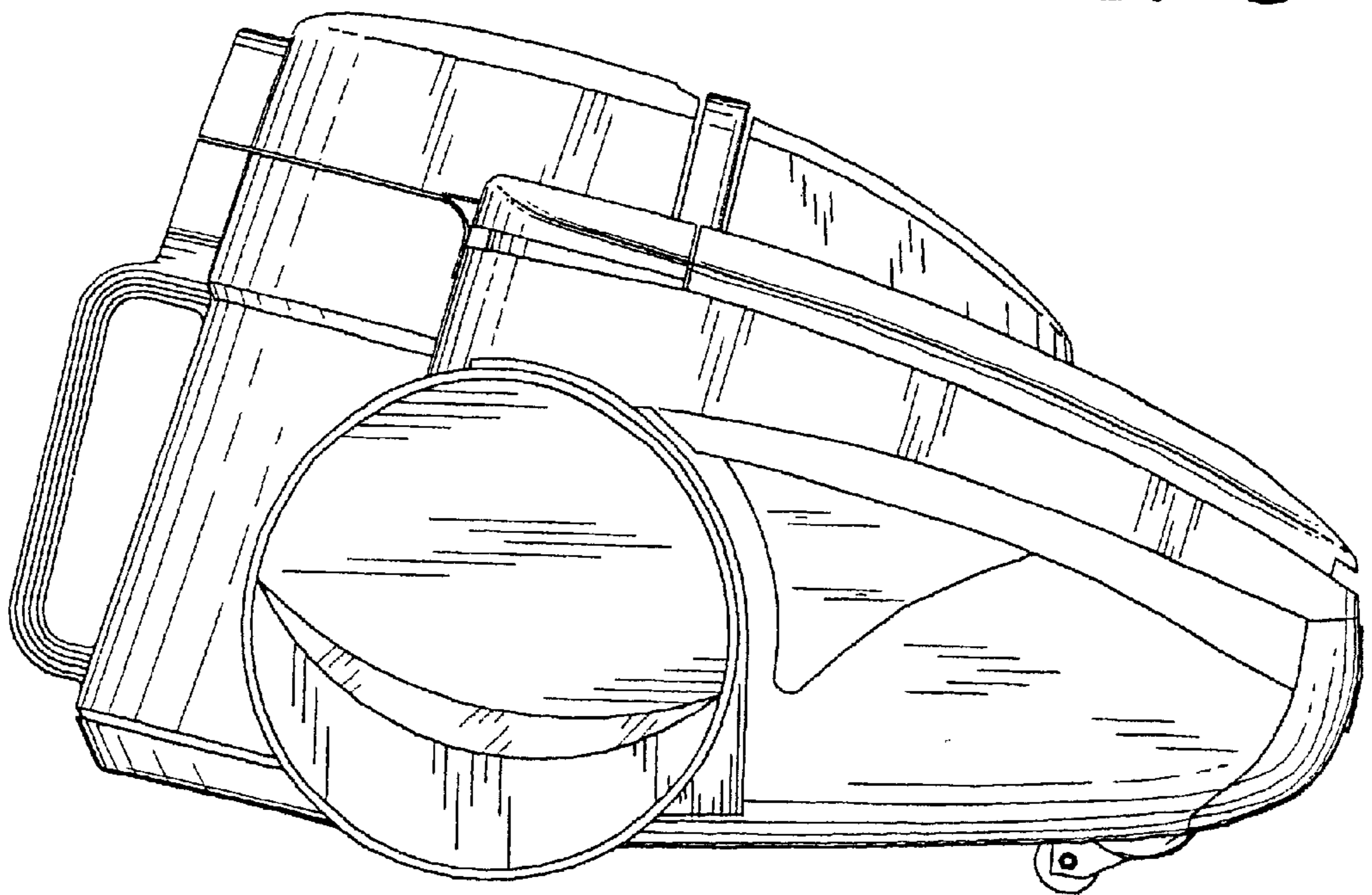


FIG. 5



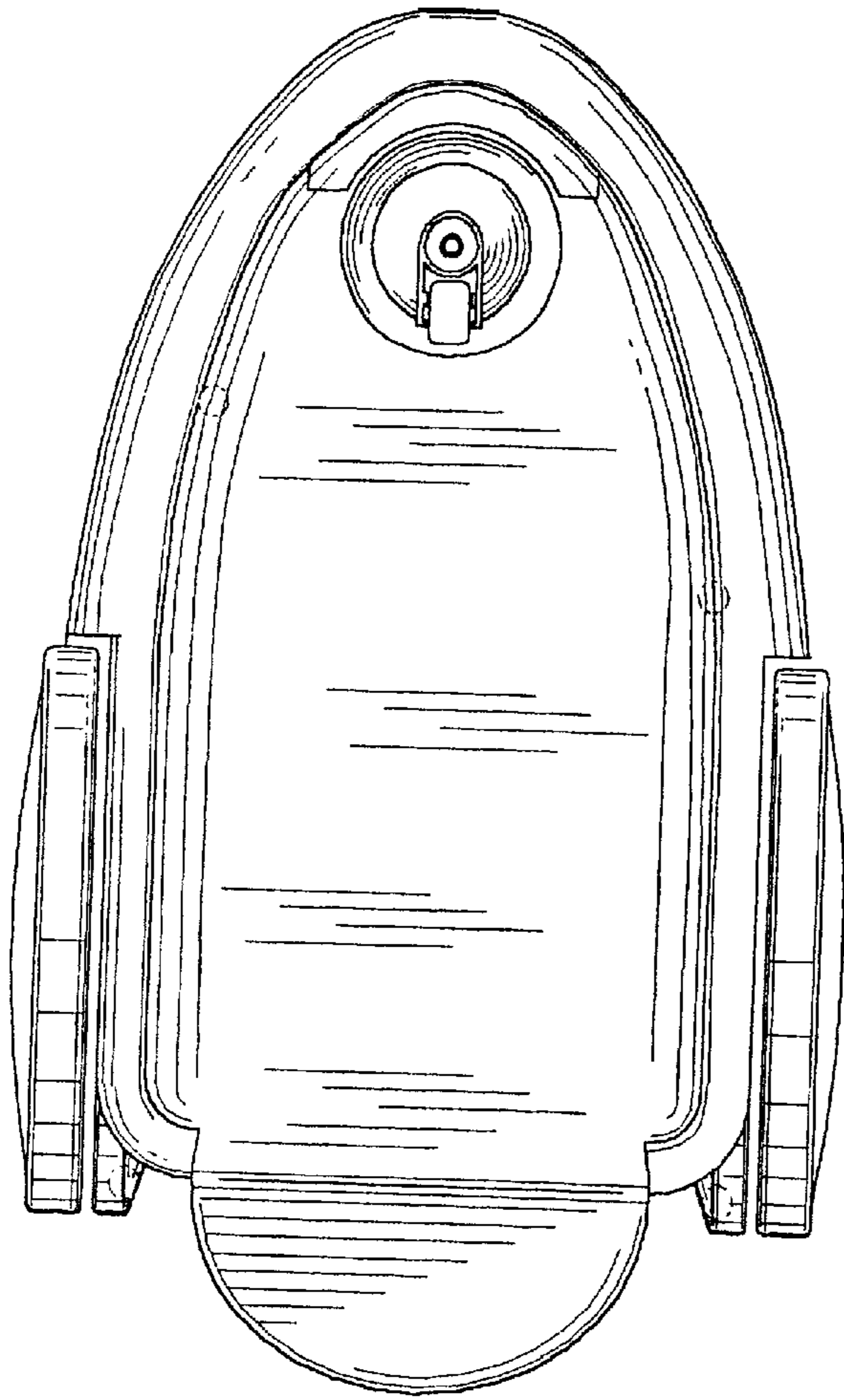


FIG. 6

FIG. 7

