



US00D485951S

(12) **United States Design Patent**
Gabriel et al.

(10) **Patent No.:** **US D485,951 S**

(45) **Date of Patent:** **** Jan. 27, 2004**

(54) **WATER BOTTLE FOR RODENT CAGE**

D252,735 S * 8/1979 Grodin D9/544
D420,772 S * 2/2000 Gabriel et al. D30/121
6,079,361 A * 6/2000 Bowell et al. 119/72

(75) Inventors: **George S. Gabriel**, Seaford, DE (US);
Neil Campbell, Eden, MD (US); **Chin Soo Park**, Salisbury, MD (US); **Lynn Irwin**, Seaford, DE (US); **Rodney Gerringer**, Belcamp, MD (US); **Dale R. Murray**, Elkton, MD (US)

* cited by examiner

Primary Examiner—Pamela Burgess
(74) *Attorney, Agent, or Firm*—Stroock & Stroock & Lavan LLP

(73) Assignee: **Lab Products, Inc.**, Seaford, DE (US)

(57) **CLAIM**

(**) Term: **14 Years**

The ornamental design for a water bottle for rodent cage, as shown and described.

(21) Appl. No.: **29/132,102**

DESCRIPTION

(22) Filed: **Nov. 2, 2000**

(51) **LOC (7) Cl.** **30-03**

(52) **U.S. Cl.** **D30/132**

(58) **Field of Search** D30/121-122,
D30/132, 133; 119/419, 416, 454, 464,
51.5, 41.01, 500, 54, 51.02, 52.1; D24/224;
D9/571, 573

FIG. 1 is a top view of a design for a water bottle for rodent cage constructed in accordance with the invention;
FIG. 2 is a side plan view of the water bottle for a rodent cage depicted in FIG. 1;
FIG. 3 is a front plan view of the water bottle for a rodent cage of the design depicted in FIG. 1, the opposite rear view being identical thereto in mirror image; and,
FIG. 4 is a perspective view of the water bottle for a rodent cage of the design depicted in FIG. 1.

(56) **References Cited**

U.S. PATENT DOCUMENTS

D212,622 S * 11/1968 Pochyla et al. D30/132

1 Claim, 2 Drawing Sheets

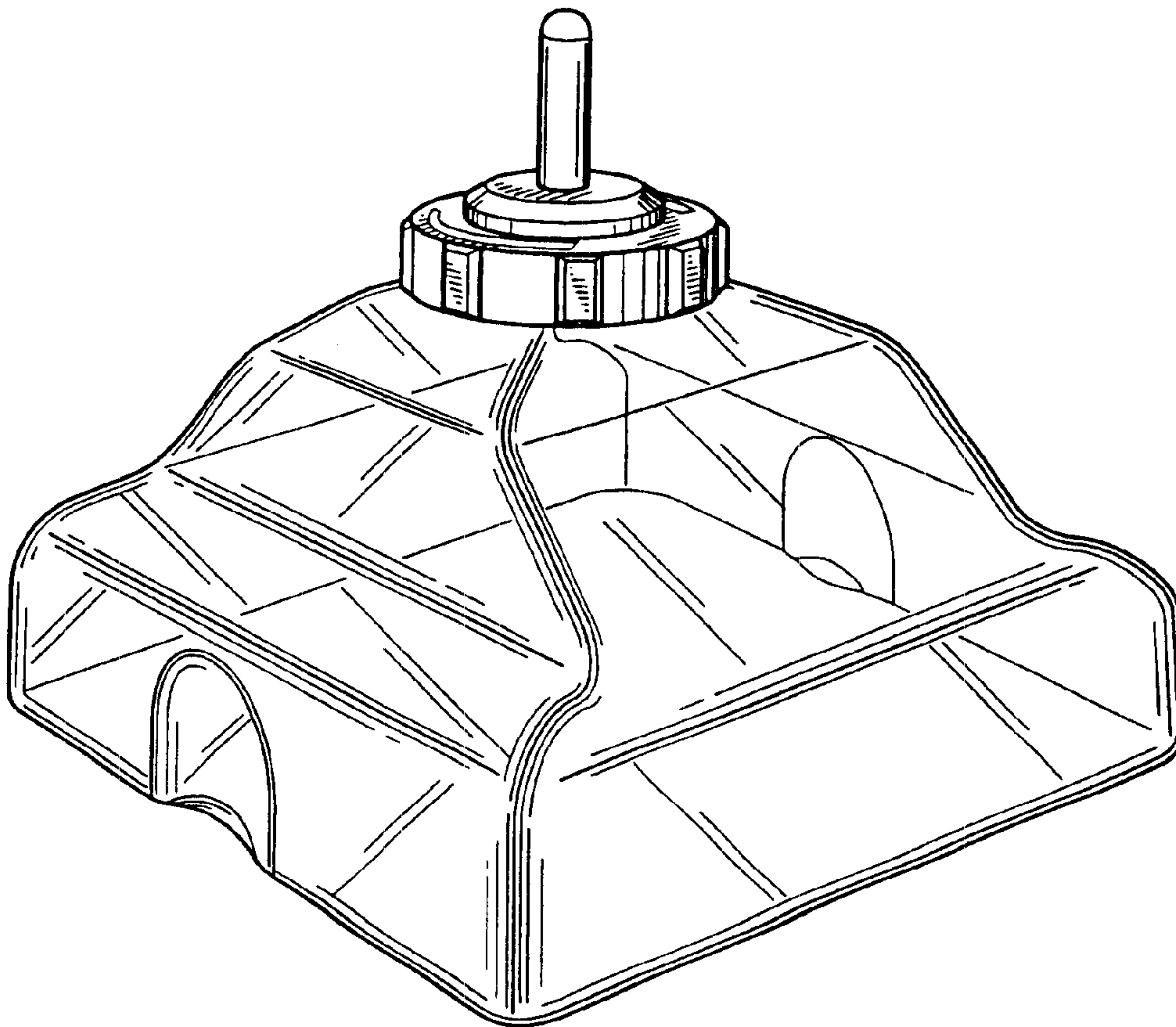


FIG. 4

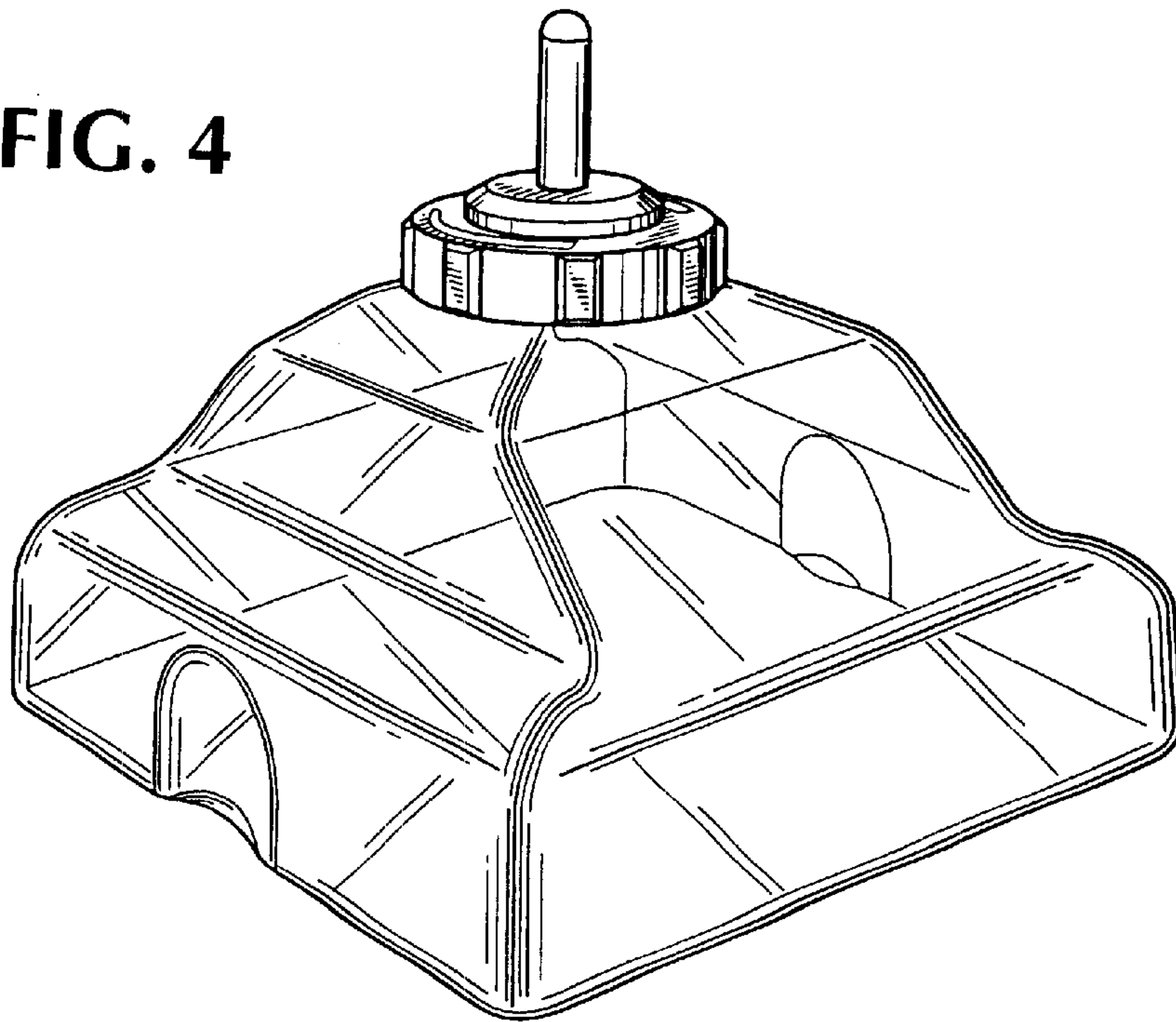
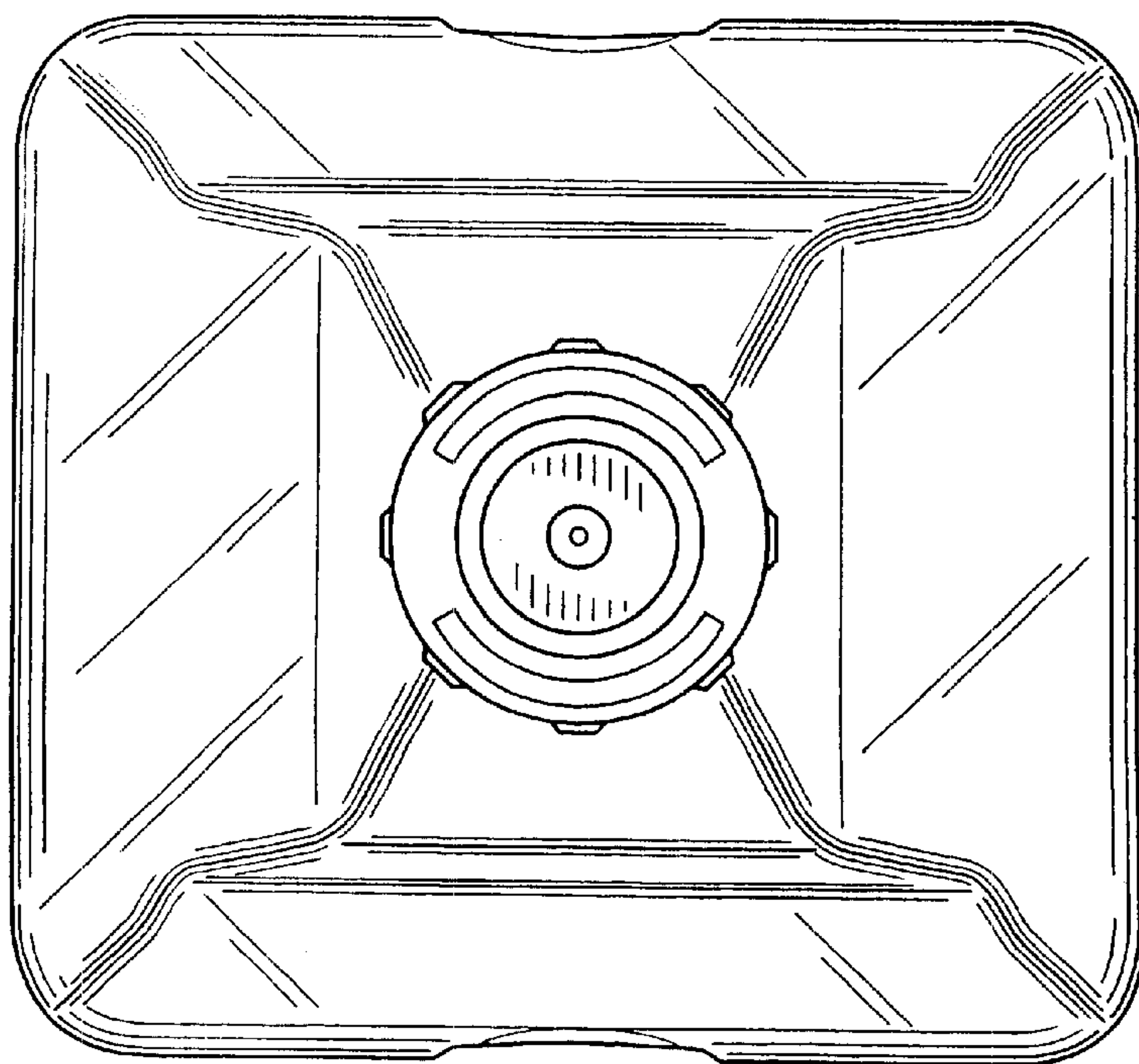


FIG. 1



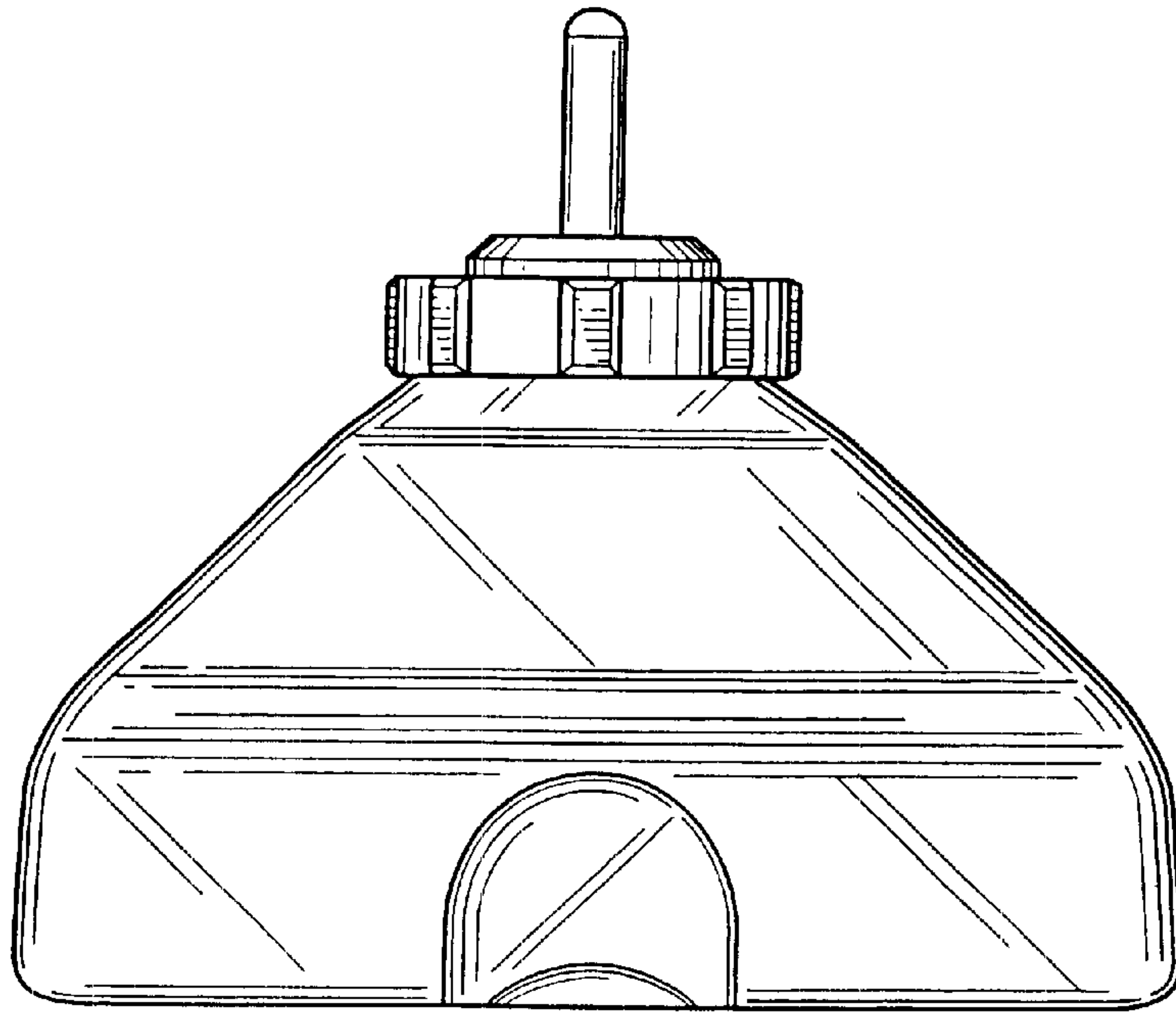


FIG. 2

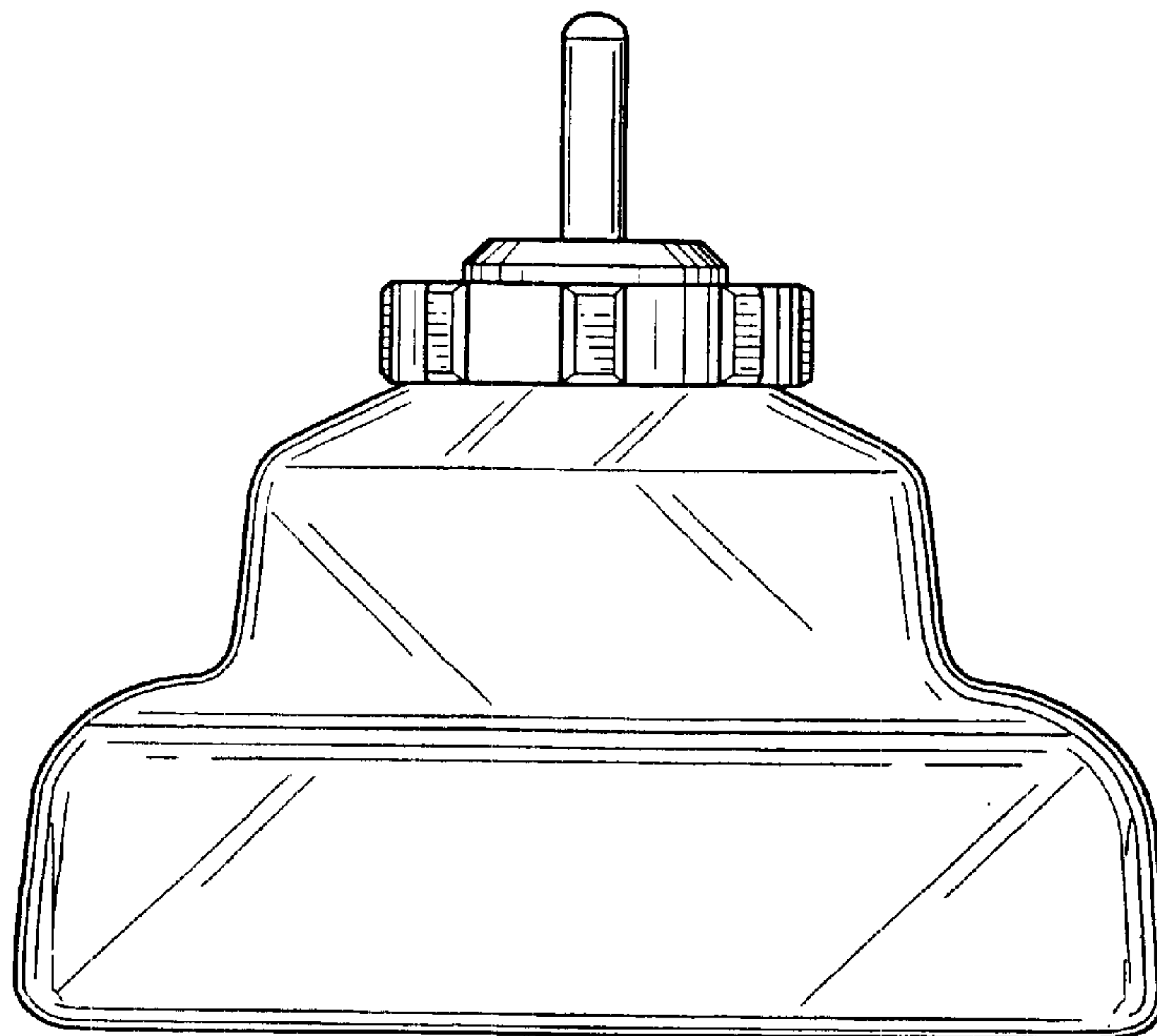


FIG. 3