



US00D485949S

(12) **United States Design Patent**
Rong

(10) **Patent No.:** **US D485,949 S**

(45) **Date of Patent:** **** Jan. 27, 2004**

(54) **VENT FOR SPORTS HELMET**

D452,940 S * 1/2002 Ho D29/102
D455,869 S * 4/2002 Ho D29/102

(75) Inventor: **Qing Rong**, Zhuhai (CN)

* cited by examiner

(73) Assignee: **Zhuhai (USA) Safety Helmets Mfg. Co., Ltd.**, Monterey Park, CA (US)

Primary Examiner—Ruth McInroy

(74) *Attorney, Agent, or Firm*—Seed IP Law Group PLLC

(**) Term: **14 Years**

(57) **CLAIM**

(21) Appl. No.: **29/154,638**

The ornamental design for a vent for sports helmet, as shown and described.

(22) Filed: **Jan. 23, 2002**

DESCRIPTION

(51) **LOC (7) Cl.** **29-02**

(52) **U.S. Cl.** **D29/122; D29/102**

(58) **Field of Search** D29/102-107,
D29/122; 2/9, 411, 414, 418-420, 422,
424, 425

FIG. 1 is a perspective view of a vent for sports helmet as seen from the front and upper right, showing our new design;

FIG. 2 is a front elevational view thereof;

FIG. 3 is a rear elevational view thereof;

FIG. 4 is a left side elevational view thereof, the right side is a mirror image; and,

FIG. 5 is a top plan view thereof.

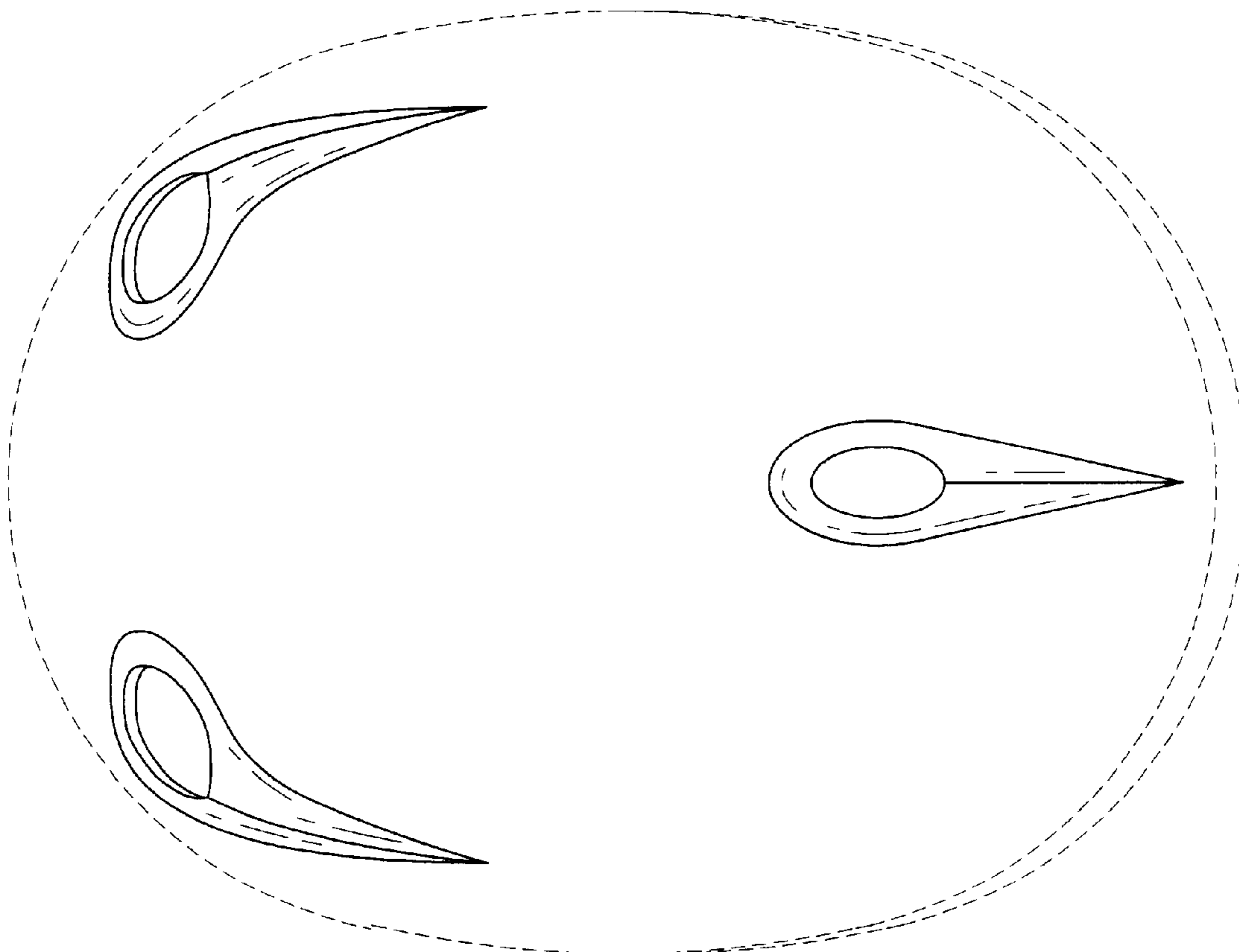
The broken lines in FIGS. 1-5 are for illustrative purposes only and form no part of the claimed design.

(56) **References Cited**

U.S. PATENT DOCUMENTS

- D366,731 S * 1/1996 Garneau D29/102
- D431,327 S * 9/2000 Haskins D29/102
- D436,695 S * 1/2001 Ho D29/102
- D447,604 S * 9/2001 Watters et al. D29/102

1 Claim, 3 Drawing Sheets



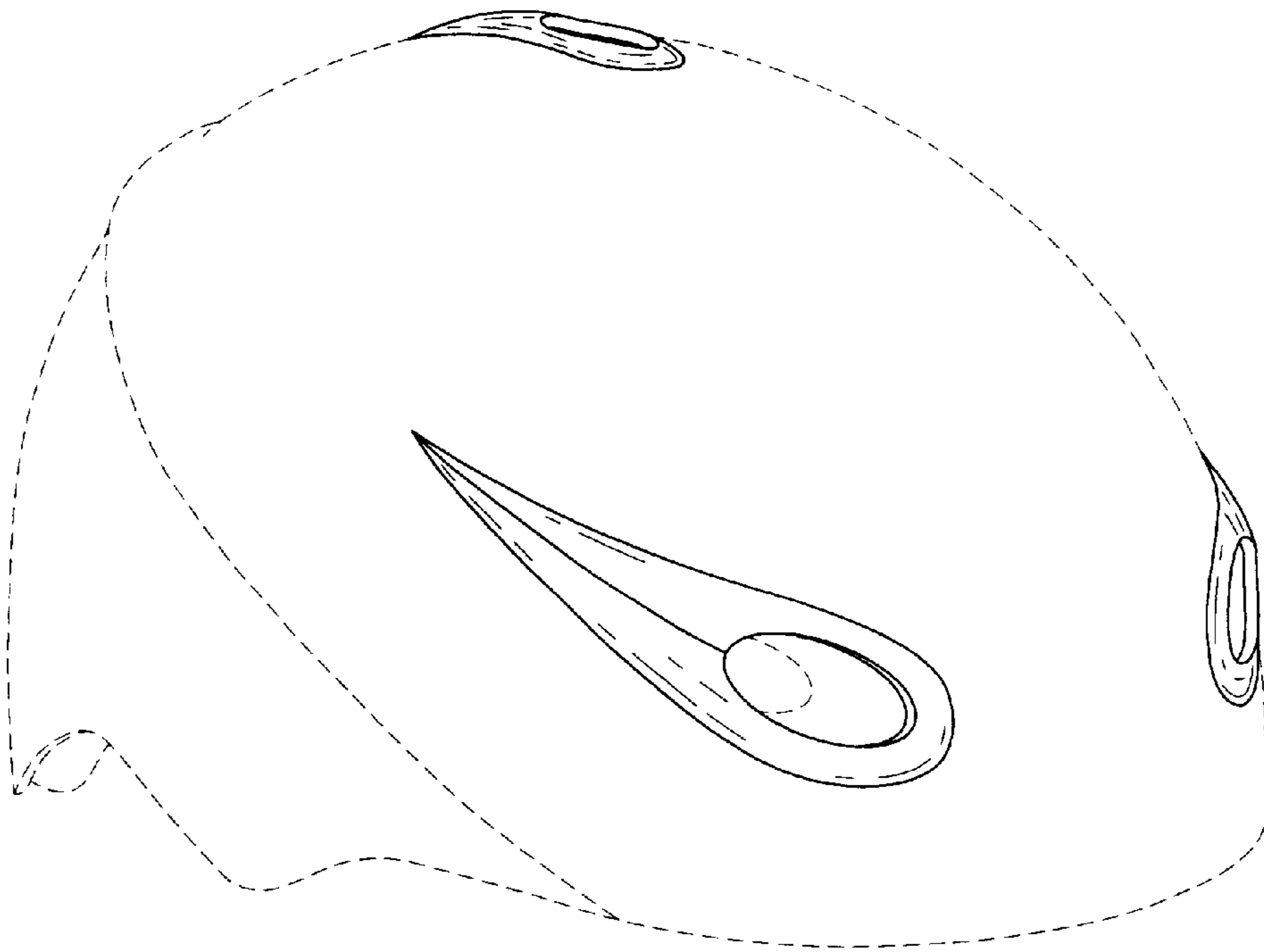


Fig. 1

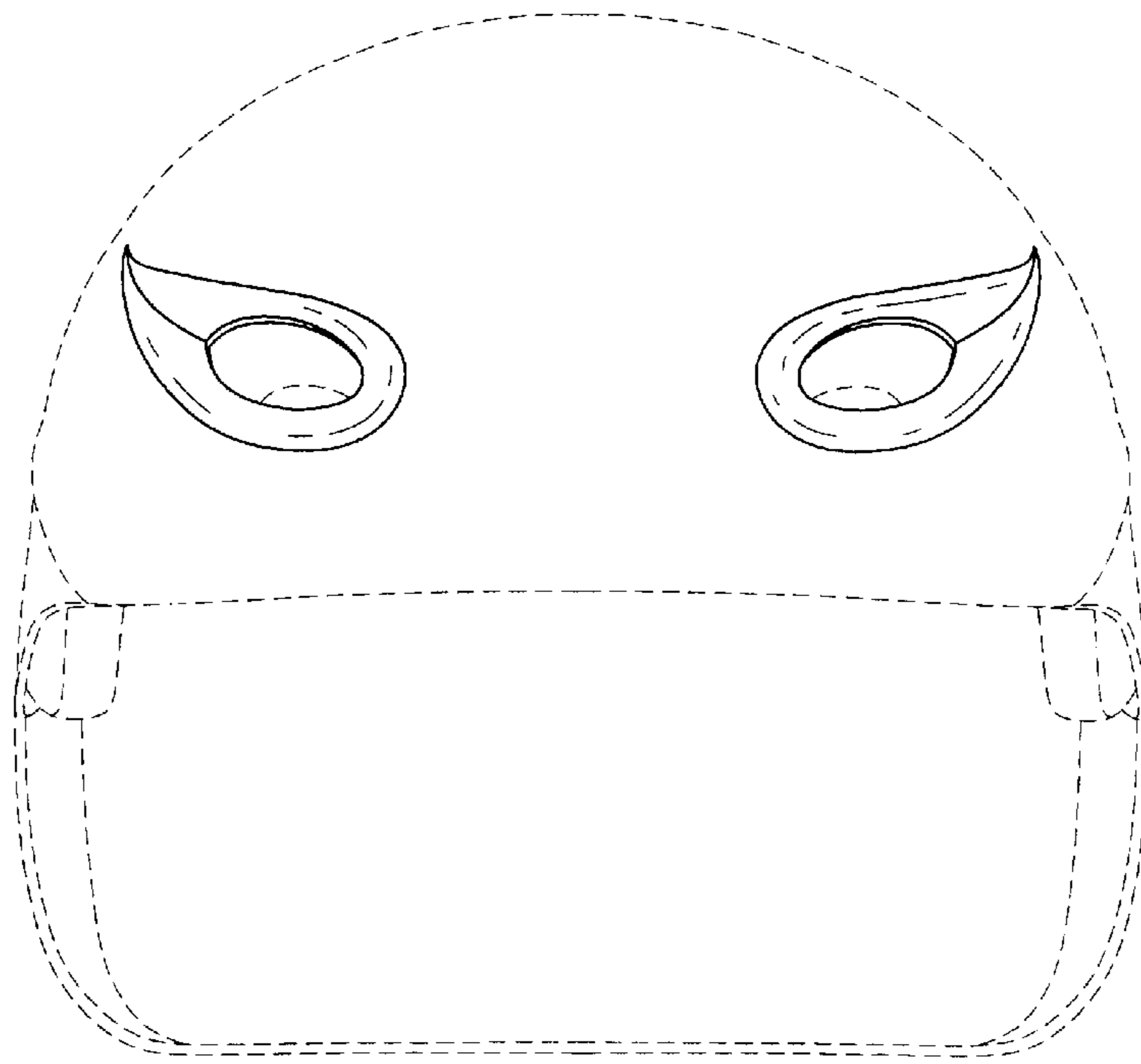


Fig. 2

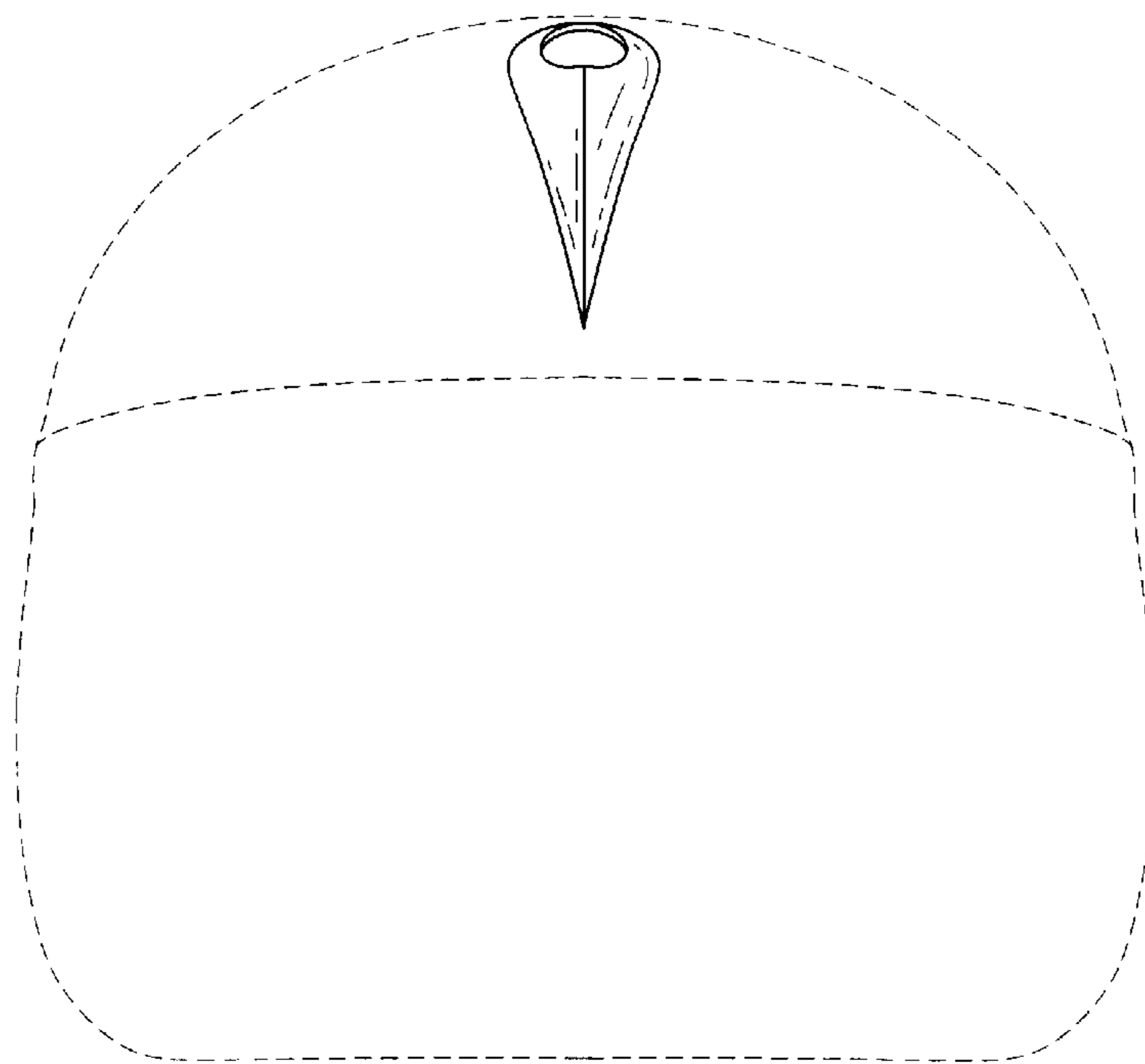


Fig. 3

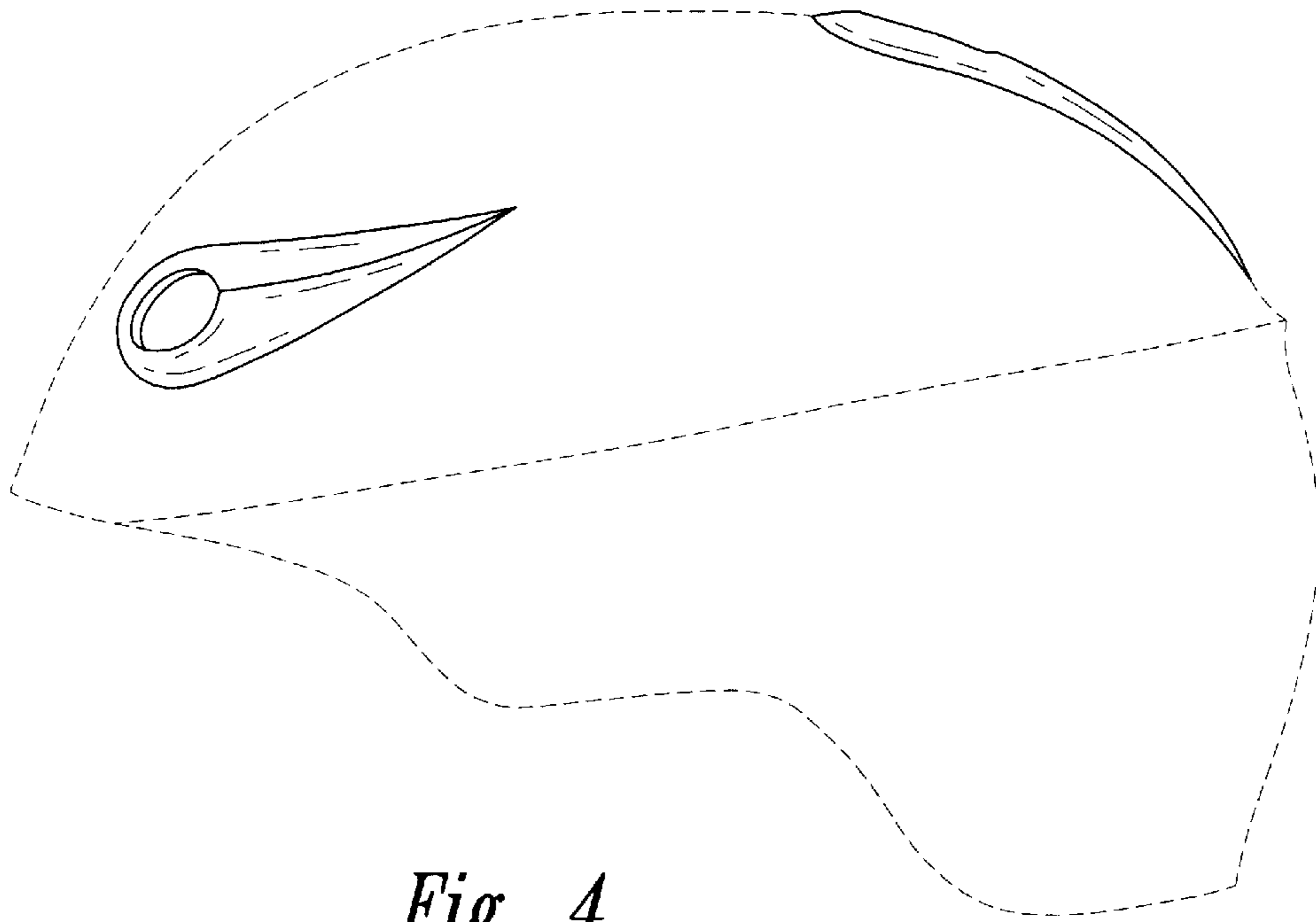


Fig. 4

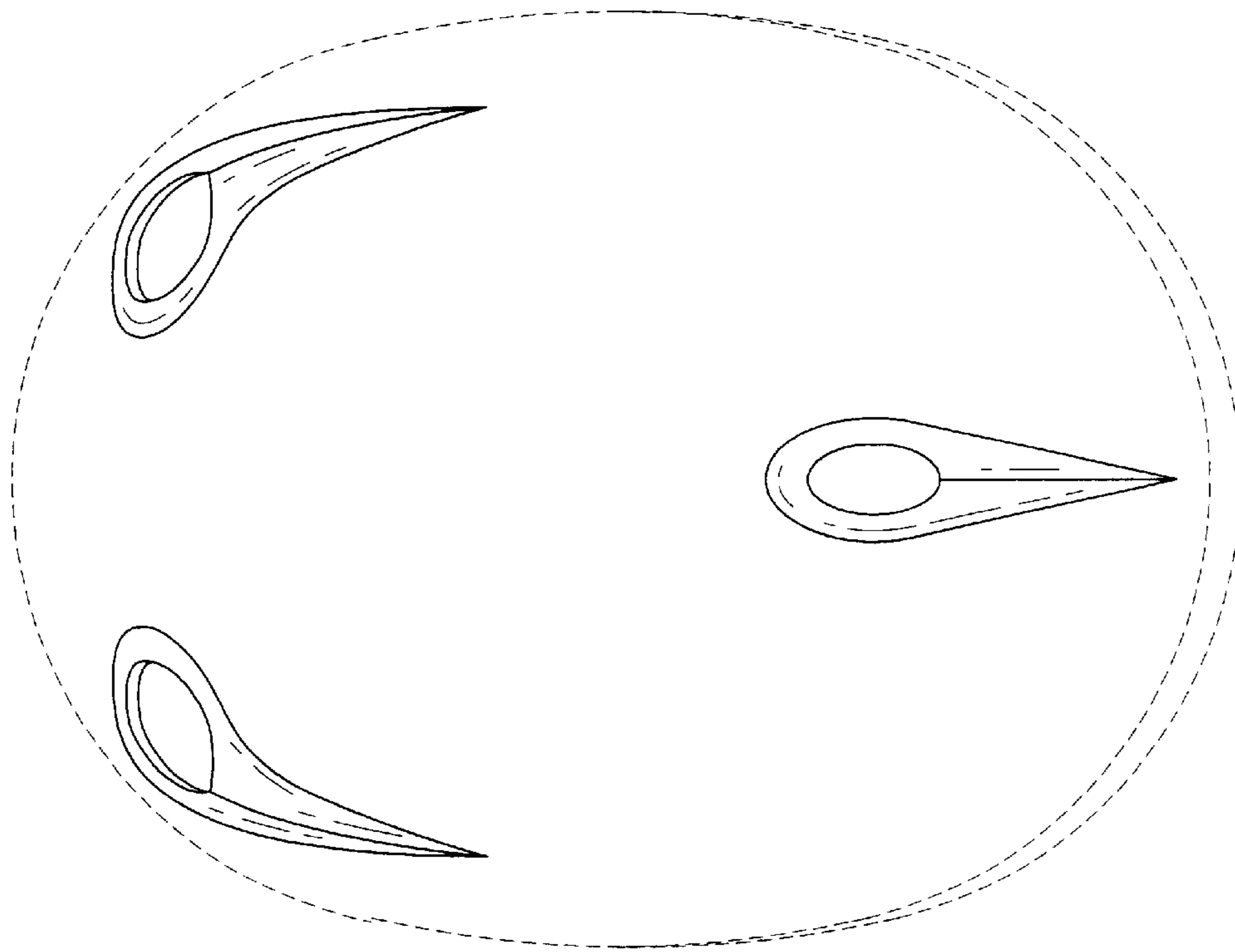


Fig. 5