



US00D485945S

(12) **United States Design Patent**
Blasi et al.

(10) **Patent No.:** **US D485,945 S**
(45) **Date of Patent:** **** Jan. 27, 2004**

(54) **KEY CHAIN DENTAL FLOSS DISPENSER**

(74) *Attorney, Agent, or Firm*—McCormick, Paulding & Huber LLP

(76) Inventors: **Deborah L. Blasi**, 20 Grove St., Terryville, CT (US) 06786; **Catherine L. Pelletier**, 20 Grove St., Terryville, CT (US) 06786

(57) **CLAIM**

The ornamental design for a “key chain dental floss dispenser”, as shown and described.

(**) **Term:** **14 Years**

DESCRIPTION

(21) **Appl. No.:** **29/168,191**

FIG. 1 is a bottom plan view of the open key chain dental floss dispenser,

(22) **Filed:** **Sep. 26, 2002**

FIG. 2 is a right side elevational view of the open key chain dental floss dispenser,

(51) **LOC (7) Cl.** **28-03**

FIG. 3 is a top plan view of the open key chain dental floss dispenser,

(52) **U.S. Cl.** **D28/66; D3/208**

FIG. 4 is a rear end elevational view of the open key chain dental floss dispenser,

(58) **Field of Search** D28/66; D3/207, D3/208, 215; 132/323–327; 242/137, 137.1, 138; D9/419, 337, 420; D11/2, 79; 206/63.5

FIG. 5 is a front end elevational view of the open key chain dental floss dispenser,

(56) **References Cited**

U.S. PATENT DOCUMENTS

| | | | | | | |
|-----------|---|---|---------|-----------------|-------|---------|
| 2,192,883 | A | * | 3/1940 | Forstner | | 40/618 |
| D198,021 | S | * | 4/1964 | Bush | | D3/208 |
| D293,491 | S | * | 12/1987 | Fronske | | D28/66 |
| D329,137 | S | * | 9/1992 | Hinson | | D3/208 |
| D364,708 | S | * | 11/1995 | Tarrson et al. | | D28/66 |
| D369,902 | S | * | 5/1996 | Petruzzi | | D3/208 |
| 5,762,079 | A | * | 6/1998 | Protonantis | | 132/323 |
| D441,504 | S | * | 5/2001 | Stvartak et al. | | D28/66 |
| D448,157 | S | * | 9/2001 | Wright | | D3/208 |

FIG. 6 is a left side elevational view of the open key chain dental floss dispenser,

FIG. 7 is a perspective view of the closed key chain dental floss dispenser,

FIG. 8 is a top plan of the closed key chain dental floss dispenser; and,

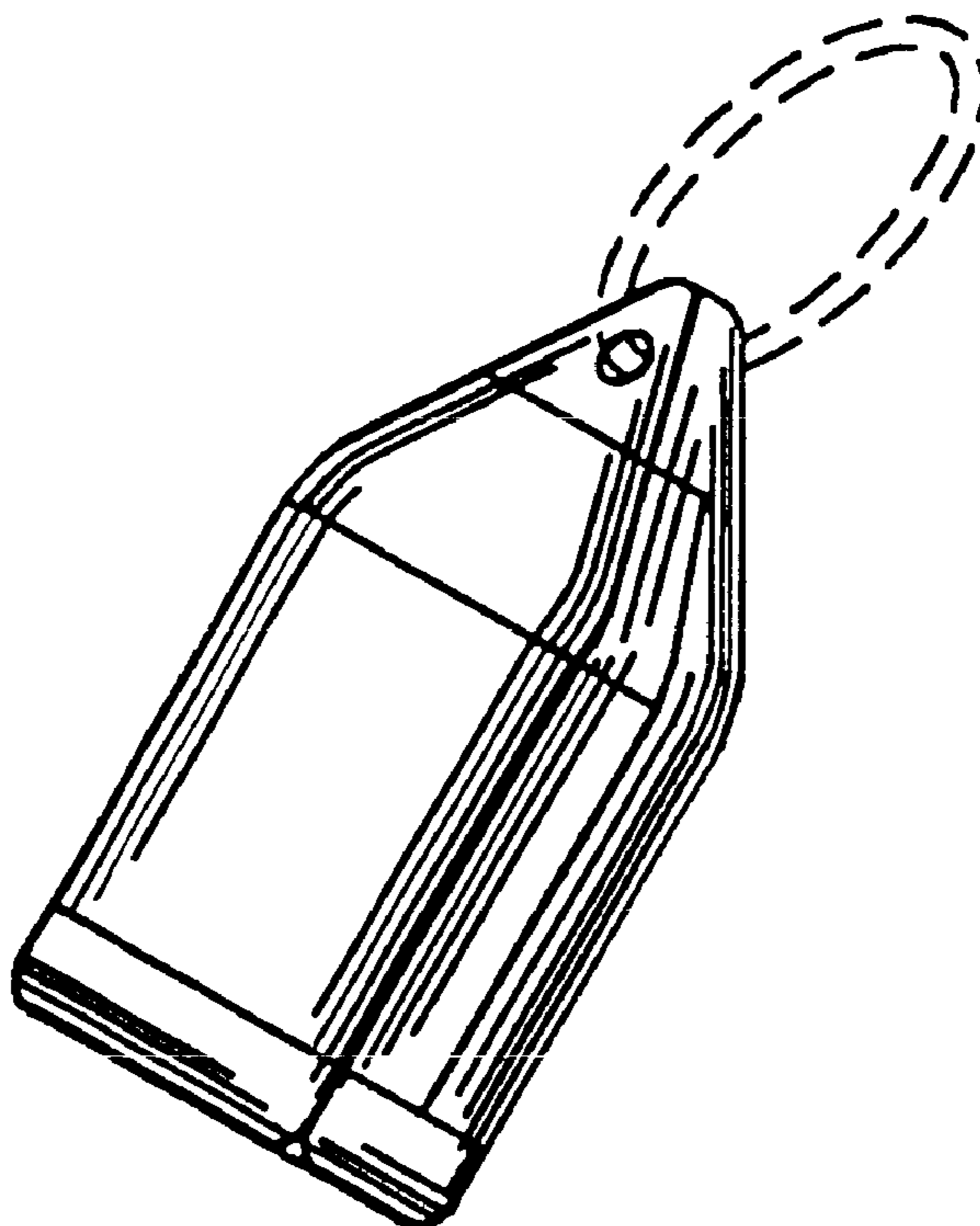
FIG. 9 is a side elevational view of the closed key chain dental floss dispenser.

The broken lines showing a key ring in FIGS. 7, 8 and 9 are for illustrative purposes only and do not form part of the claimed design.

* cited by examiner

Primary Examiner—Lucy Lieberman

1 Claim, 1 Drawing Sheet



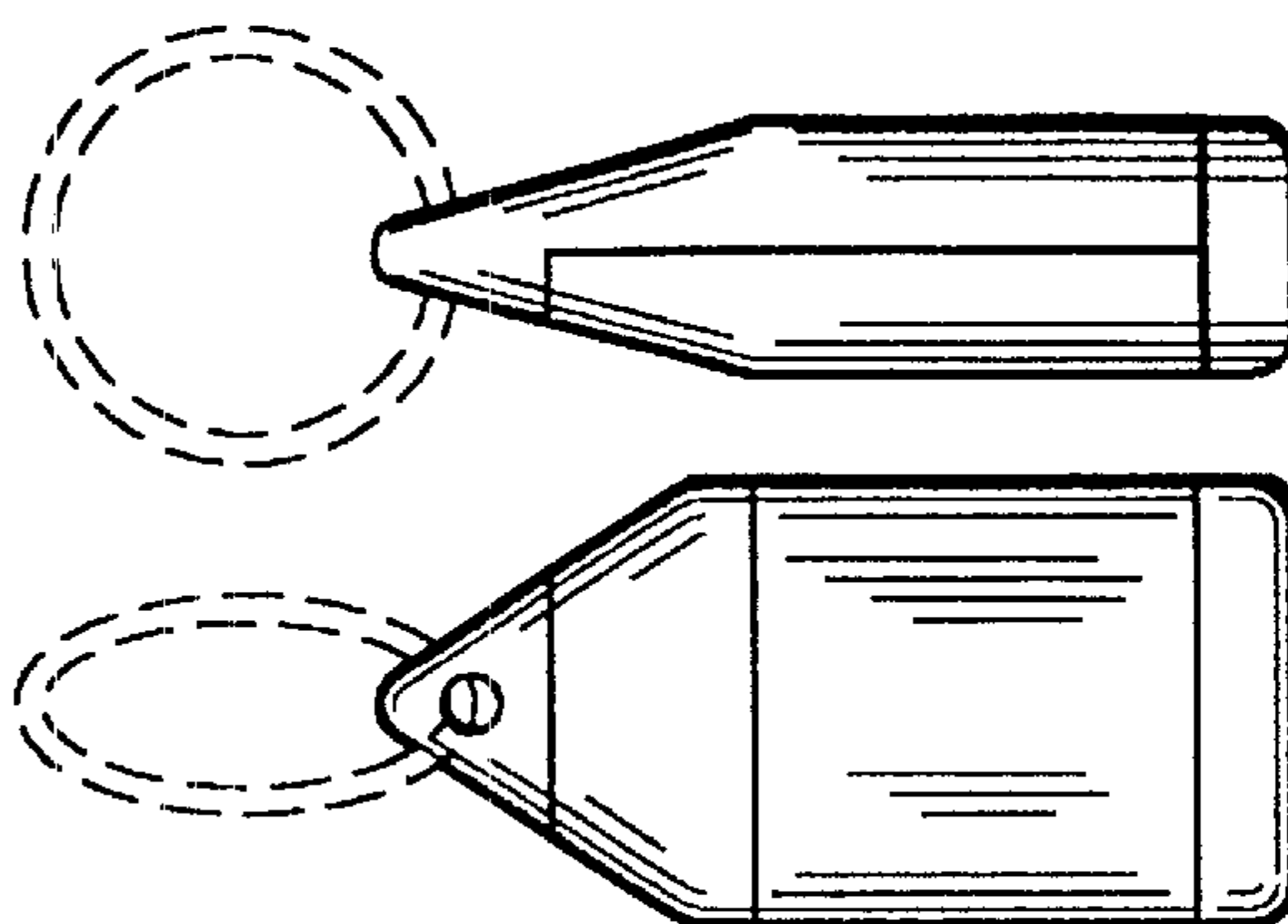
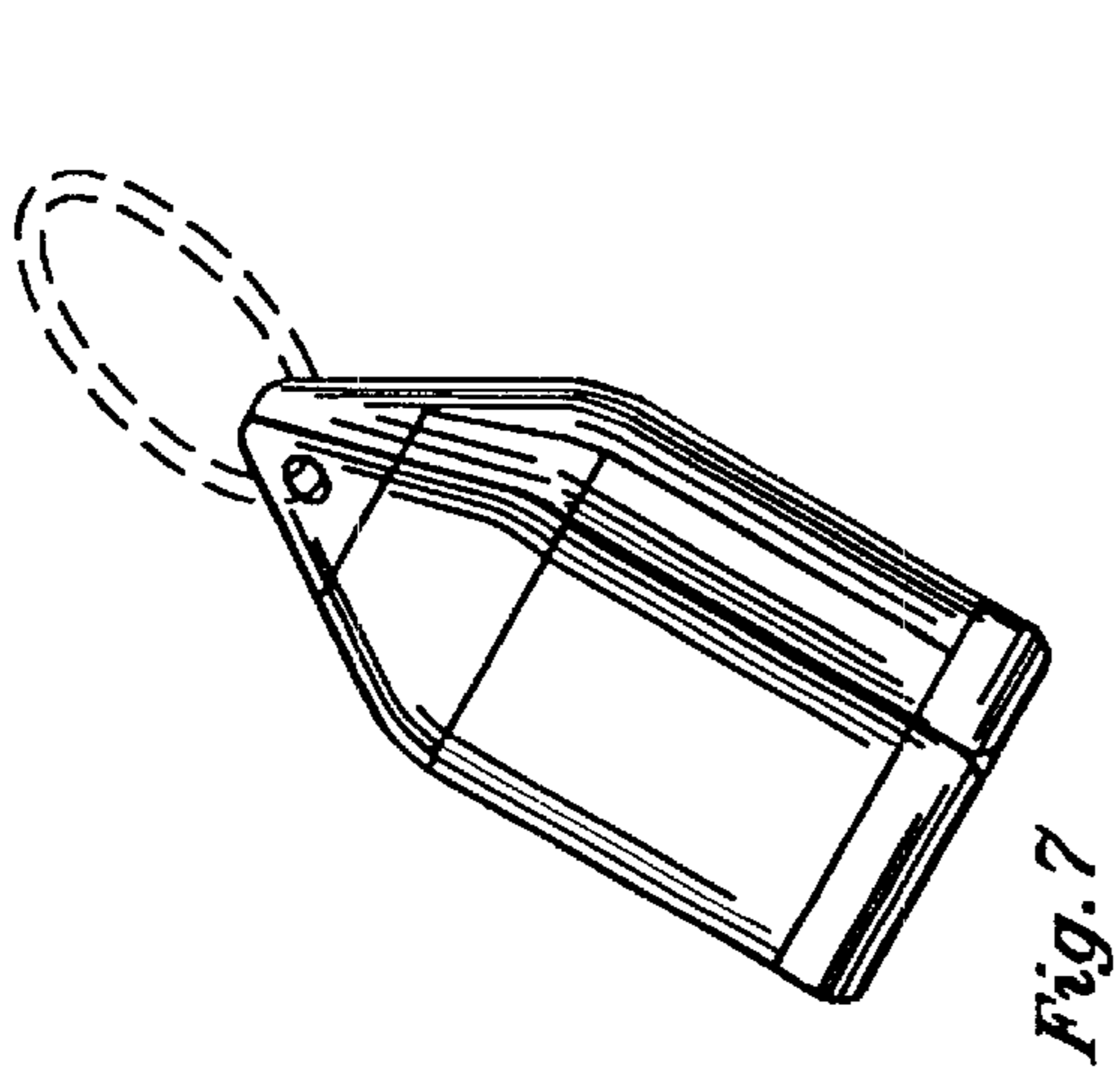


Fig. 9

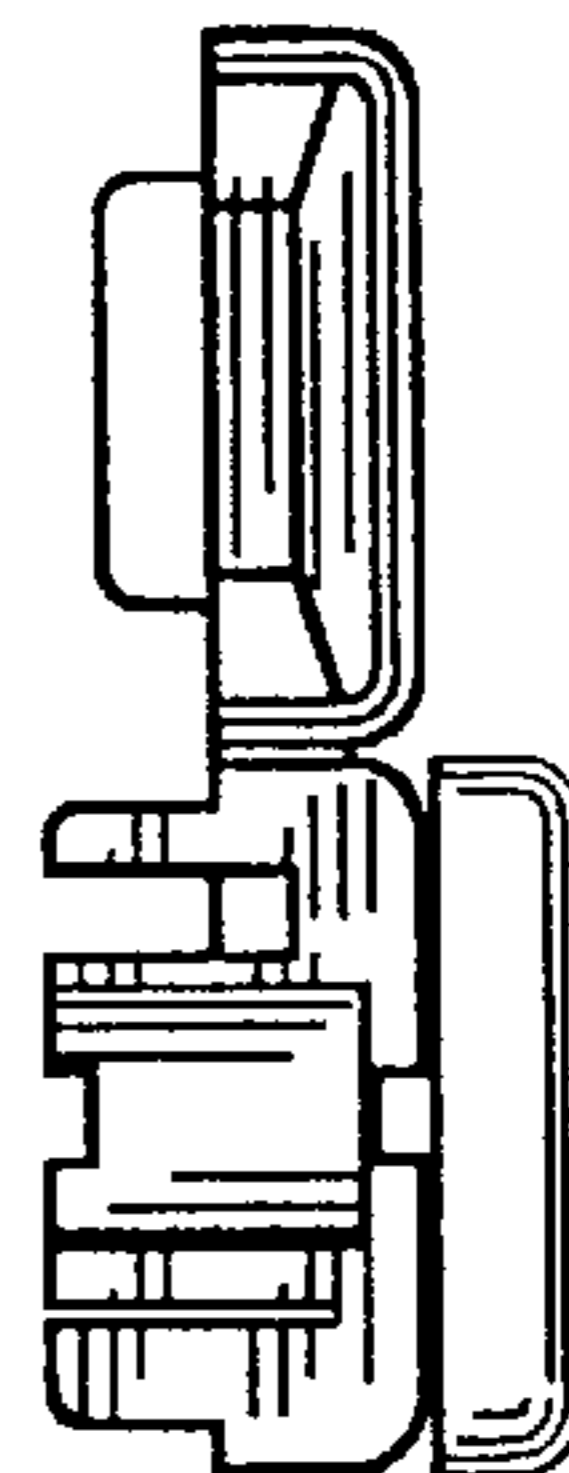
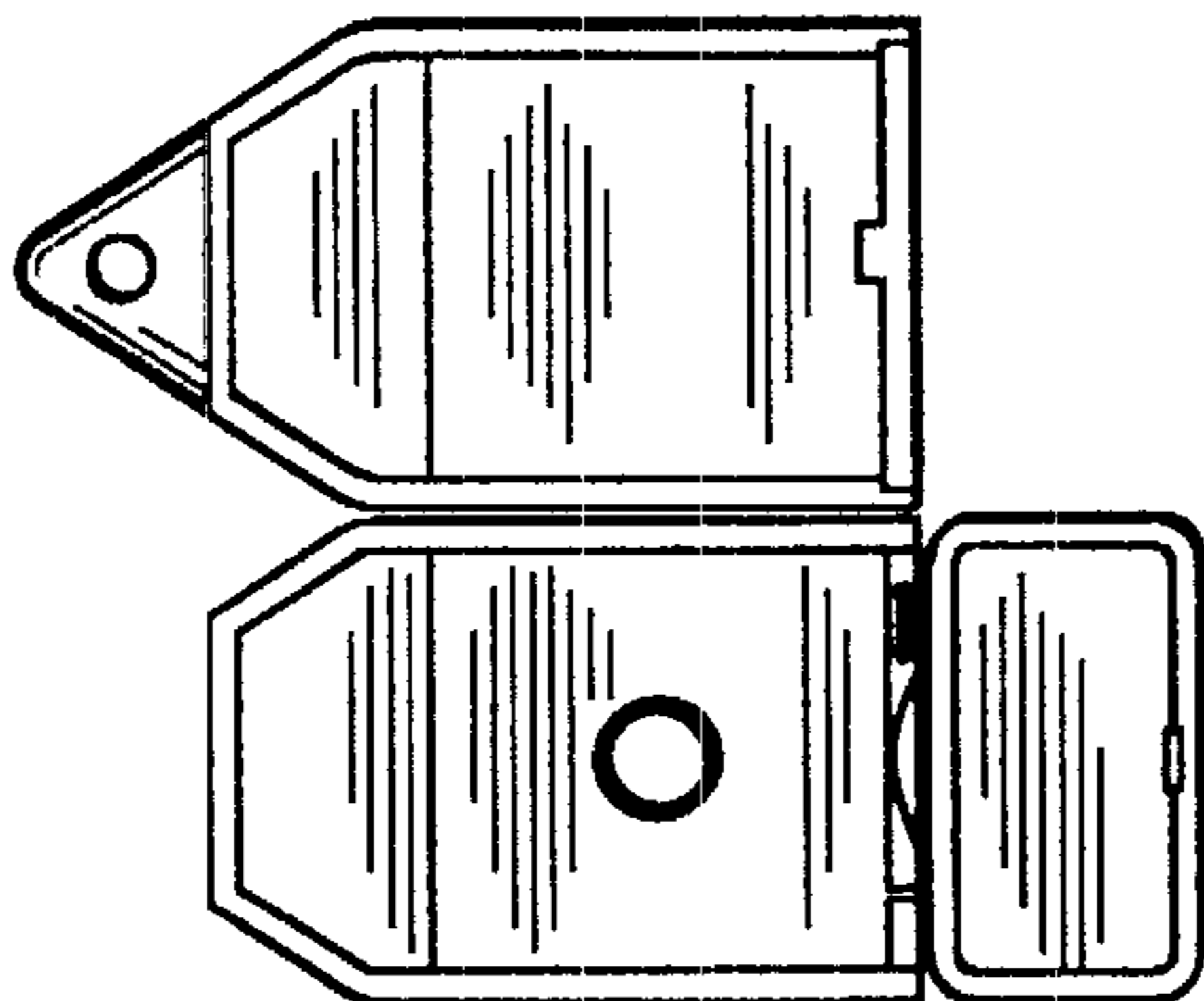
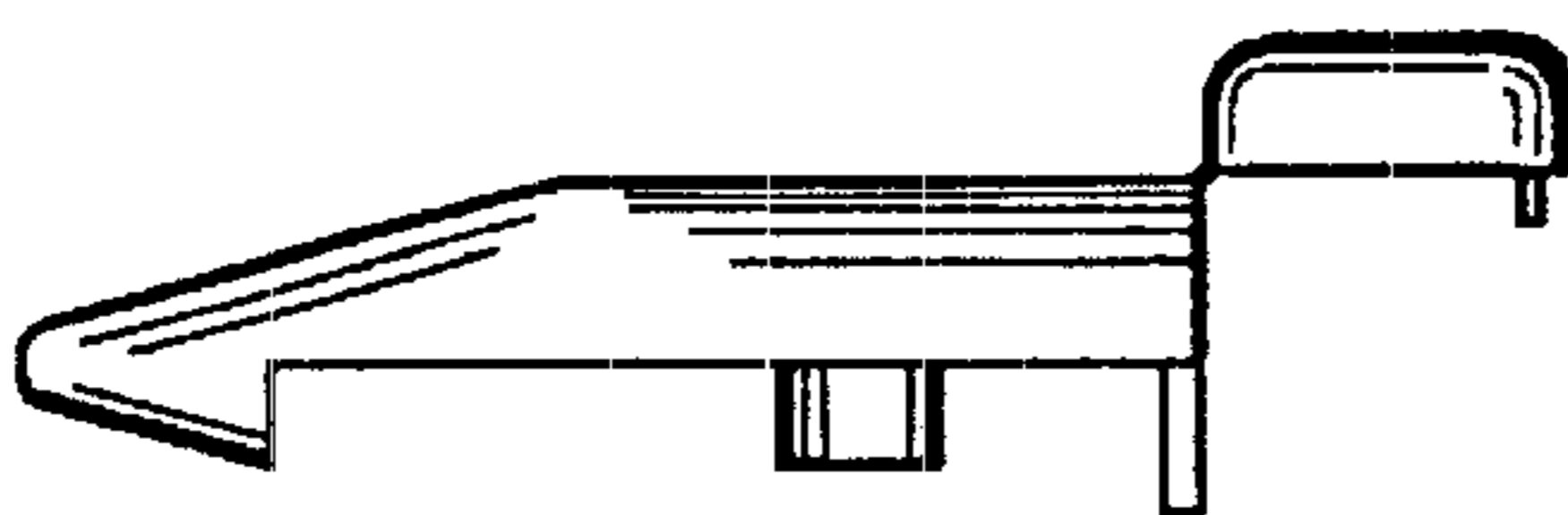
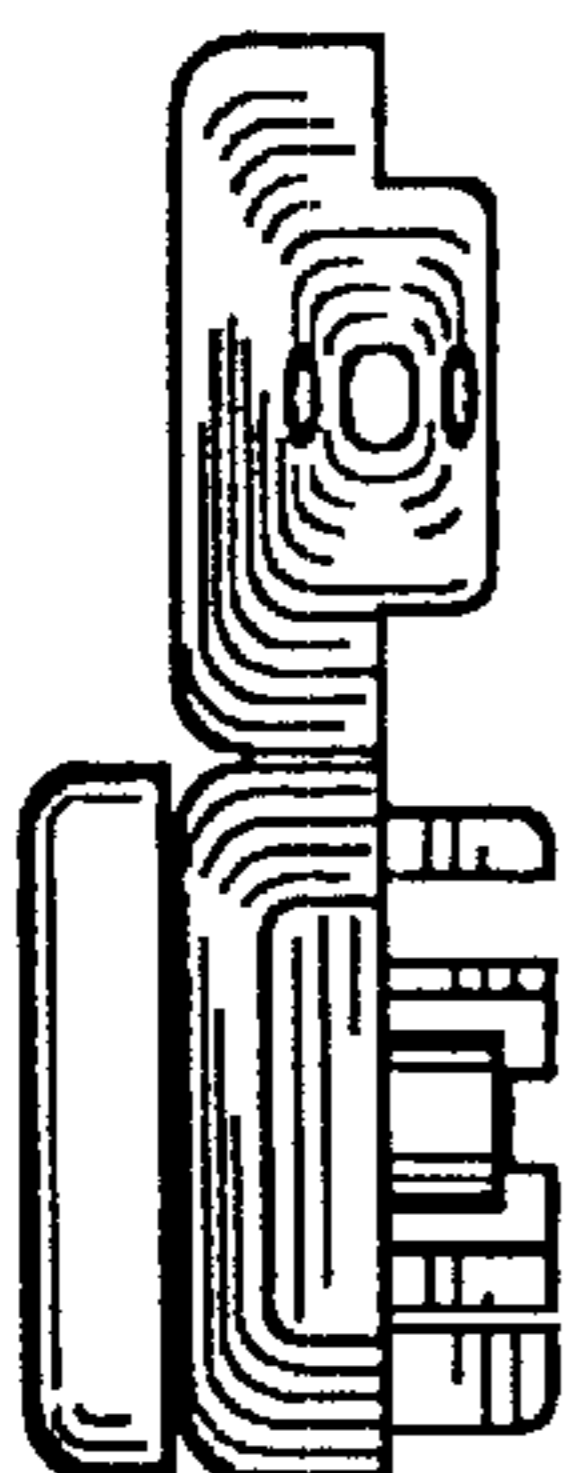


Fig. 5

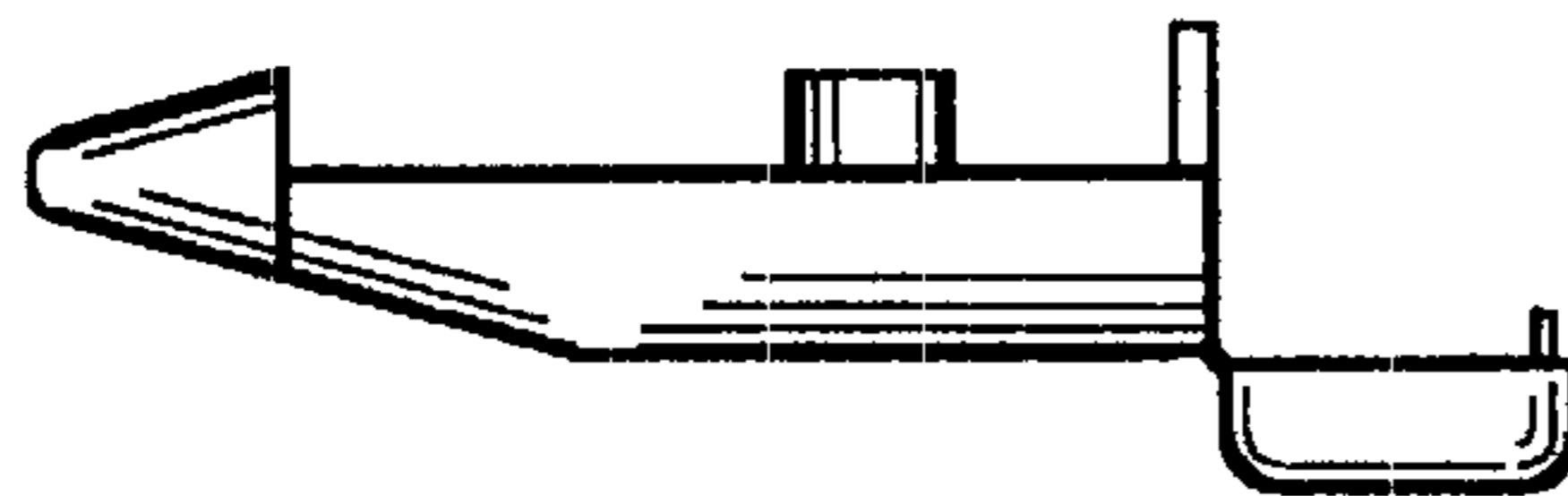


Fig. 2

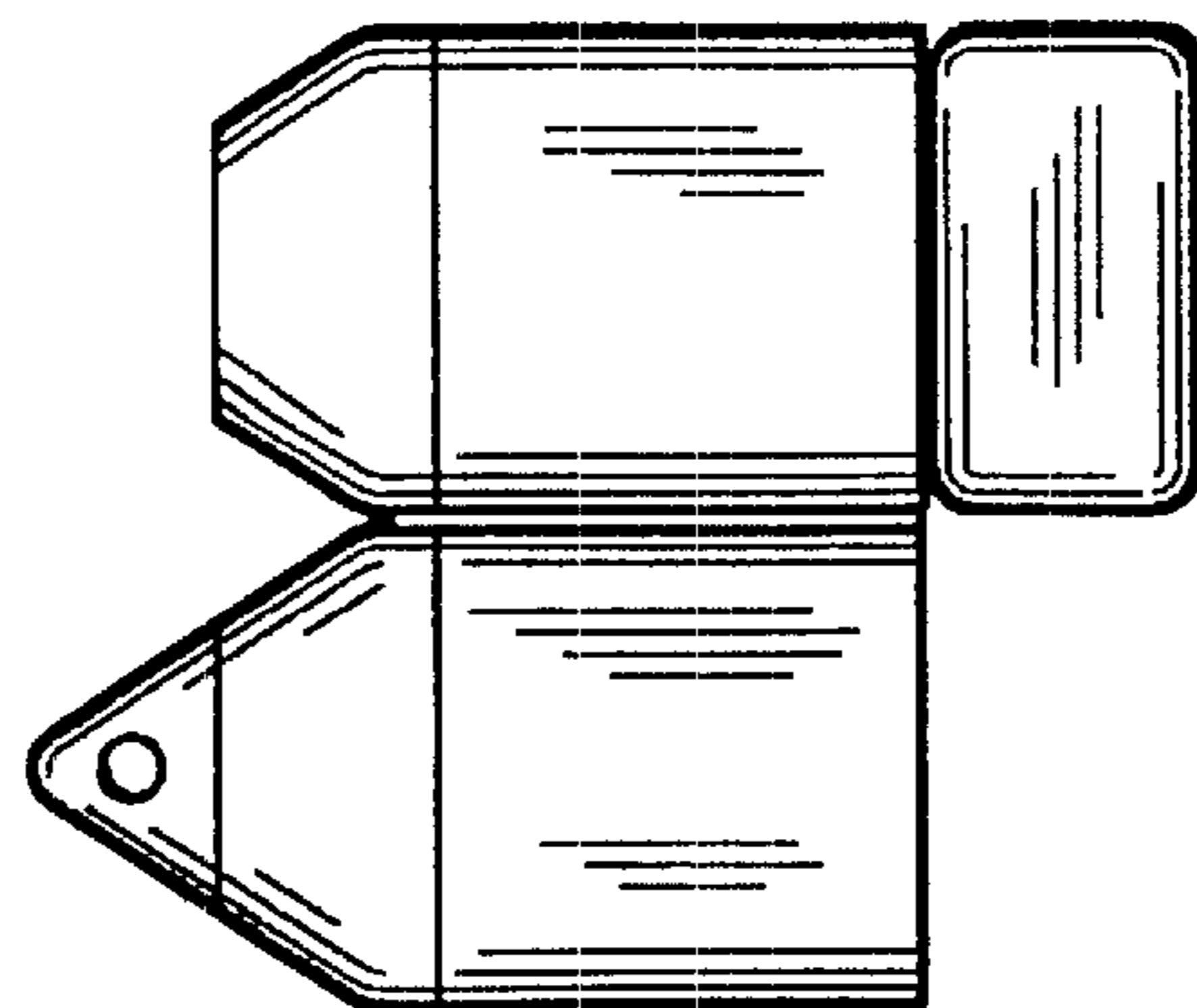


Fig. 1