



US00D485944S

(12) **United States Design Patent Grant**

(10) **Patent No.:** **US D485,944 S**

(45) **Date of Patent:** **** Jan. 27, 2004**

(54) **MOUTH SHIELD**

(76) Inventor: **Michael Lee Grant**, 5907 Holly Hill Ct., West Carrollton, OH (US) 45449

(**) Term: **14 Years**

(21) Appl. No.: **29/181,731**

(22) Filed: **May 16, 2003**

(51) **LOC (7) Cl.** **28-03**

(52) **U.S. Cl.** **D28/9; D20/32**

(58) **Field of Search** 132/320, 212, 132/319, 216; D28/9; D29/108; 2/9; D20/32

(56) **References Cited**

U.S. PATENT DOCUMENTS

221,719 A	*	11/1879	Clinton	132/216
2,199,720 A	*	5/1940	Catelin	132/320
3,948,817 A		4/1976	Grothoff	
D268,532 S	*	4/1983	Kravitz	D28/9
4,640,273 A		2/1987	Greene et al.	

5,447,168 A	9/1995	Bancroft
D383,384 S	9/1997	Gaultier
6,003,515 A	12/1999	Maness
D440,357 S	* 4/2001	Stuermer et al. D28/9

* cited by examiner

Primary Examiner—Jennifer Rivard

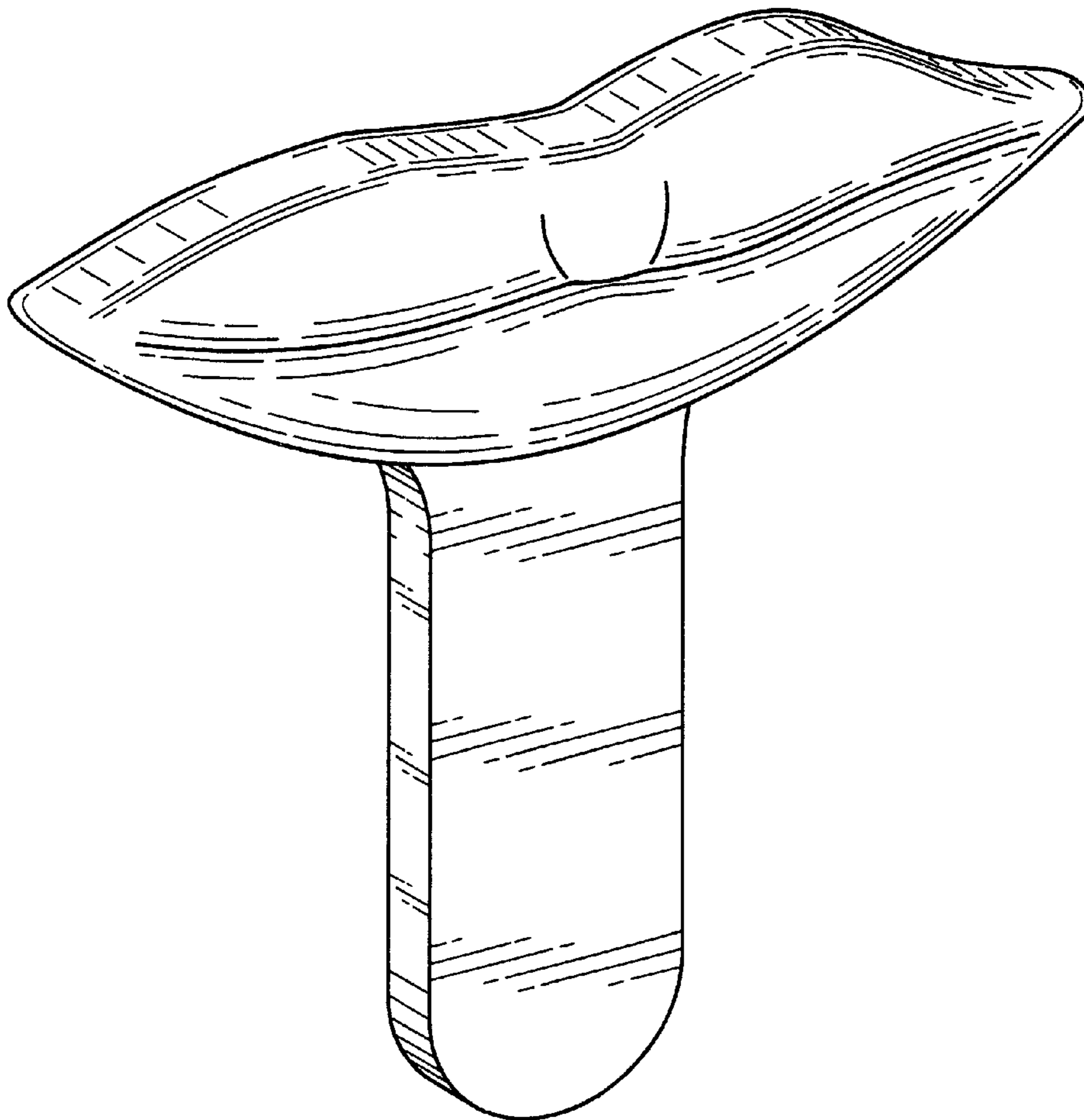
(57) **CLAIM**

The ornamental design for the mouth shield, as shown and described.

DESCRIPTION

FIG. 1 is a perspective view of the mouth shield, in accordance with the invention;
 FIG. 2 is a side elevational view thereof, the opposite side being a mirror image thereof;
 FIG. 3 is a front elevational view thereof;
 FIG. 4 is a rear elevational view thereof;
 FIG. 5 is a top plan view thereof; and,
 FIG. 6 is a bottom plan view thereof.

1 Claim, 3 Drawing Sheets



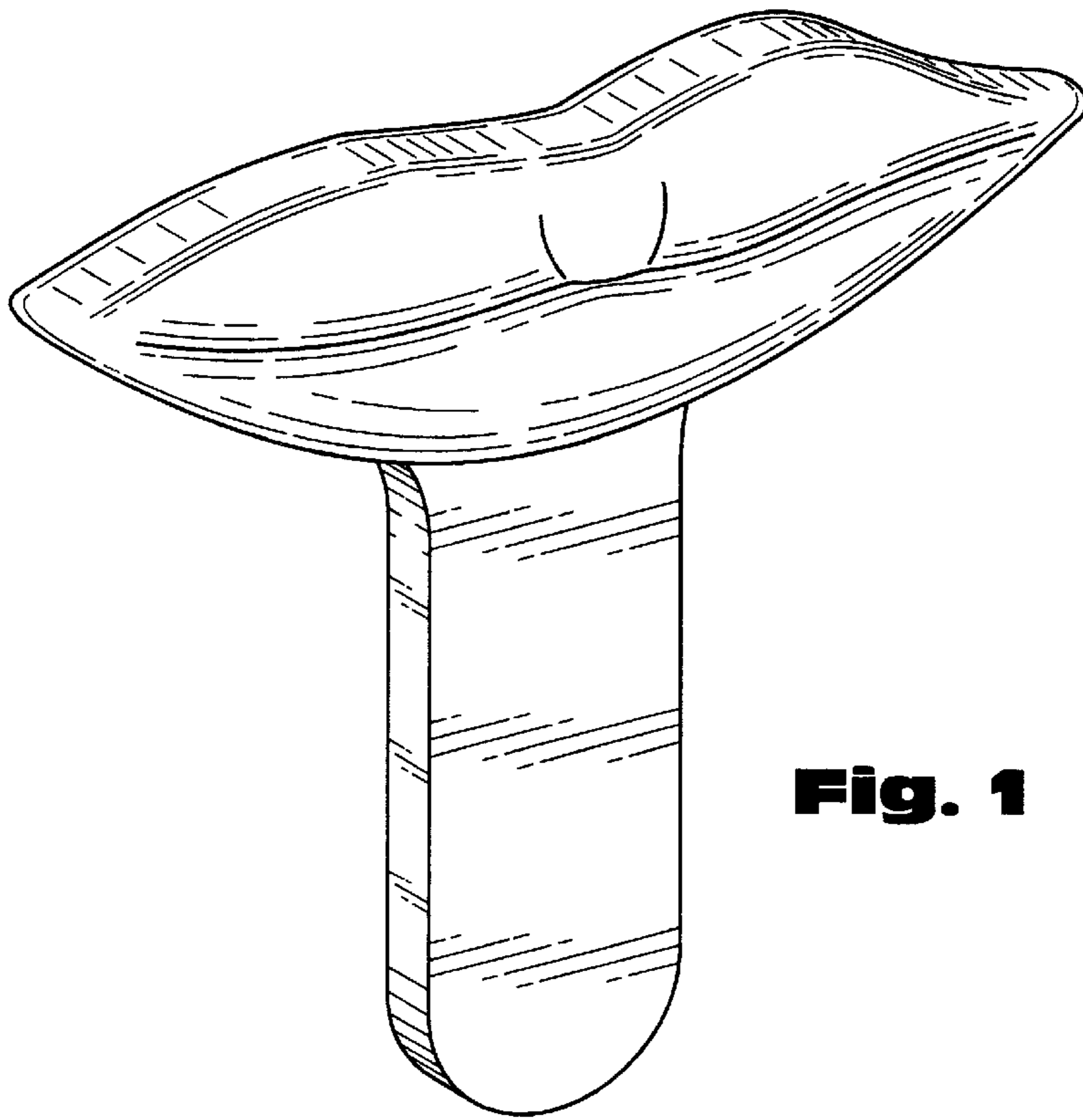


Fig. 1

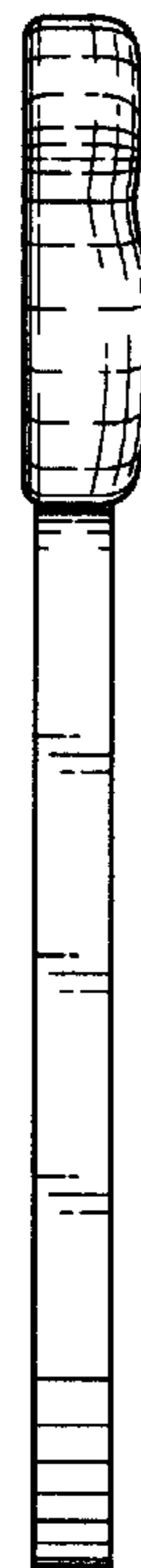


Fig. 2

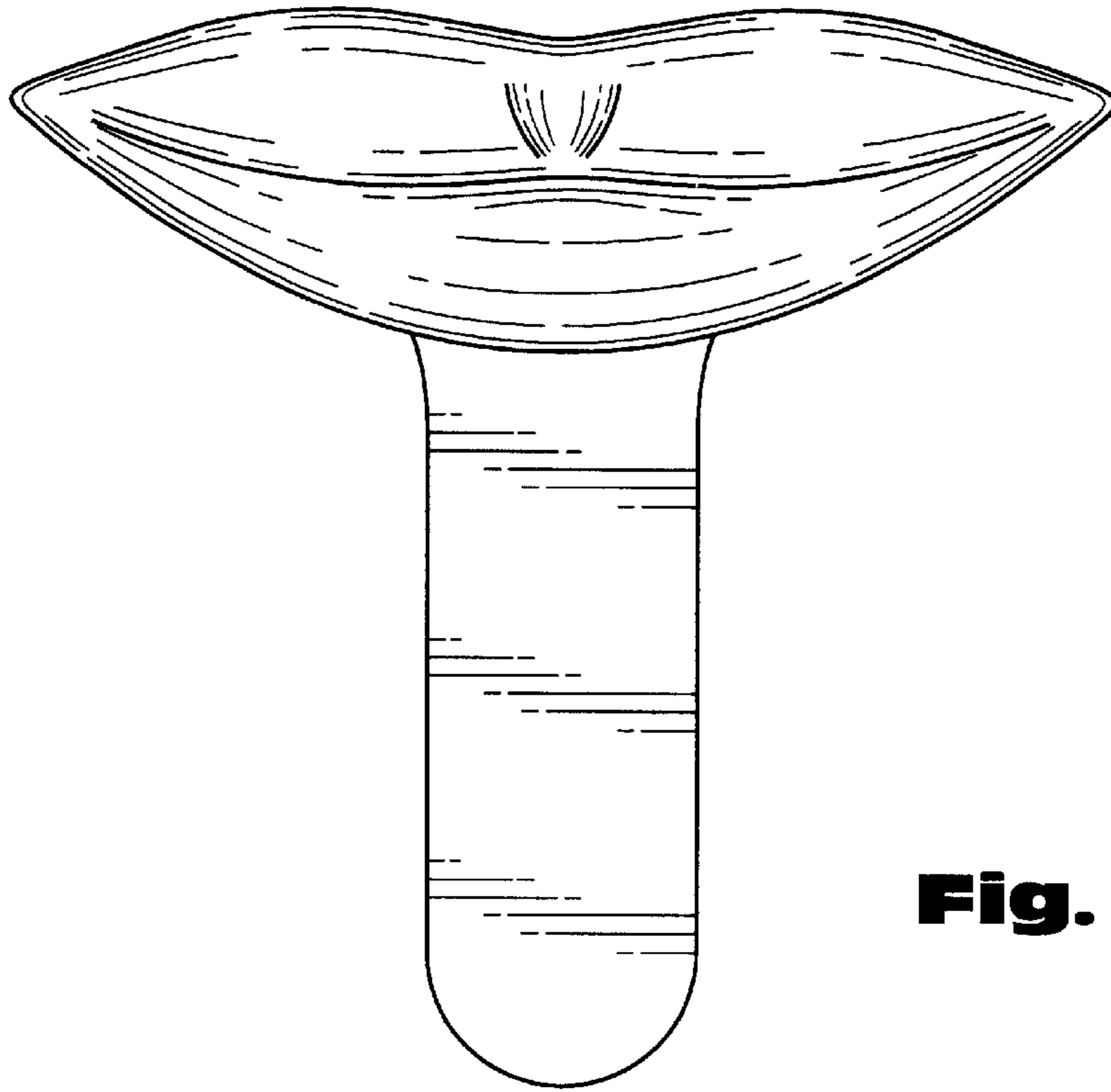


Fig. 3

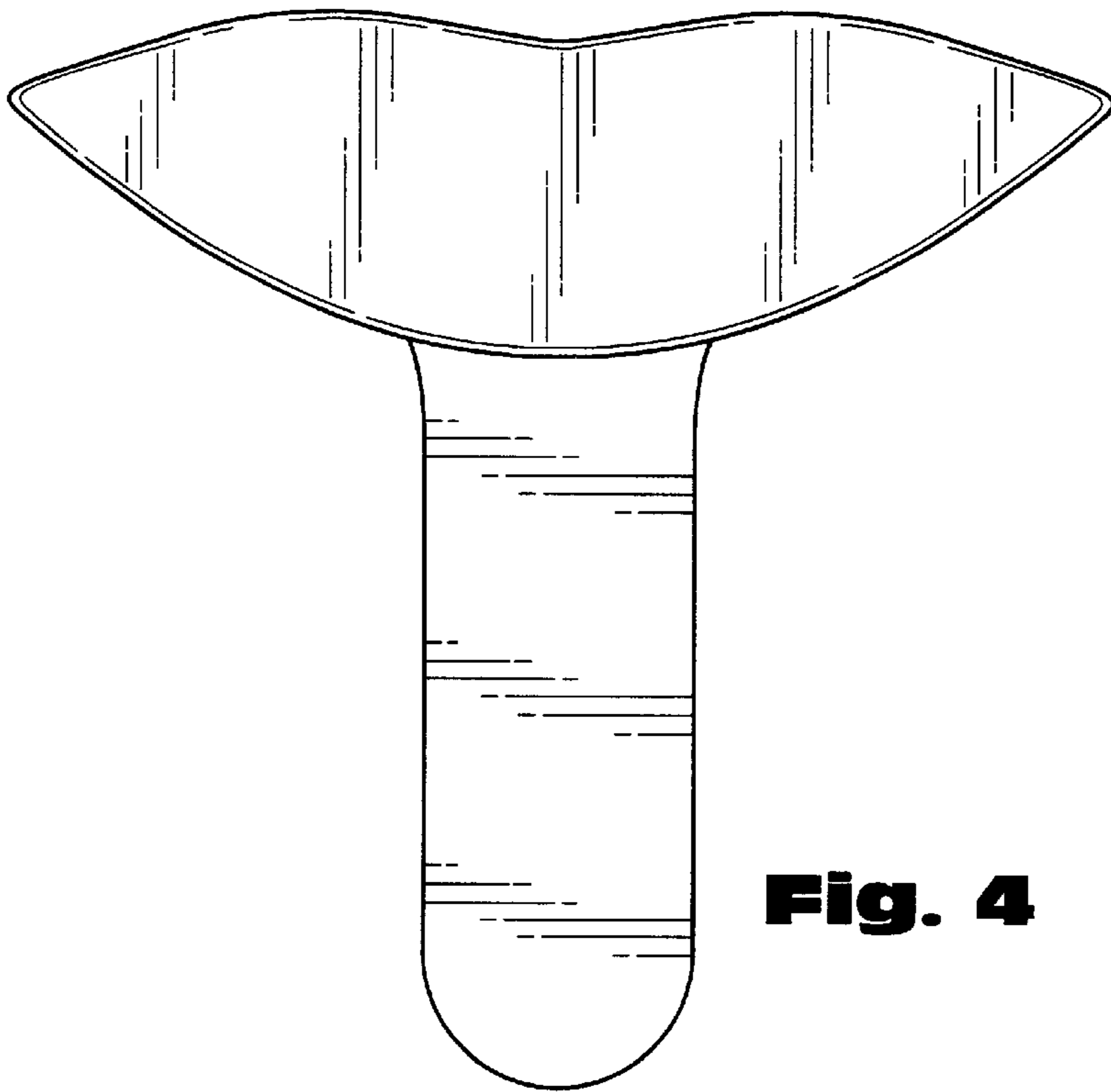


Fig. 4



Fig. 5

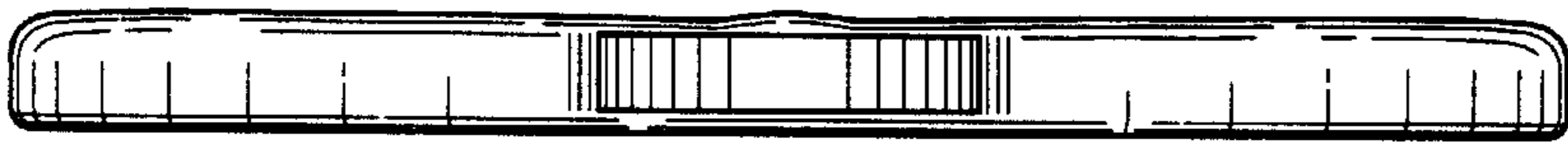


Fig. 6