



US00D485942S

(12) **United States Design Patent**
McLeish

(10) **Patent No.:** **US D485,942 S**

(45) **Date of Patent:** **** Jan. 27, 2004**

(54) **CAPSULE**

(75) **Inventor:** **Andrew Robert McLeish**, Sheffield (GB)

(73) **Assignee:** **Reckitt Benckiser N.V.**, Hoofddorp (NL)

(**) **Term:** **14 Years**

(21) **Appl. No.:** **29/151,165**

(22) **Filed:** **Nov. 28, 2001**

(30) **Foreign Application Priority Data**

May 28, 2001 (BX) 78387-10

(51) **LOC (7) Cl.** **28-03**

(52) **U.S. Cl.** **D28/8.1; D9/426**

(58) **Field of Search** D24/101-104;
D9/416, 418, 424, 425, 426; D28/8.1, 8.2;
510/139, 141, 142, 224, 298, 440, 446,
447, 297, 439, 194

(56) **References Cited**

U.S. PATENT DOCUMENTS

- D292,878 S * 11/1987 Commisso et al. D9/426
- D429,525 S * 8/2000 Richardson D24/104
- D446,447 S * 8/2001 Richardson D9/416
- D447,555 S * 9/2001 Richardson D24/104

* cited by examiner

Primary Examiner—Jennifer Rivard

(74) *Attorney, Agent, or Firm*—Akin Gump Strauss Hauer & Feld, L.L.P.

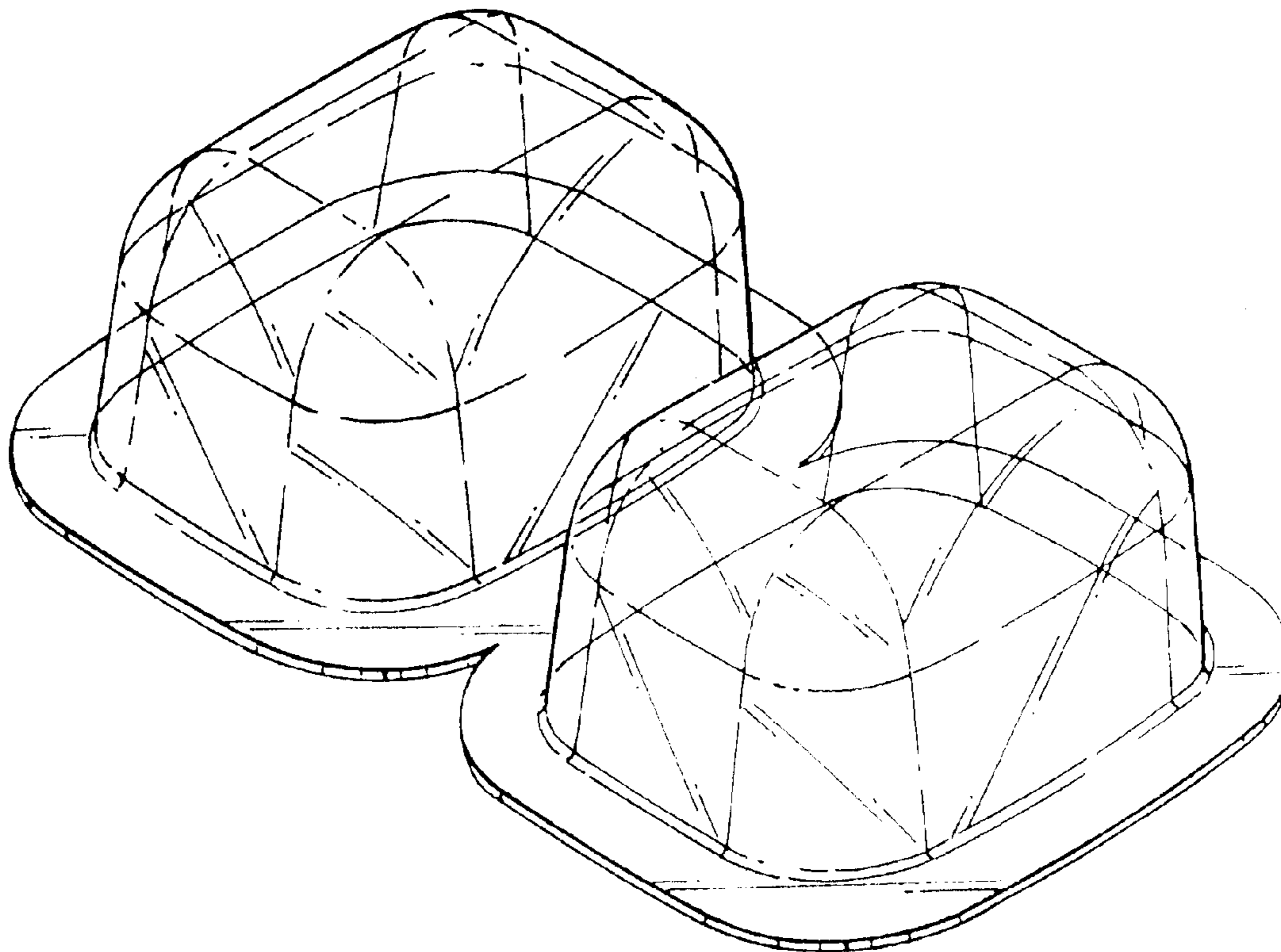
(57) **CLAIM**

The ornamental design for a capsule, as shown and described.

DESCRIPTION

FIG. 1 is a perspective view of a capsule in accordance with a first embodiment of my new design;
 FIG. 2 is a left side elevational view thereof with a right side elevational view thereof being identical,
 FIG. 3 is a rear elevational view thereof with a front elevational view thereof being a mirror image thereof;
 FIG. 4 is a top plan view thereof;
 FIG. 5 is a perspective view of a capsule in accordance with a second embodiment of my new design;
 FIG. 6 is a left side elevational view of the second embodiment with a right side elevational view thereof being identical;
 FIG. 7 is a front elevational view of the second embodiment with a rear elevational view being identical; and,
 FIG. 8 is a top plan view of the second embodiment.
 The bottom plan view of the capsule is not shown in the drawings or described in the specification and, therefore, forms no part of the claimed design.

1 Claim, 2 Drawing Sheets



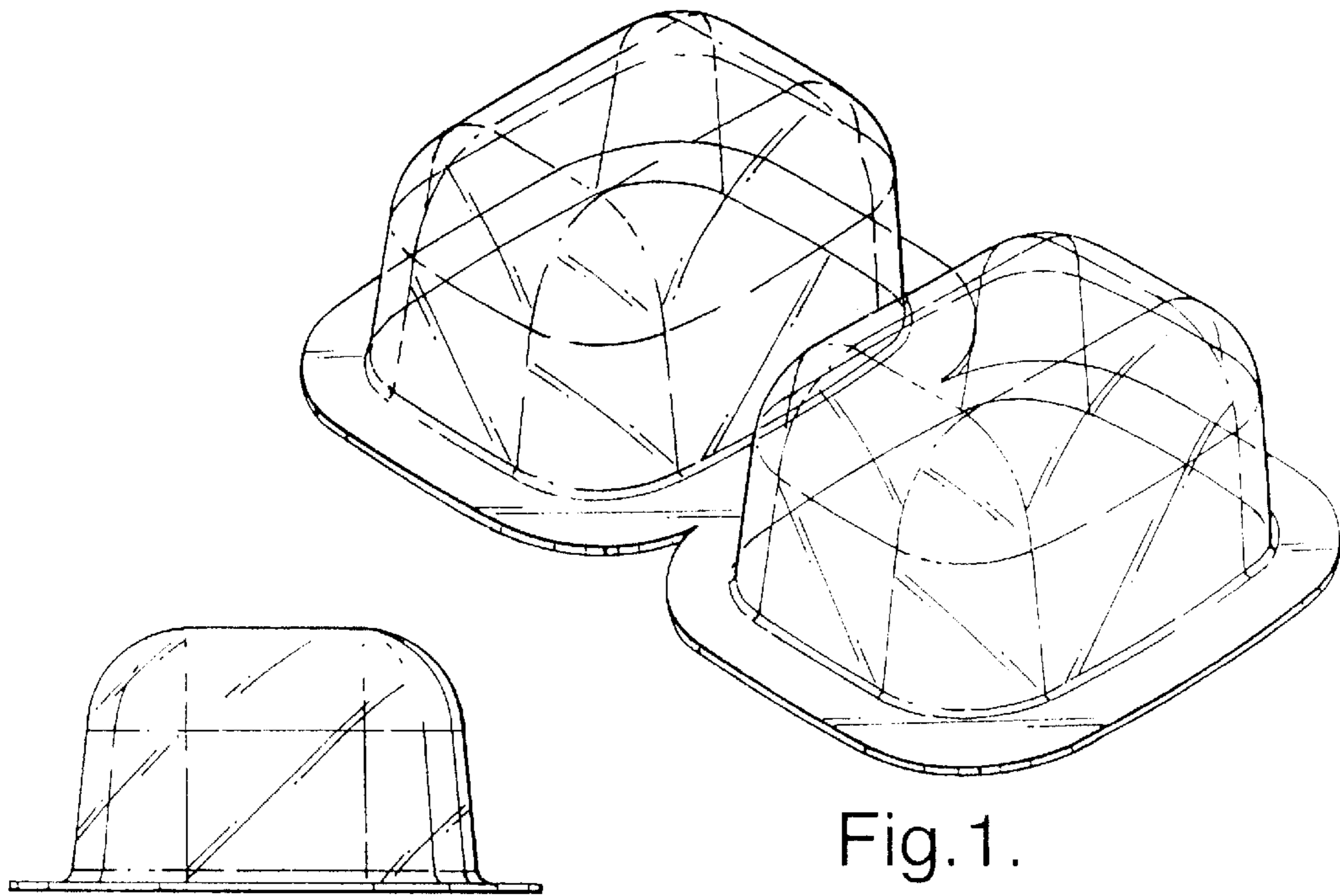


Fig.2.

Fig.1.

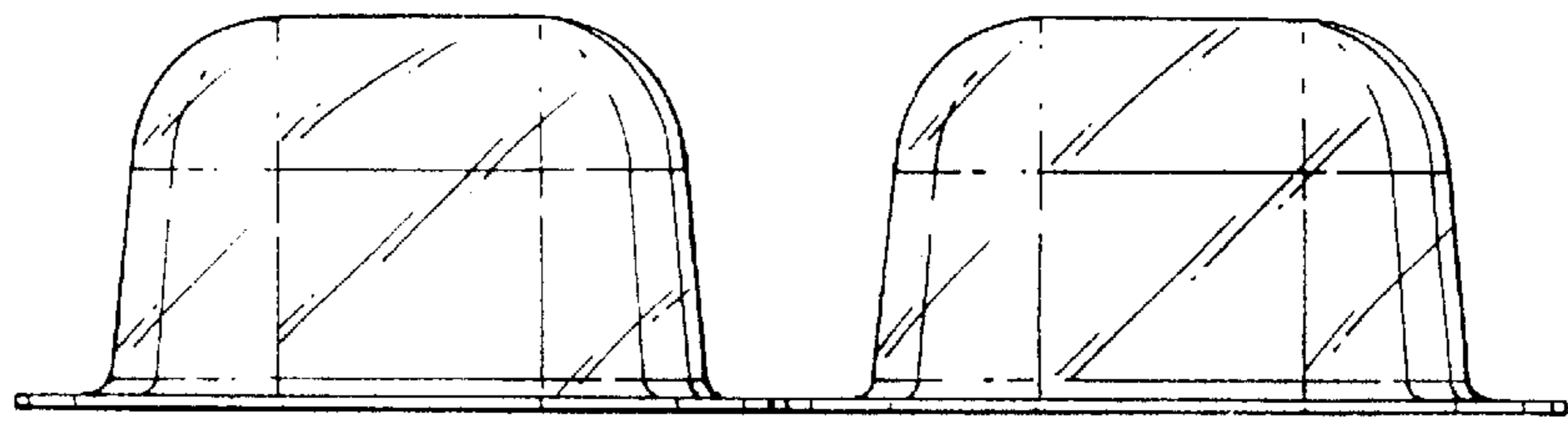


Fig.3.

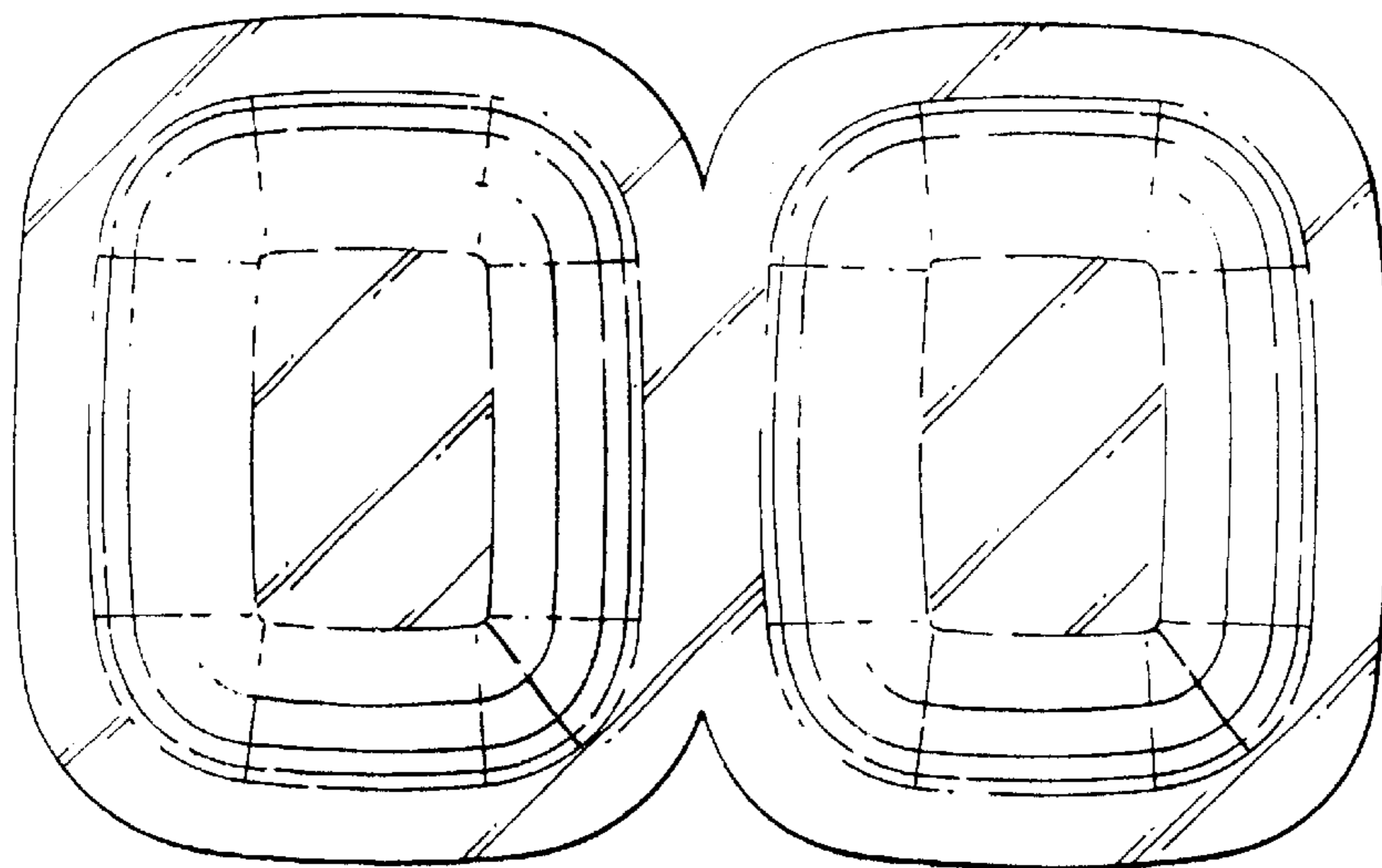


Fig.4.

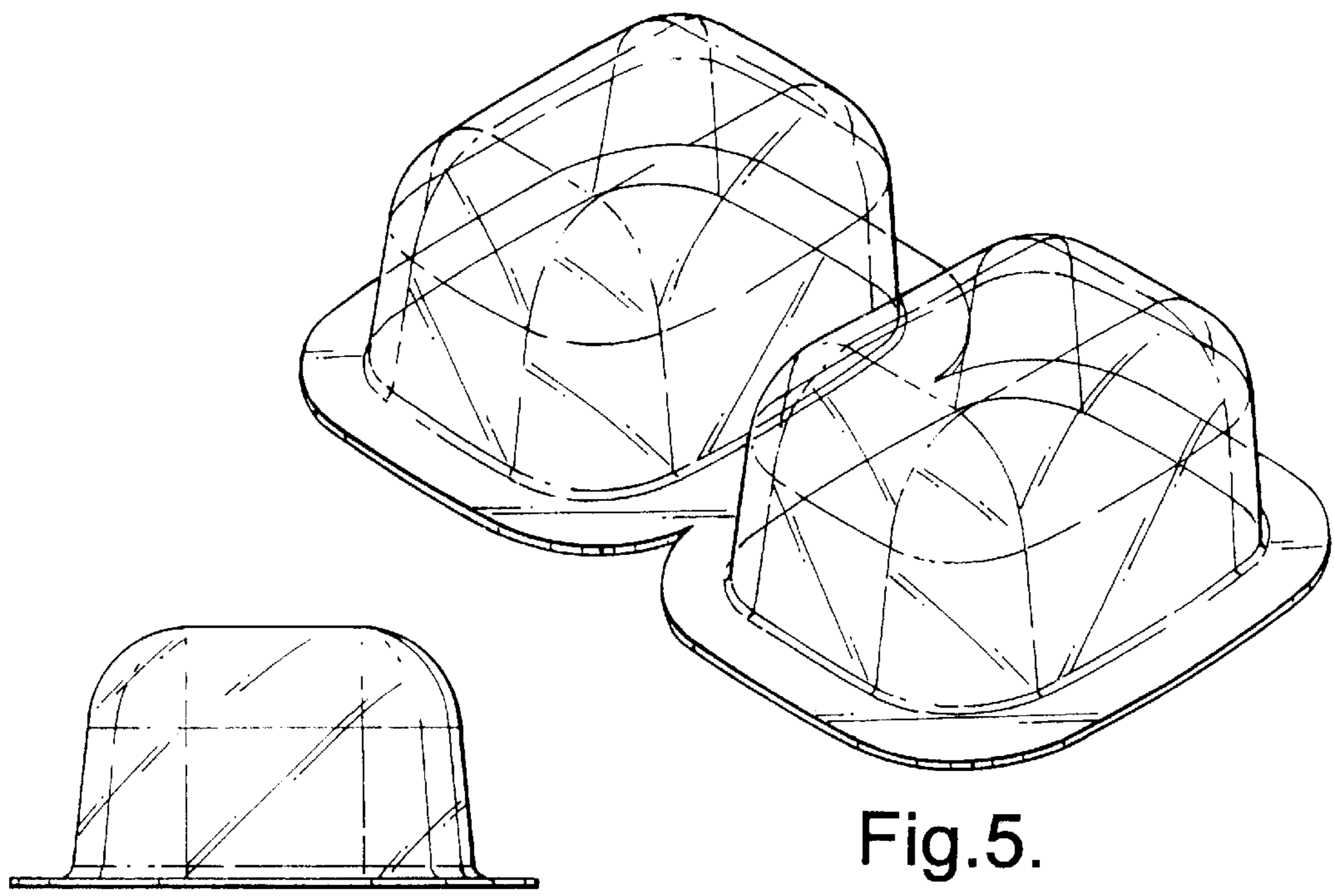


Fig.6.

Fig.5.

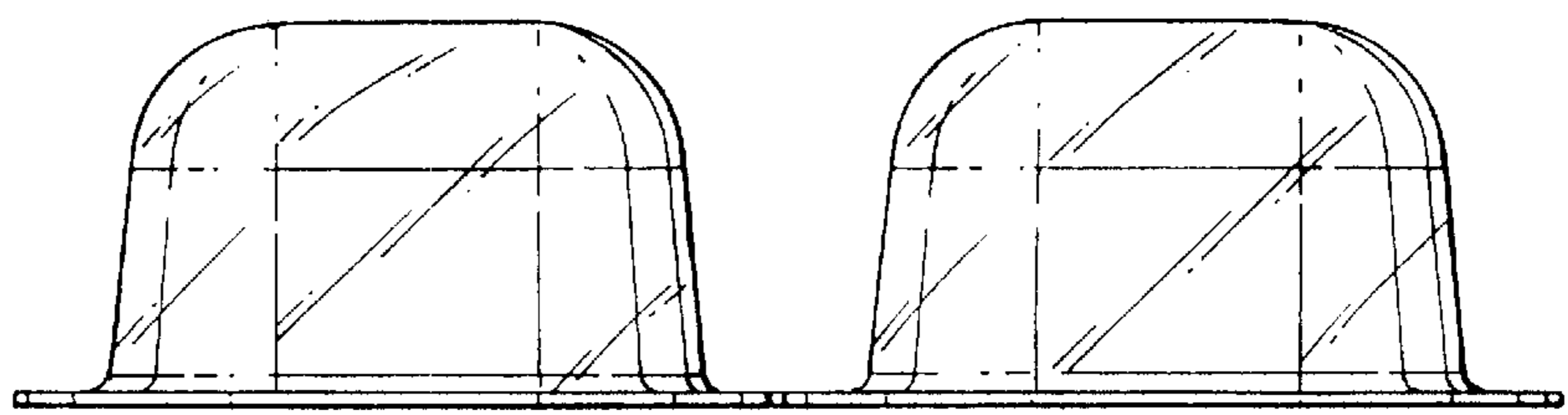


Fig.7.

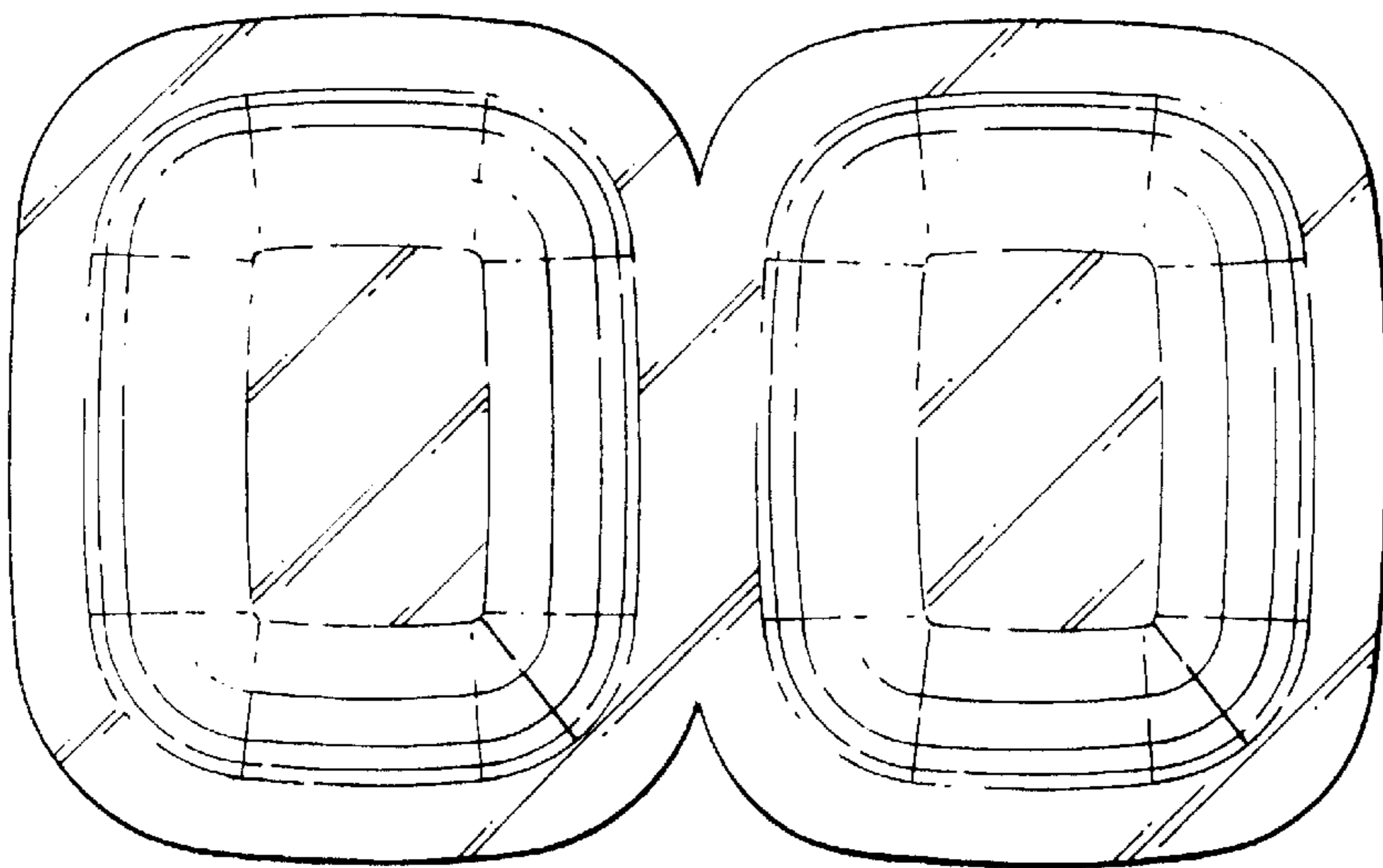


Fig.8.