



US00D485931S

(12) **United States Design Patent**
Sooferian

(10) **Patent No.:** **US D485,931 S**

(45) **Date of Patent:** **** Jan. 27, 2004**

(54) **ROMAN LANTERN**

Murray Feiss Catalog 2000, p. 151, lantern model # OL1511 WP.*

(76) Inventor: **Danny H. Sooferian**, 425-I Constitution Ave., Camarillo, CA (US) 93012

* cited by examiner

(**) Term: **14 Years**

Primary Examiner—Clare E Heflin

(21) Appl. No.: **29/150,423**

(74) *Attorney, Agent, or Firm*—Colin P. Abrahams

(22) Filed: **Nov. 21, 2001**

(57) **CLAIM**

(51) **LOC (7) Cl.** **26-05**

The ornamental design for a roman lantern, as shown.

(52) **U.S. Cl.** **D26/72**

DESCRIPTION

(58) **Field of Search** D26/72, 80, 85–87,
D26/92, 67, 118, 129; 362/147, 432, 404–408,
362, 363

FIG. 1 is a left side view of the lantern of my new design;
FIG. 2 is a right side view of the lantern shown in FIG. 1;
FIG. 3 is a front view of the lantern shown in FIG. 1;
FIG. 4 is a back view of the lantern shown in FIG. 1;
FIG. 5 is a perspective front view of the lantern shown in FIG. 1, viewed from above;
FIG. 6 is a top view of the lantern shown in FIG. 1; and,
FIG. 7 is a bottom view of the lantern shown in FIG. 1.

(56) **References Cited**

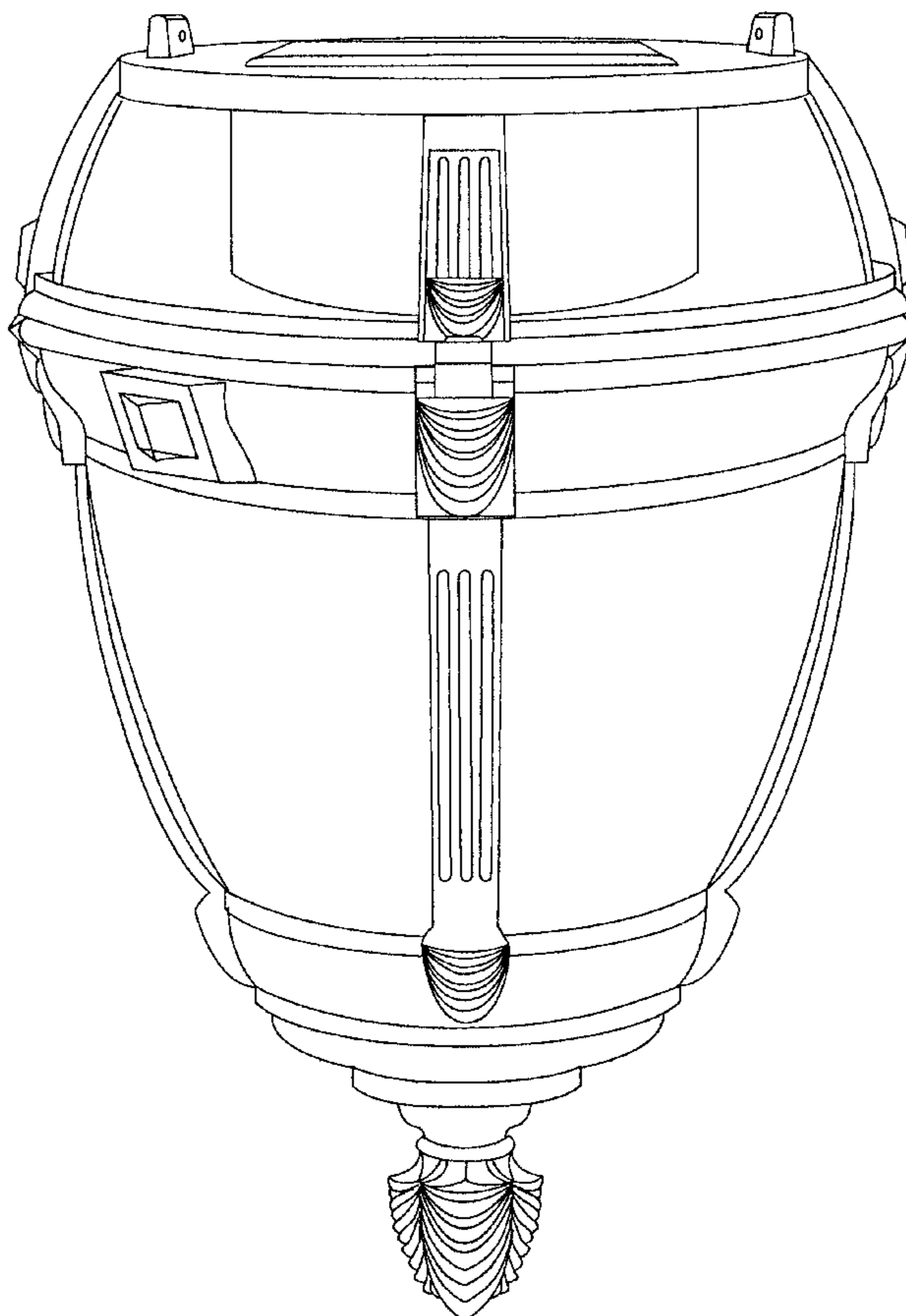
U.S. PATENT DOCUMENTS

- D447,263 S * 8/2001 Hidalgo D26/72
- D451,621 S * 12/2001 Jones et al. D26/87
- D454,407 S * 3/2002 DeaArmond D26/87

OTHER PUBLICATIONS

Taiwan Lighting May 2000, p. 68, lanterns # 230 W/GN and #243 W/DG.*

1 Claim, 7 Drawing Sheets



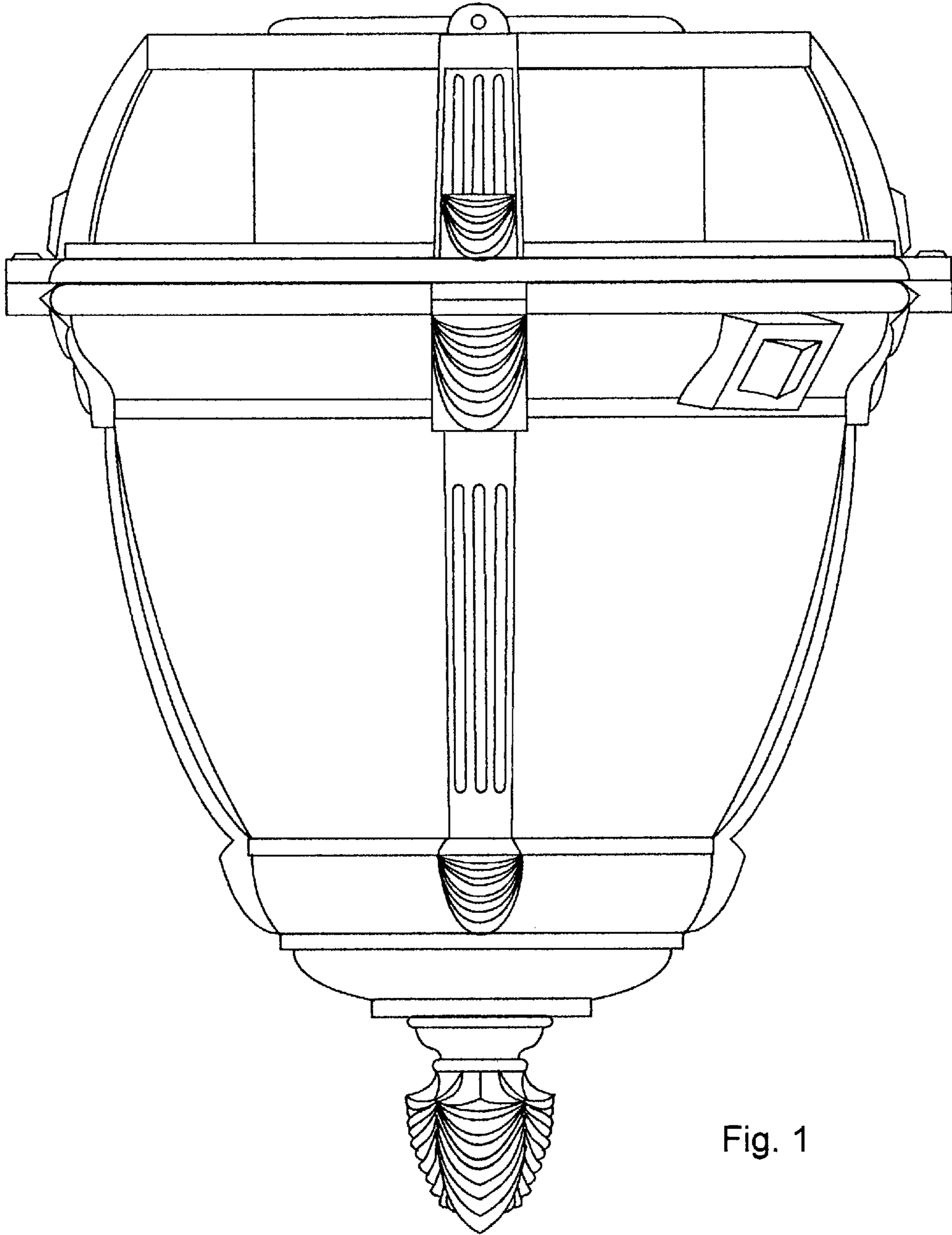


Fig. 1

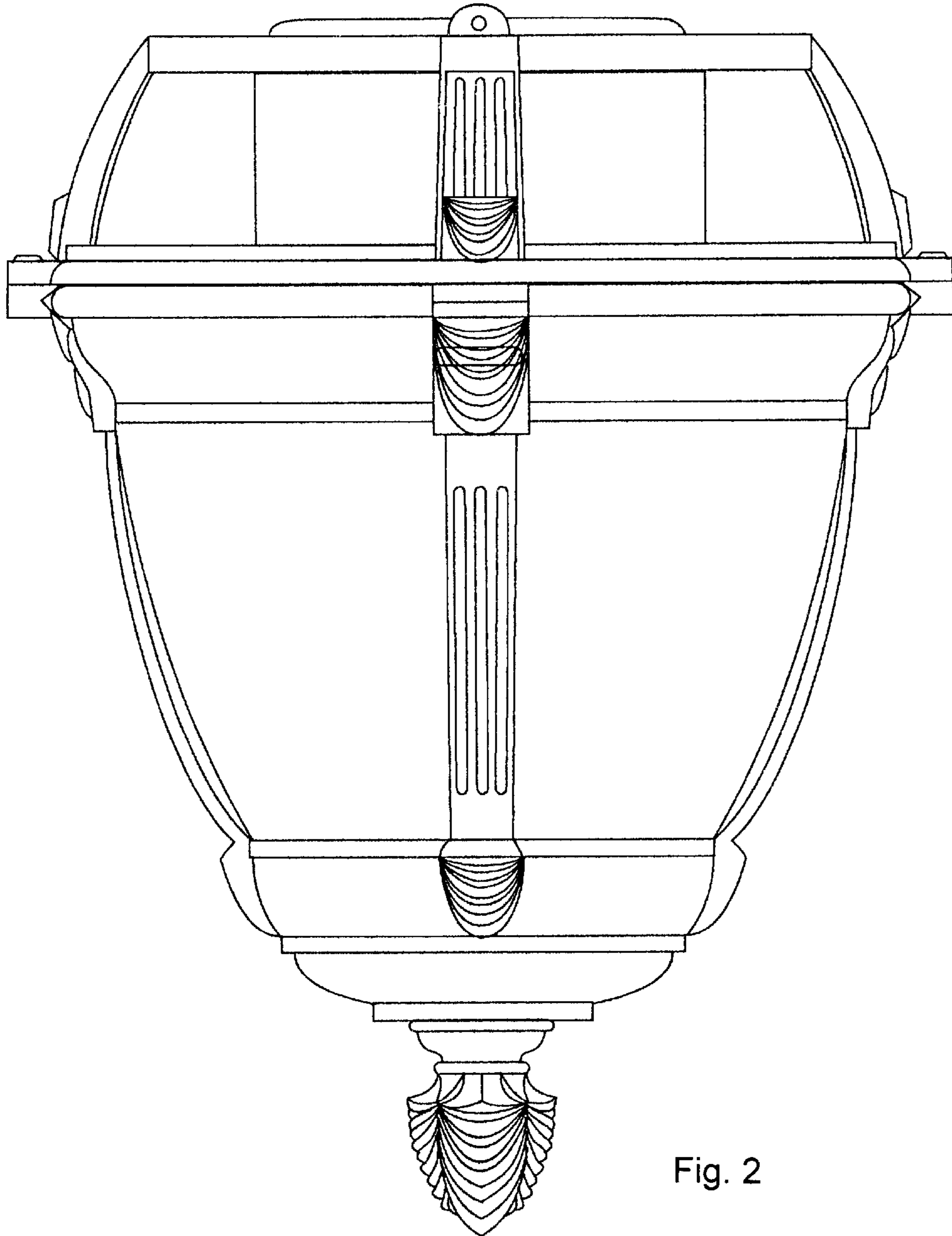


Fig. 2

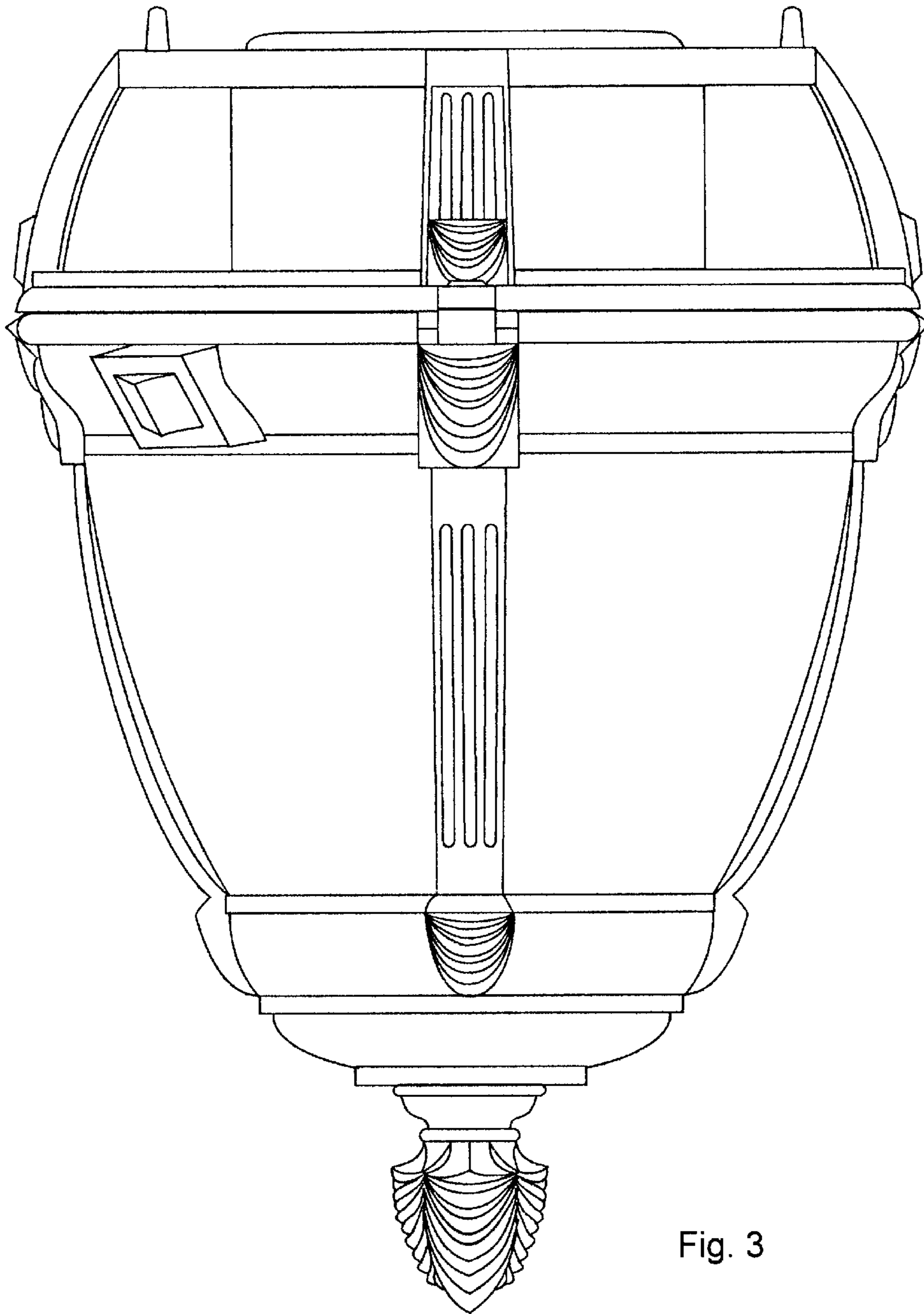


Fig. 3

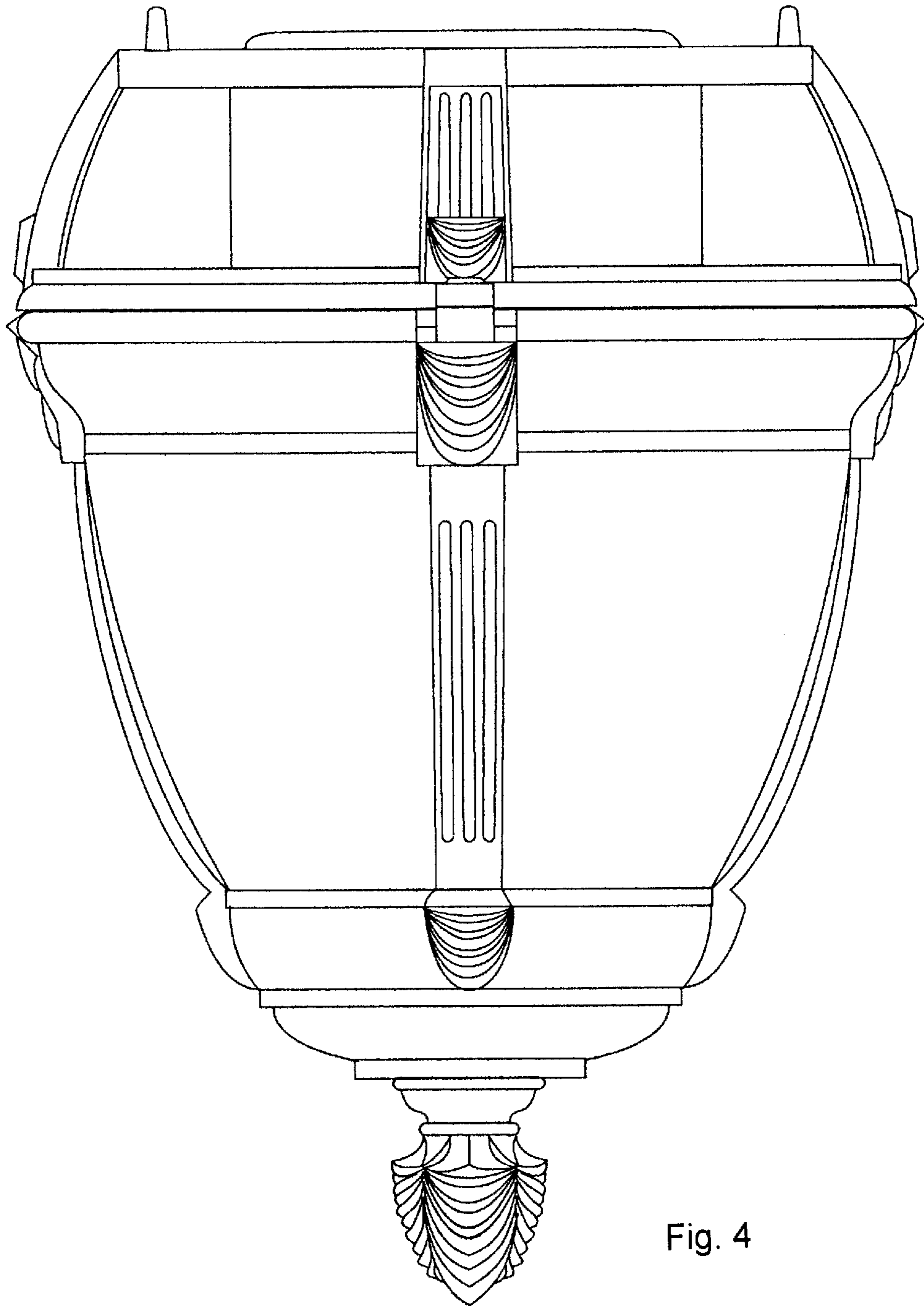


Fig. 4

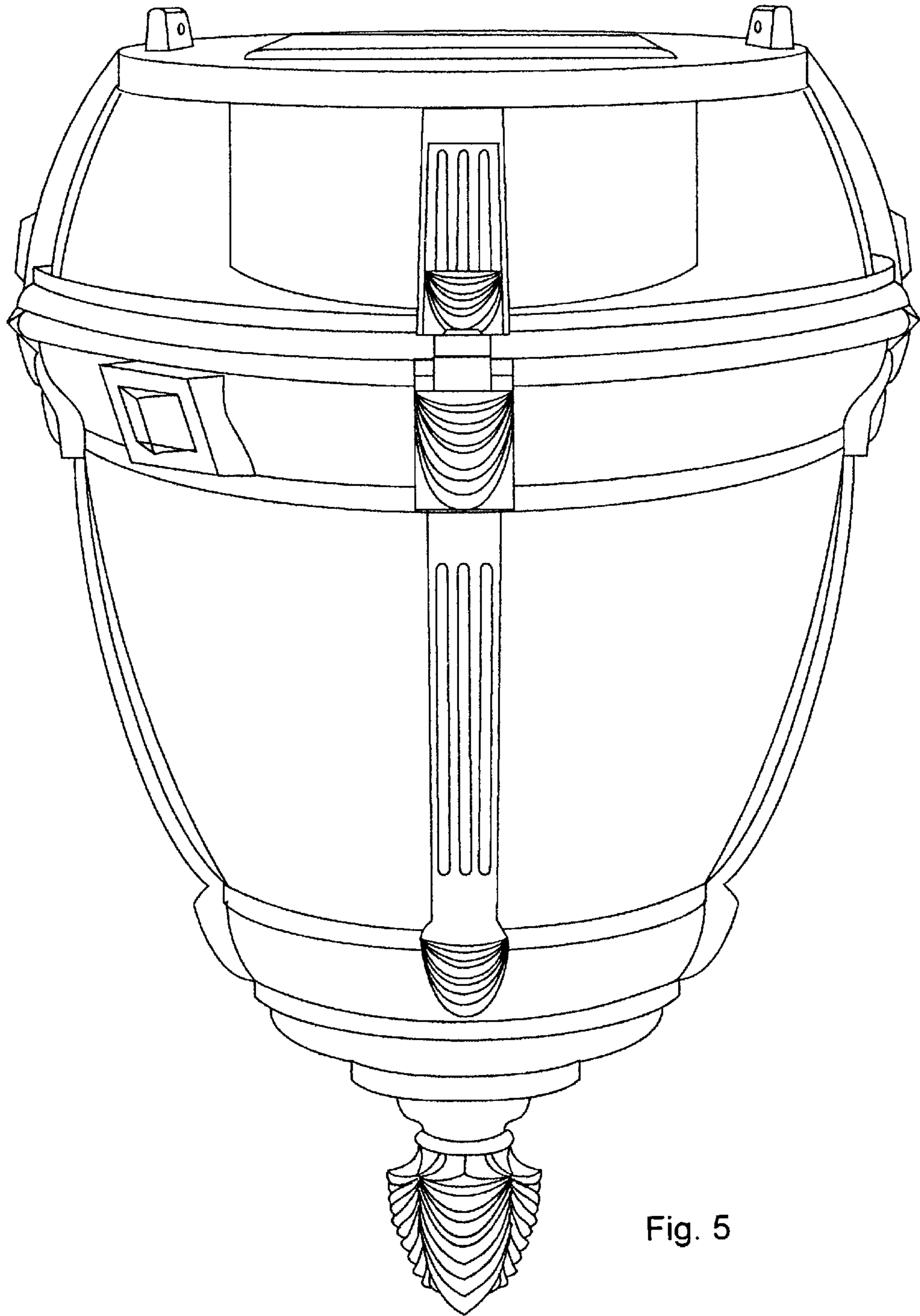


Fig. 5

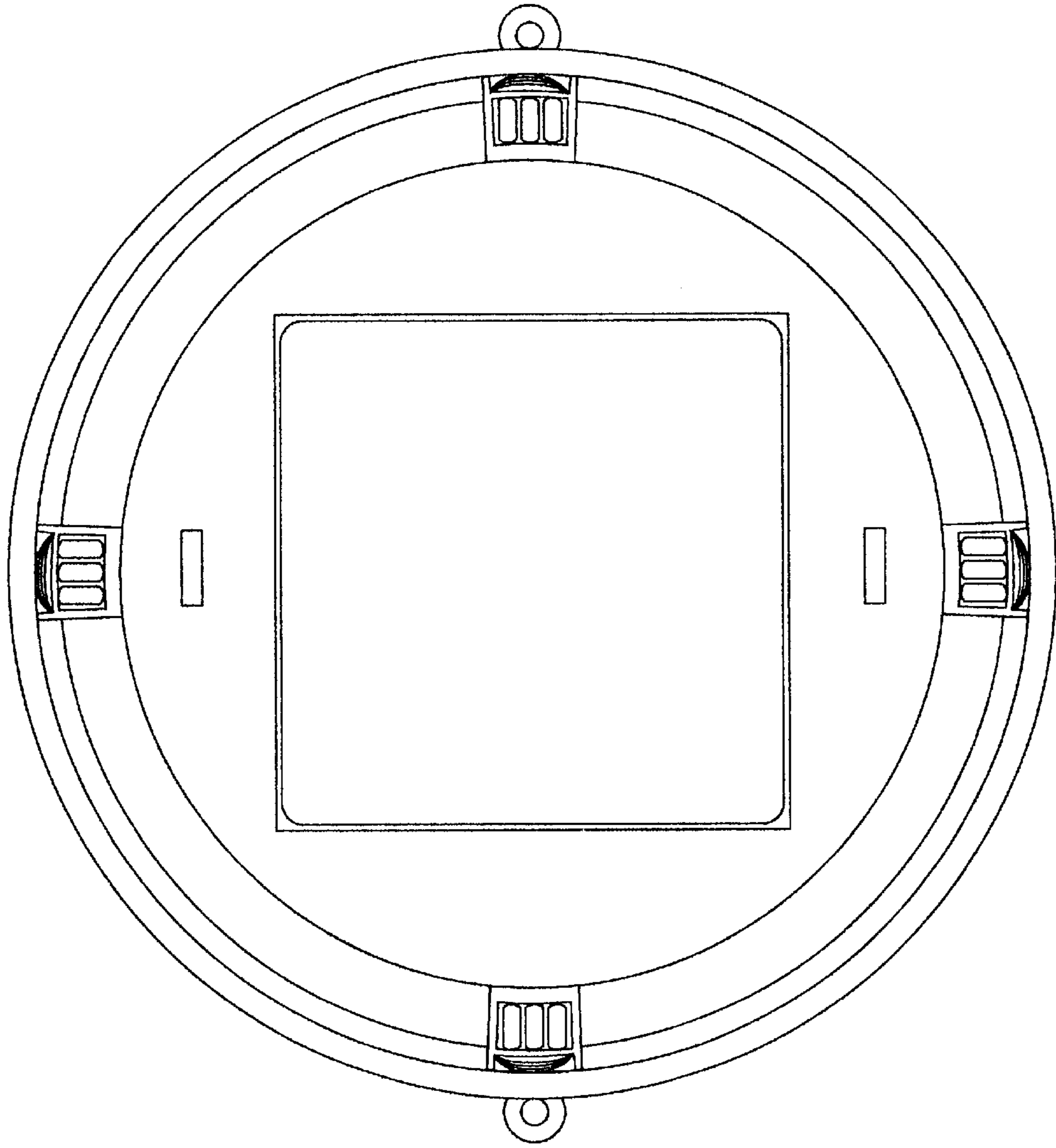


Fig. 6

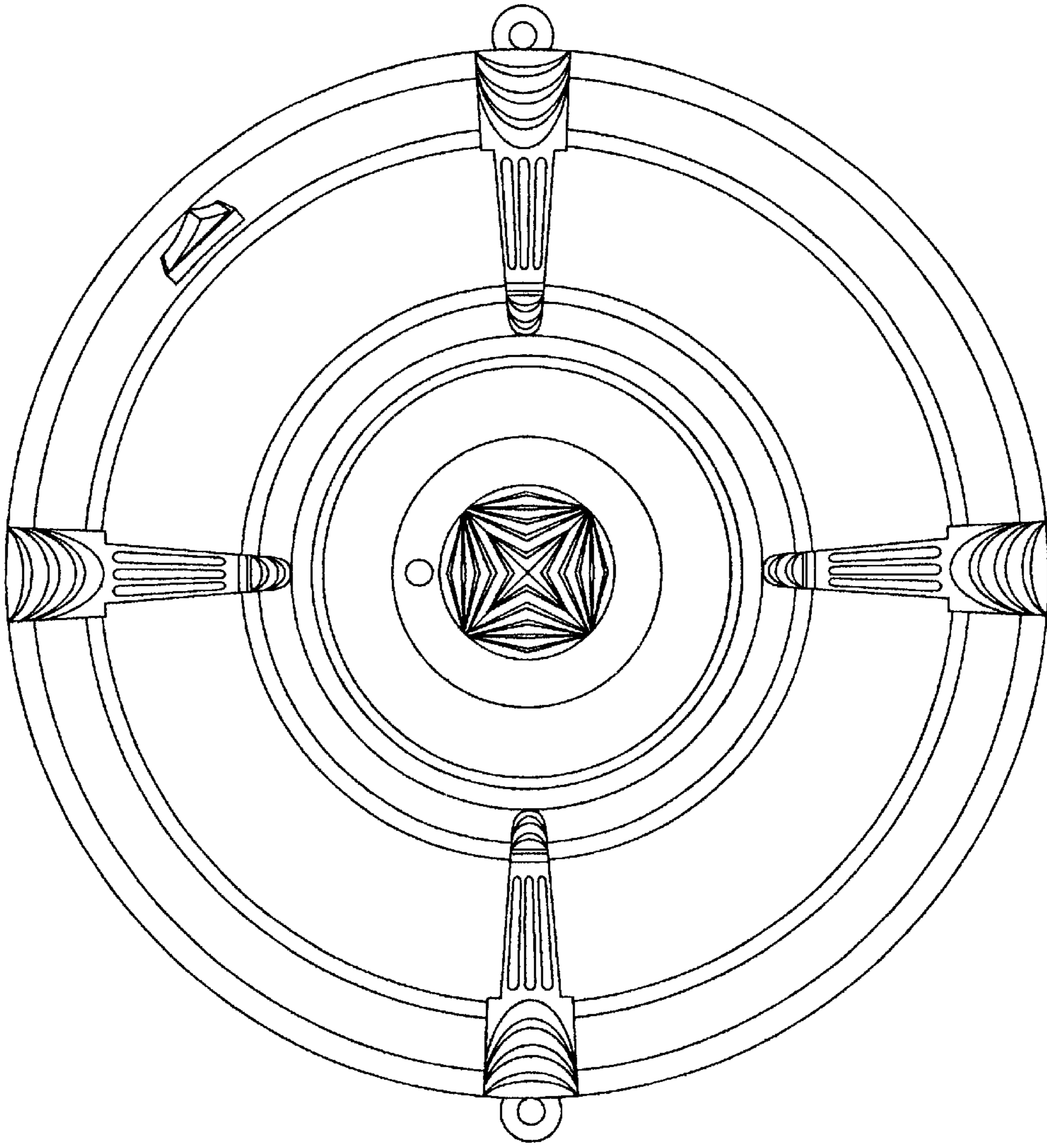


Fig. 7