



US00D485928S

(12) **United States Design Patent**
Leung et al.

(10) **Patent No.:** **US D485,928 S**
(45) **Date of Patent:** **** Jan. 27, 2004**

(54) **LANTERN**

OTHER PUBLICATIONS

(75) **Inventors:** **Ambrose Shing-Yin Leung**, Kwai Chung (HK); **Benson Chung-Pun Leung**, Kwai Chung (HK)

Coleman Collectors Guide 1903–1954, selected pages, published Mar., 1996.

* cited by examiner

(73) **Assignee:** **The Coleman Company, Inc.**, Wichita, KS (US)

Primary Examiner—Marcus A. Jackson

(**) **Term:** **14 Years**

(57) **CLAIM**

We claim the ornamental design for lantern, as shown and described.

(21) **Appl. No.:** **29/183,200**

DESCRIPTION

(22) **Filed:** **Jun. 6, 2003**

(51) **LOC (7) Cl.** **26-02**

FIG. 1 is a perspective view of a lantern according to the new design.

(52) **U.S. Cl.** **D26/40**

FIG. 2 is a front view of the lantern shown in FIG. 1.

(58) **Field of Search** D26/37–50; 362/157, 362/158, 171, 172, 173, 183–208

FIG. 3 is a side view of the lantern shown in FIG. 1.

FIG. 4 is a rear view of the lantern shown in FIG. 1.

FIG. 5 is a top view of the lantern shown in FIG. 1; and,

FIG. 6 is a bottom view of the lantern shown in FIG. 1.

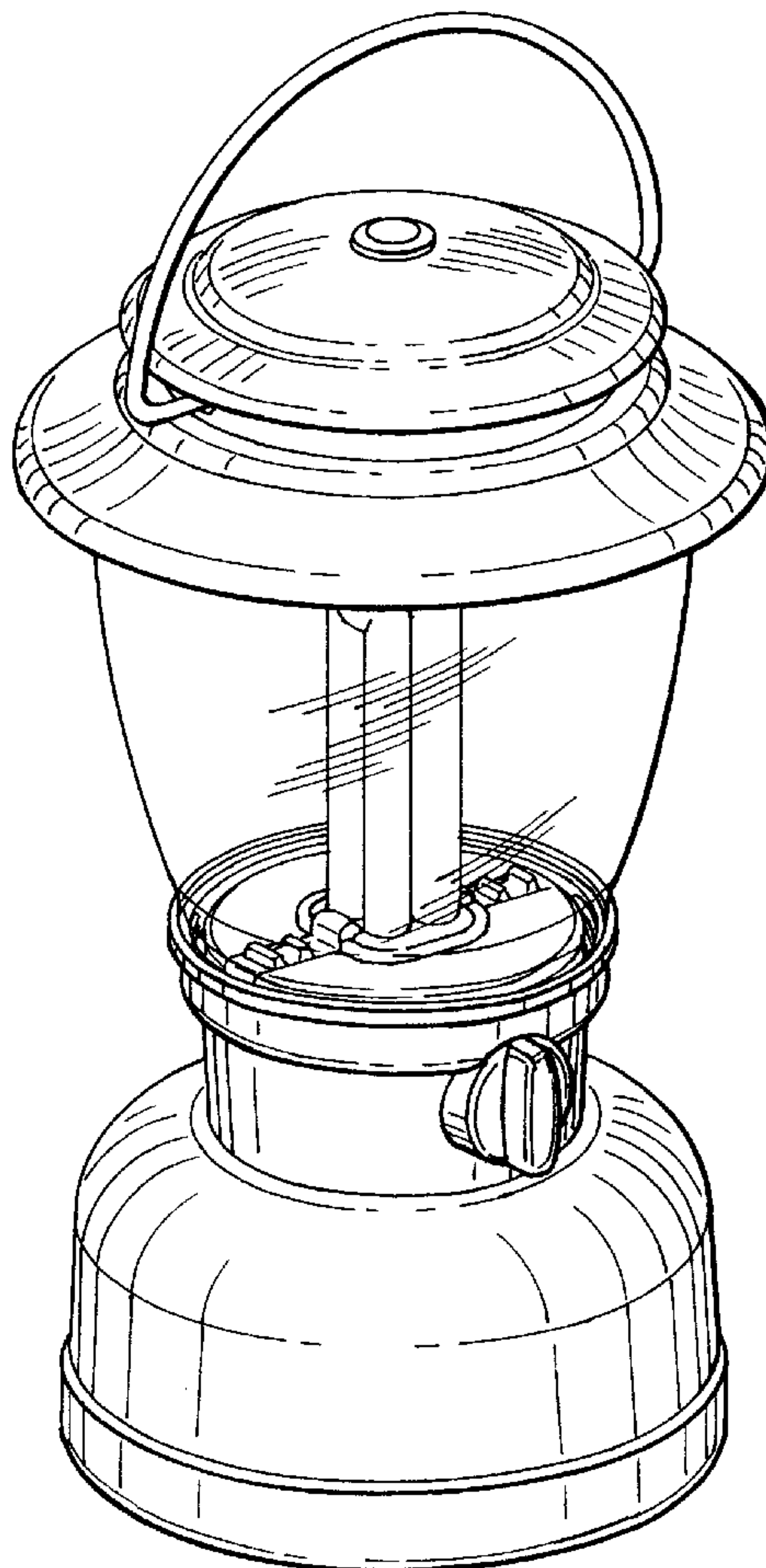
Features shown in broken lines in the drawings are not part of the claim.

(56) **References Cited**

U.S. PATENT DOCUMENTS

D421,660 S	*	3/2000	Shing	D26/40
D433,762 S	*	11/2000	Yuen	D26/40
D468,039 S	*	12/2002	Poon	D26/40

1 Claim, 3 Drawing Sheets



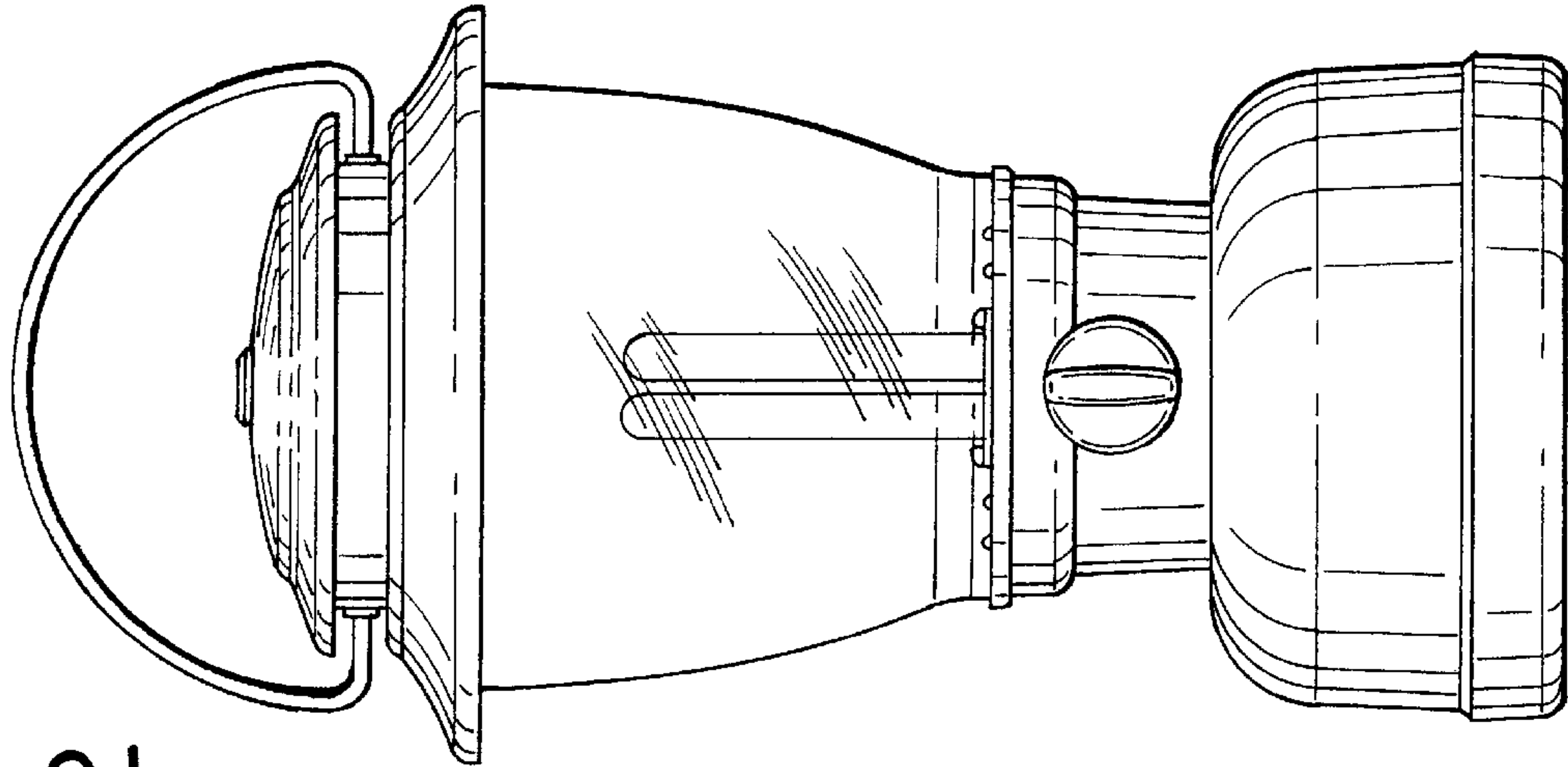


FIG. 2

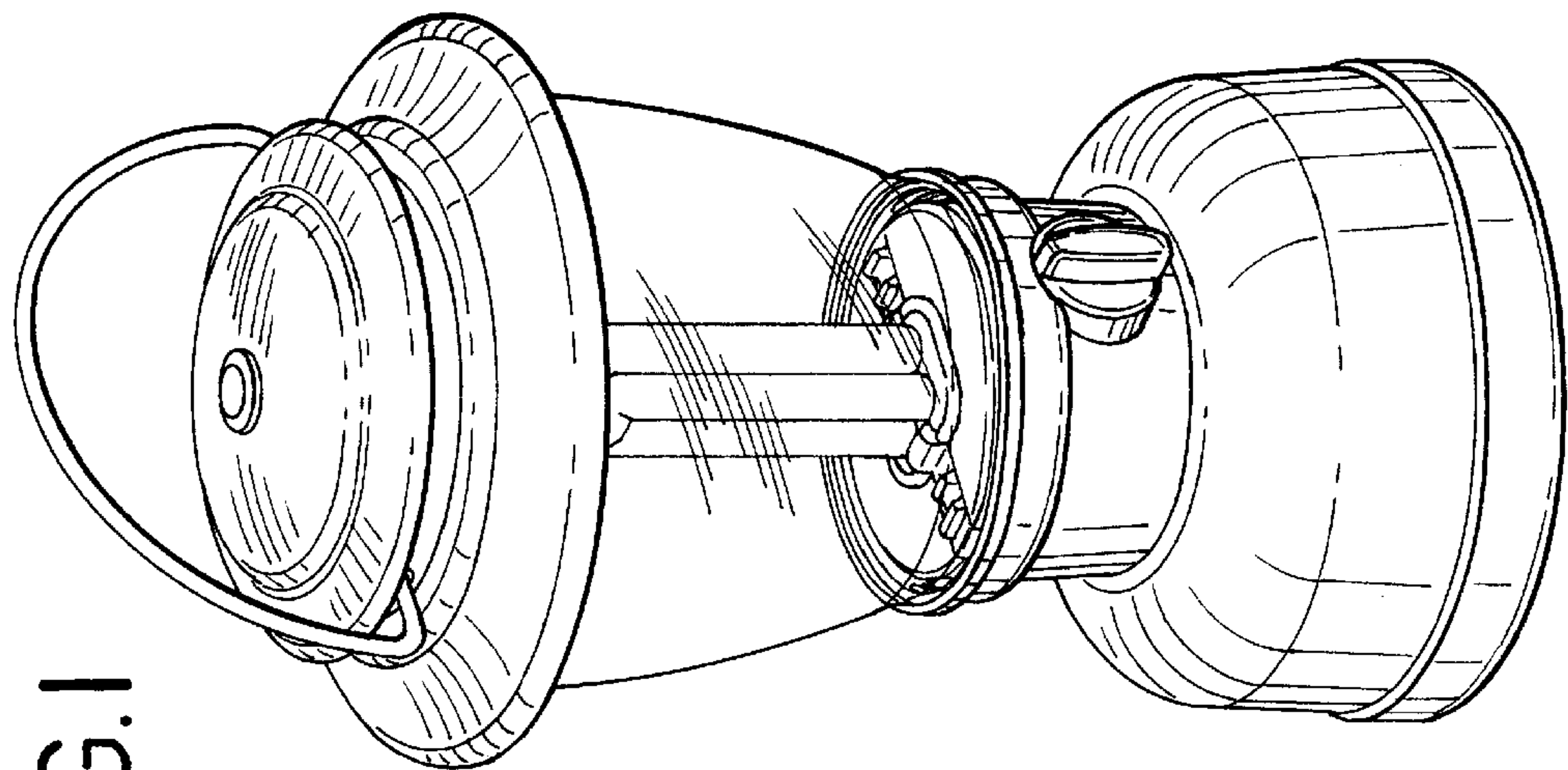


FIG. 1

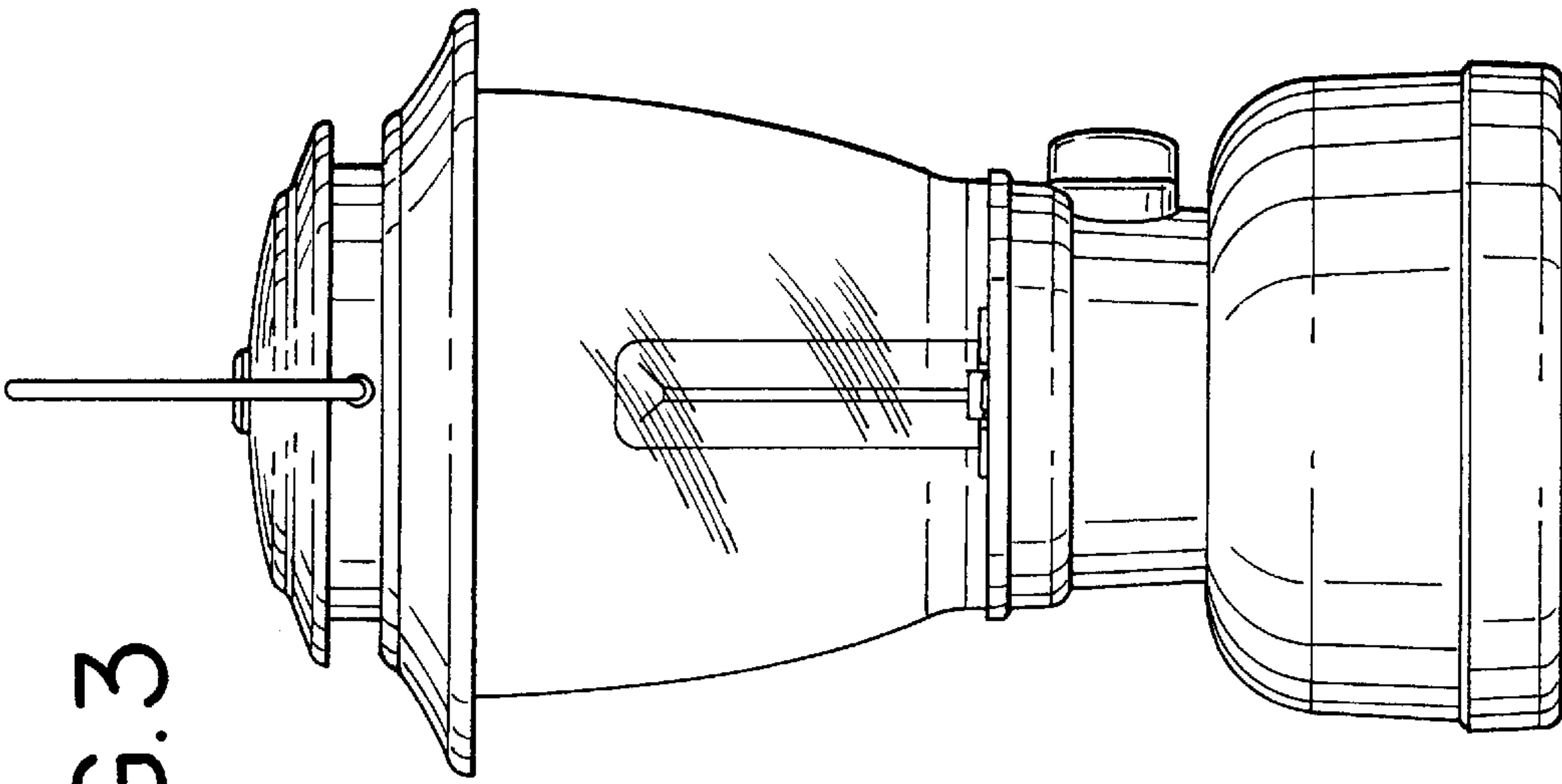


FIG. 3

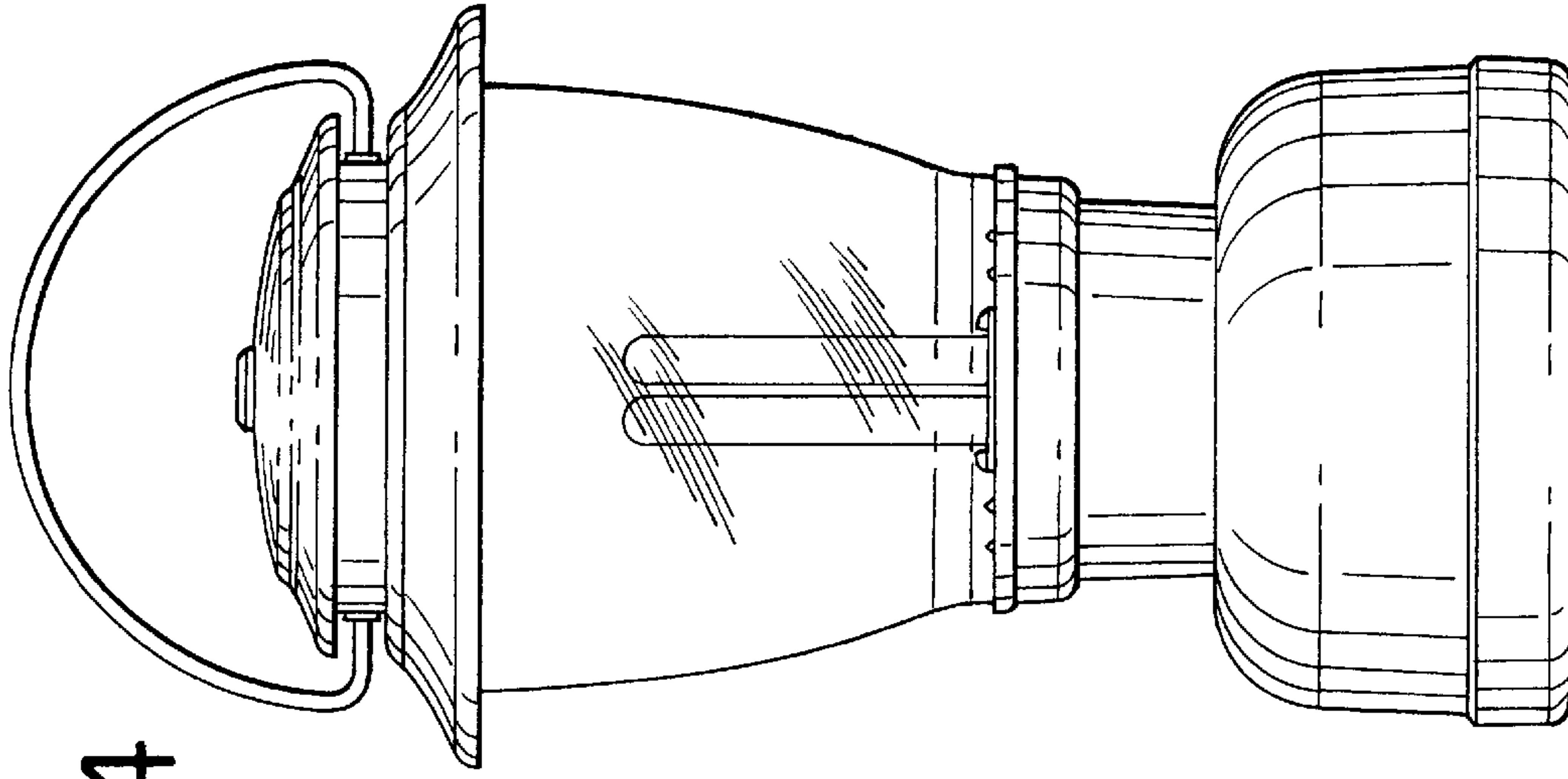


FIG. 4

FIG. 5

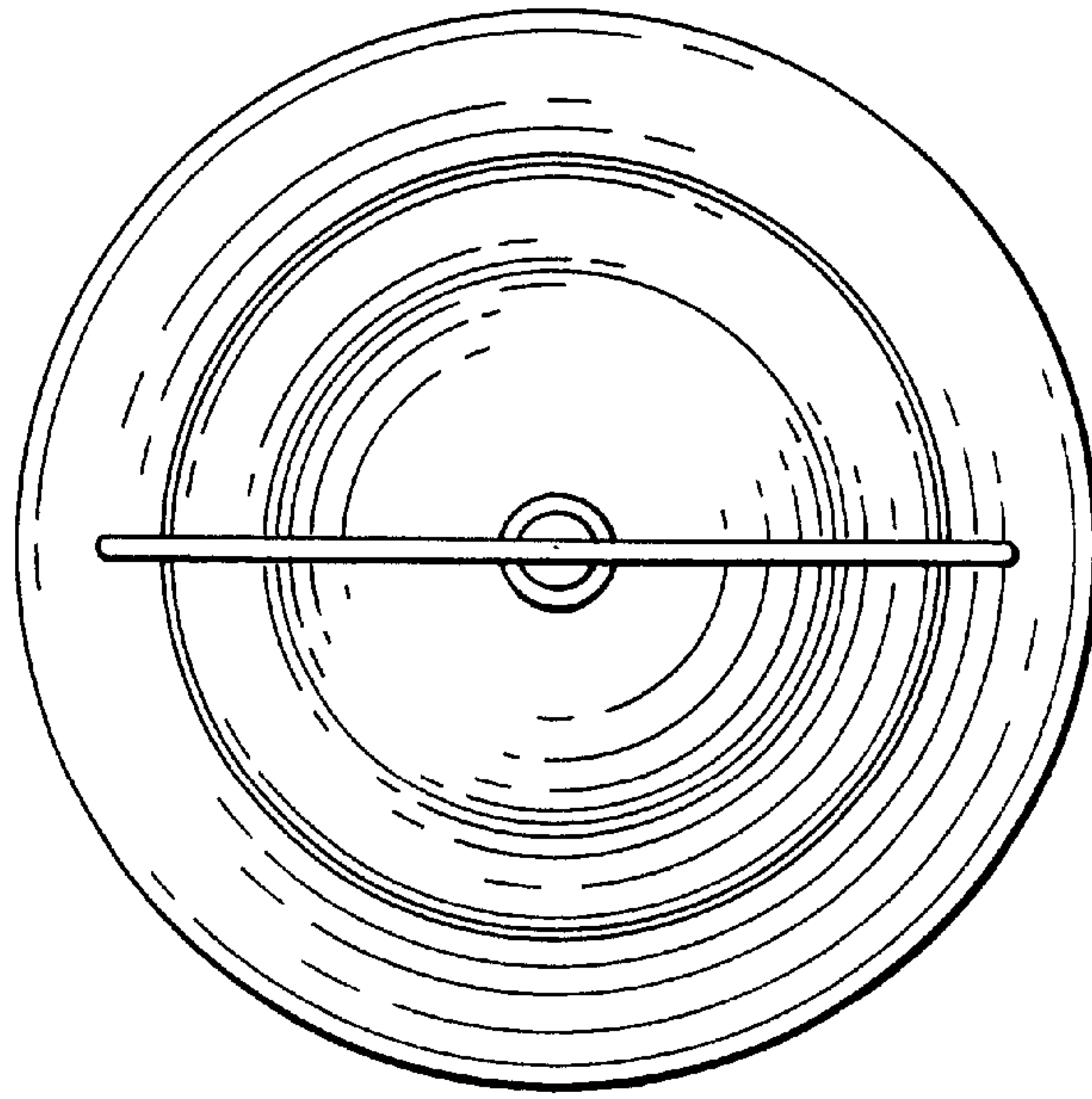


FIG. 6

