



US00D485925S

(12) **United States Design Patent**  
**Oas**

(10) **Patent No.:** **US D485,925 S**

(45) **Date of Patent:** **\*\* Jan. 27, 2004**

(54) **PEN LIGHT AND PEN LIGHT HOLDER AND CHARGER**

**DESCRIPTION**

(76) Inventor: **Daniel R. Oas**, 3630 Cypress St., El Monte, CA (US) 91731

(\*\*) Term: **14 Years**

(21) Appl. No.: **29/178,491**

(22) Filed: **Mar. 28, 2003**

(51) **LOC (7) Cl.** ..... **26-02**

(52) **U.S. Cl.** ..... **D26/38**

(58) **Field of Search** ..... D26/37-50; 362/157, 362/158, 171, 172, 173, 183-208

FIG. 1 is a perspective view showing the top, front and left side of a pen light holder and charger and the pen lights showing my new design;

FIG. 2 is a perspective view showing the top, back and right side thereof with the plug extended;

FIG. 3 is a perspective view showing the top, back and right side thereof with the plugs retracted;

FIG. 4 is a bottom view thereof;

FIG. 5 is an exploded perspective view showing the top, front and left side of a pen light and the pen light holder and charger thereof;

FIG. 6 is a perspective view showing the top and front of a pen light thereof;

FIG. 7 is a perspective view showing the rear and bottom of the pen light thereof;

FIG. 8 is a right side view of a pen light thereof;

FIG. 9 is a perspective view showing the top, left side and front of the pen light holder and charger thereof; and,

FIG. 10 is a top view of the pen light holder and charger thereof.

(56) **References Cited**

**U.S. PATENT DOCUMENTS**

D210,732 S \* 4/1968 Anderson ..... D26/38  
D432,689 S \* 10/2000 Yuen ..... D26/38

\* cited by examiner

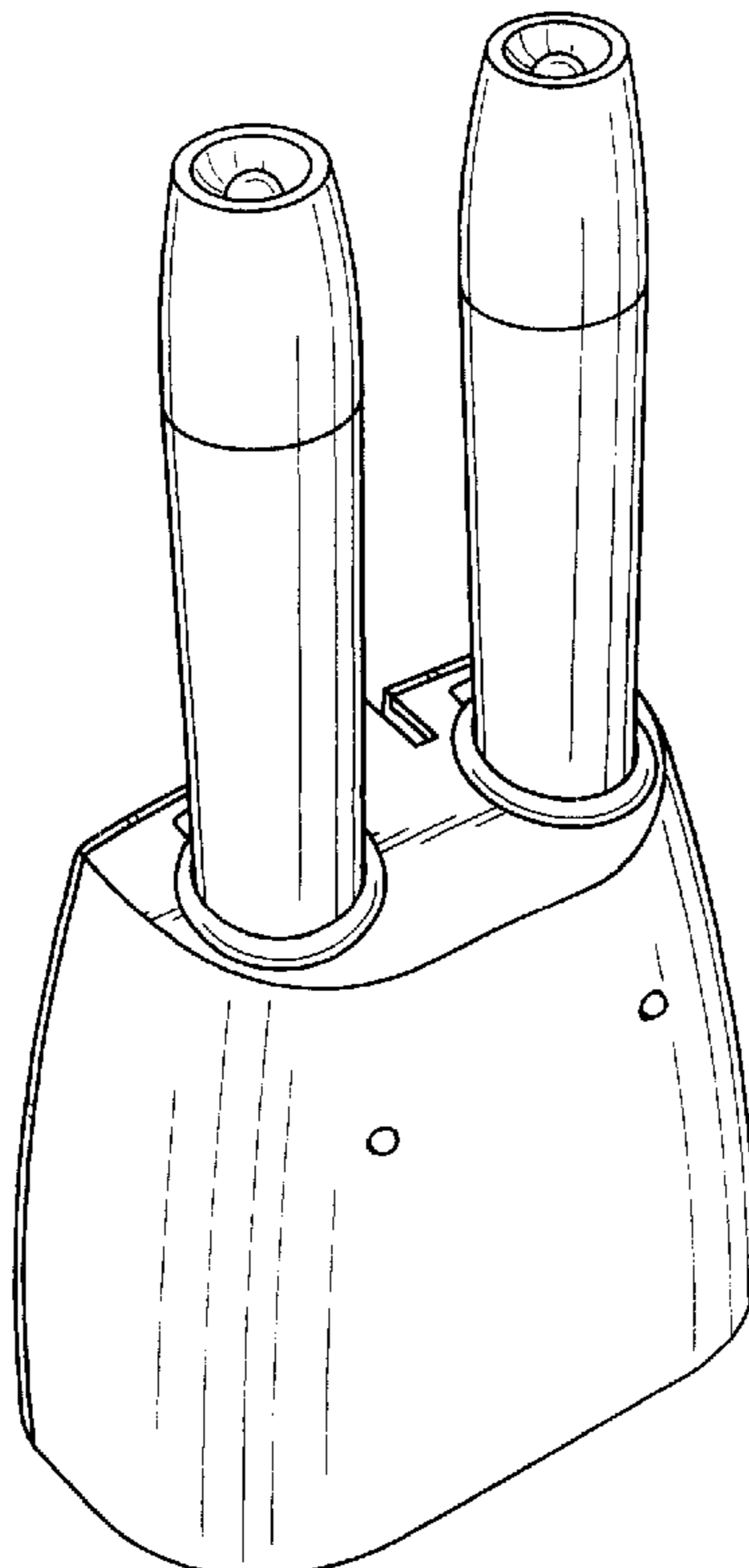
*Primary Examiner*—Marcus A. Jackson

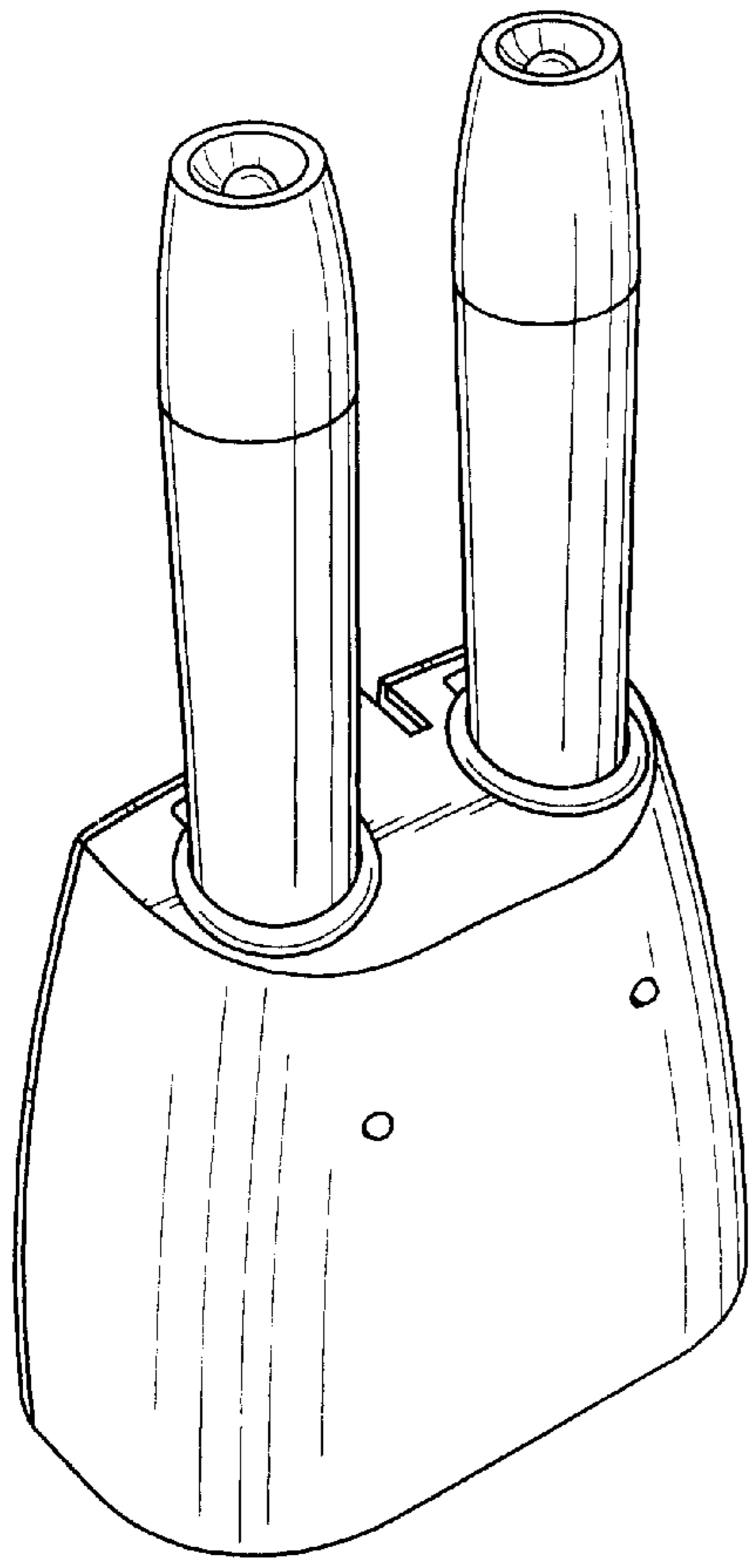
(74) *Attorney, Agent, or Firm*—Edgar W. Averill, Jr.

(57) **CLAIM**

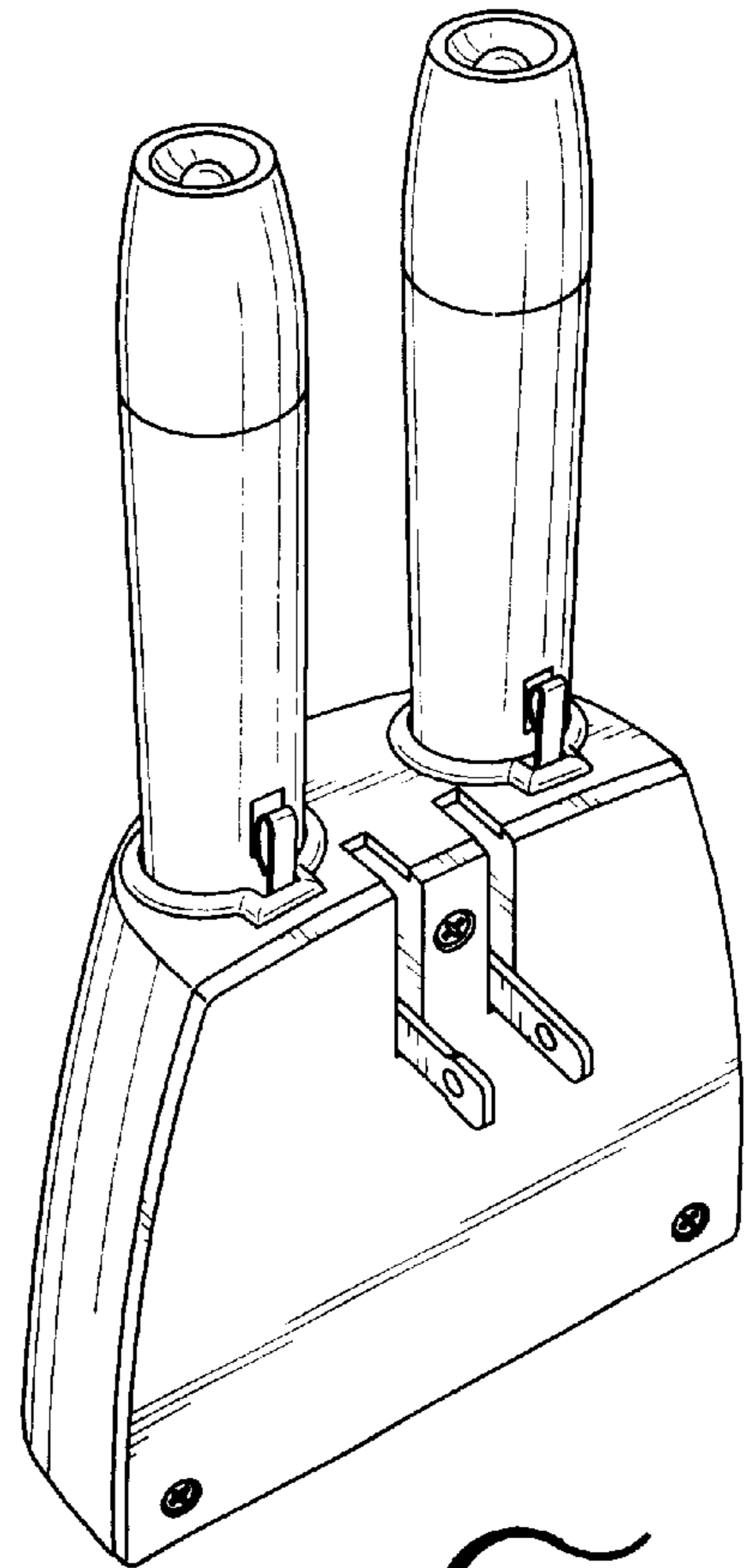
The ornamental design for a pen light and pen light holder and charger.

**1 Claim, 3 Drawing Sheets**

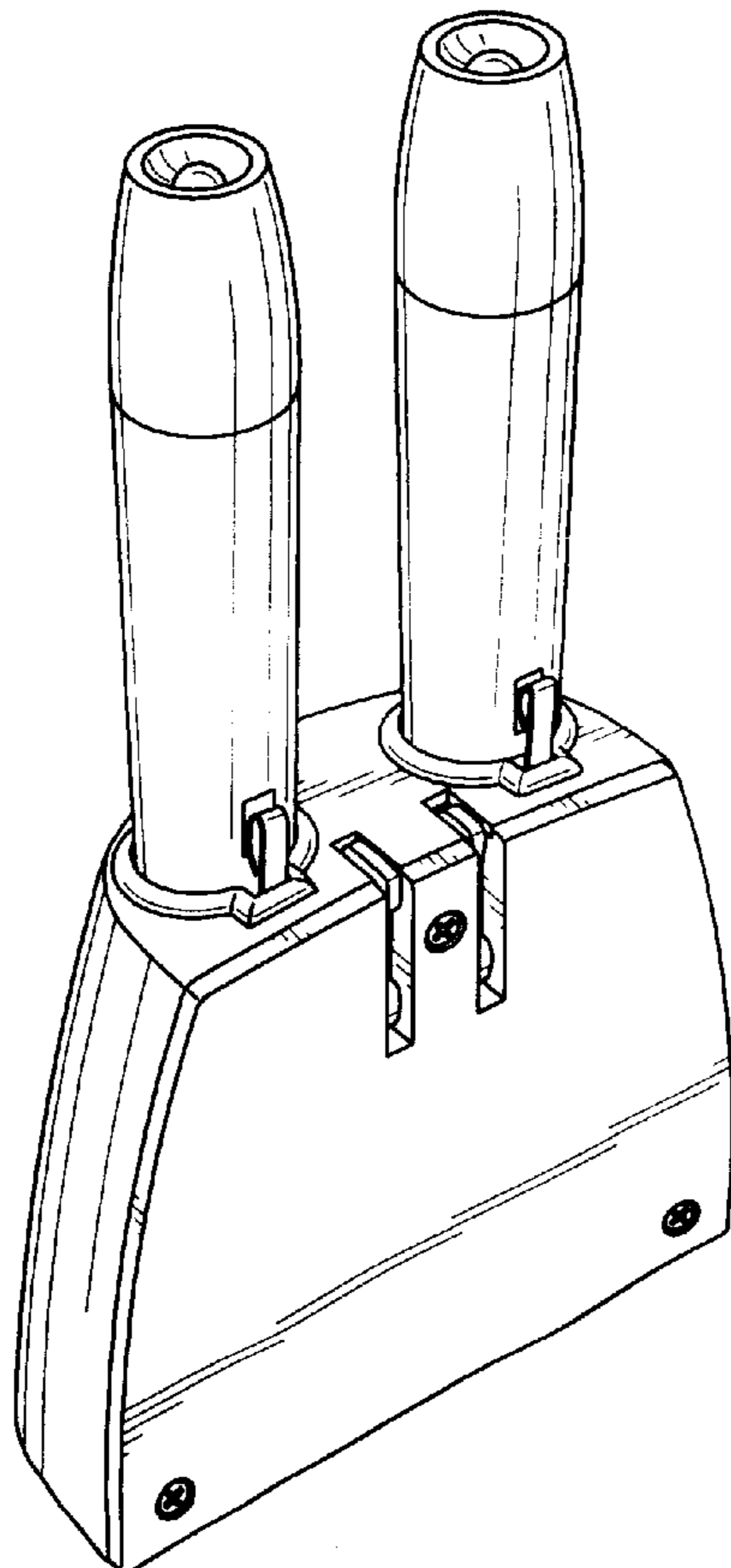




*FIG. 1*

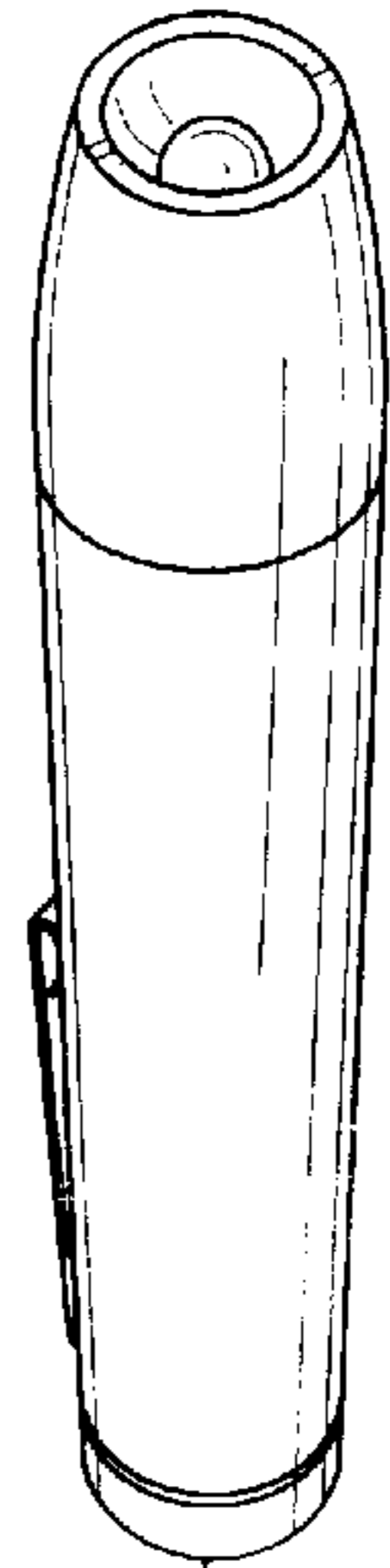
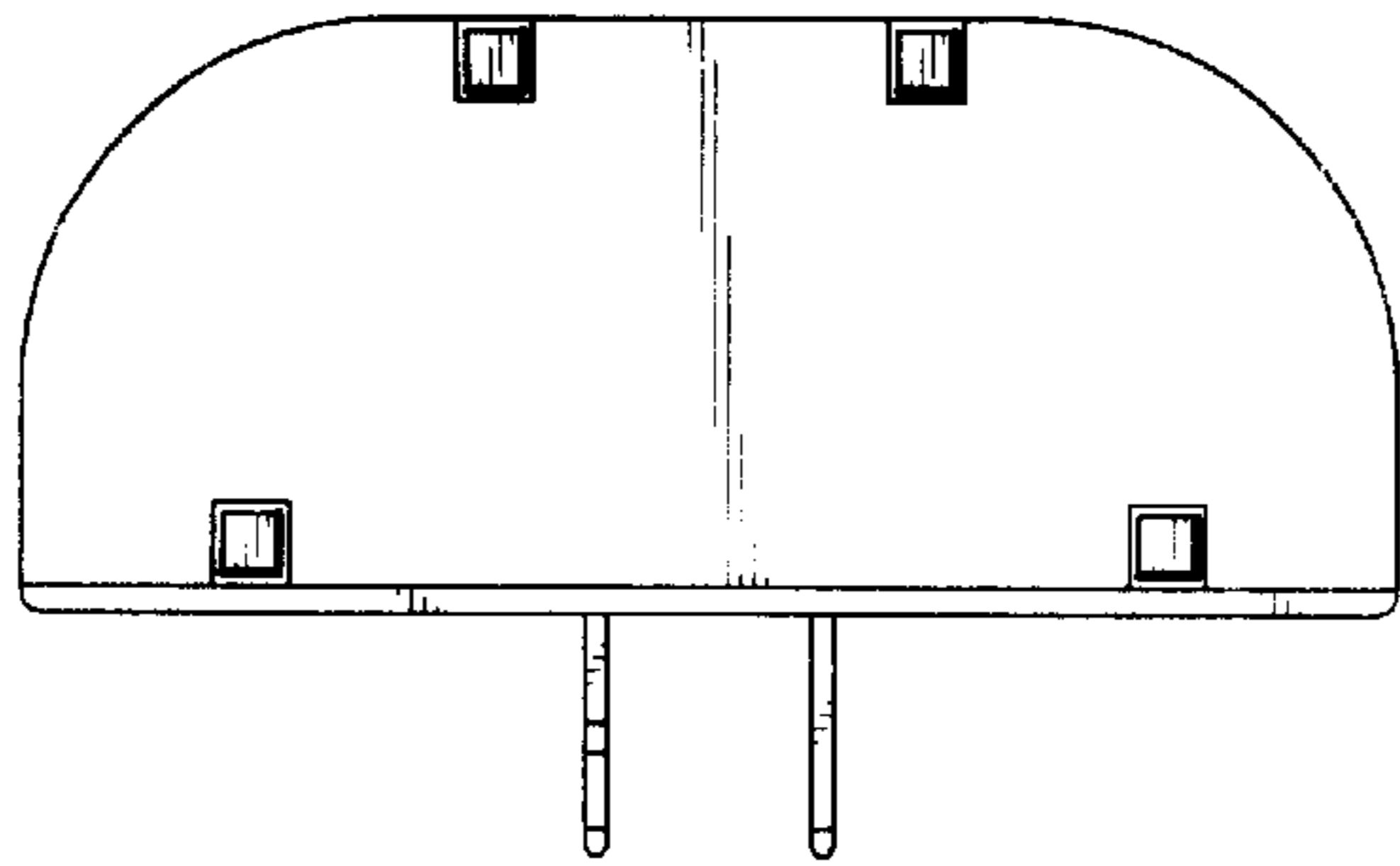


*FIG. 2*

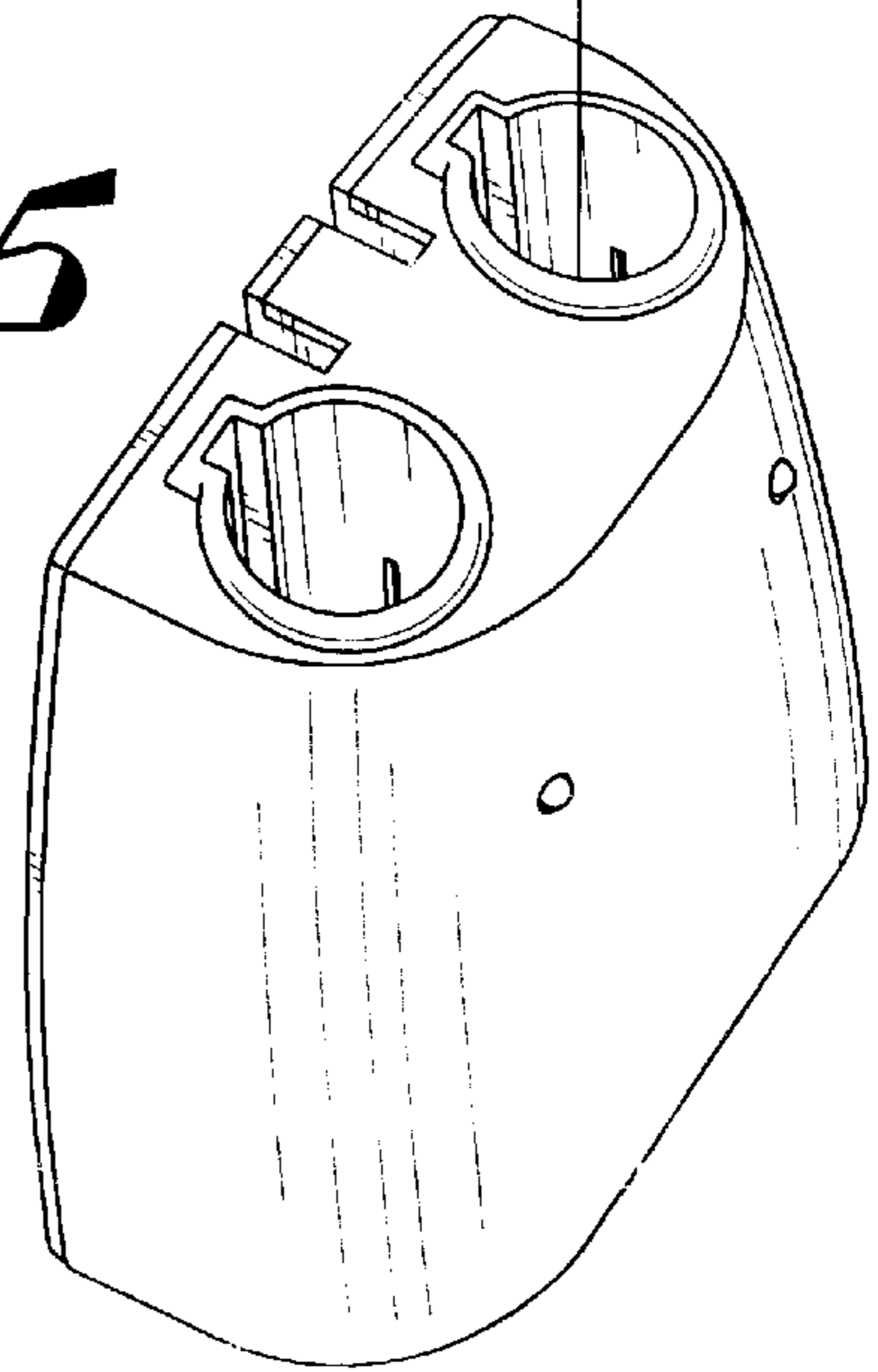


*FIG. 3*

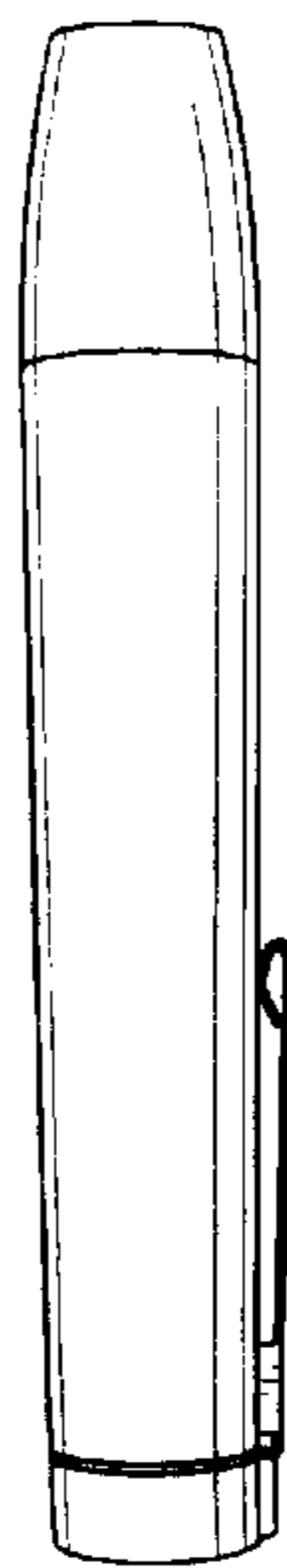
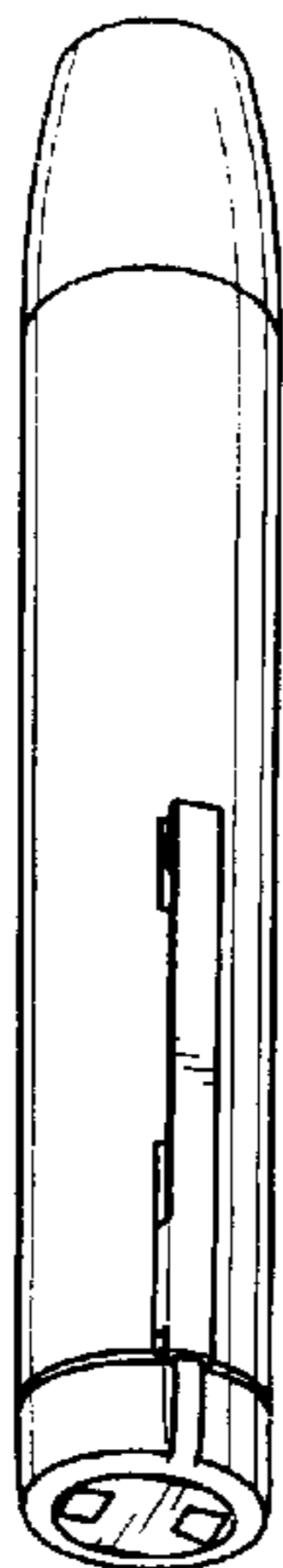
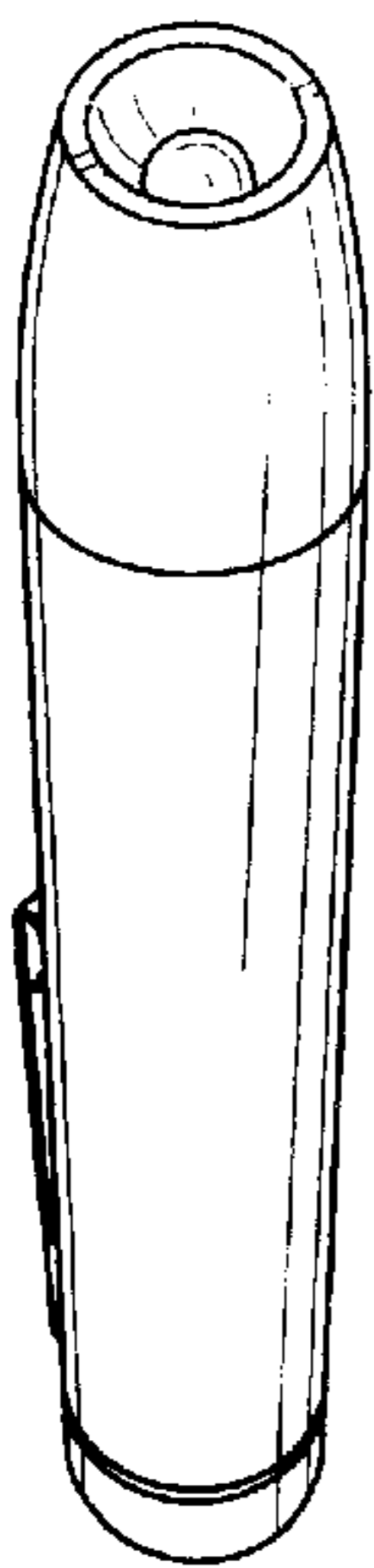
*FIG. 4*



*FIG. 5*

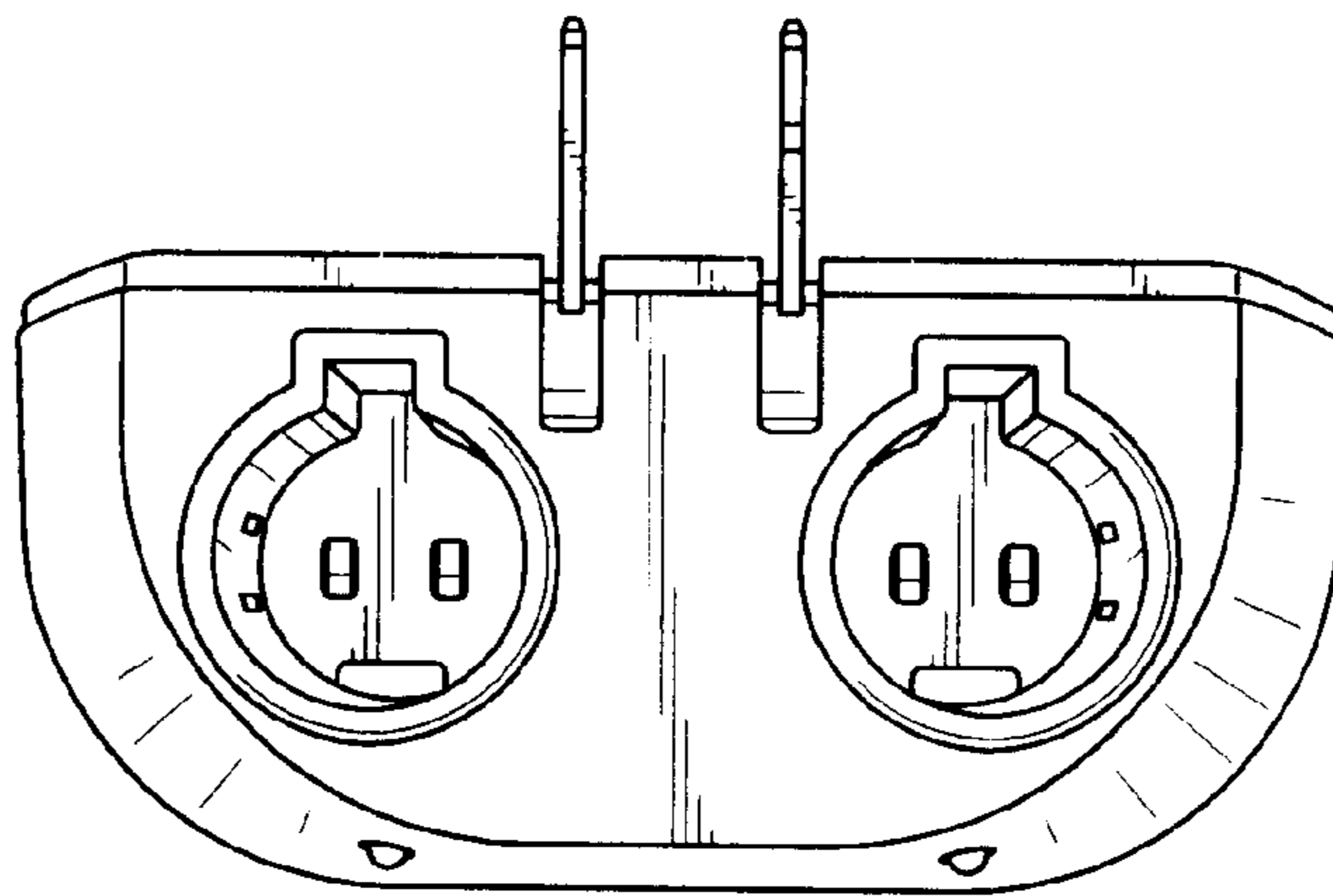
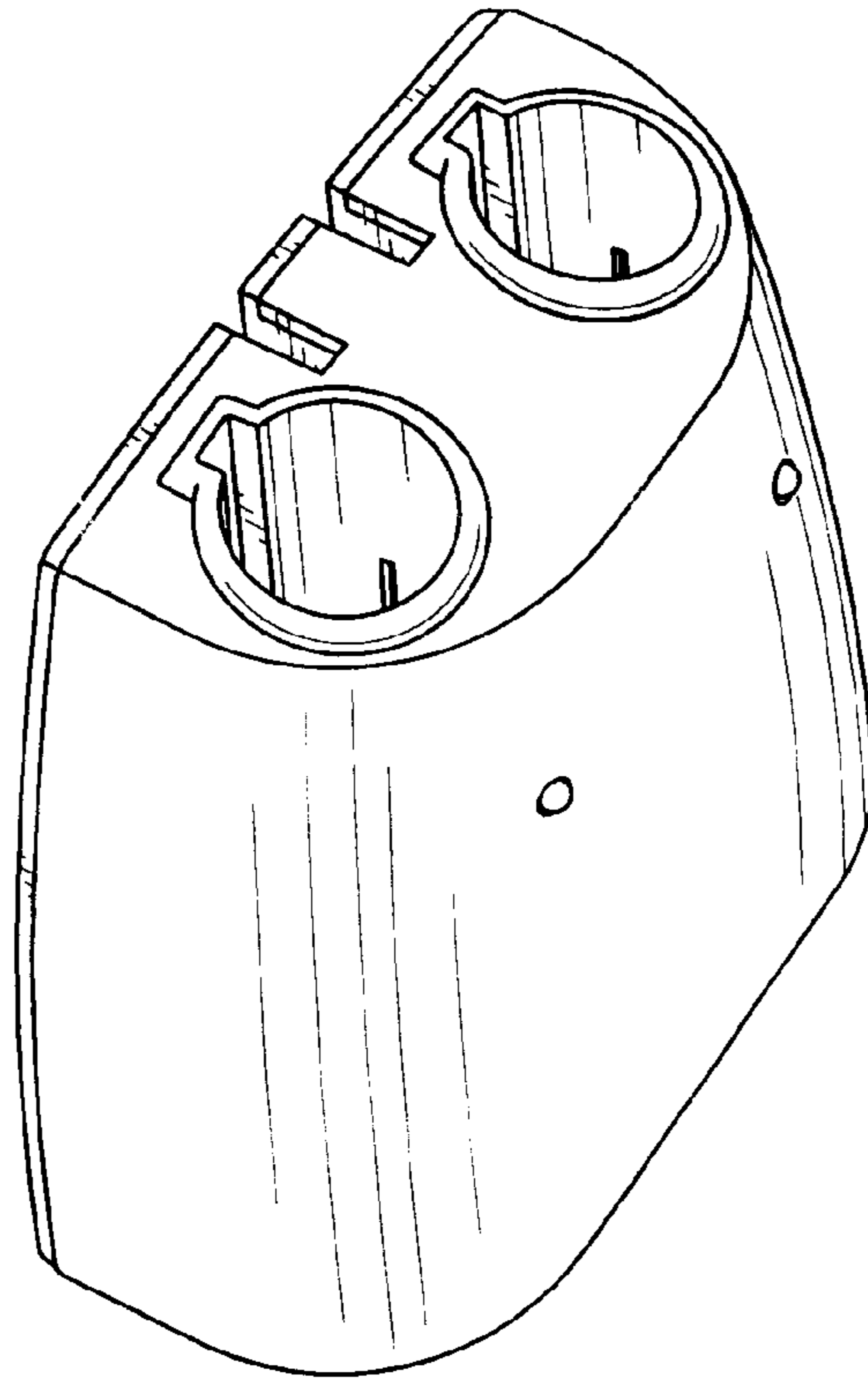


*FIG. 6* *FIG. 7*



*FIG. 8*

*FIG. 9*



*FIG. 10*