



US00D485924S

(12) **United States Design Patent**
Kihara

(10) **Patent No.:** **US D485,924 S**

(45) **Date of Patent:** **** Jan. 27, 2004**

(54) **FLASHLIGHT**

D435,676 S * 12/2000 Squillante et al. D26/37

(75) Inventor: **Takehiko Kihara**, Osaka (JP)

FOREIGN PATENT DOCUMENTS

(73) Assignee: **Matsushita Electric Industrial Co., Ltd.**, Osaka (JP)

JP D1088469 10/2000

(**) Term: **14 Years**

* cited by examiner

(21) Appl. No.: **29/183,040**

Primary Examiner—Marcus A. Jackson
(74) *Attorney, Agent, or Firm*—Brinks Hofer Gilson & Lione

(22) Filed: **Jun. 4, 2003**

(57) **CLAIM**

(30) **Foreign Application Priority Data**

The ornamental design for a flashlight, as shown and described.

Dec. 11, 2002 (JP) 2002-034378

DESCRIPTION

(51) **LOC (7) Cl.** **26-02**

FIG. 1 is a top perspective view of a flashlight of the present invention;

(52) **U.S. Cl.** **D26/37**

FIG. 2 is a bottom view thereof;

(58) **Field of Search** D26/37-50; 362/157, 362/158, 171, 172, 173, 183-208

FIG. 3 is a top view thereof;

FIG. 4 is a first side view thereof;

FIG. 5 is a second side view thereof;

FIG. 6 is a rear view thereof; and,

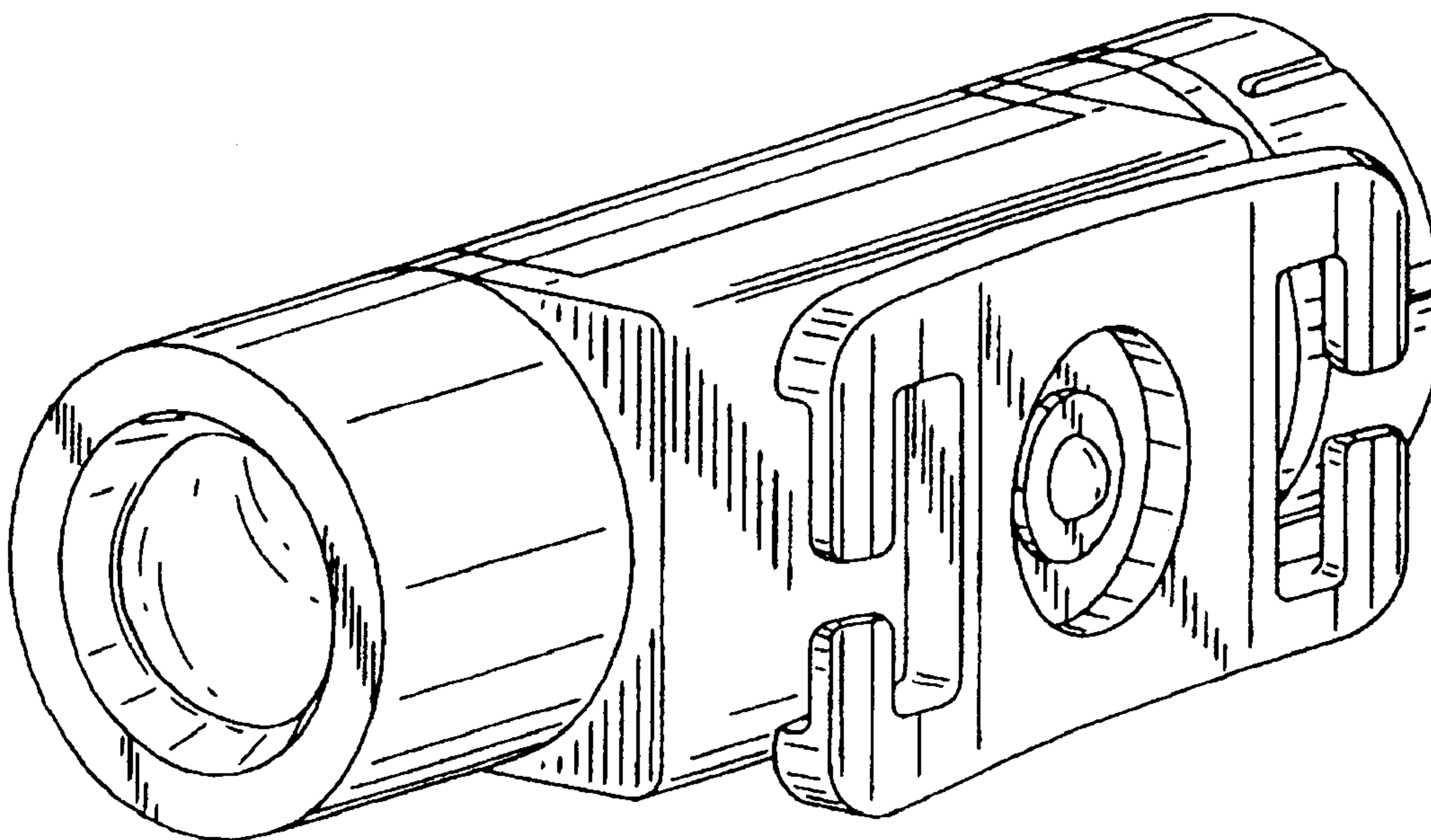
FIG. 7 is a front view thereof.

(56) **References Cited**

U.S. PATENT DOCUMENTS

D376,439 S * 12/1996 Chai D26/37
D385,636 S * 10/1997 Chen D26/37

1 Claim, 5 Drawing Sheets



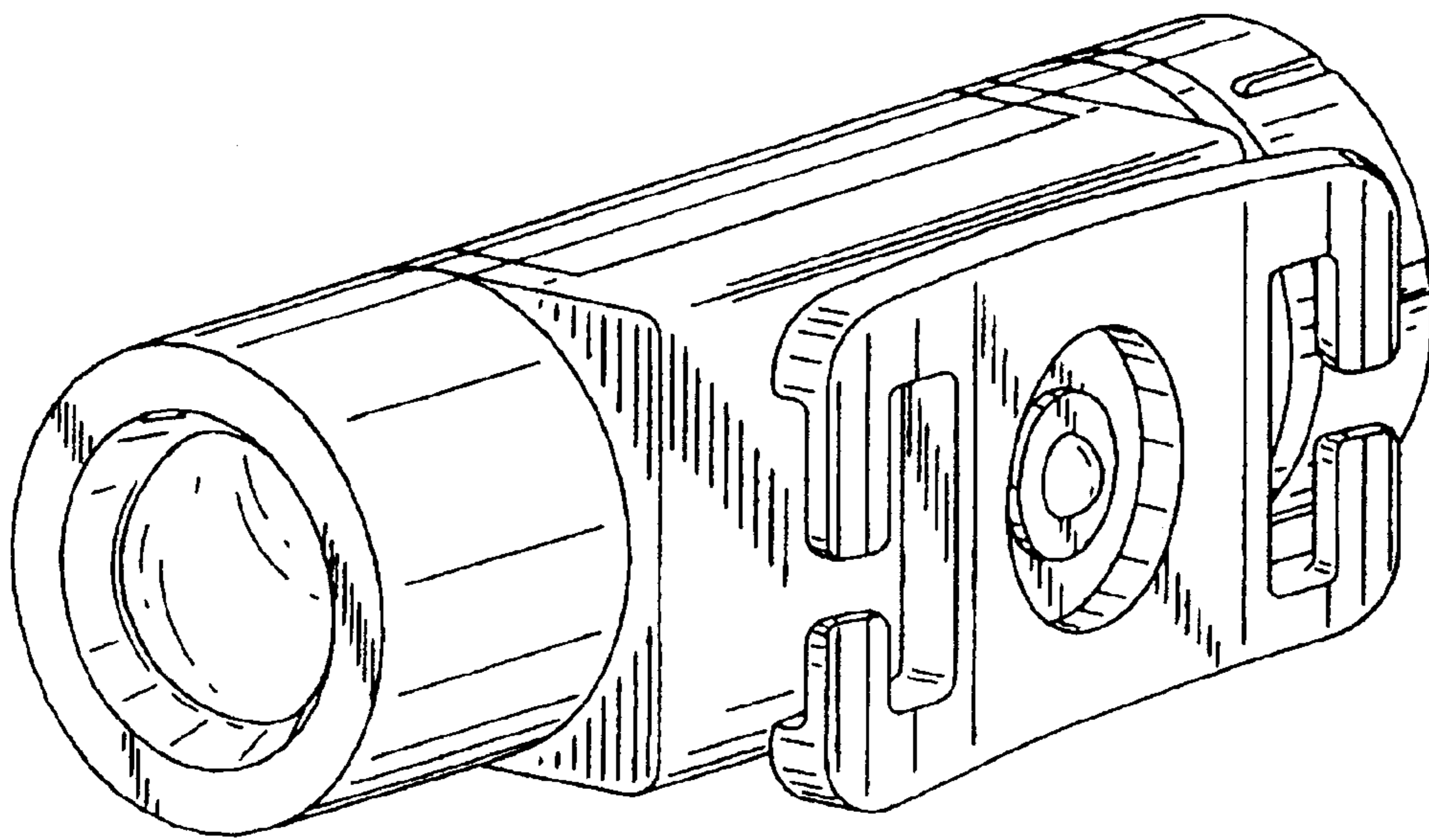


FIG. 1

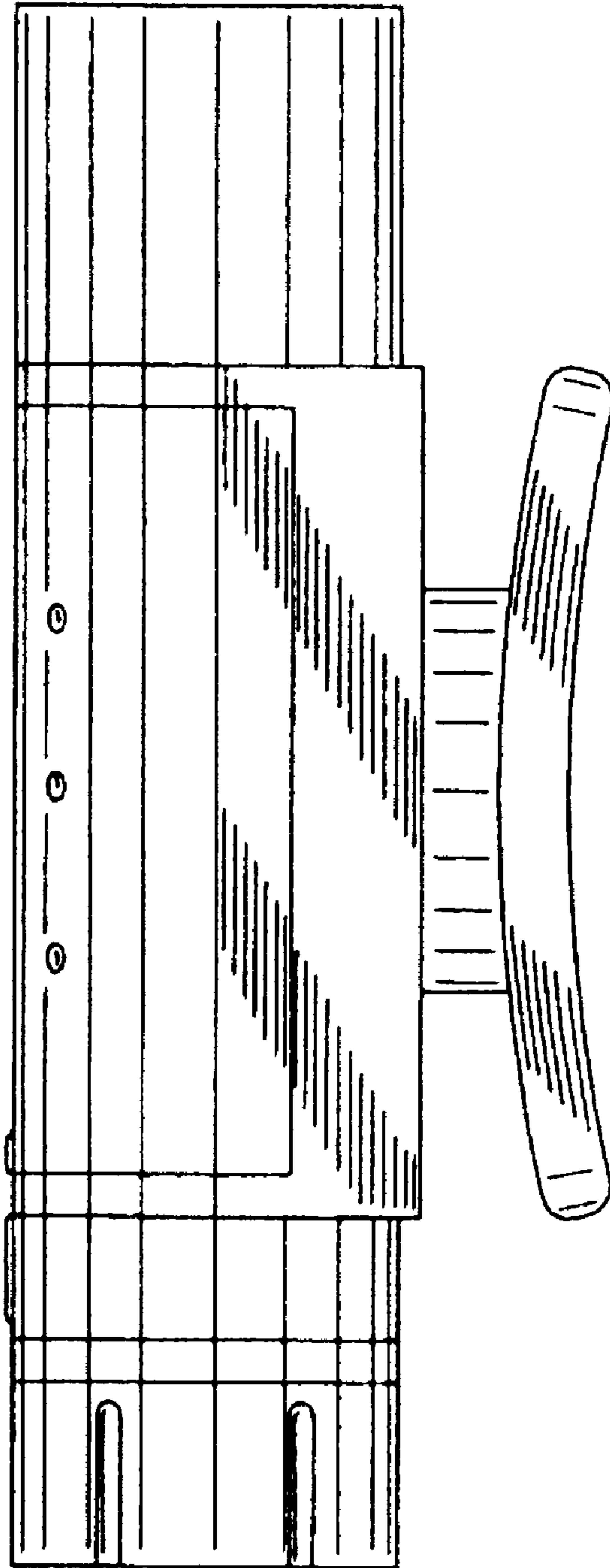


FIG. 2

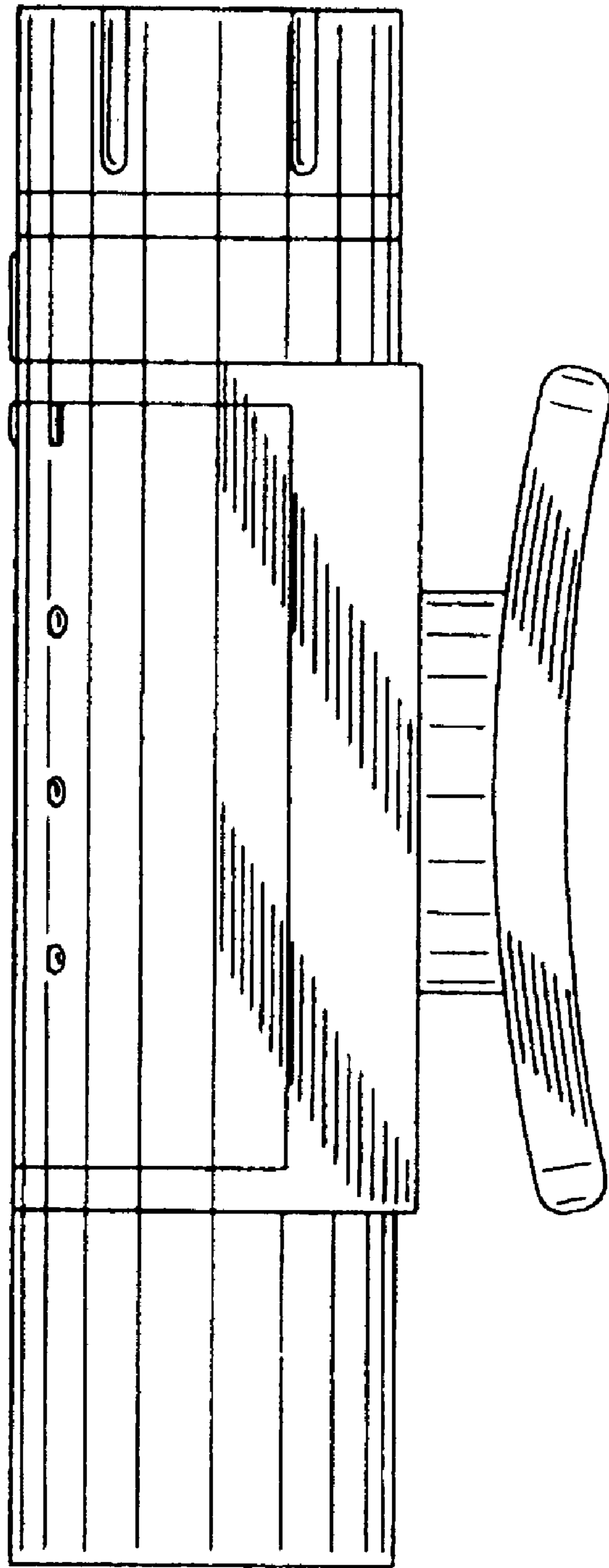


FIG. 3

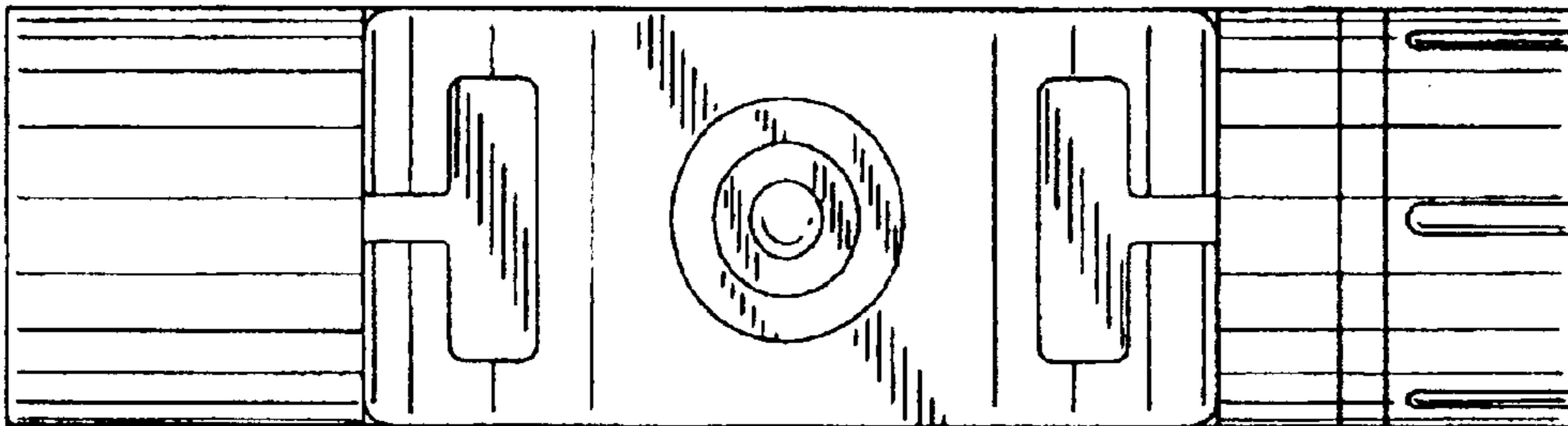


FIG. 4

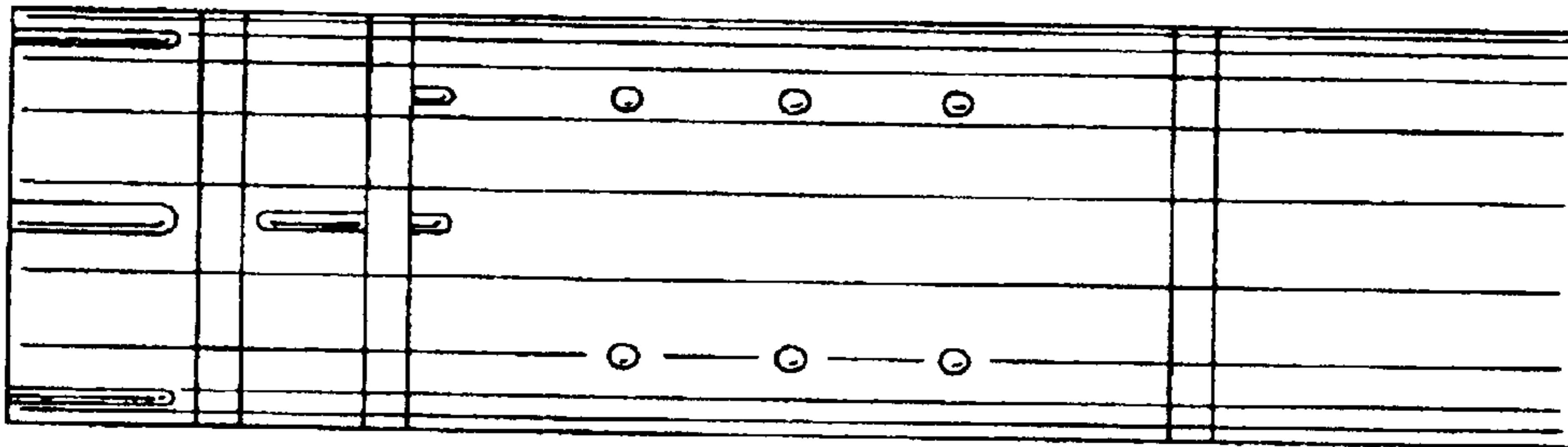


FIG. 5

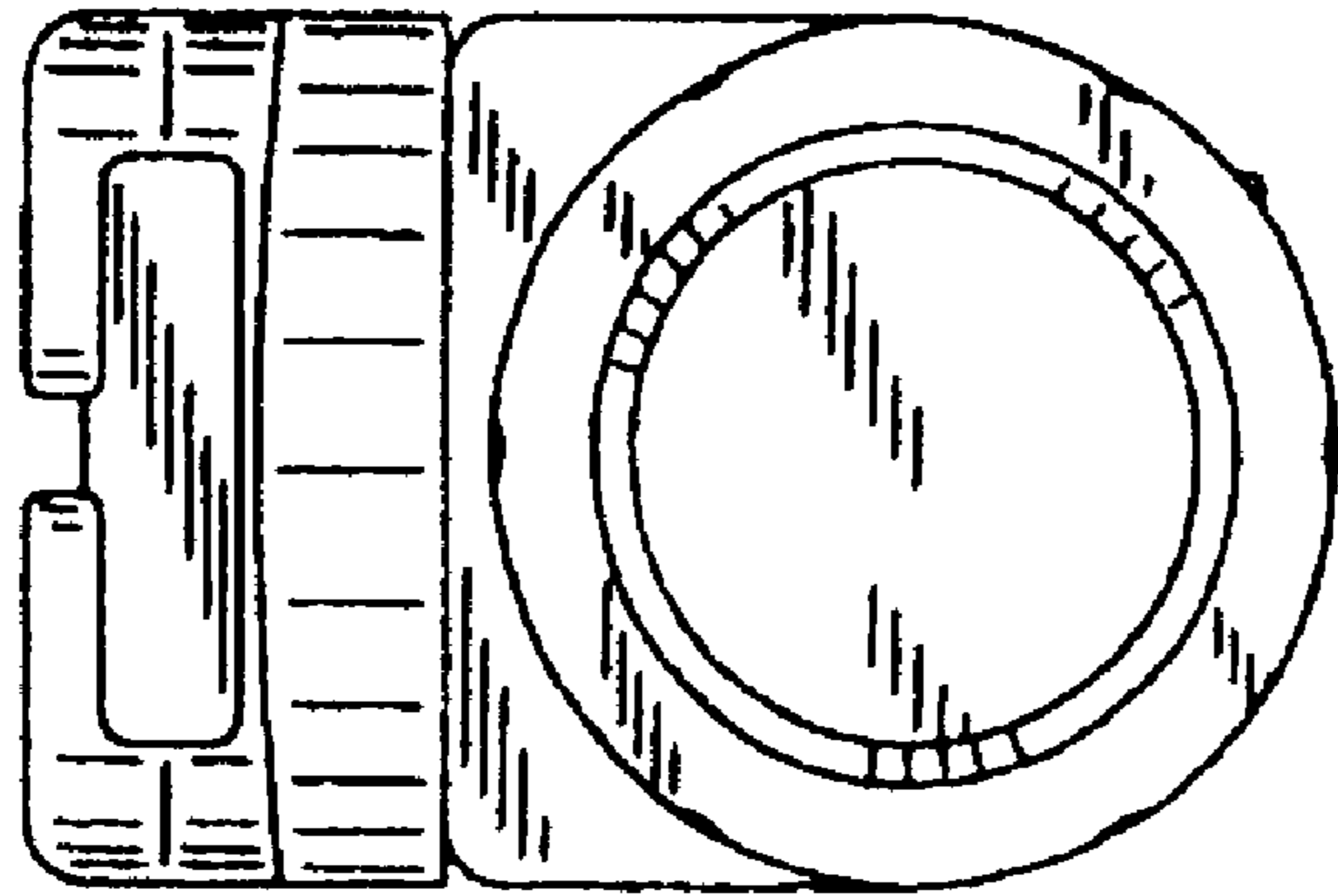


FIG. 6

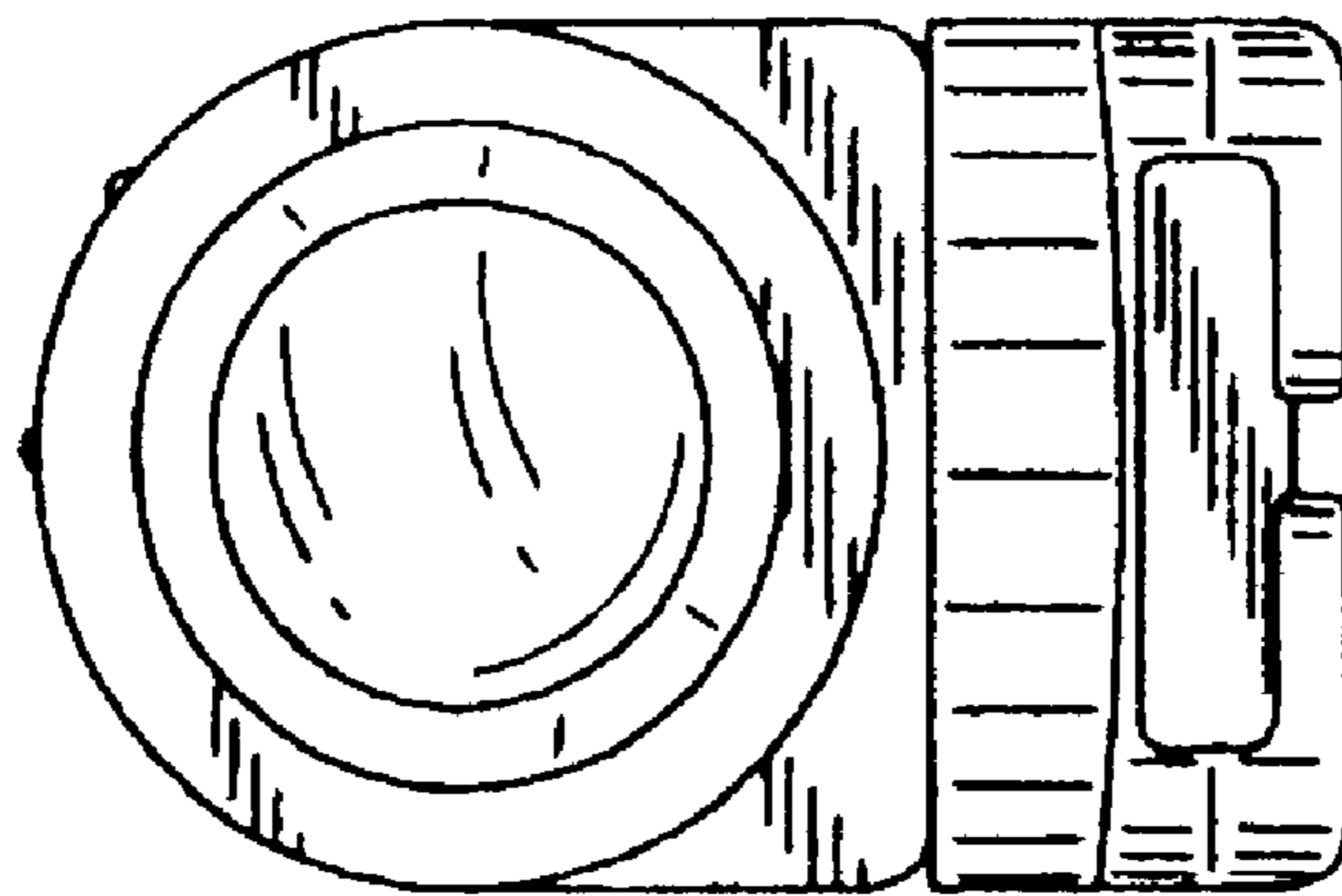


FIG. 7