



US00D485918S

(12) **United States Design Patent**
Itaya et al.

(10) **Patent No.:** **US D485,918 S**

(45) **Date of Patent:** **** Jan. 27, 2004**

(54) **PART OF FLUORESCENT LAMP**

D476,426 S * 6/2003 Katase D26/3

(75) Inventors: **Kenji Itaya**, Osaka (JP); **Koichi Katase**, Osaka (JP)

* cited by examiner

(73) Assignee: **Matsushita Electric Industrial Co., Ltd.**, Osaka (JP)

Primary Examiner—Marcus A. Jackson
(74) *Attorney, Agent, or Firm*—Christensen O'Connor Johnson Kindness PLLC

(**) Term: **14 Years**

(57) **CLAIM**

(21) Appl. No.: **29/165,247**

The ornamental design for a part of fluorescent lamp, as shown and described.

(22) Filed: **Aug. 6, 2002**

DESCRIPTION

(30) **Foreign Application Priority Data**

Feb. 7, 2002 (JP) 2002-002935

FIG. 1 is a perspective view of the front and bottom of a part of fluorescent lamp showing our new design;
FIG. 2 is a front view thereof, the rear view being identical;
FIG. 3 is a right side view thereof, the left side view being identical;
FIG. 4 is a top plan view thereof;
FIG. 5 is a bottom view thereof; and,
FIG. 6 is a cross sectional reference view of the usage thereof.

(51) **LOC (7) Cl.** **26-06**

(52) **U.S. Cl.** **D26/3**

(58) **Field of Search** D26/1, 2, 3; 313/313, 313/315, 317, 318, 491, 493; 315/56, 57, 58, 73

(56) **References Cited**

The elements shown in phantom lines do not form any part of the claimed design.

U.S. PATENT DOCUMENTS

D448,096 S * 9/2001 Choi D26/3

1 Claim, 4 Drawing Sheets

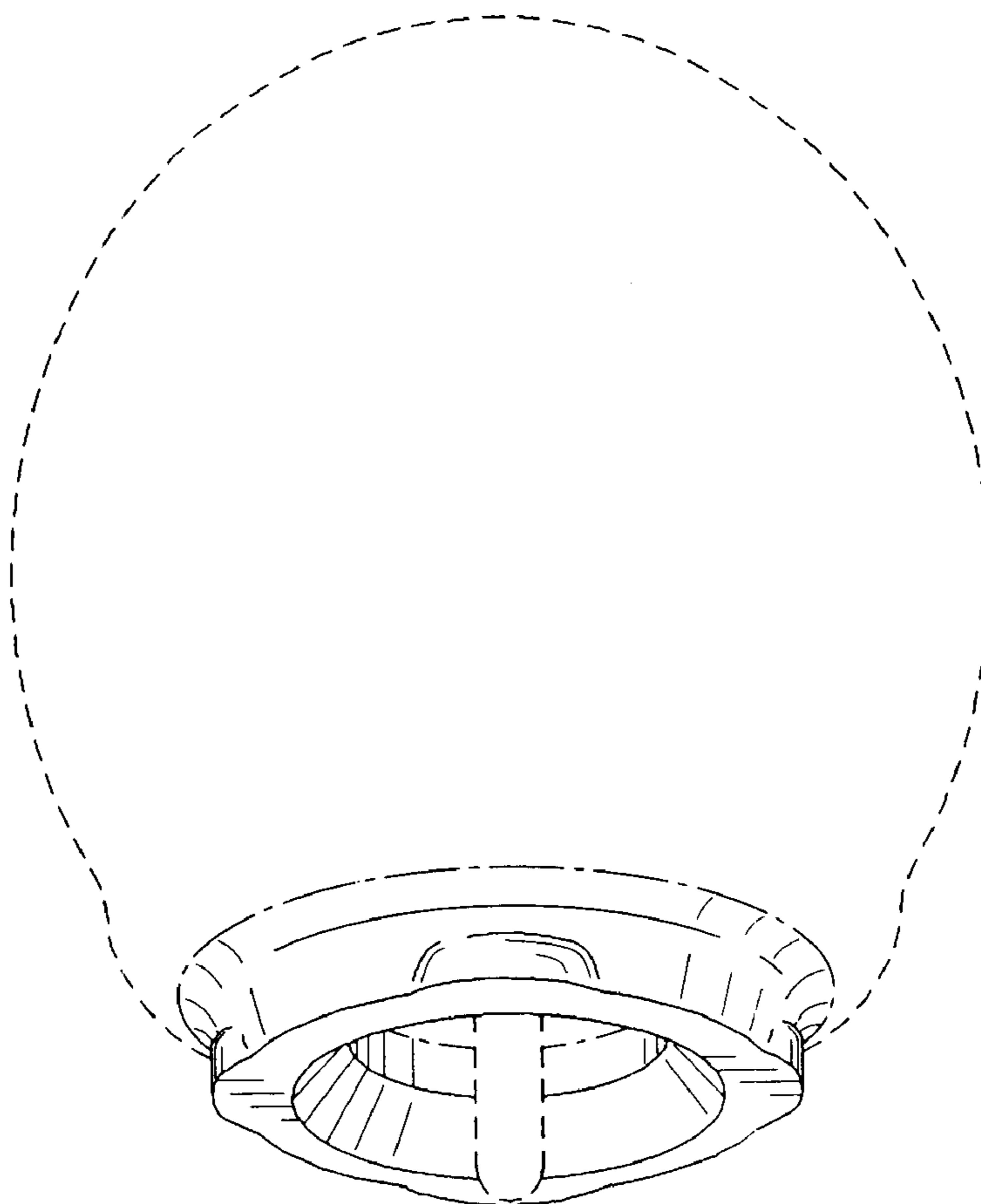


FIG. 1

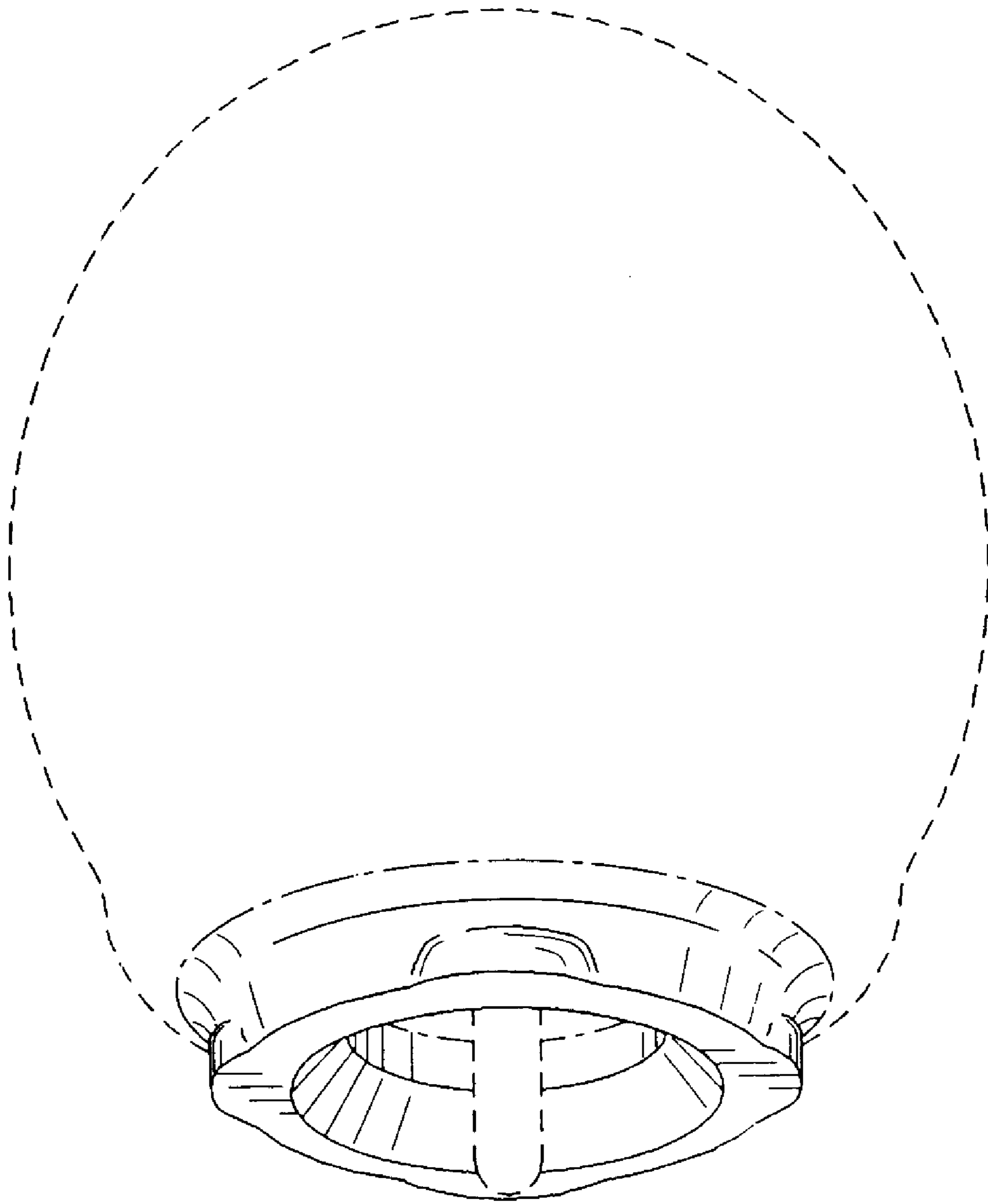


FIG. 2

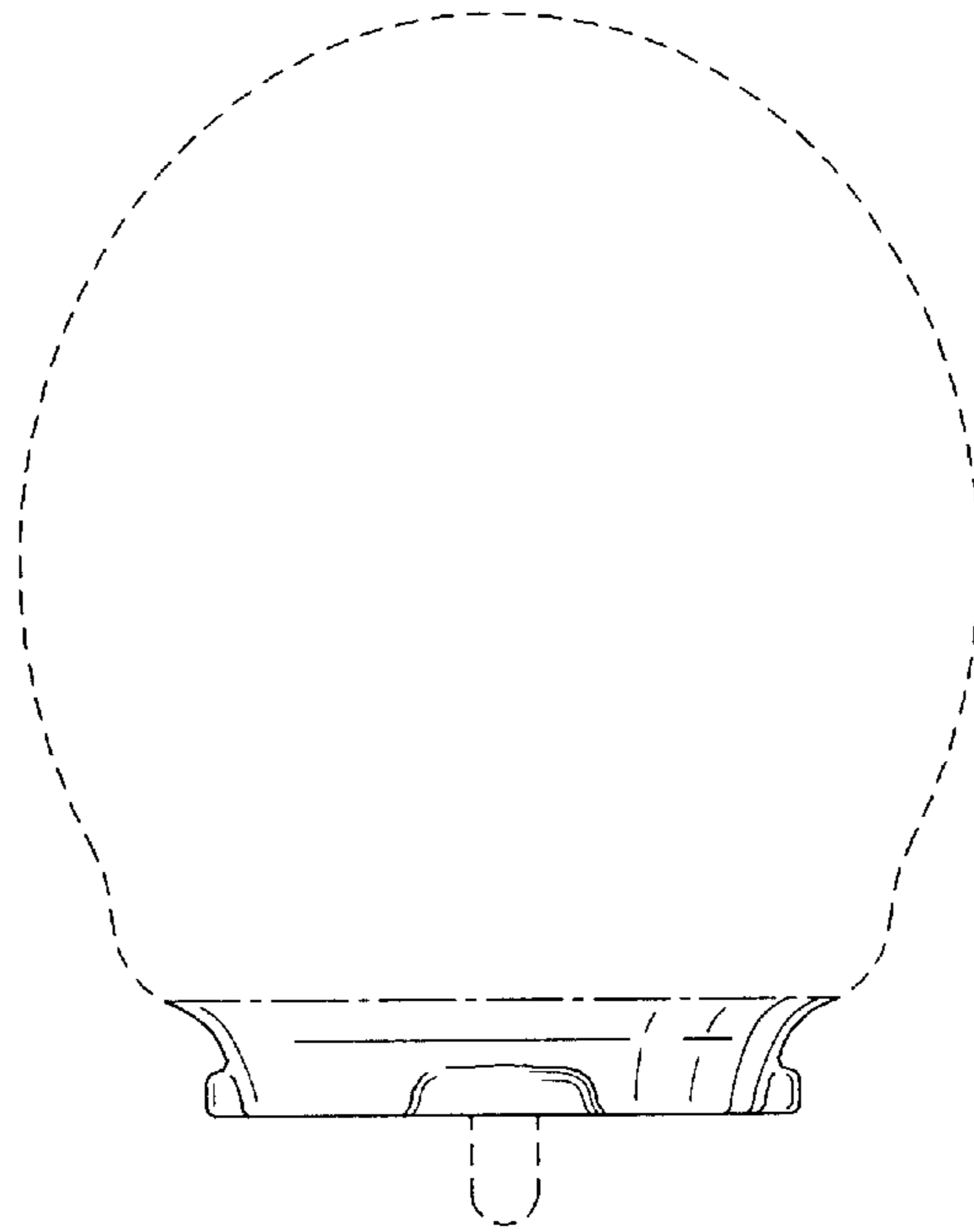


FIG. 3

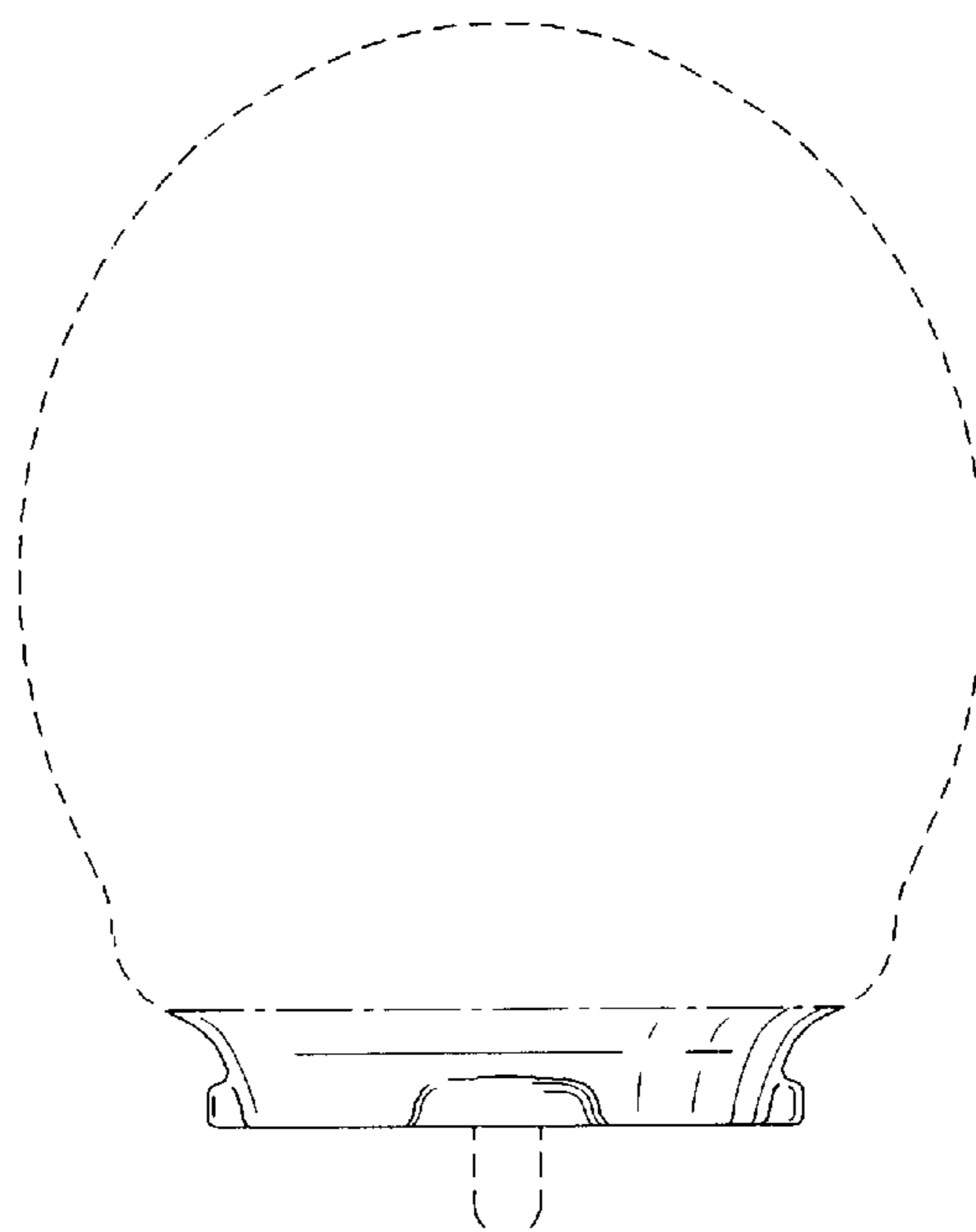


FIG. 4

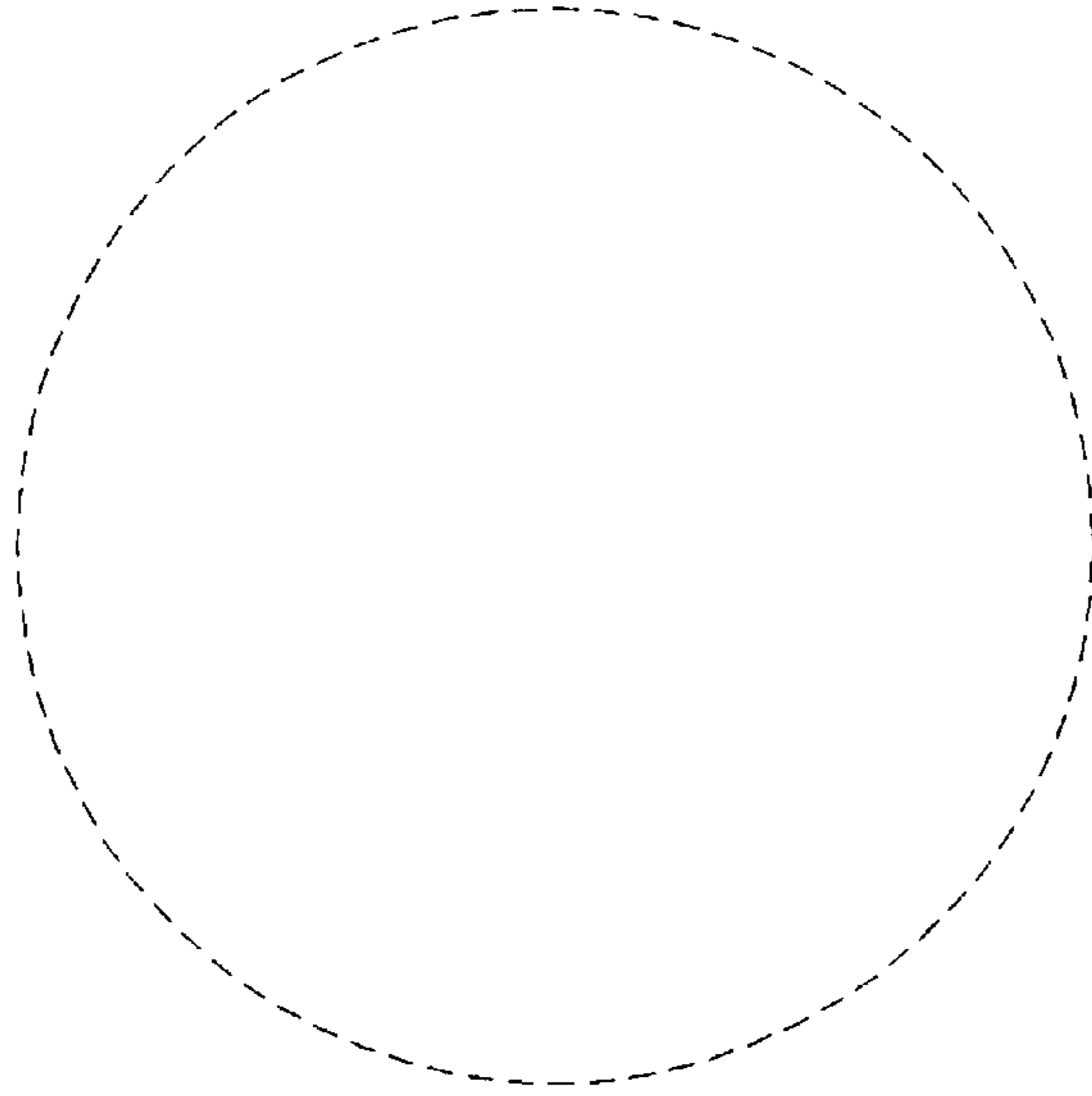


FIG. 5

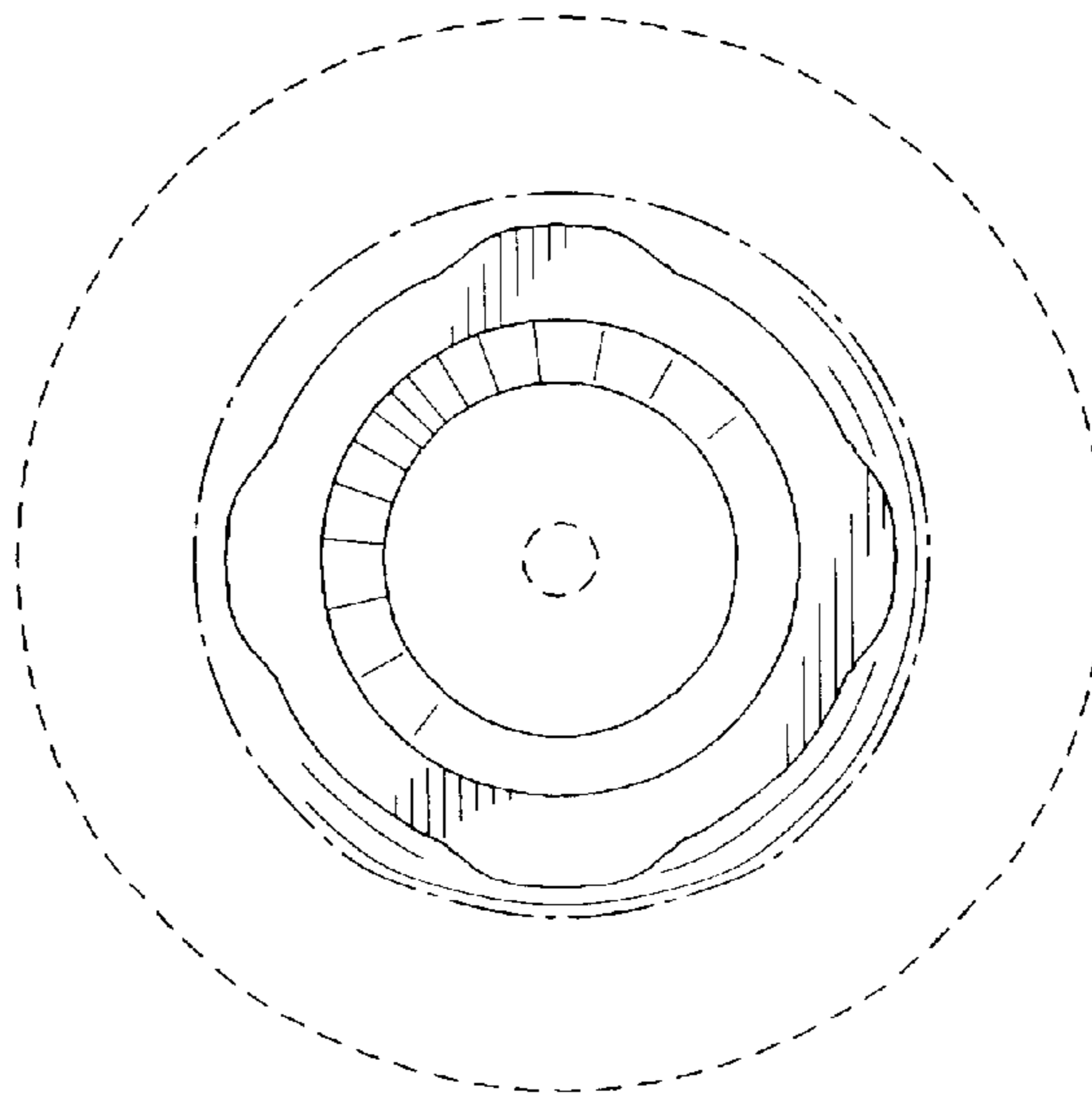
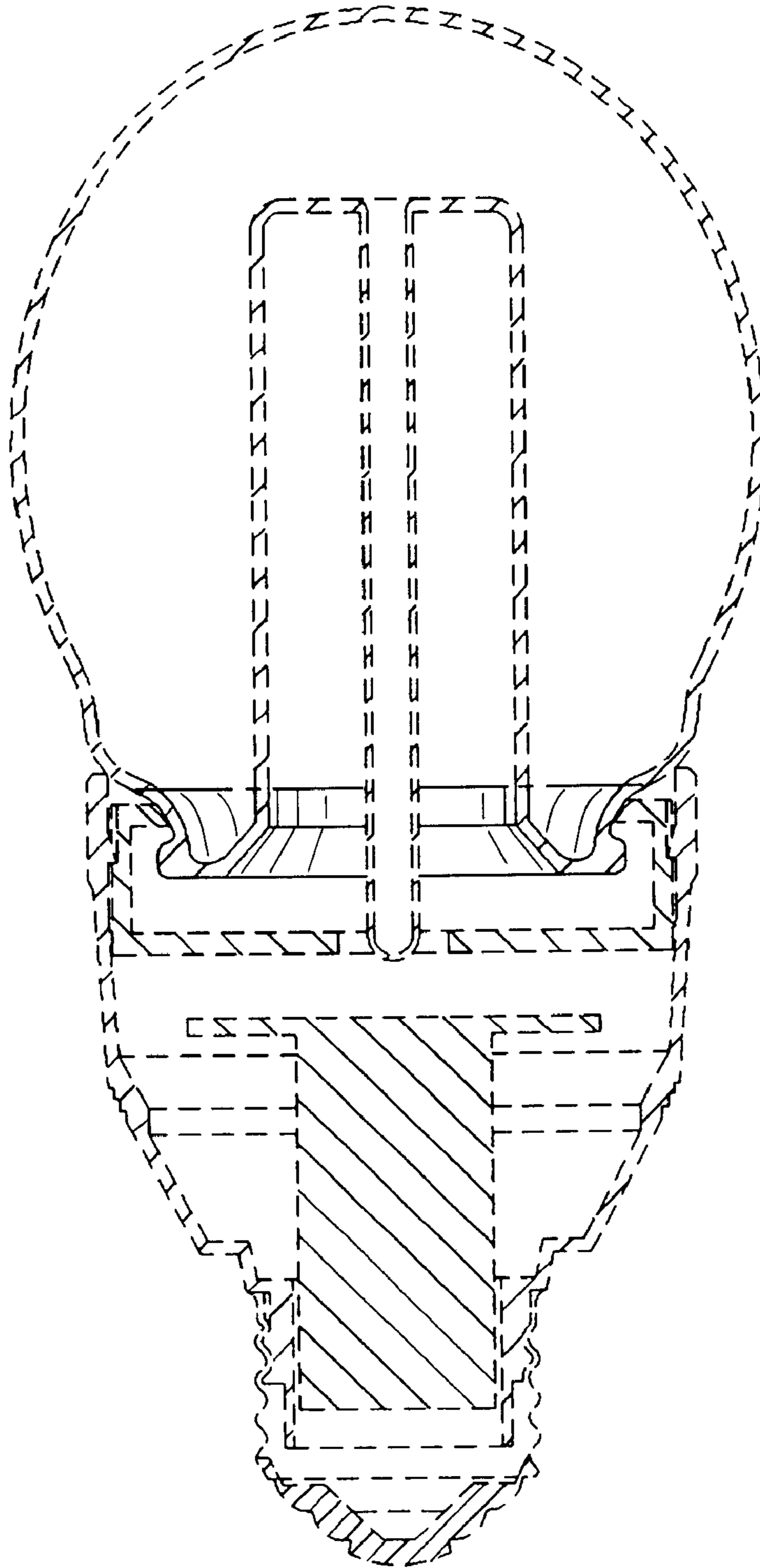


FIG. 6



UNITED STATES PATENT AND TRADEMARK OFFICE
CERTIFICATE OF CORRECTION

PATENT NO. : Des. 485,918 S
DATED : January 27, 2004
INVENTOR(S) : K. Itaya et al.

Page 1 of 1

It is certified that error appears in the above-identified patent and that said Letters Patent is hereby corrected as shown below:

Title page,

Item [56], **References Cited**, U.S. PATENT DOCUMENTS, insert in appropriate order:

-- 5,959,405 9/1999 Soules et al. --

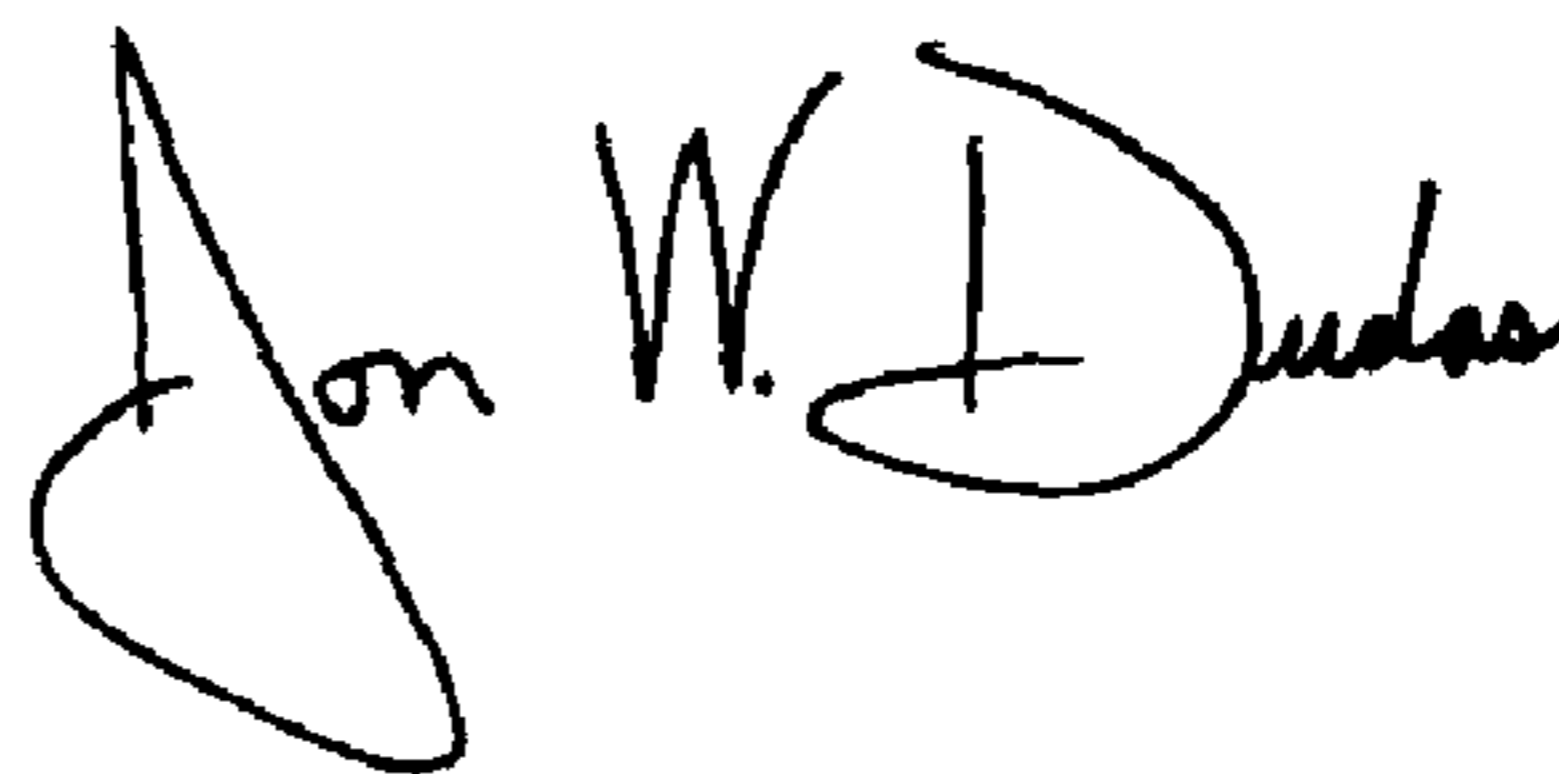
FOREIGN PATENT DOCUMENTS, insert in appropriate order:

-- FOREIGN PATENT DOCUMENTS

JP Hei9-320541 12/1997 --

Signed and Sealed this

Twenty-fifth Day of May, 2004



JON W. DUDAS

Acting Director of the United States Patent and Trademark Office