



US00D485916S

(12) **United States Design Patent**
Park

(10) **Patent No.:** **US D485,916 S**

(45) **Date of Patent:** **** Jan. 27, 2004**

(54) **TWO PART DOOR FRAME COVER**

(76) Inventor: **Dong Sub Park**, 604-2402 Joonghung
APT, 1054 Joong 3-dong, Wonmi-gu,
Puchon-shi, Kyonggi-do (KR), 420-023

(**) Term: **14 Years**

(21) Appl. No.: **29/113,293**

(22) Filed: **Nov. 3, 1999**

(30) **Foreign Application Priority Data**

Feb. 11, 1999 (KR) 99-2516

(51) **LOC (7) Cl.** **25-01**

(52) **U.S. Cl.** **D25/119; D25/55**

(58) **Field of Search** D25/136, 69, 48,
D25/119, 55; 49/504, 383; 52/204.1, 717,
211

(56) **References Cited**

U.S. PATENT DOCUMENTS

D404,834 S * 1/1999 Illadis D25/55

* cited by examiner

Primary Examiner—Doris Clark

(74) *Attorney, Agent, or Firm*—Robert Halper

(57) **CLAIM**

The ornamental design of a two part door frame cover, as shown and described.

DESCRIPTION

FIG. 1 is a perspective view of my two part door frame cover showing my design. The cover is broken in the center to disclose indefinite length.

FIG. 2 is a partial enlarged view of the two part door frame cover in FIG. 1.

FIG. 3 is a top plan view thereof;

FIG. 4 is a bottom plan view thereof; and,

FIG. 5 is an end view thereof, the broken lines showing a door and a door frame are for illustrative purposes only and form no part of the claimed design.

1 Claim, 2 Drawing Sheets

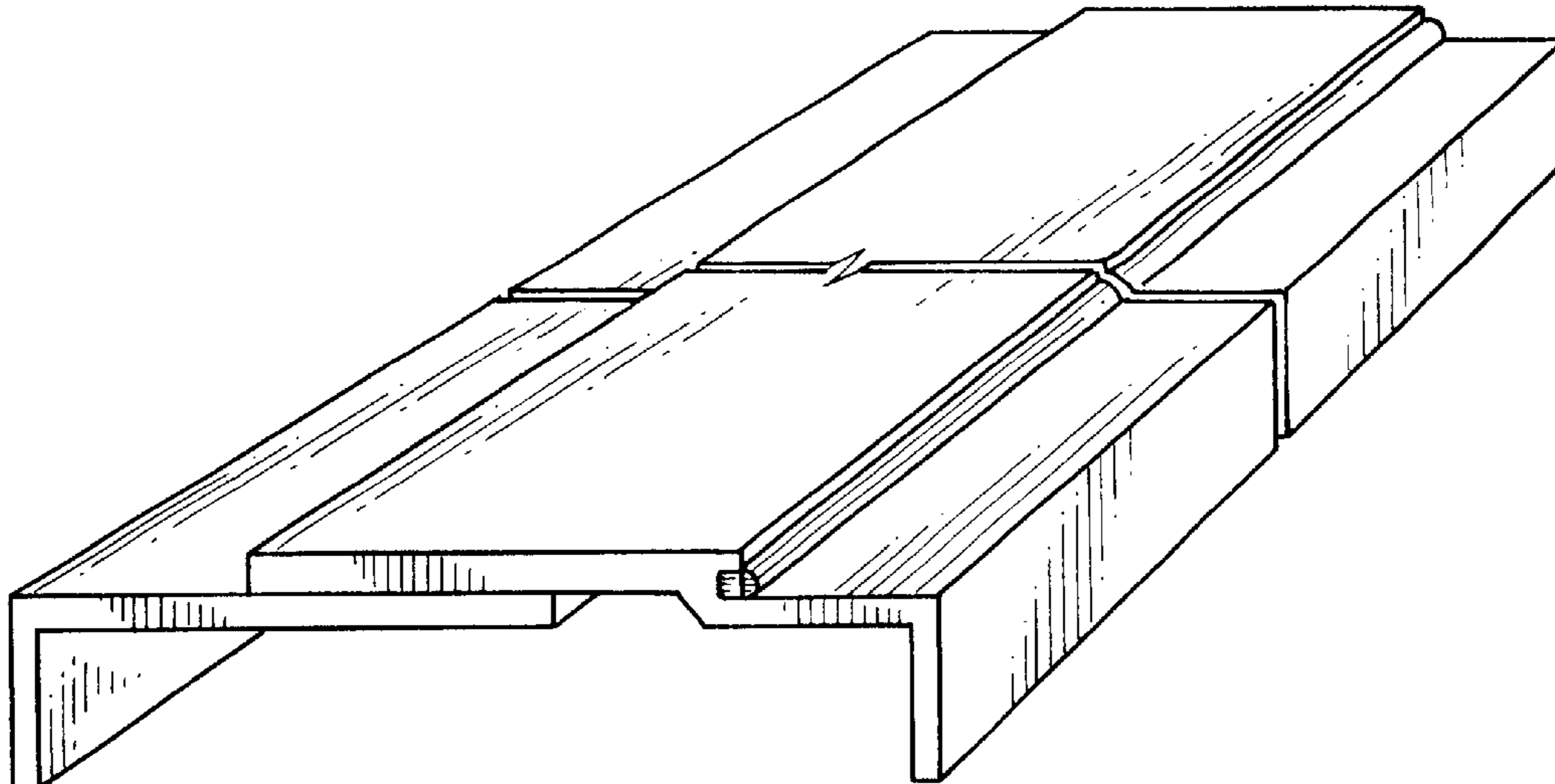


FIG. 1

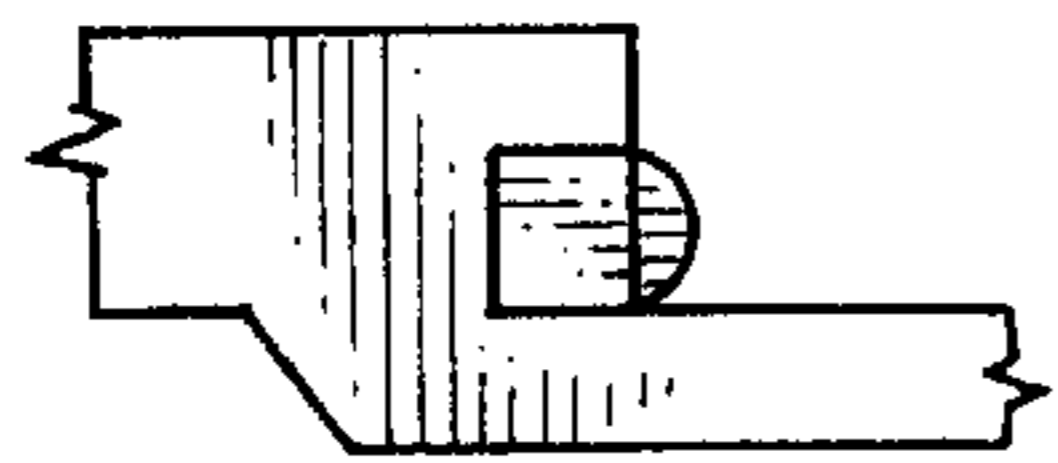
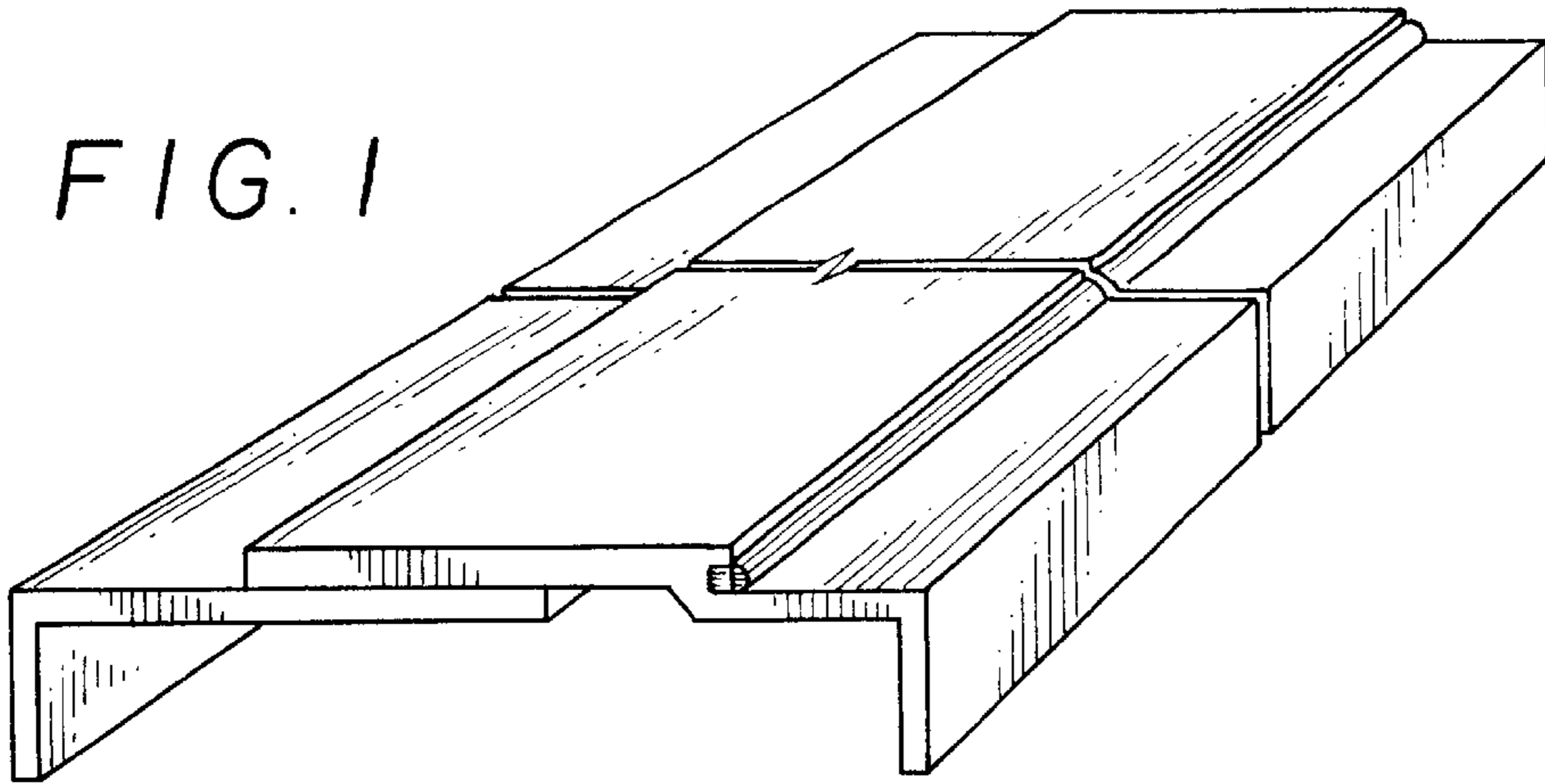


FIG. 2

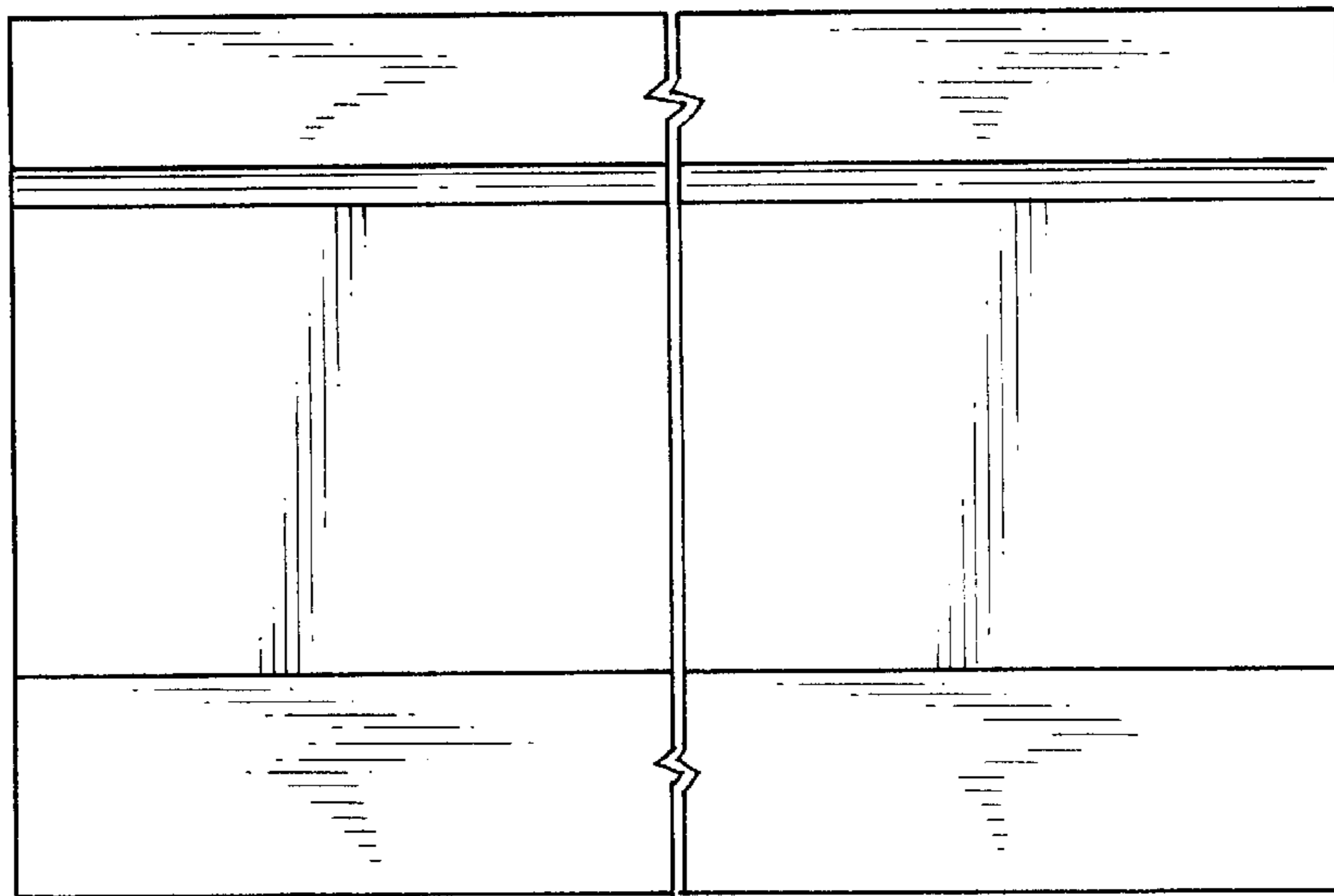


FIG. 3

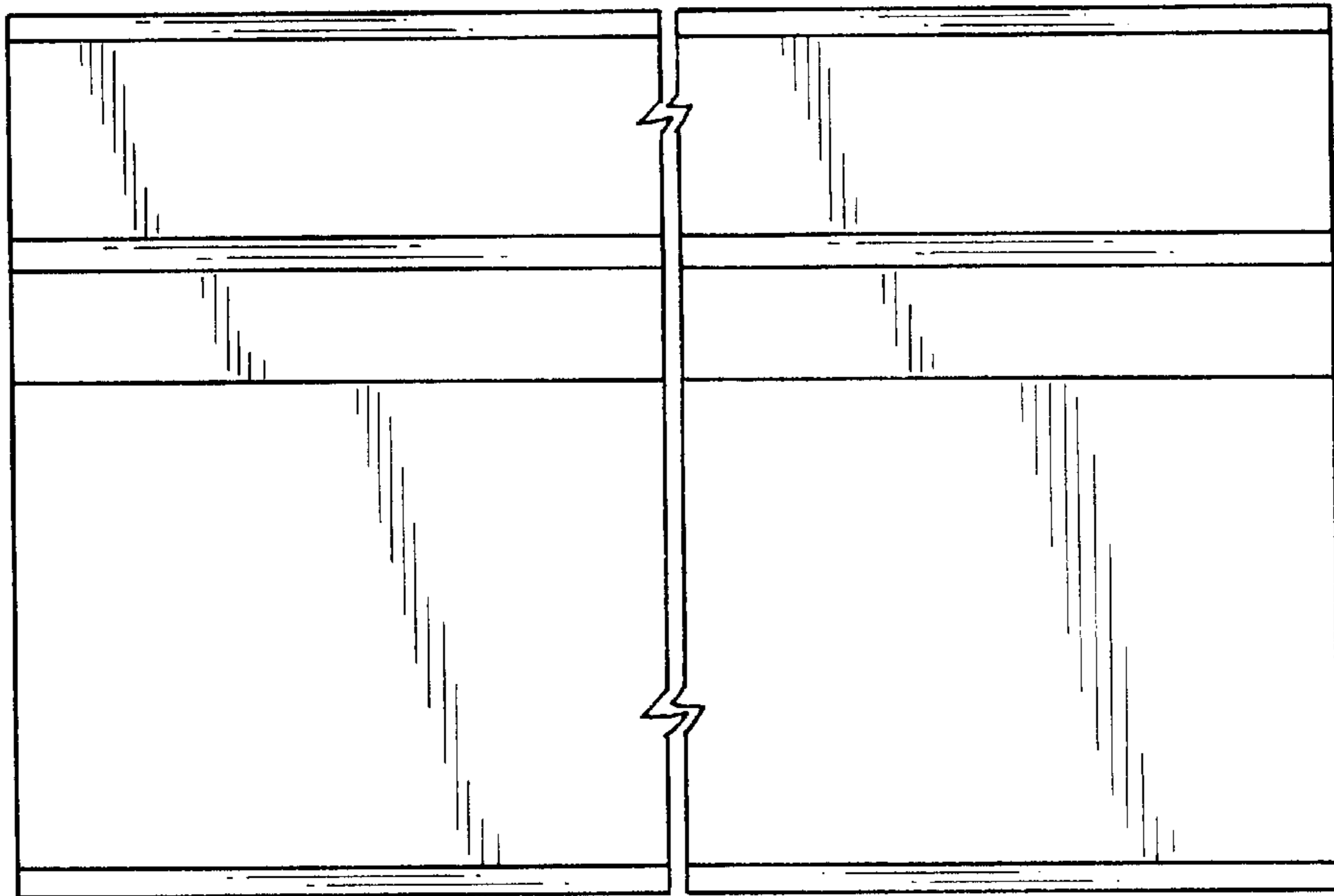


FIG. 4

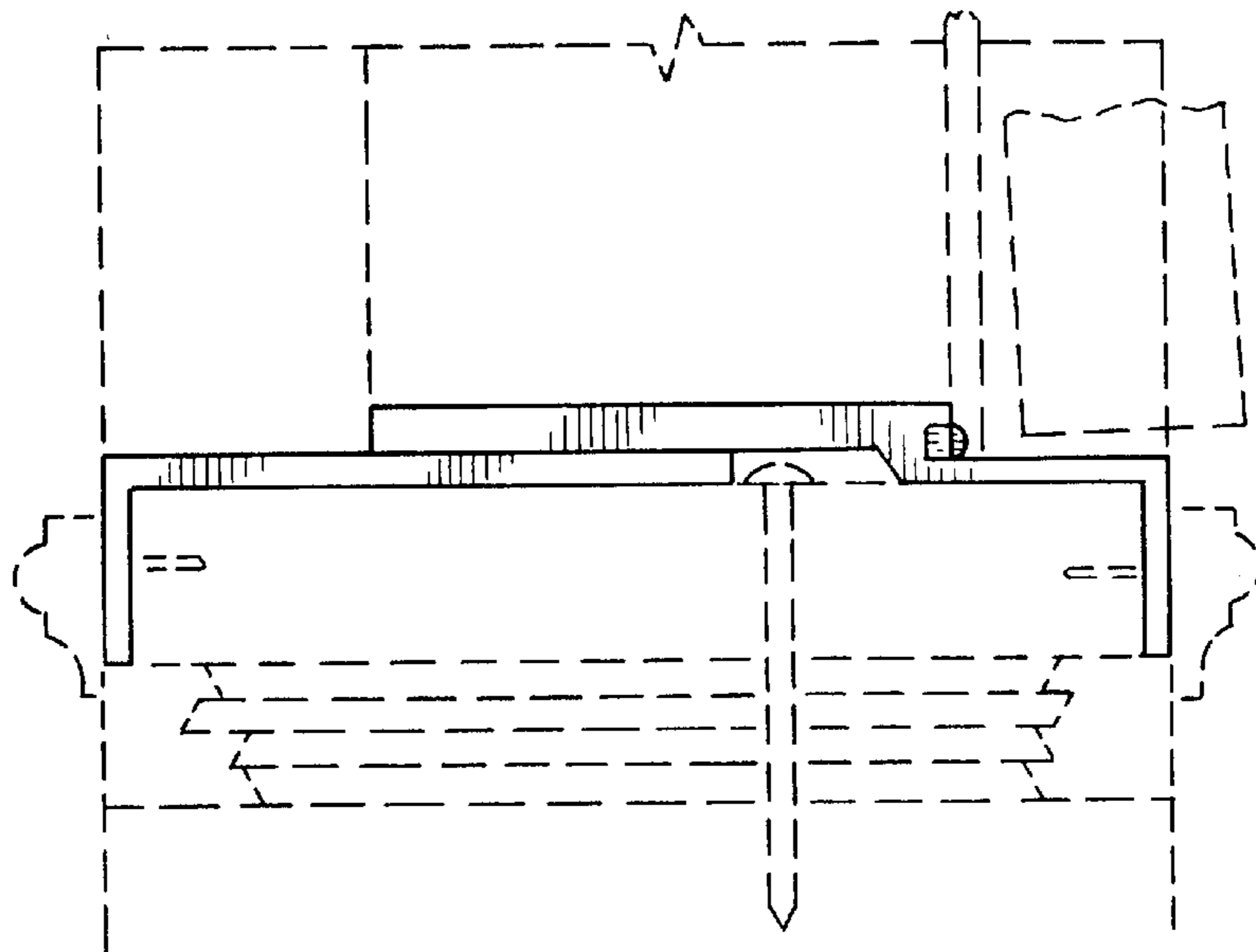


FIG. 5