



US00D485915S

(12) **United States Design Patent**
Robbins et al.

(10) **Patent No.:** **US D485,915 S**

(45) **Date of Patent:** **** Jan. 27, 2004**

(54) **SPA STEP**

(75) Inventors: **Alan E. Robbins**, Chippewa Lake, OH (US); **Daniel J. Christopherson**, Aguanga, CA (US)

(73) Assignee: **The Plastic Lumber Company, Inc.**, Akron, OH (US)

(**) Term: **14 Years**

(21) Appl. No.: **29/171,695**

(22) Filed: **Nov. 27, 2002**

(51) **LOC (7) Cl.** **25-04**

(52) **U.S. Cl.** **D25/65**

(58) **Field of Search** D25/65, 63, 62;
52/182, 190, 188; 4/506

(56) **References Cited**

U.S. PATENT DOCUMENTS

D181,560 S * 11/1957 Varnado, Sr. D25/65

* cited by examiner

Primary Examiner—Doris Clark

(74) *Attorney, Agent, or Firm*—Hahn, Loeser & Parks LLP

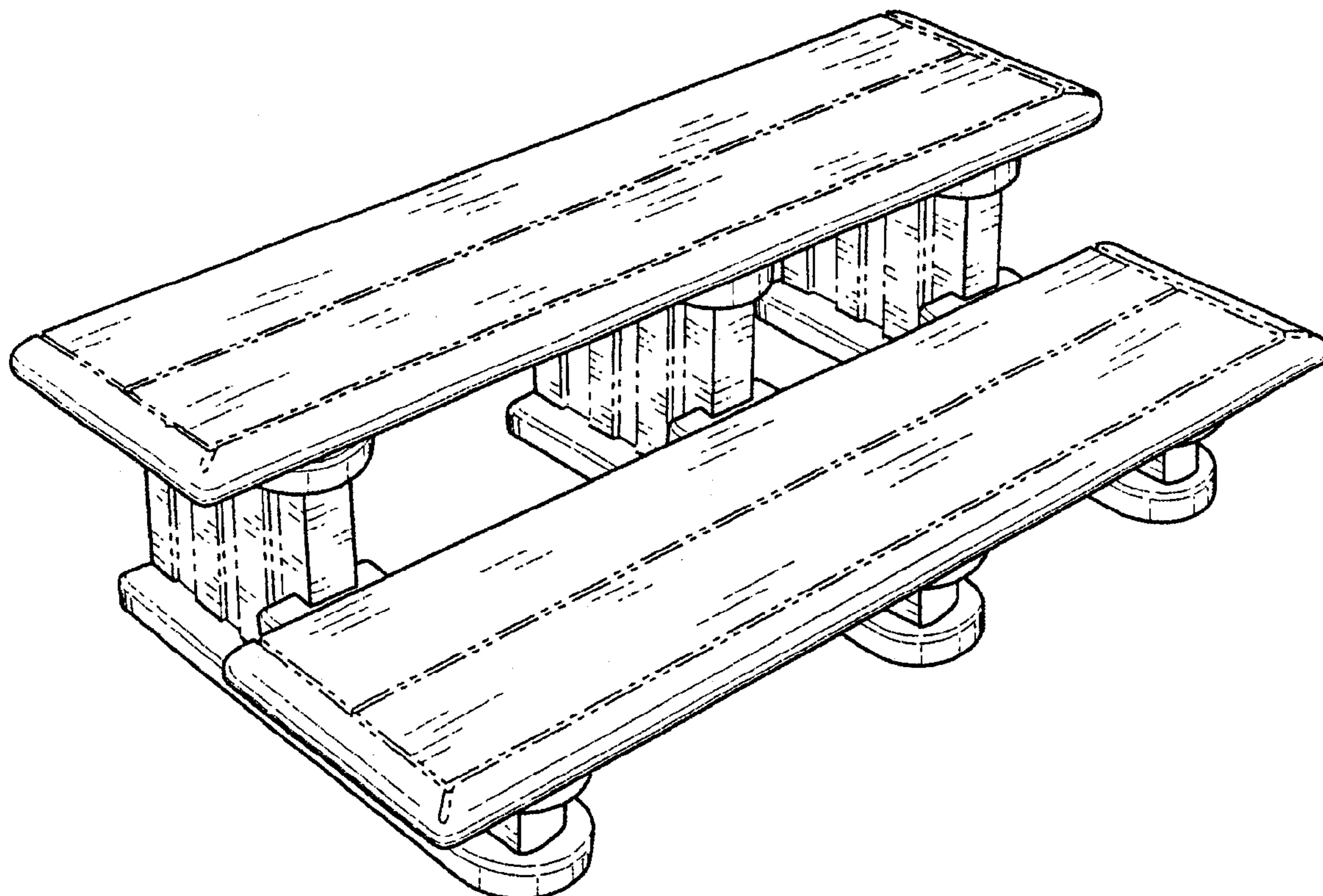
(57) **CLAIM**

The ornamental design for a spa step, as shown and described.

DESCRIPTION

FIG. 1 is a perspective view of applicants' spa step; FIG. 2 is a side elevation view of the spa step as shown in FIG. 1, the opposite side view being a mirror image thereof; FIG. 3 is a top plan view of the spa step shown in FIG. 1; FIG. 4 is a front elevation view of the spa step shown in FIG. 1; FIG. 5 is a perspective view of the step support of the applicant's spa step; and, FIG. 6 is a side elevation view of the step support of the applicant's spa step. The broken line disclosure is for illustrative purposes only and forms no part of the claimed design.

1 Claim, 3 Drawing Sheets



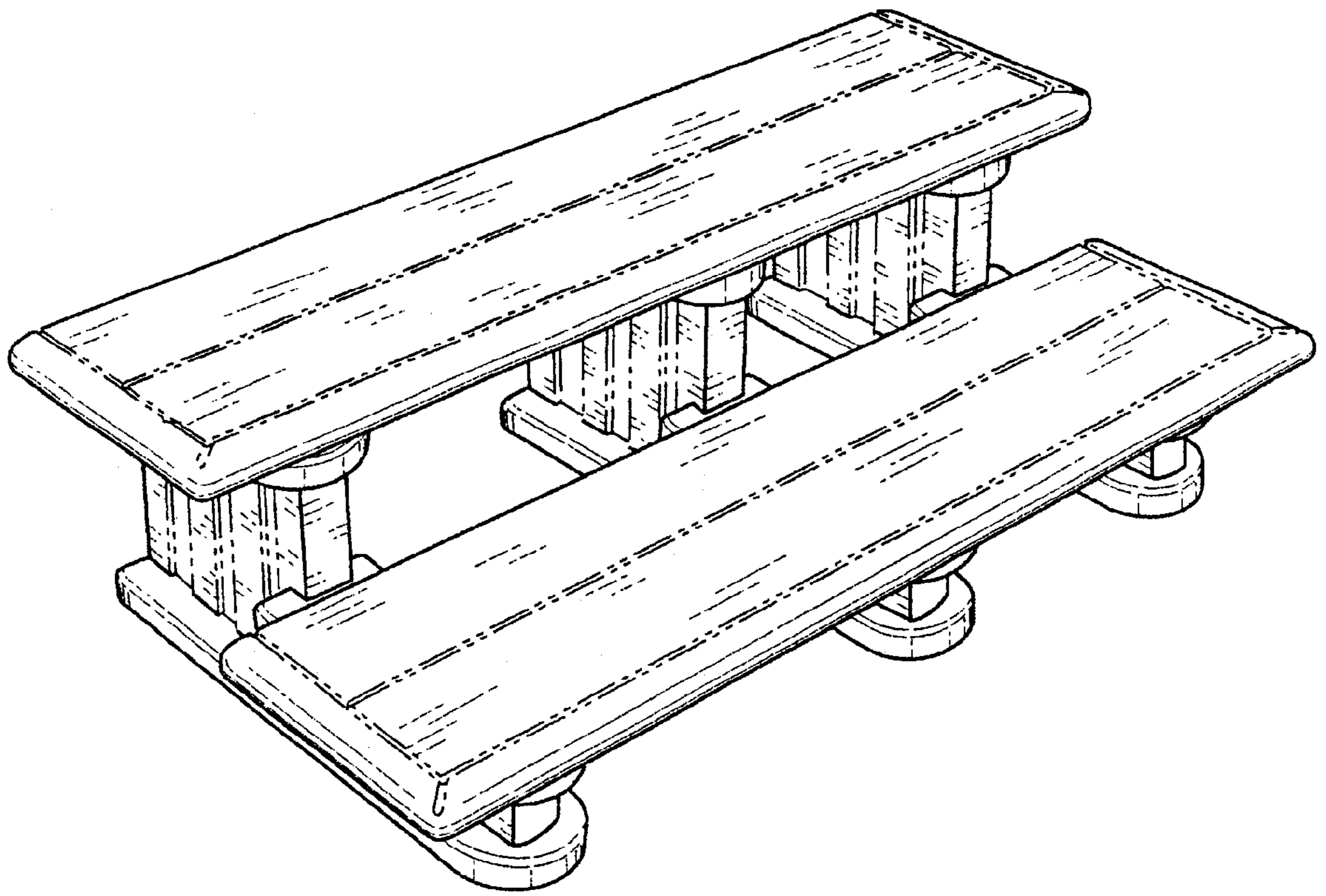


Fig. 1

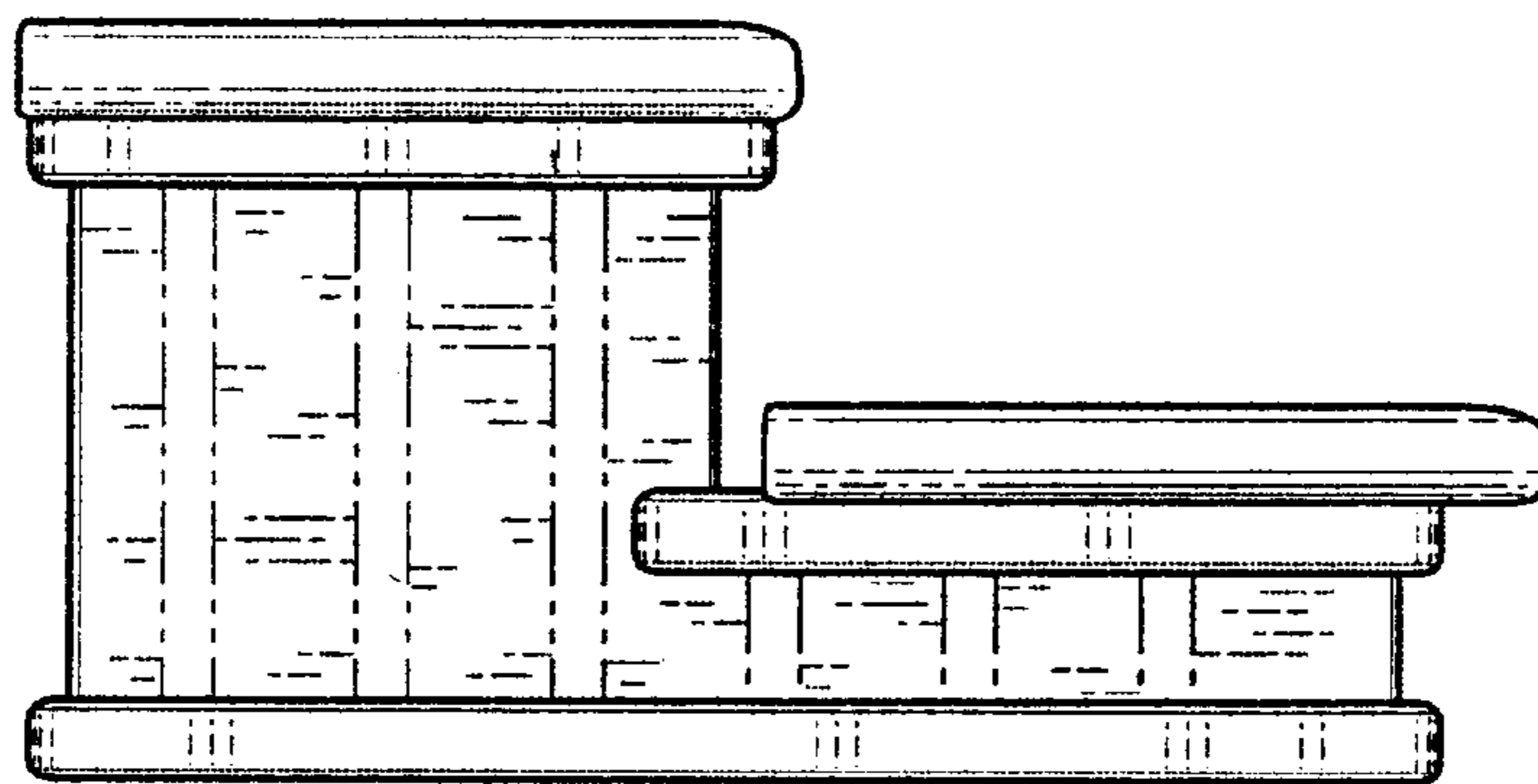


Fig. 2

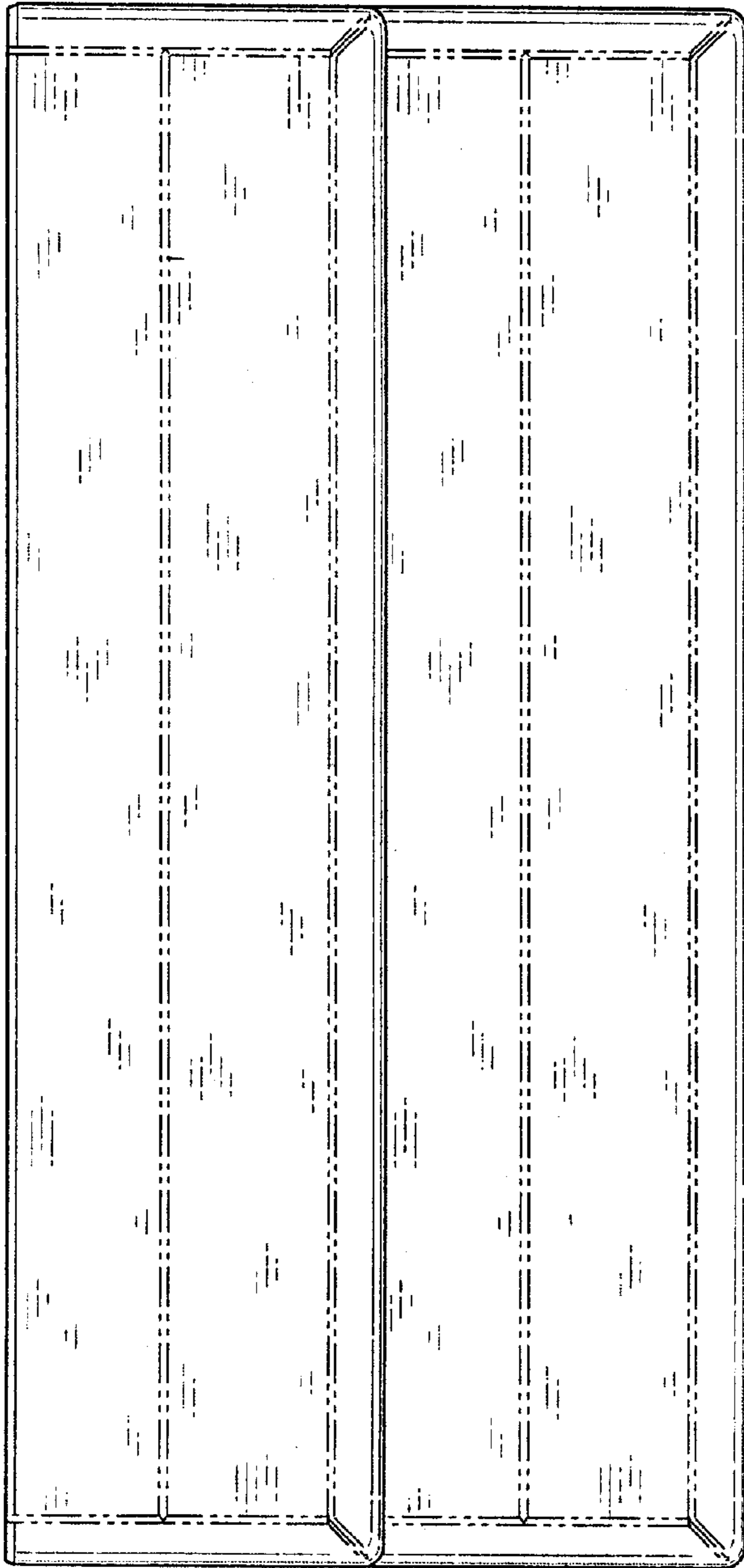


Fig. 3

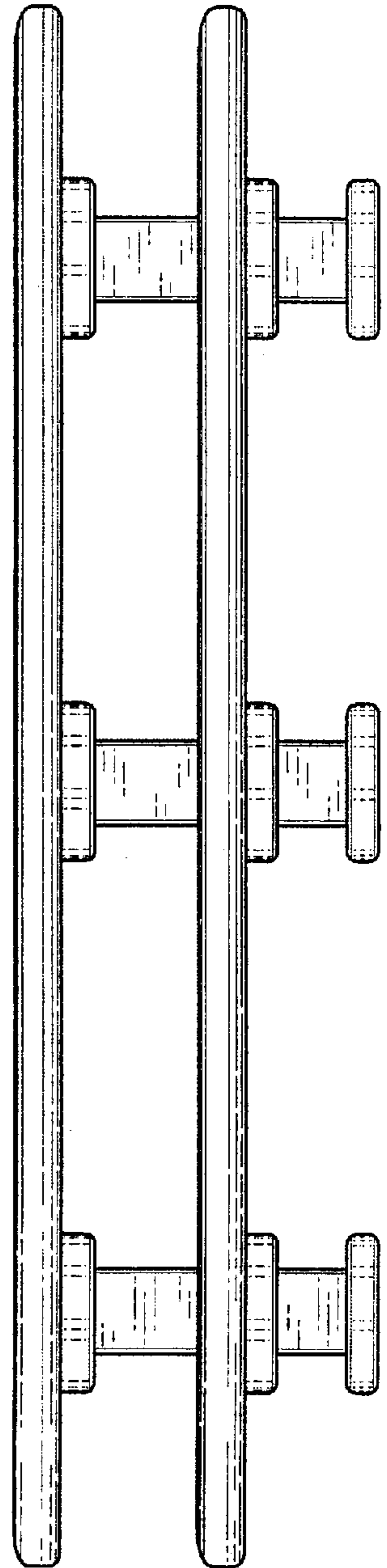


Fig. 4

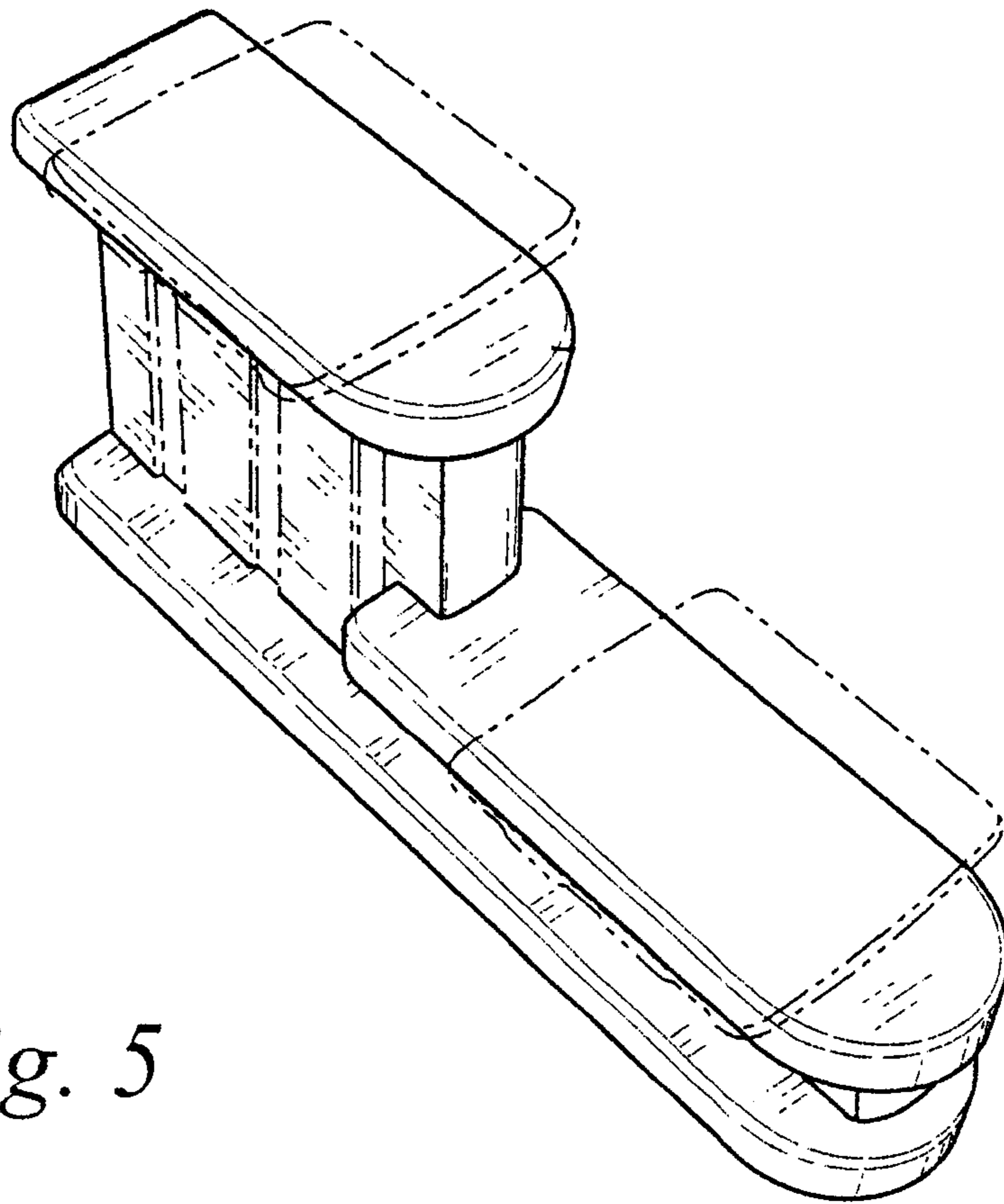


Fig. 5

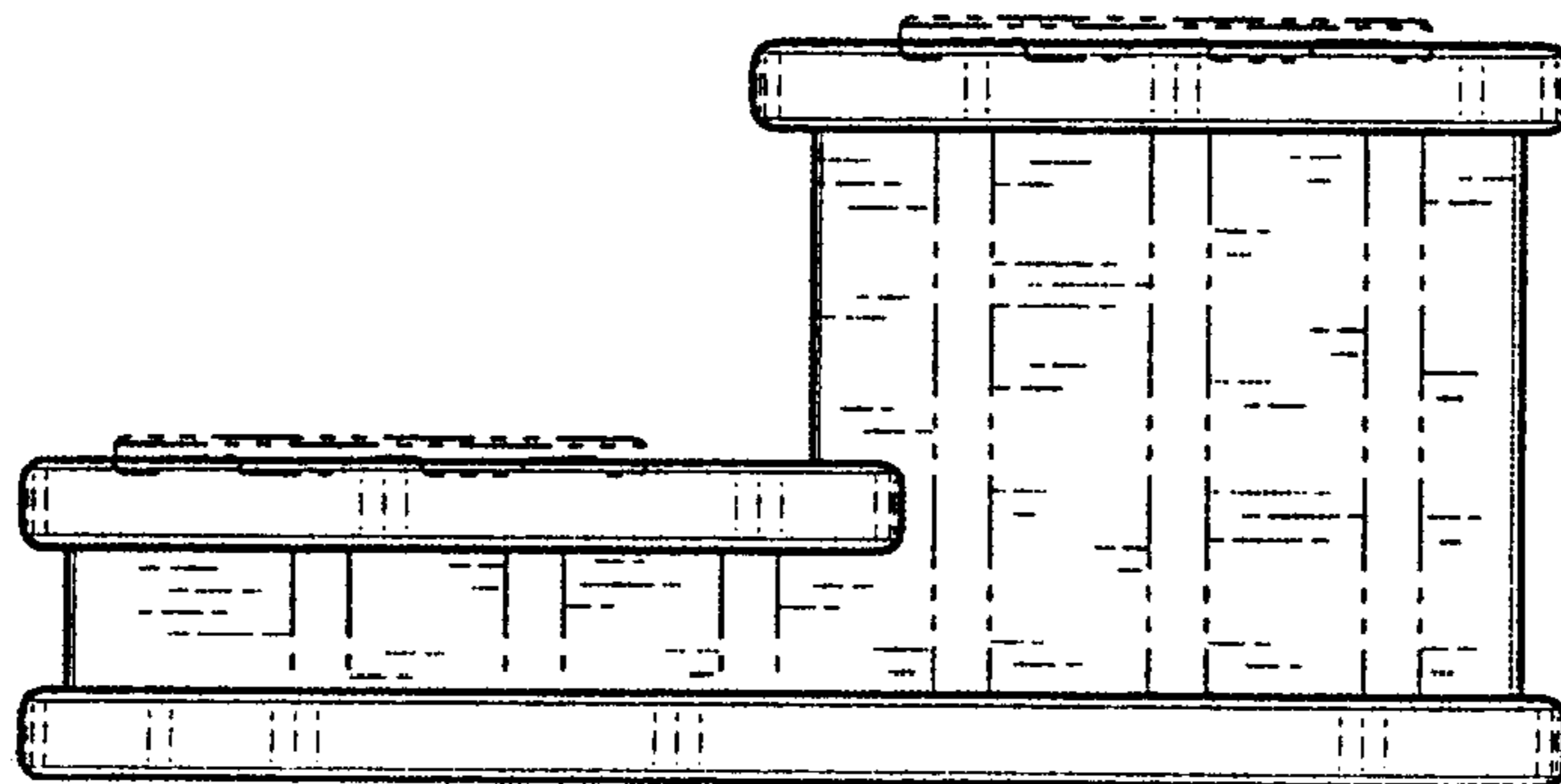


Fig. 6