



US00D485914S

(12) **United States Design Patent**  
**Lucas et al.**

(10) **Patent No.:** **US D485,914 S**

(45) **Date of Patent:** **\*\* Jan. 27, 2004**

(54) **POOL STEP**

(75) Inventors: **Thomas Lucas**, Clifton Park, NY (US);  
**Peter G. Moran, Sr.**, Saratoga Springs,  
NY (US); **Charles R. Elder**, Averill  
Park, NY (US)

(73) Assignee: **Latham Plastics, Inc.**, Scotia, NY (US)

(\*\*) Term: **14 Years**

(21) Appl. No.: **29/180,228**

(22) Filed: **Apr. 21, 2003**

(51) **LOC (7) Cl.** ..... **25-04**

(52) **U.S. Cl.** ..... **D25/63**

(58) **Field of Search** ..... D25/63, 69, 2;  
4/506

(56) **References Cited**

**U.S. PATENT DOCUMENTS**

|             |   |         |               |       |        |
|-------------|---|---------|---------------|-------|--------|
| 3,755,981 A | * | 9/1973  | West          | ..... | 4/506  |
| D265,250 S  | * | 6/1982  | Wallin et al. | ..... | D25/63 |
| D449,117 S  | * | 10/2001 | Wilson        | ..... | D25/63 |

\* cited by examiner

*Primary Examiner*—Doris Clark

(74) *Attorney, Agent, or Firm*—Steinberg & Raskin, P.C.

(57) **CLAIM**

We claim the ornamental design for a pool step, as shown and described.

**DESCRIPTION**

FIG. 1 is a top, front and right side perspective view of a pool step showing our new design, portions thereof being show in broken lines for illustrative and environmental purposes only and the broken lines forming no part of the claimed design;

FIG. 2 is a bottom, rear and left side perspective view thereof;

FIG. 3 is a top plan view thereof;

FIG. 4 is a front view thereof;

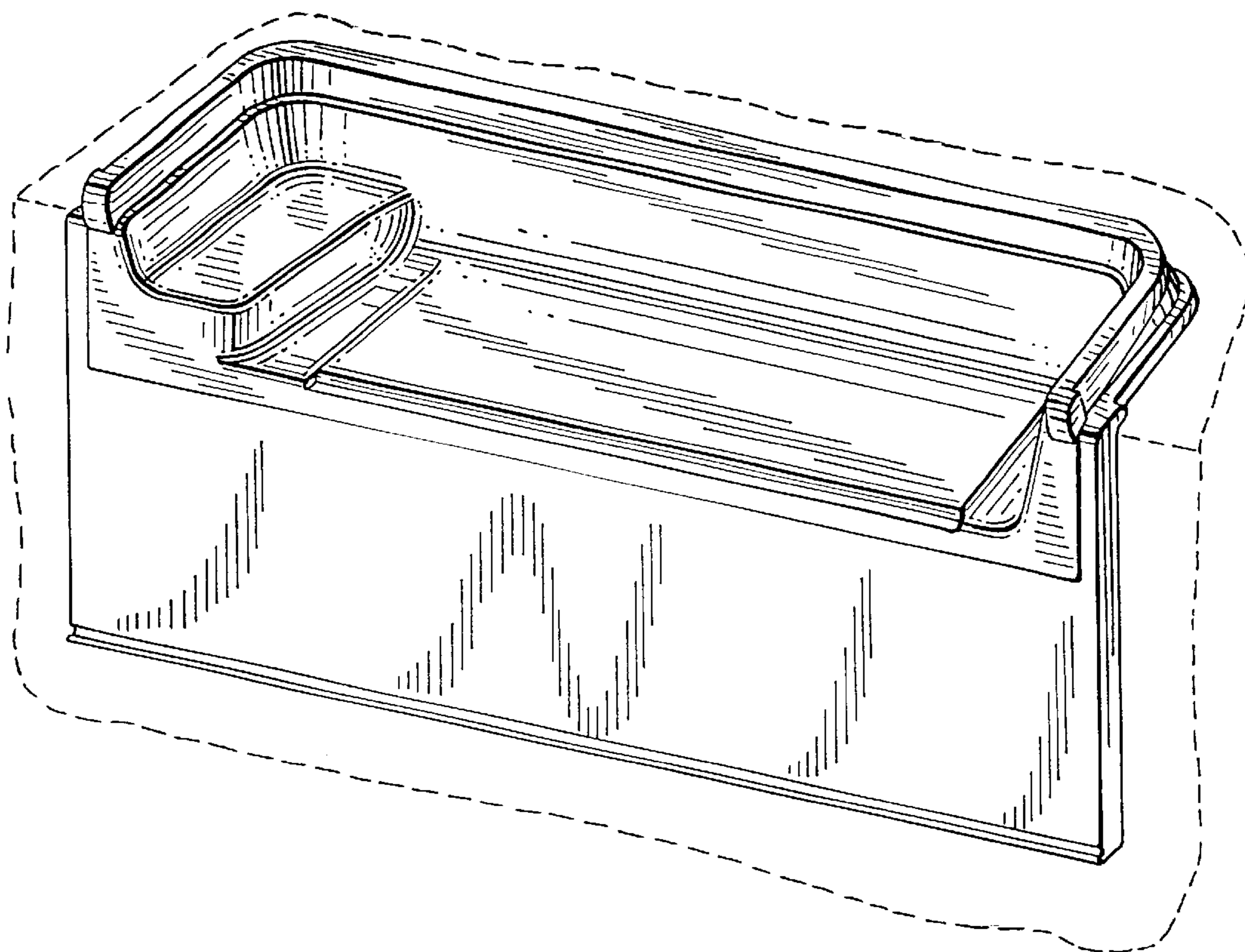
FIG. 5 is a left side view thereof;

FIG. 6 is a right side thereof;

FIG. 7 is a rear plan view thereof; and,

FIG. 8 is a bottom plan view thereof.

**1 Claim, 3 Drawing Sheets**



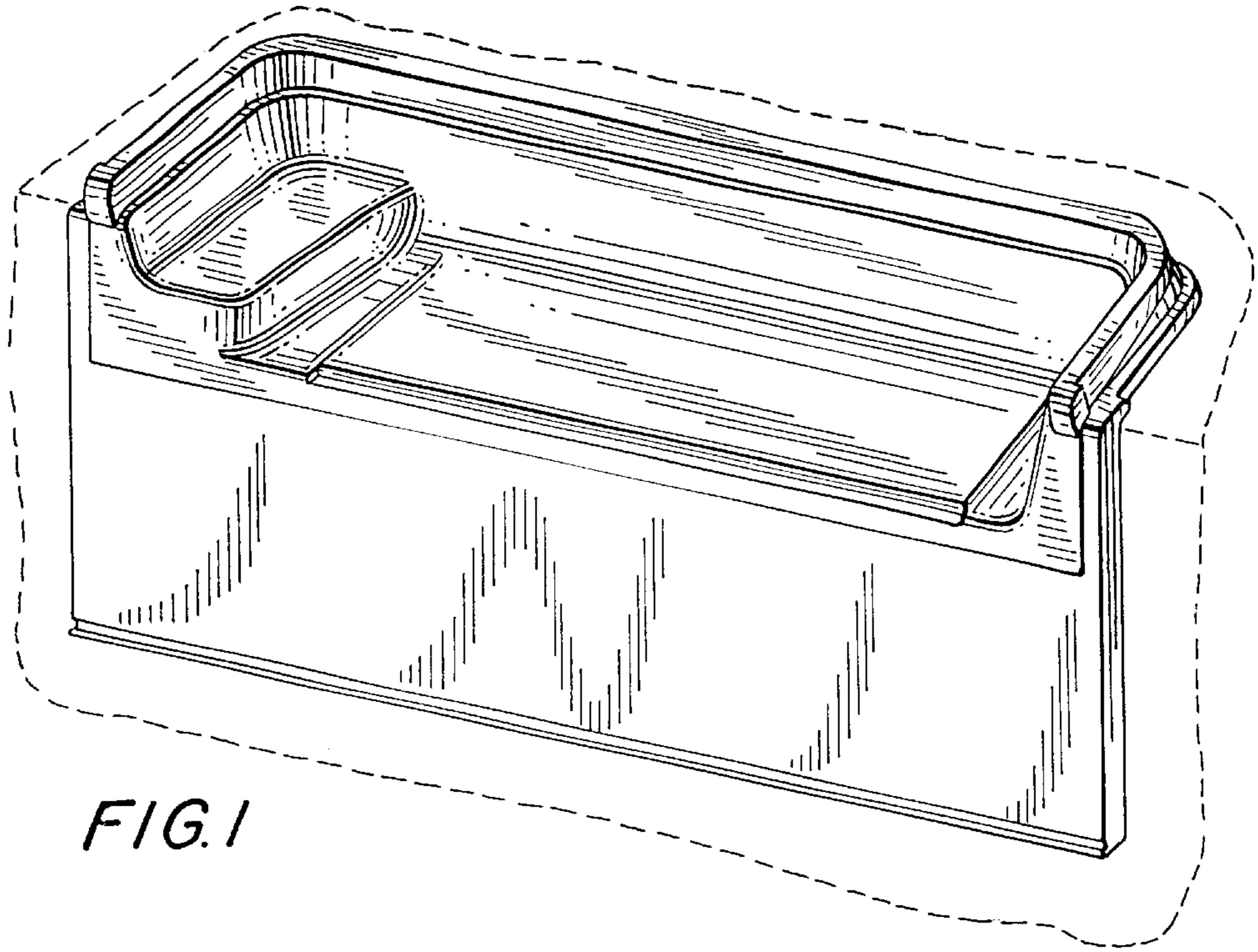


FIG. 1

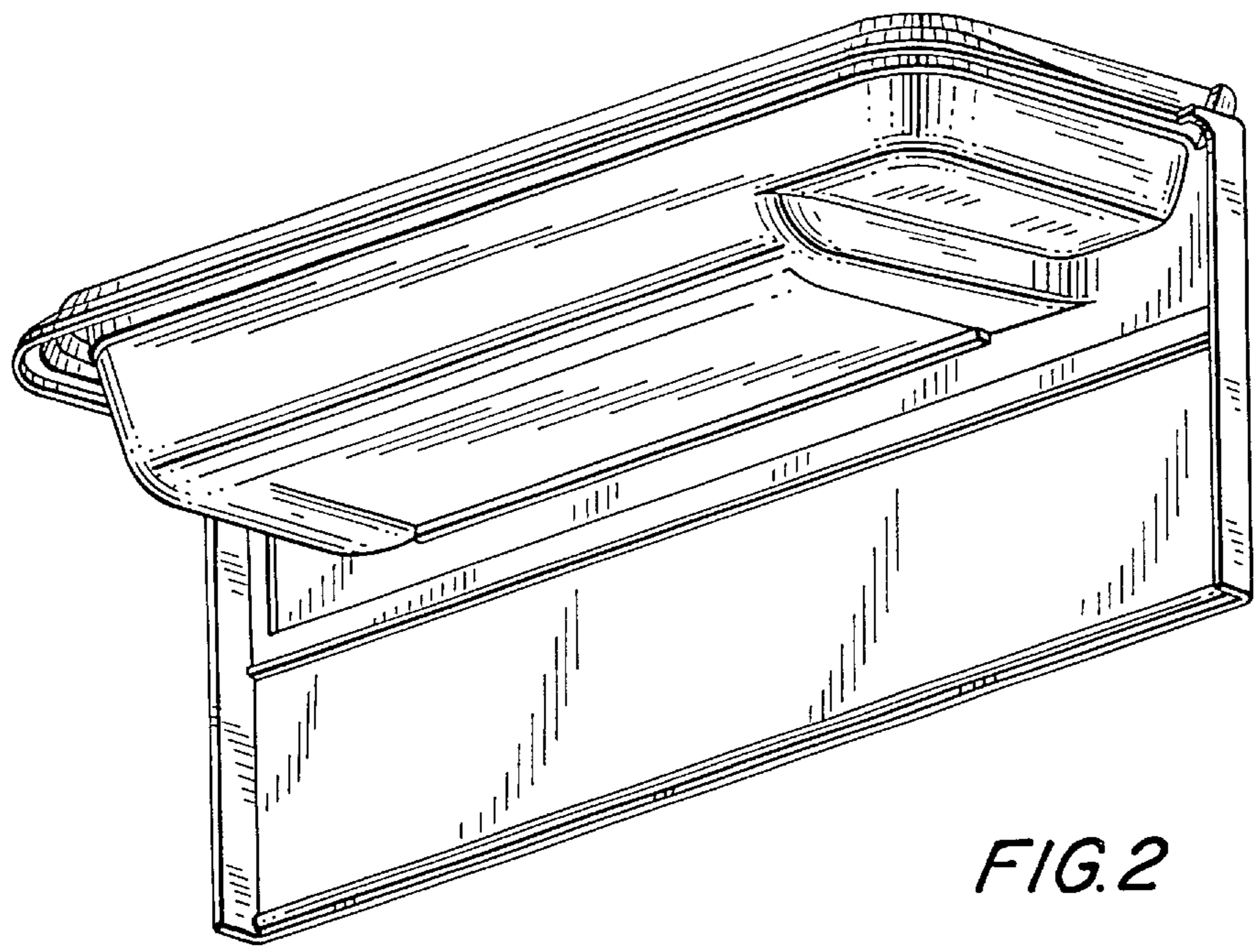


FIG. 2

FIG.3

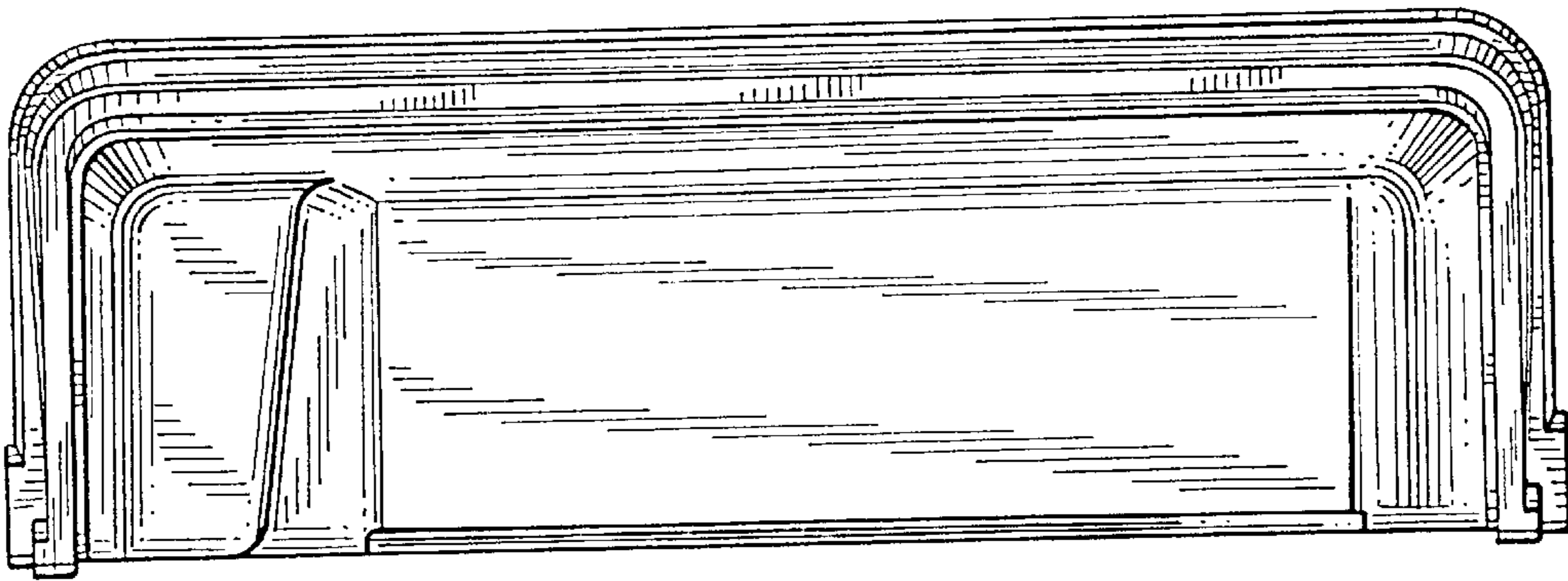


FIG.4

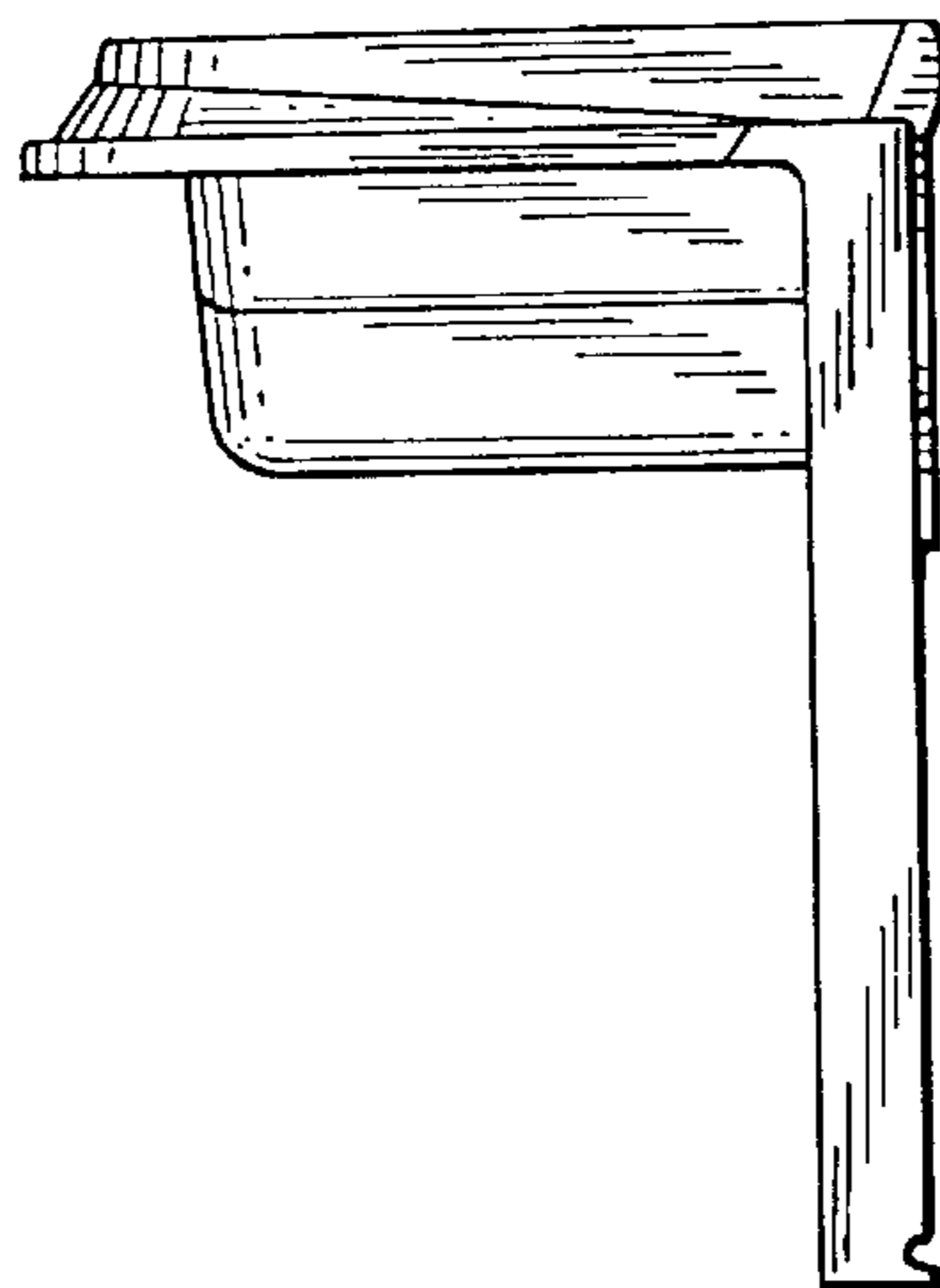
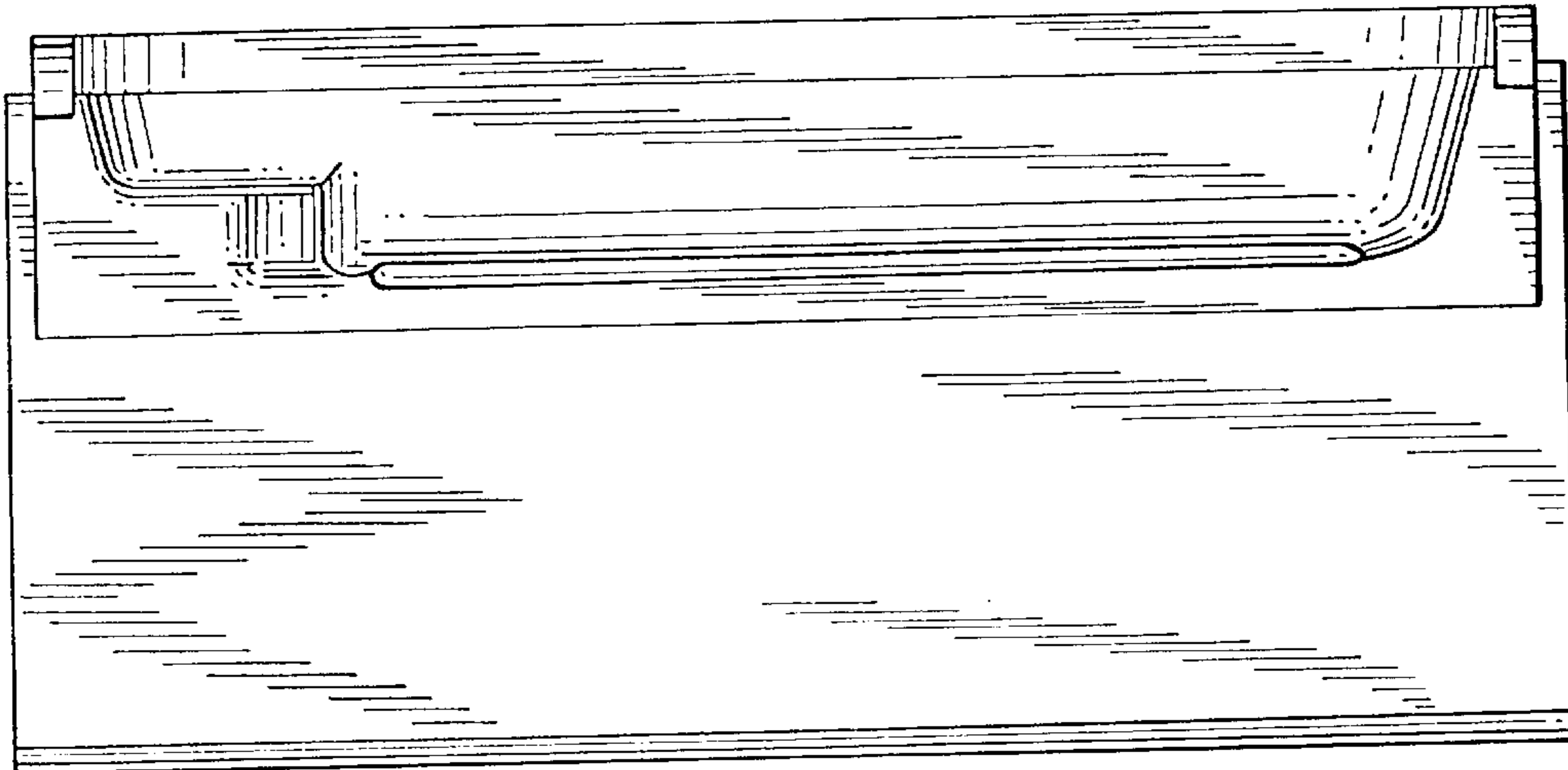


FIG.5

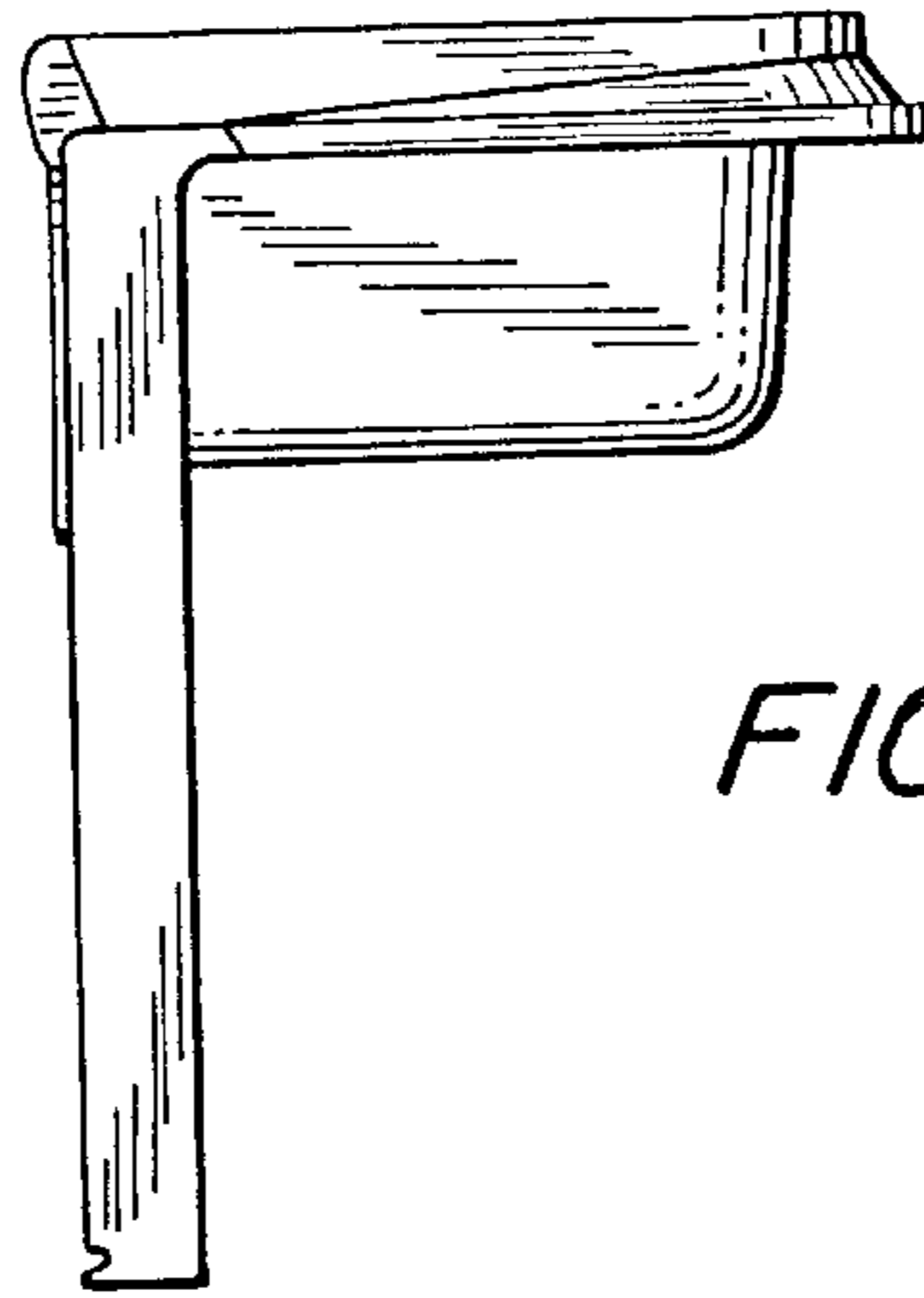


FIG. 6

FIG. 7

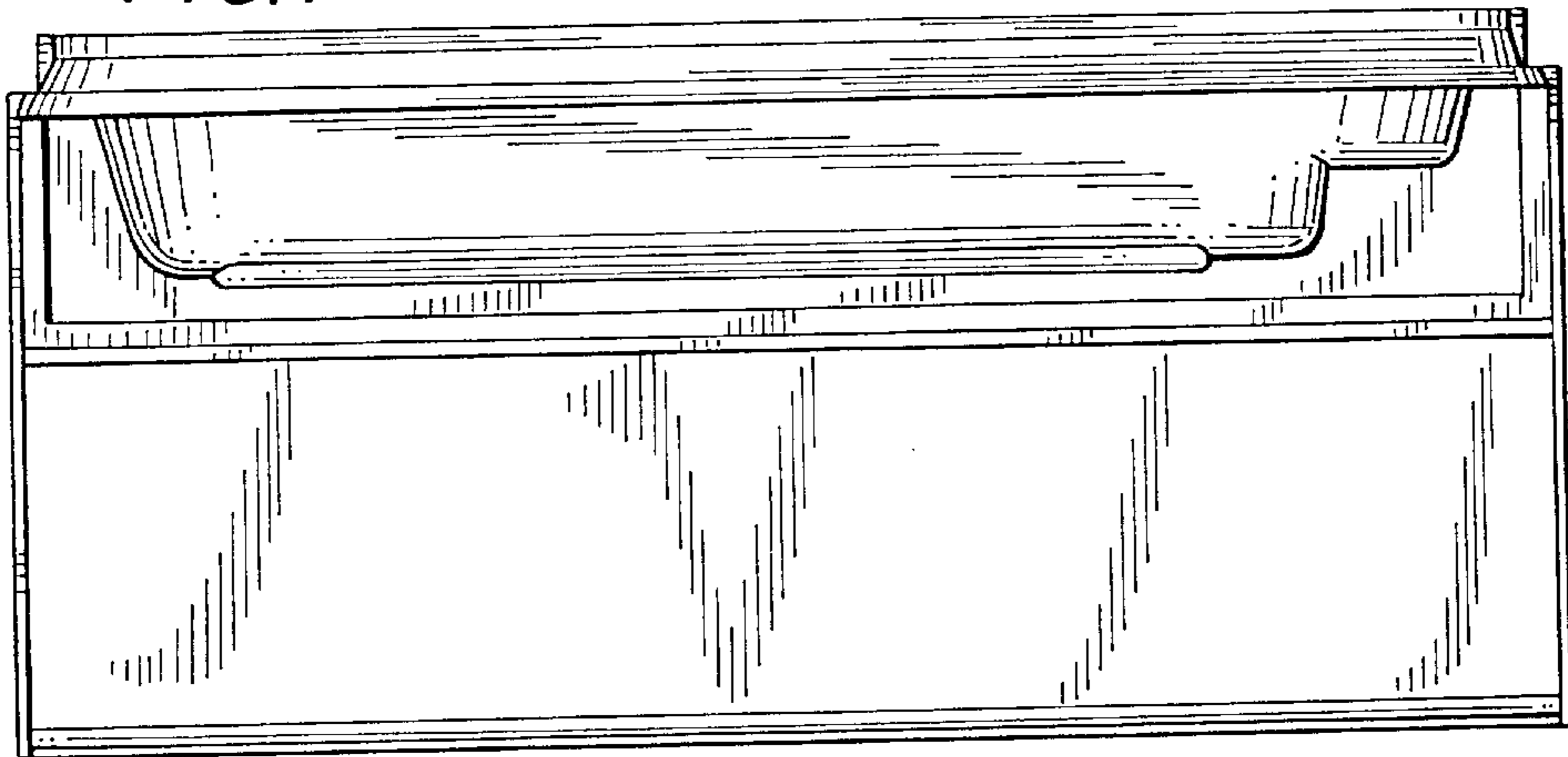


FIG. 8

