



US00D485912S

(12) **United States Design Patent**
Park

(10) **Patent No.:** **US D485,912 S**

(45) **Date of Patent:** **** Jan. 27, 2004**

(54) **TWO PART DOOR FRAME COVER**

(76) **Inventor:** **Dong-Sub Park**, 604-2402 Joonghung
APT, 1054, Jong S dong, Wonmi-gu,
Püchoen, Kyongki (KR), 420-023

(**) **Term:** **14 Years**

(21) **Appl. No.:** **29/113,292**

(22) **Filed:** **Nov. 3, 1999**

(30) **Foreign Application Priority Data**

Mar. 11, 1999 (KR) 99-4693

(51) **LOC (7) Cl.** **25-02**

(52) **U.S. Cl.** **D25/55**

(58) **Field of Search** D25/136, 60, 48,
D25/119, 55; 49/504; 52/204.1

(56) **References Cited**

U.S. PATENT DOCUMENTS

5,182,880 A * 2/1993 Gerge, Jr. et al. 49/504
D338,536 S * 8/1993 Gifford, Sr. D25/119

5,249,399 A * 10/1993 Aulson 52/211
D367,538 S * 2/1996 Varin D25/119
5,799,443 A * 9/1998 Koeniguer 49/383
D404,834 S * 1/1999 Illadis D25/55

* cited by examiner

Primary Examiner—Doris Clark

(74) *Attorney, Agent, or Firm*—Robert Halpev

(57) **CLAIM**

The ornamental design of a two part door frame cover, as shown and described.

DESCRIPTION

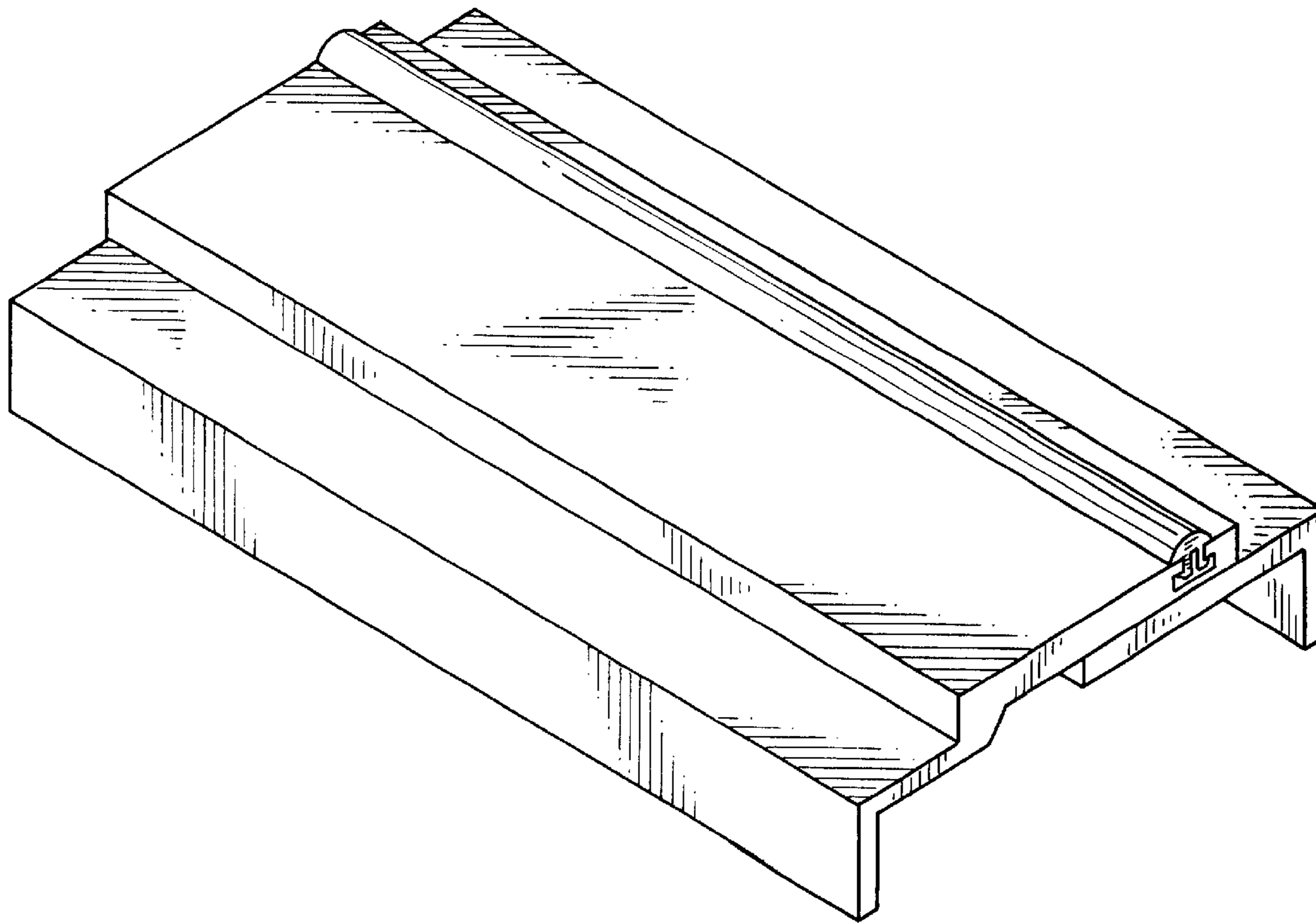
FIG. 1 is a perspective view of a two part door frame cover showing my new design.

FIG. 2 is an end view thereof.

FIG. 3 is a top plan view thereof; and,

FIG. 4 is an end view showing the two part door frame cover, the door frame and a wall section, the door frame and wall section being in broken lines for illustrative purposes only and form no part of the claimed design.

1 Claim, 2 Drawing Sheets



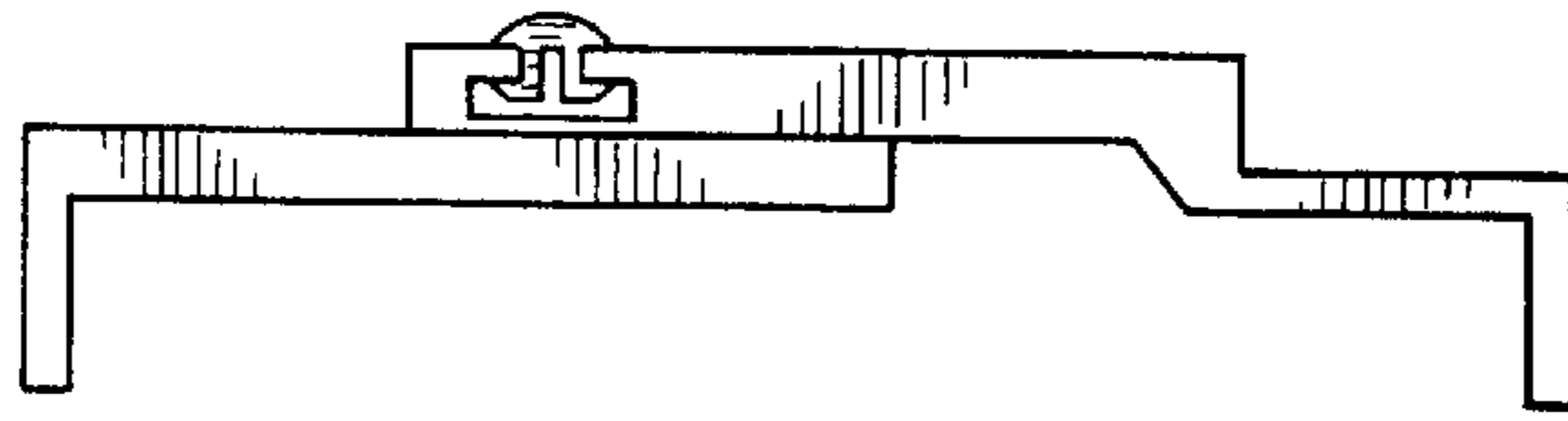


FIG. 2

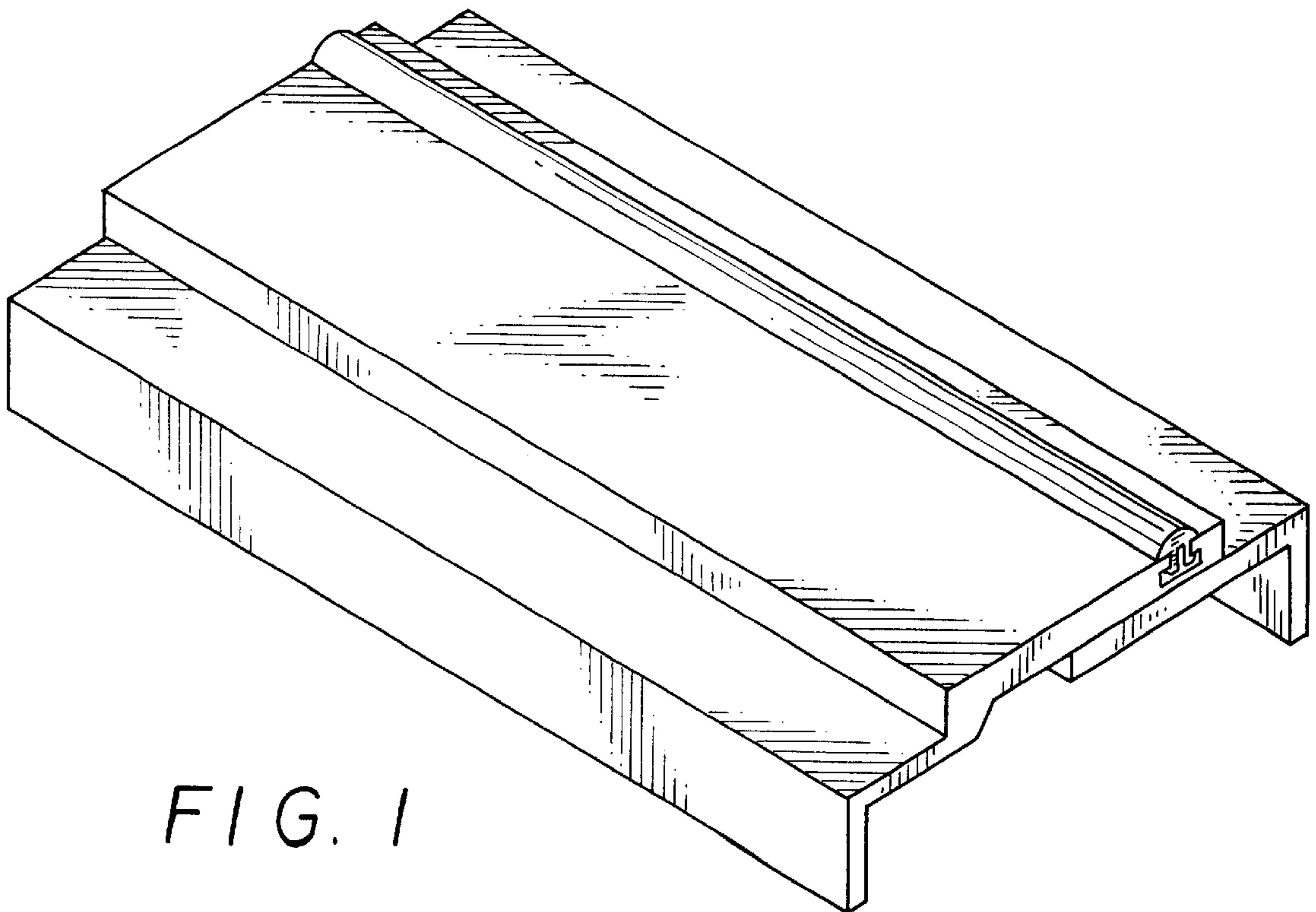


FIG. 1

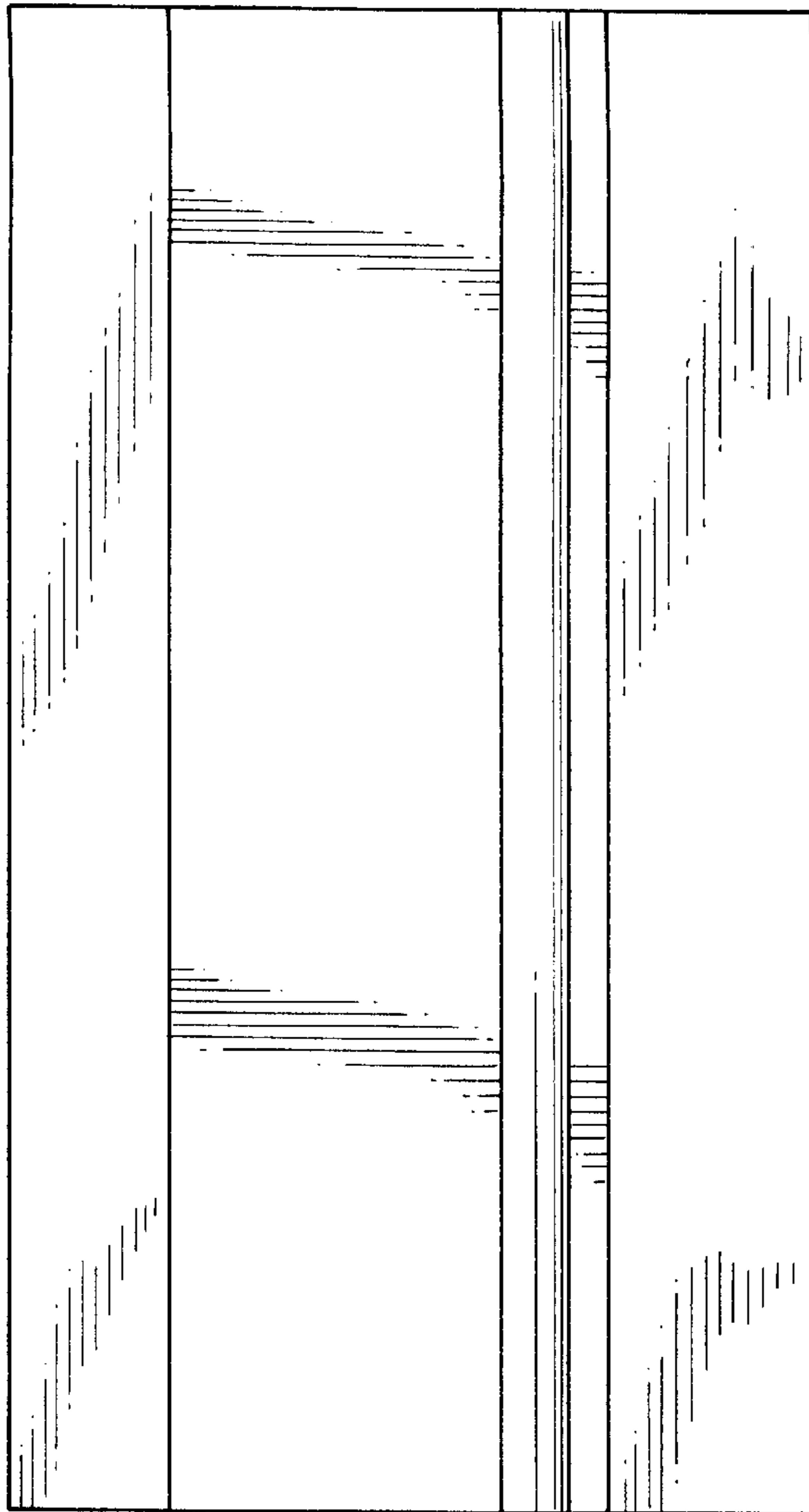


FIG. 3

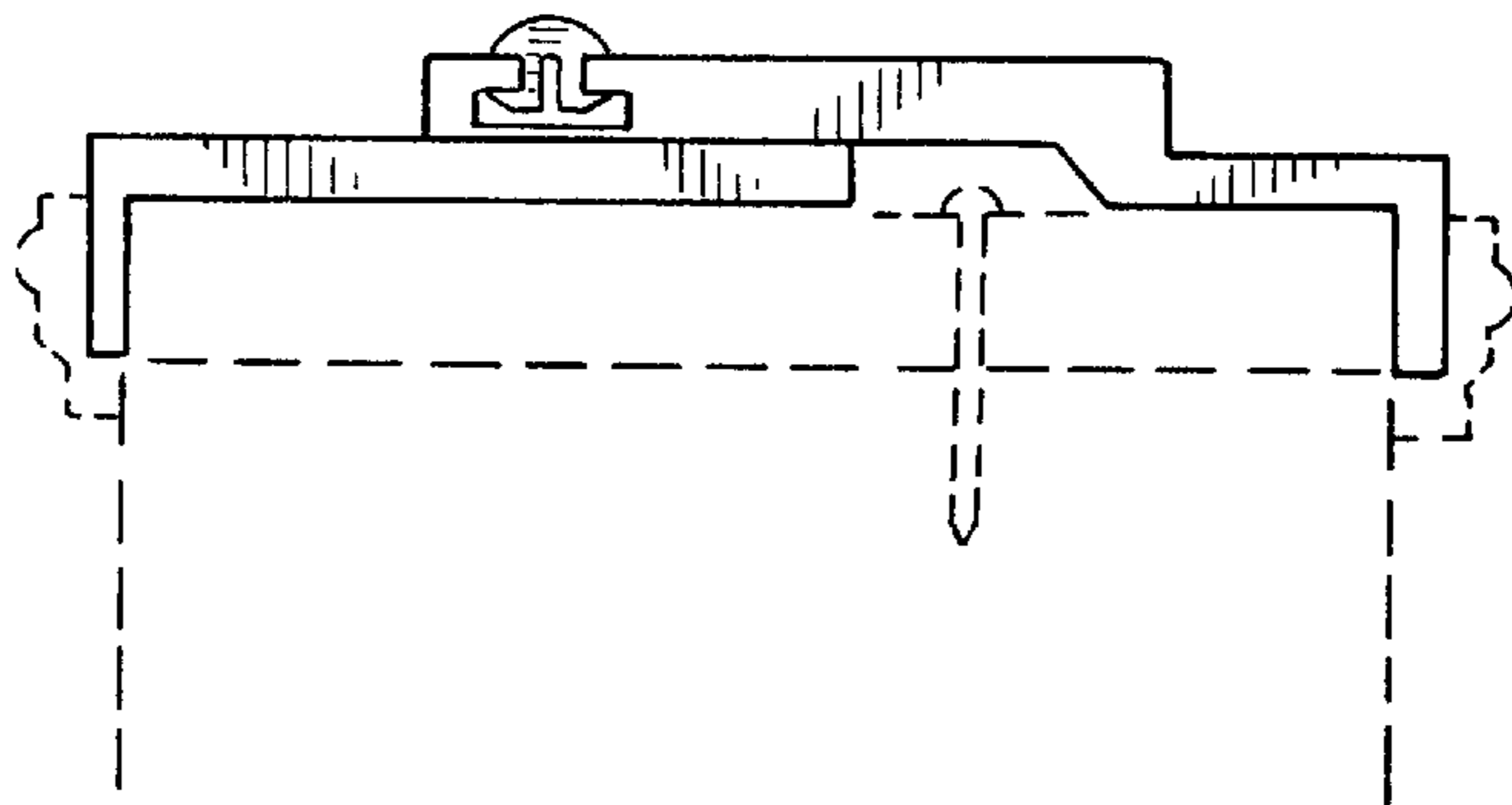


FIG. 4